



US00D636072S

(12) **United States Design Patent**
Silver

(10) **Patent No.:** **US D636,072 S**

(45) **Date of Patent:** **** Apr. 12, 2011**

(54) **MANUAL BREASTPUMP**

(75) **Inventor:** **Brian H. Silver**, Cary, IL (US)

(73) **Assignee:** **Medela Holding AG**, Baar (CH)

(**) **Term:** **14 Years**

(21) **Appl. No.:** **29/358,292**

(22) **Filed:** **Mar. 25, 2010**

D500,551	S *	1/2005	Lantz et al.	D24/109
7,413,557	B2 *	8/2008	Samson et al.	604/74
7,479,125	B2 *	1/2009	Tashiro	604/74
D609,331	S *	2/2010	Paterson et al.	D24/109
7,713,230	B2 *	5/2010	Kataoka et al.	604/74
2003/0191432	A1 *	10/2003	Silver	604/74

FOREIGN PATENT DOCUMENTS

WO	0147577	A2	7/2001
WO	0147577	A3	7/2001
WO	03013628	A1	2/2003
WO	2004000390	A1	12/2003

* cited by examiner

Related U.S. Application Data

(62) Division of application No. 10/424,887, filed on Apr. 28, 2003, now Pat. No. 7,727,182.

(51) **LOC (9) Cl.** **24-01**

(52) **U.S. Cl.** **D24/109**

(58) **Field of Classification Search** D24/106-109;
604/74, 73, 76

See application file for complete search history.

Primary Examiner — Ian Simmons

Assistant Examiner — Charles D Hanson

(74) *Attorney, Agent, or Firm* — McDonnell Boehnen Hulbert & Berghoff LLP

(57) **CLAIM**

The ornamental design for a manual breastpump, as shown and described.

DESCRIPTION

FIG. 1 is a perspective view of the breastpump of the present design positioned on a container;

FIG. 2 is a side view thereof;

FIG. 3 is a perspective view of the breastpump;

FIG. 4 is a front view thereof;

FIG. 5 is a rear view thereof;

FIG. 6 is the other side view thereof;

FIG. 7 is a top view thereof; and,

FIG. 8 is a bottom view thereof.

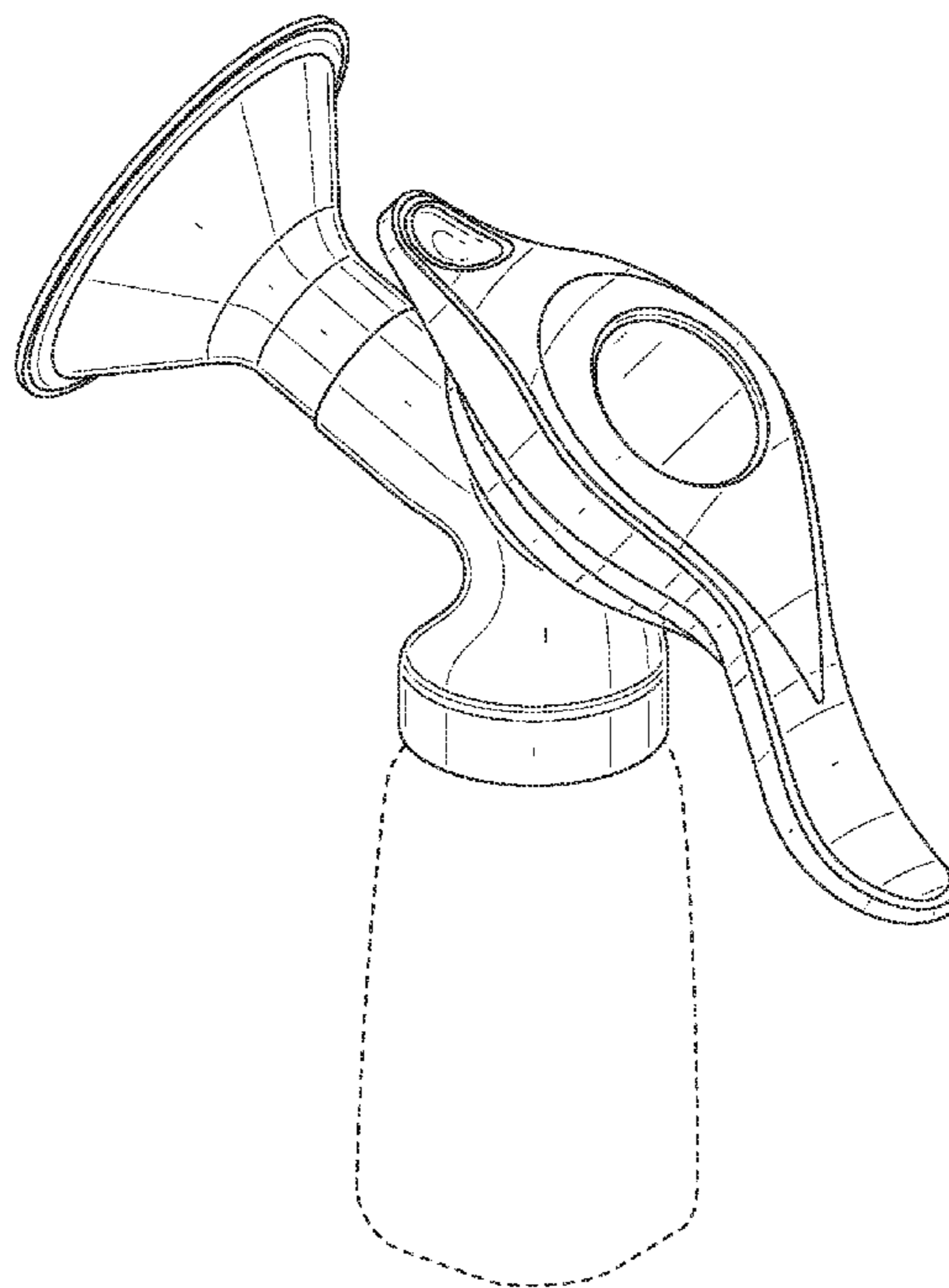
The broken line portions of the drawings are for illustrative purposes only and form no part of the claimed design.

(56) **References Cited**

U.S. PATENT DOCUMENTS

37,677	A	2/1863	Colrin	
4,583,970	A	4/1986	Kirchner	
4,813,932	A *	3/1989	Hobbs 604/74
4,857,051	A	8/1989	Larsson	
4,929,229	A	5/1990	Larsson	
D326,516	S *	5/1992	Chambers D24/109
5,749,850	A *	5/1998	Williams et al. 604/74
5,843,029	A	12/1998	Bachman et al.	
6,110,140	A	8/2000	Silver	
6,547,756	B1	4/2003	Greter et al.	
6,689,073	B2	2/2004	Quay	
6,749,582	B2 *	6/2004	Britto et al. 604/74
D496,097	S *	9/2004	Rosnak et al. D24/109

1 Claim, 8 Drawing Sheets



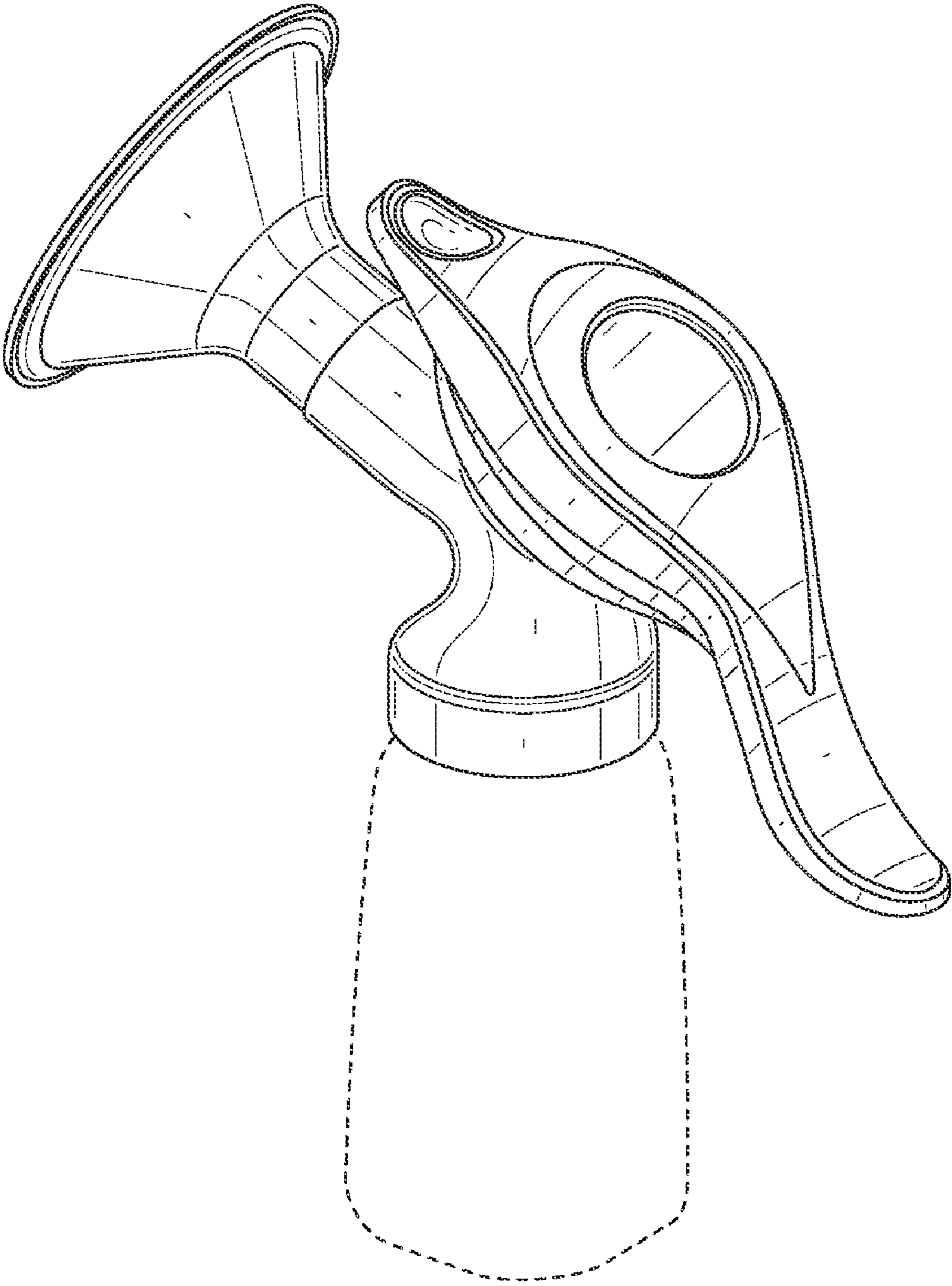


FIG. 1

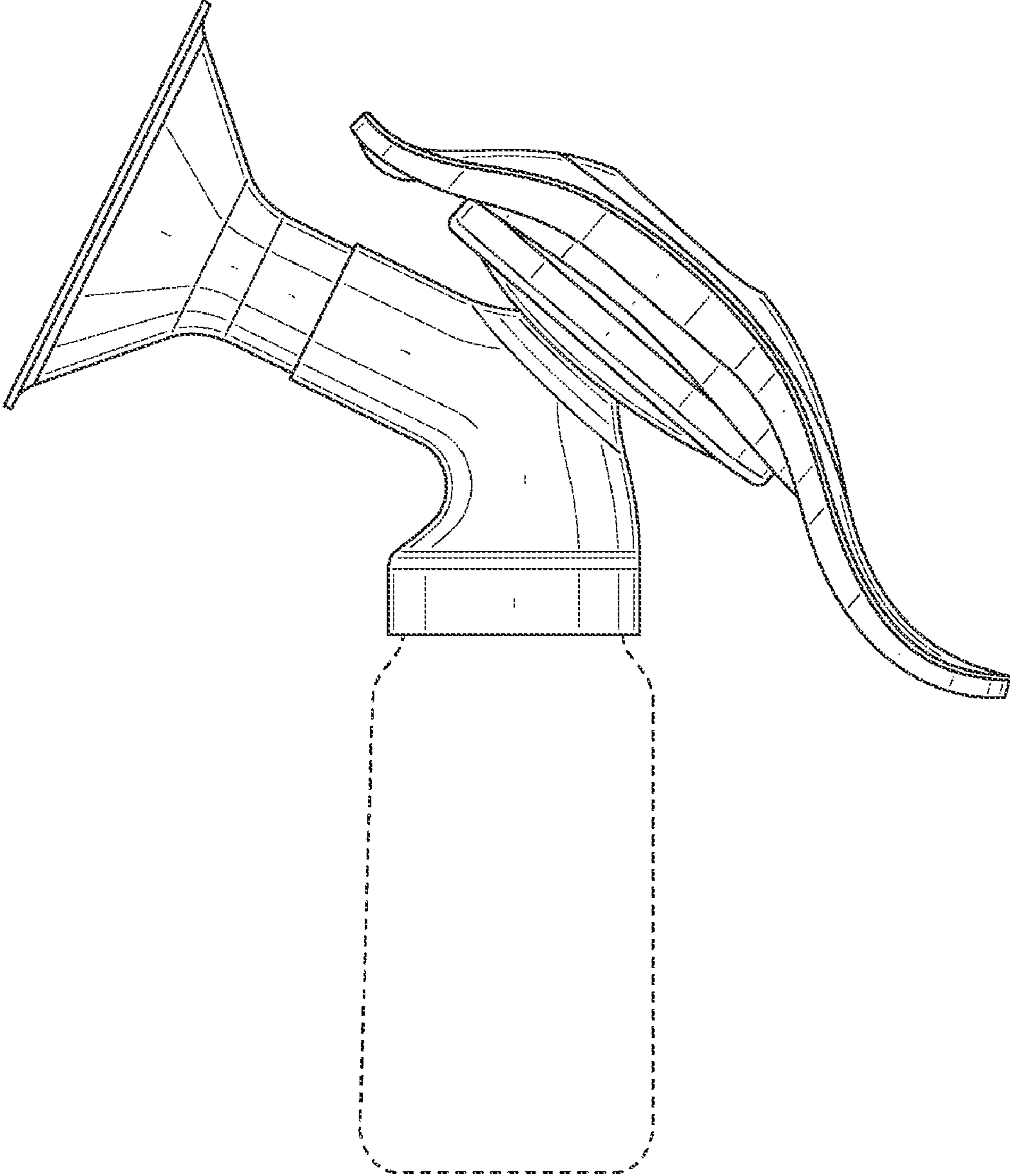


FIG. 2

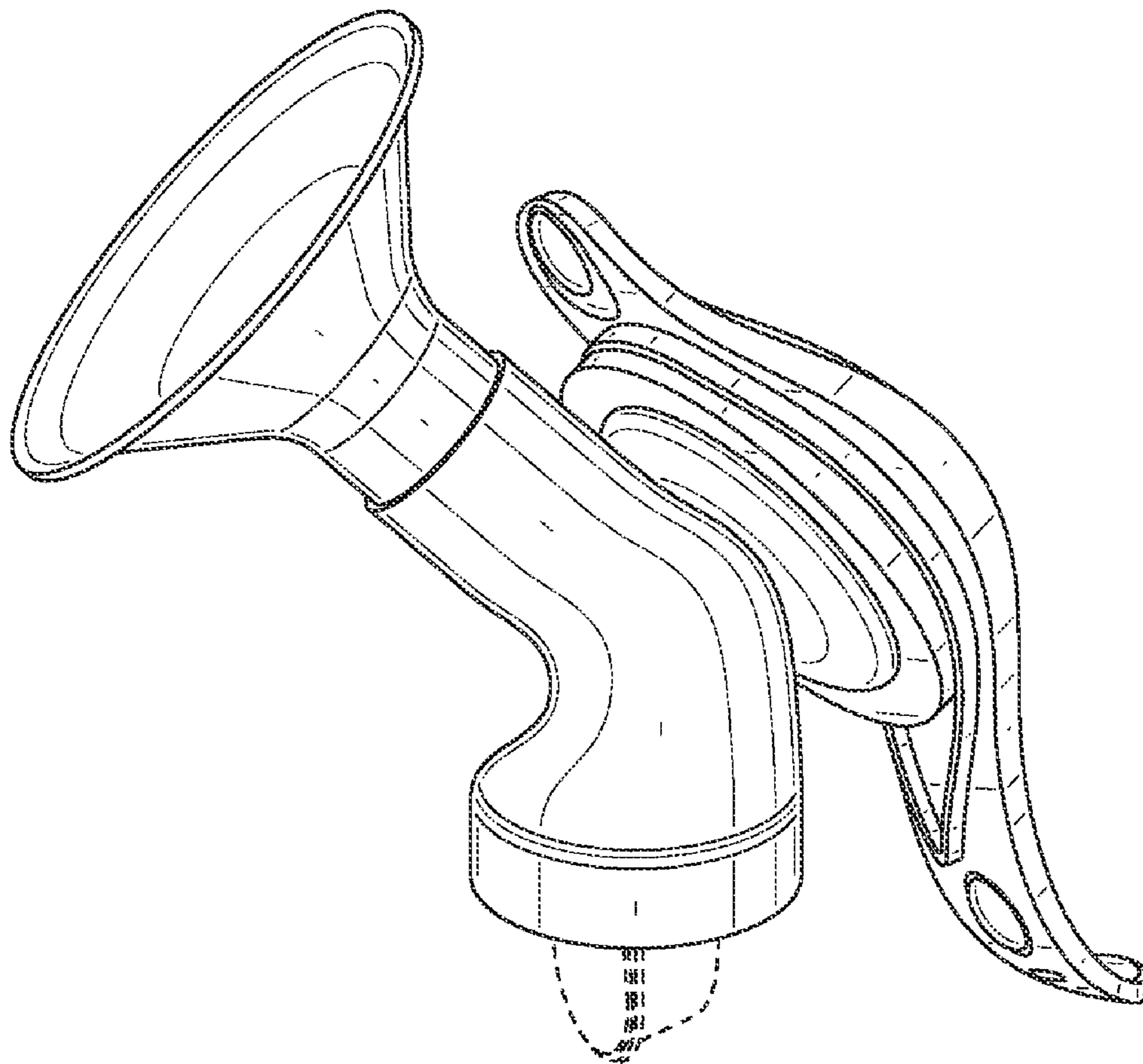


FIG. 3

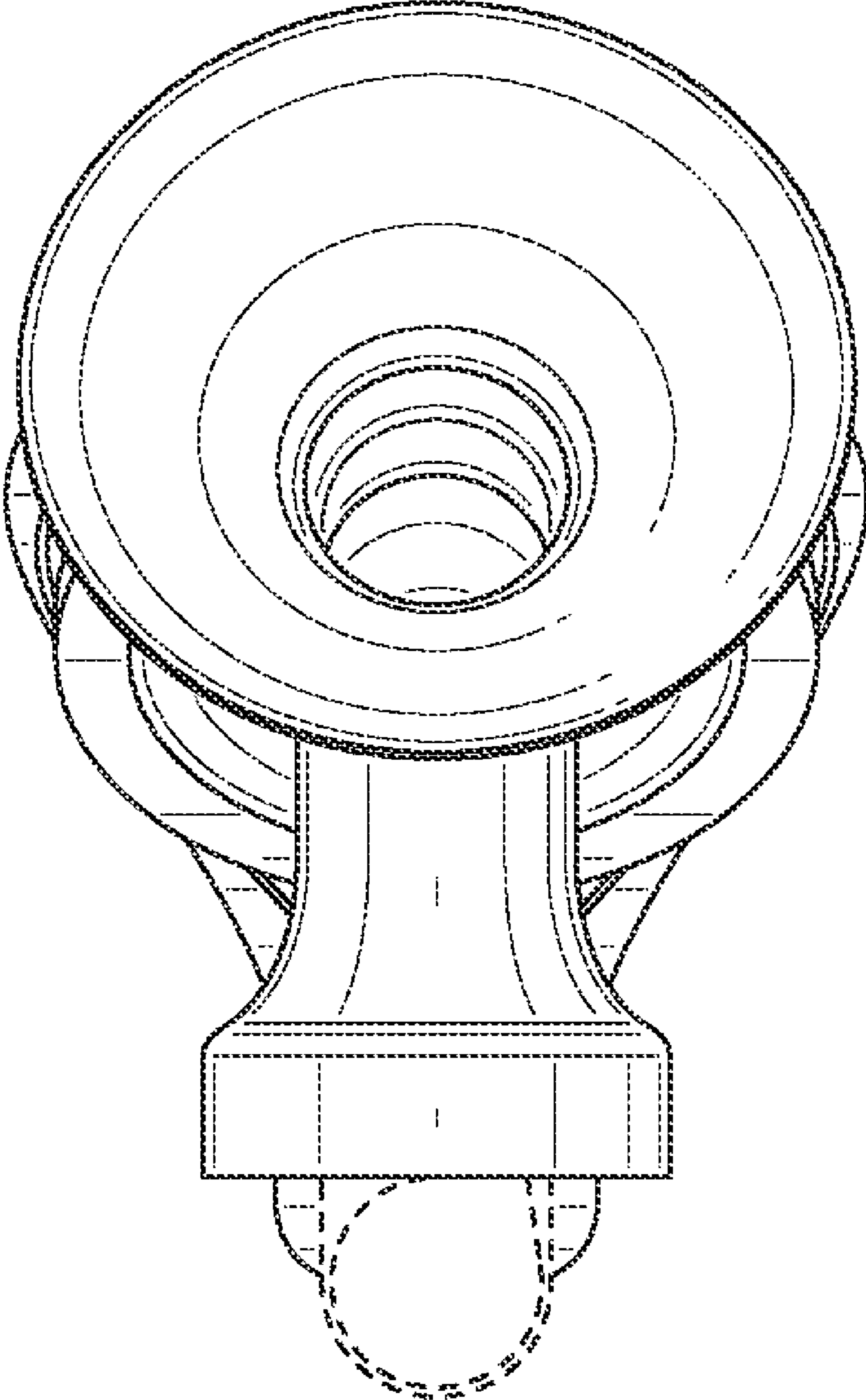


FIG. 4

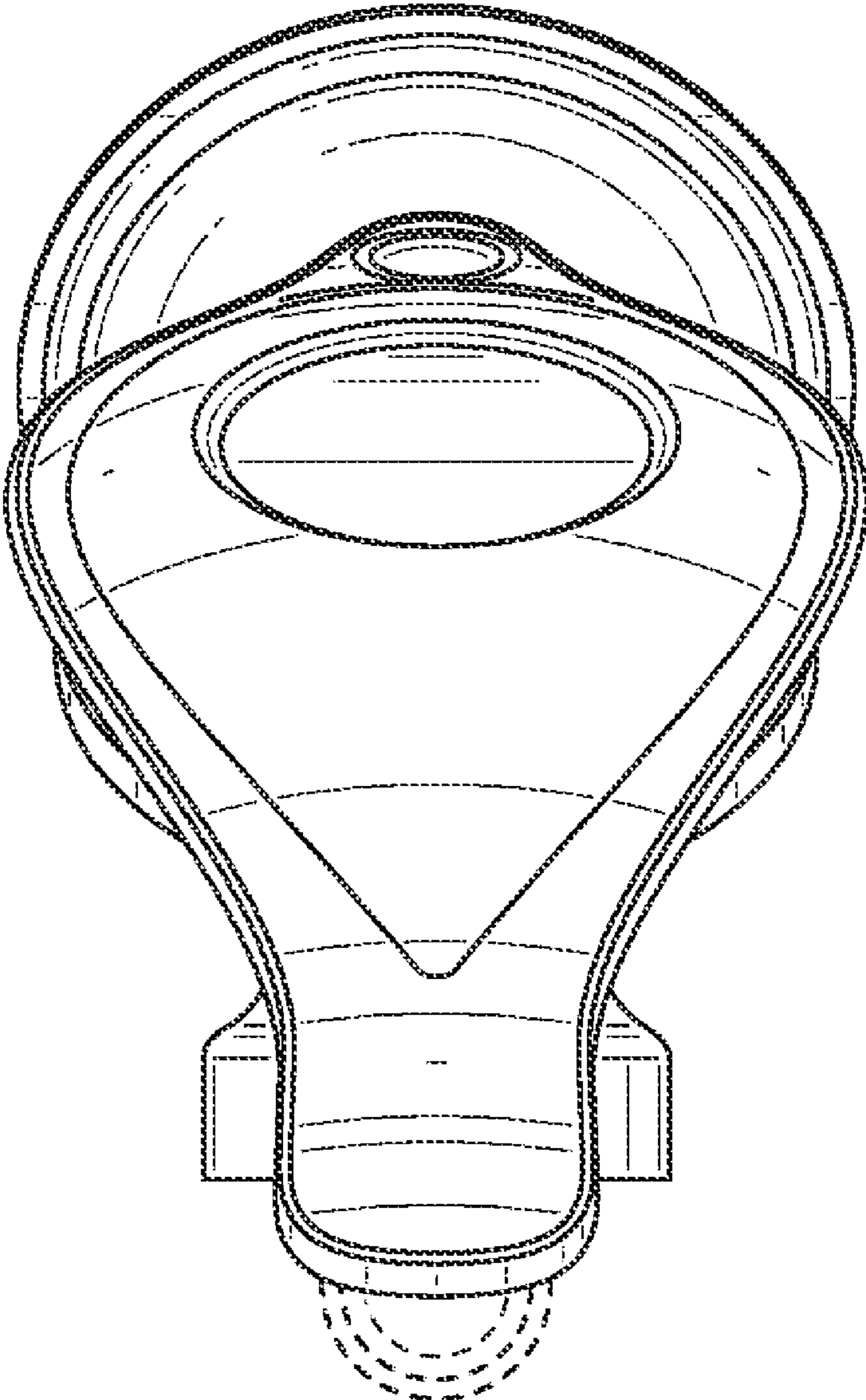


FIG. 5

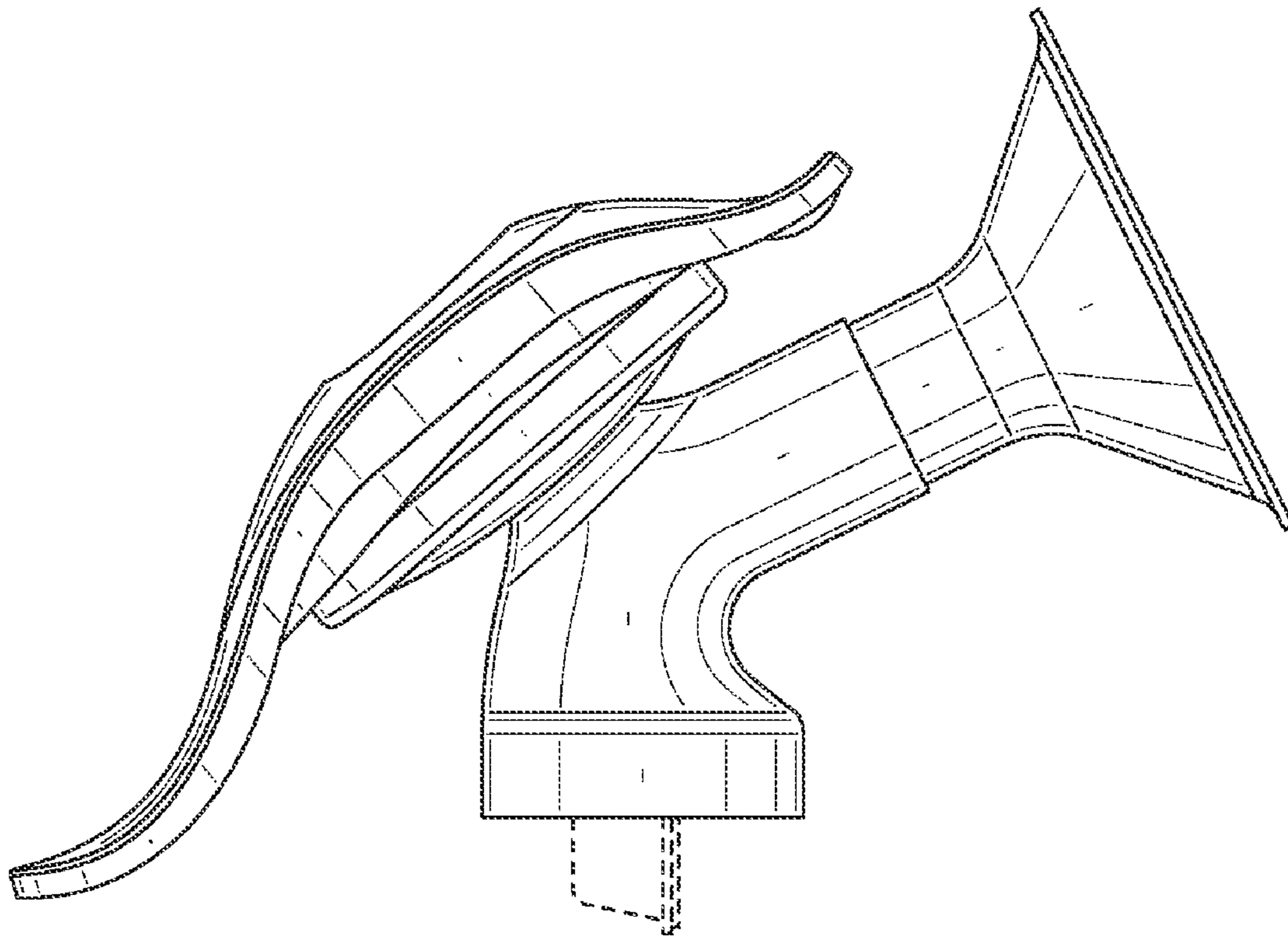


FIG. 6

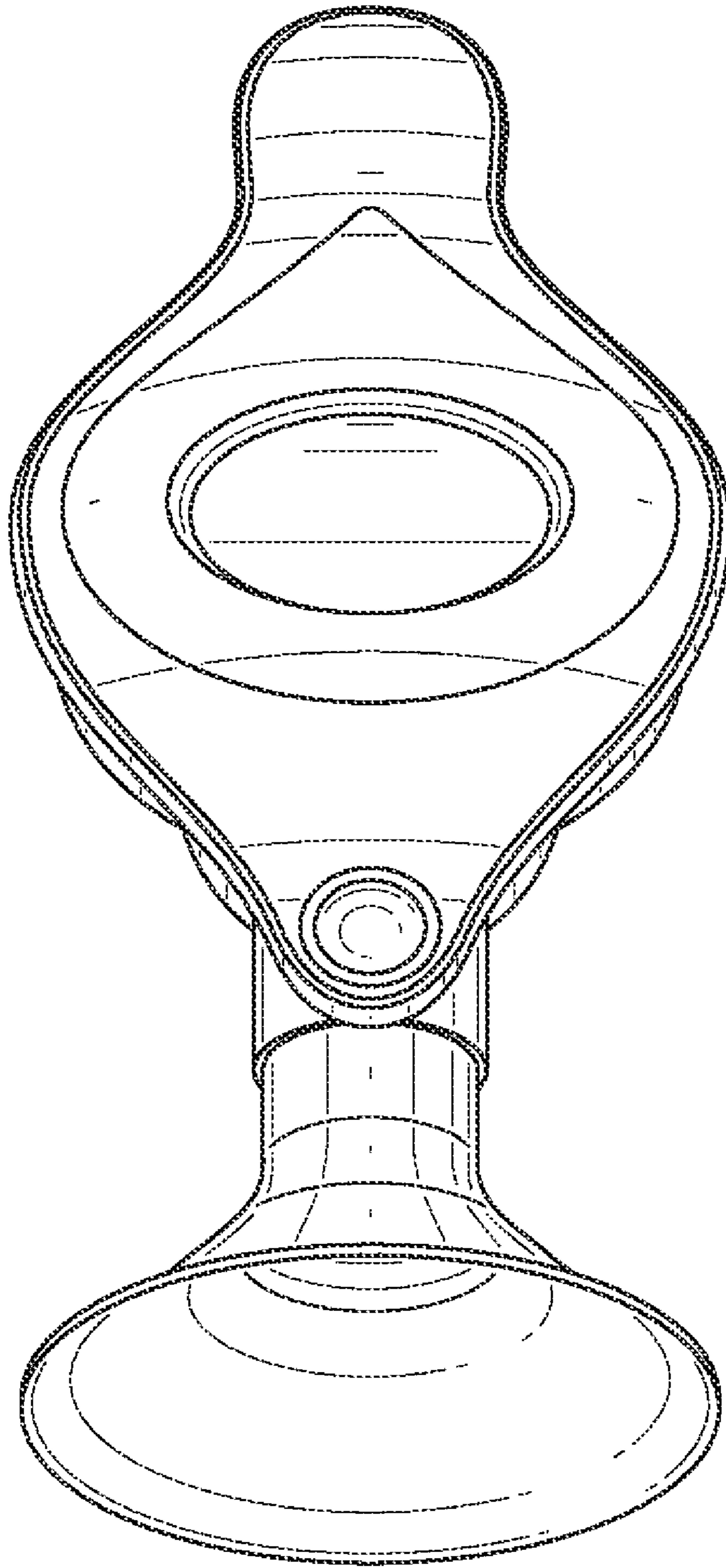


FIG. 7

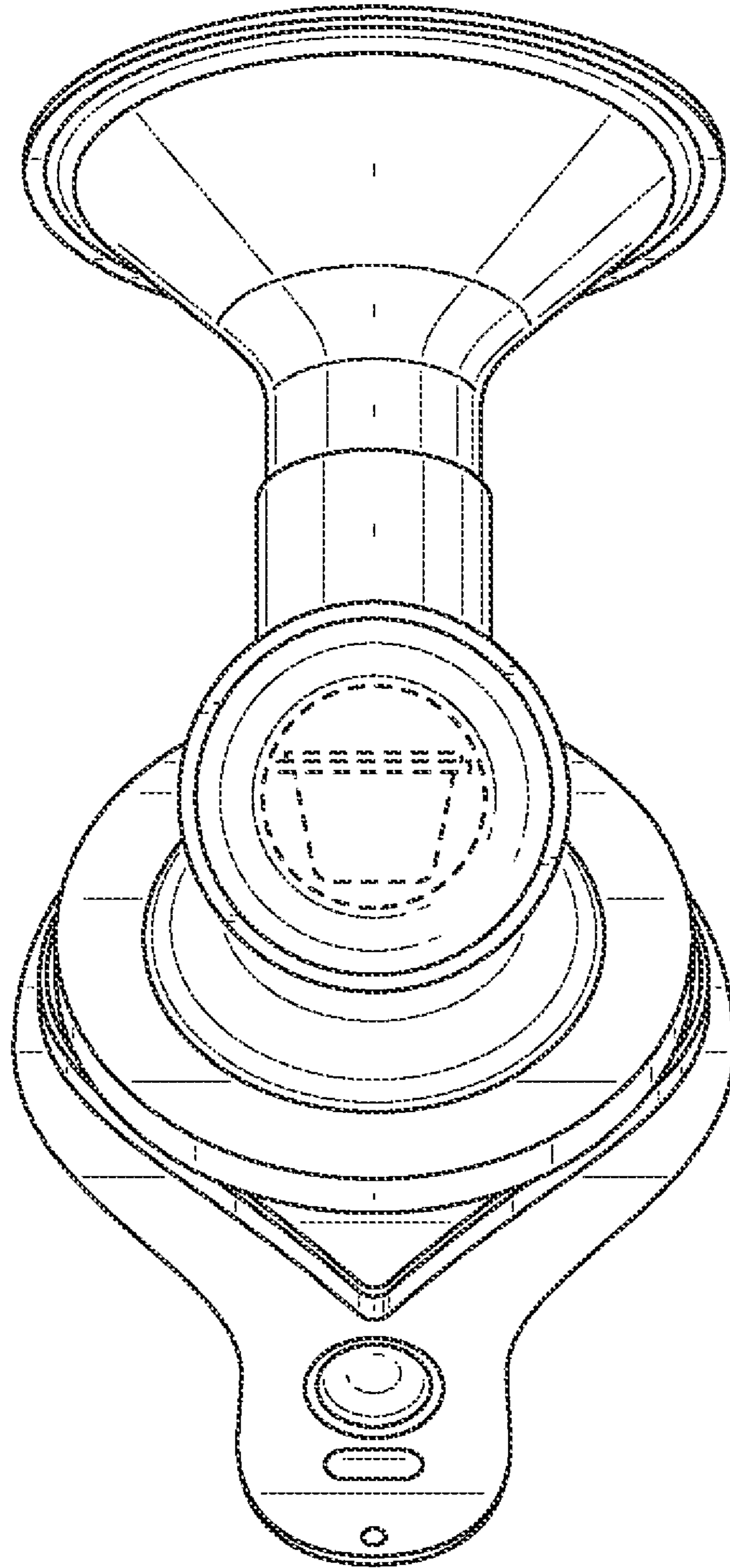


FIG. 8