



US00D636070S

(12) **United States Design Patent**
Illing et al.

(10) **Patent No.:** **US D636,070 S**
(45) **Date of Patent:** **** Apr. 12, 2011**

(54) **TABLET**

(75) Inventors: **Tove Illing**, Macclesfield (GB); **Johan Janner**, Södertälje (SE); **Jonathan Sutch**, Loughborough (GB)

(73) Assignee: **AstraZeneca AB**, Södertälje (SE)

(**) Term: **14 Years**

(21) Appl. No.: **29/356,485**

(22) Filed: **Feb. 26, 2010**

(51) **LOC (9) Cl.** **28-01**

(52) **U.S. Cl.** **D24/101**

(58) **Field of Classification Search** D24/100-104;
D28/8.1, 8.2, 6; 424/451-462, 464-483
See application file for complete search history.

(56) **References Cited**

U.S. PATENT DOCUMENTS

4,439,195	A	*	3/1984	Swanson et al.	424/473
D377,086	S	*	12/1996	Tortarolo	D24/101
D430,285	S	*	8/2000	Chen et al.	D24/101
D437,407	S	*	2/2001	Burrows	D24/101
D493,518	S	*	7/2004	McAllister et al.	D24/104
D506,545	S	*	6/2005	McAllister et al.	D24/104

7,029,699	B2	*	4/2006	Robinson et al.	424/464
D564,086	S	*	3/2008	Nielsen et al.	D24/101
D601,689	S	*	10/2009	Karolak et al.	D24/101

OTHER PUBLICATIONS

U.S. Appl. No. 29/356,484, filed Feb. 26, 2010.

* cited by examiner

Primary Examiner — Charles A Rademaker

(74) *Attorney, Agent, or Firm* — Finnegan, Henderson, Farabow, Garrett & Dunner, LLP

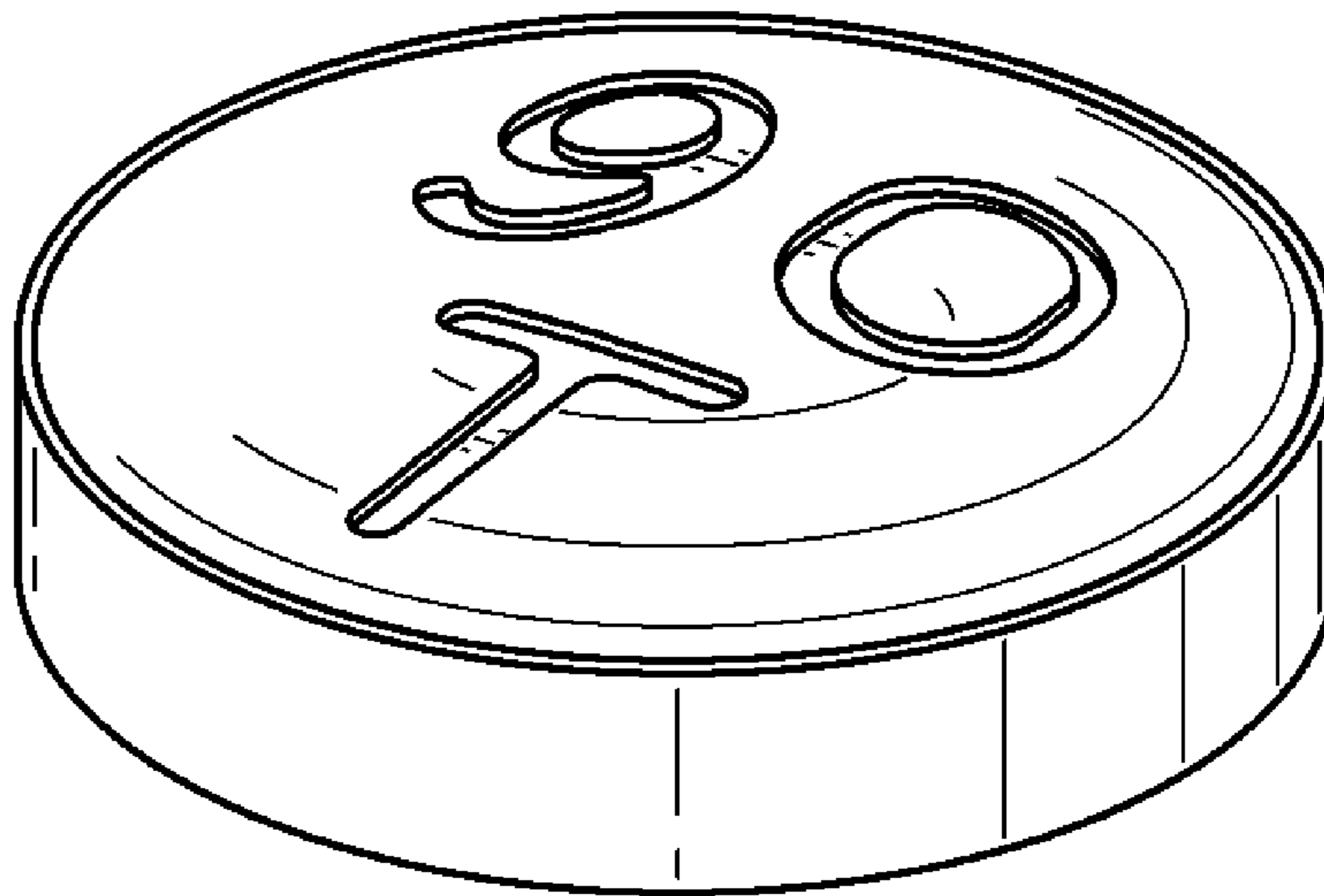
(57) **CLAIM**

The ornamental design for a tablet, as shown and described.

DESCRIPTION

FIG. 1 is a perspective view of a tablet;
FIG. 2 is a top plan view of the tablet of FIG. 1;
FIG. 3 is a bottom plan view of the tablet of FIG. 1;
FIG. 4 is a first side elevation view of the tablet of FIG. 1;
FIG. 5 is the opposite side elevation view of the tablet of FIG. 1;
FIG. 6 is a further side elevation view of the tablet of FIG. 1;
and,
FIG. 7 is the opposite side elevation view of the tablet of FIG. 1.

1 Claim, 2 Drawing Sheets



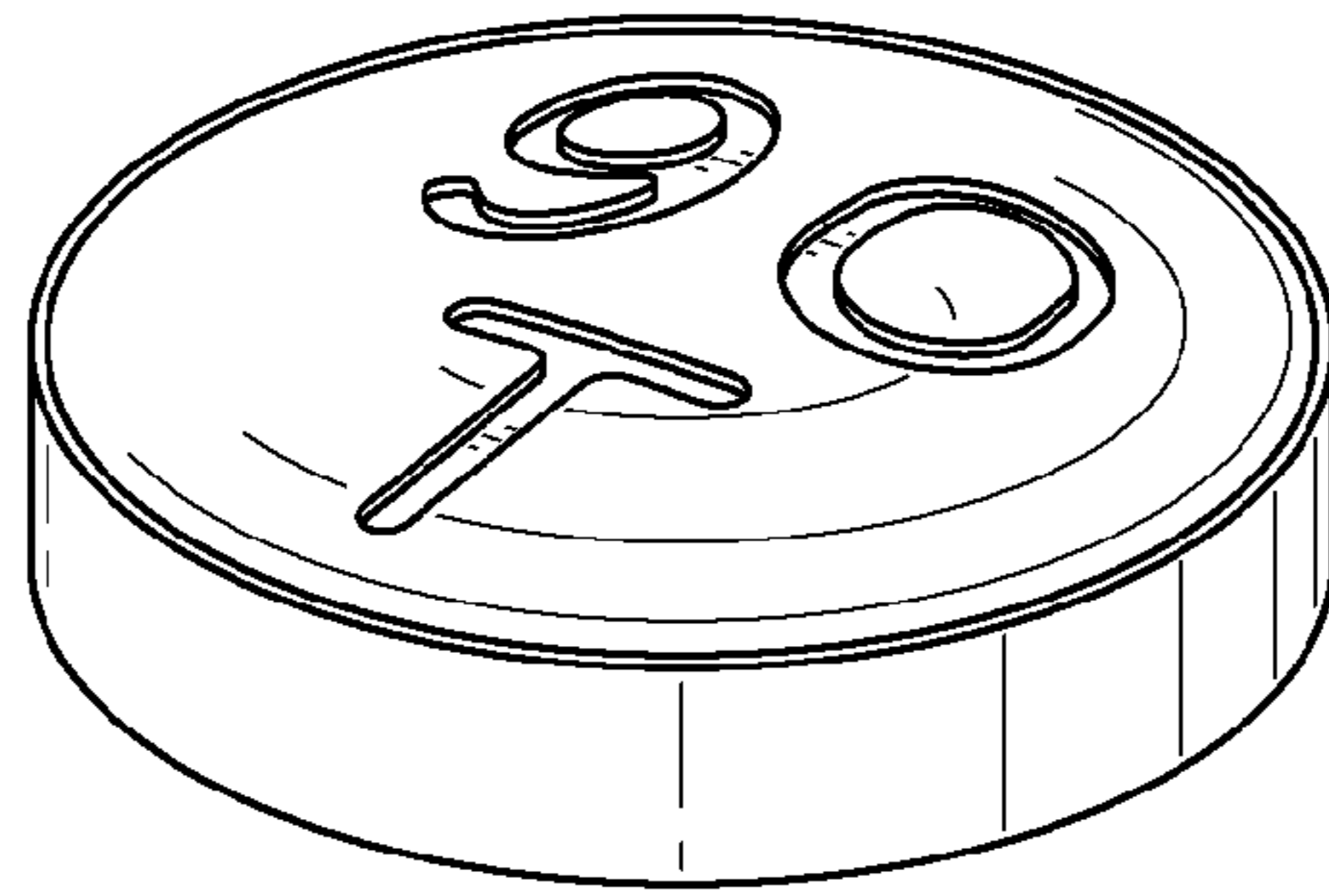


Fig.1.



Fig.2.

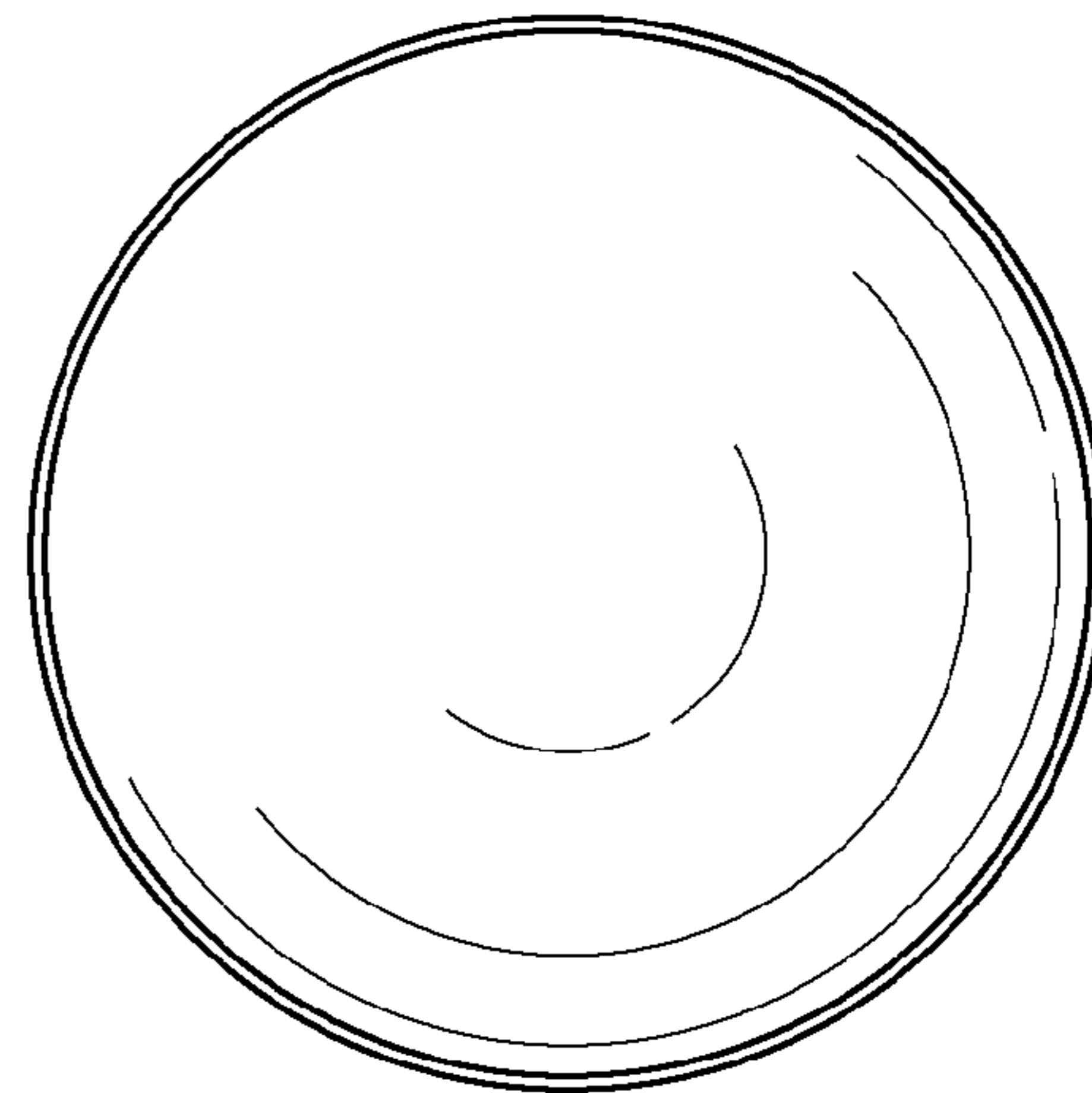


Fig.3.

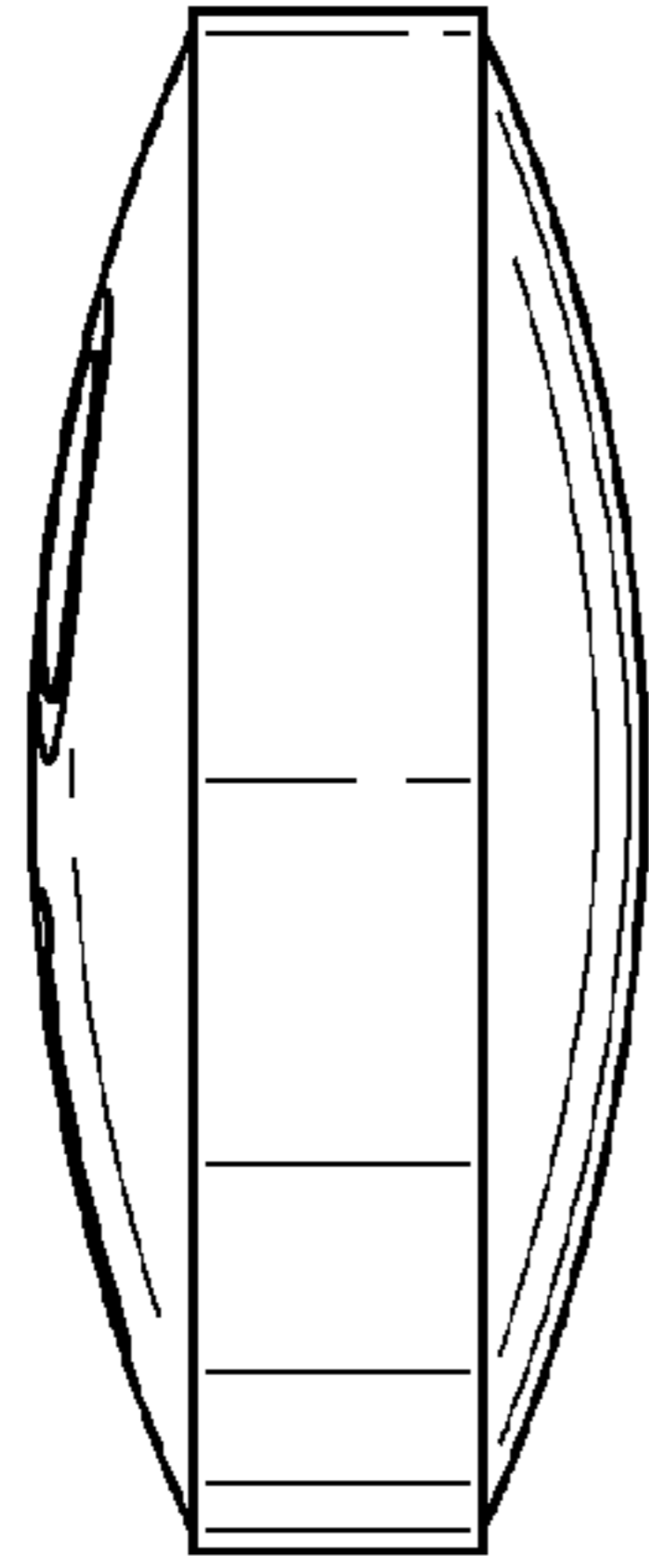


Fig.4.

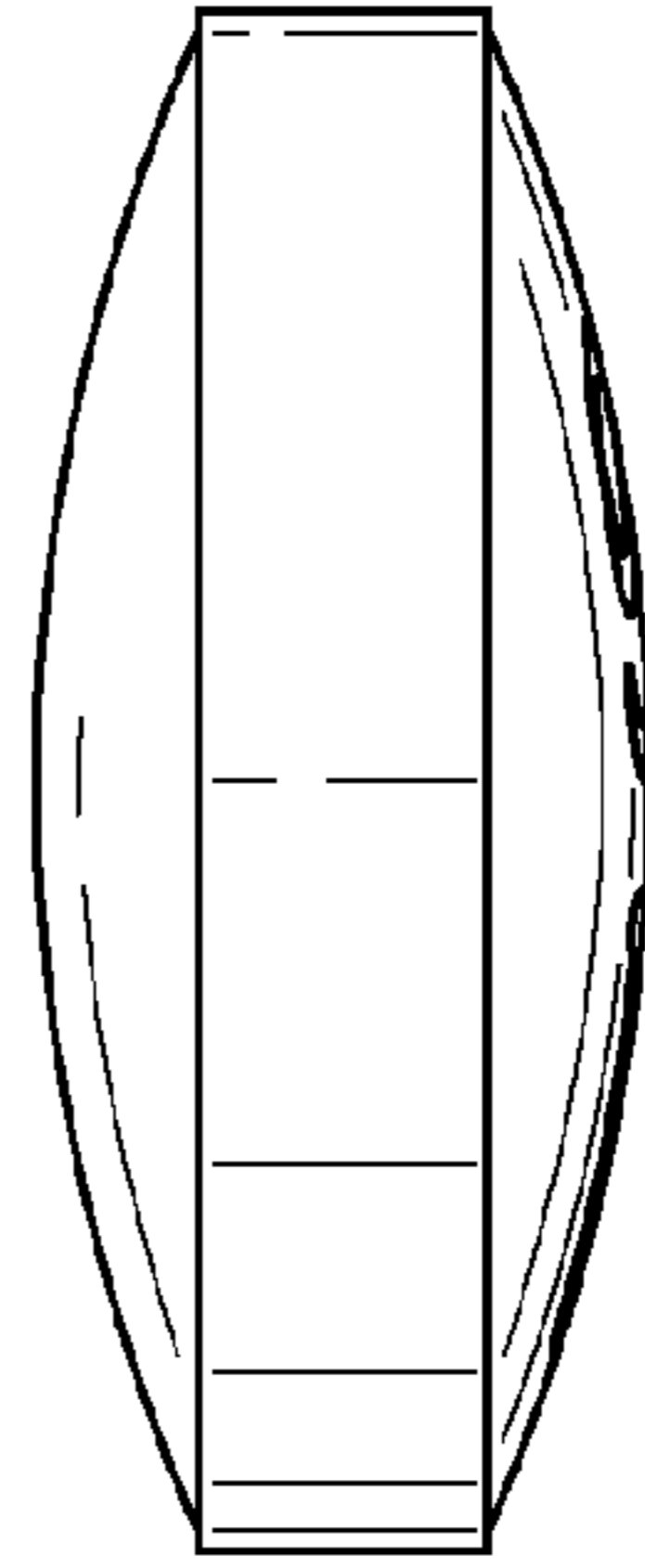


Fig.5.

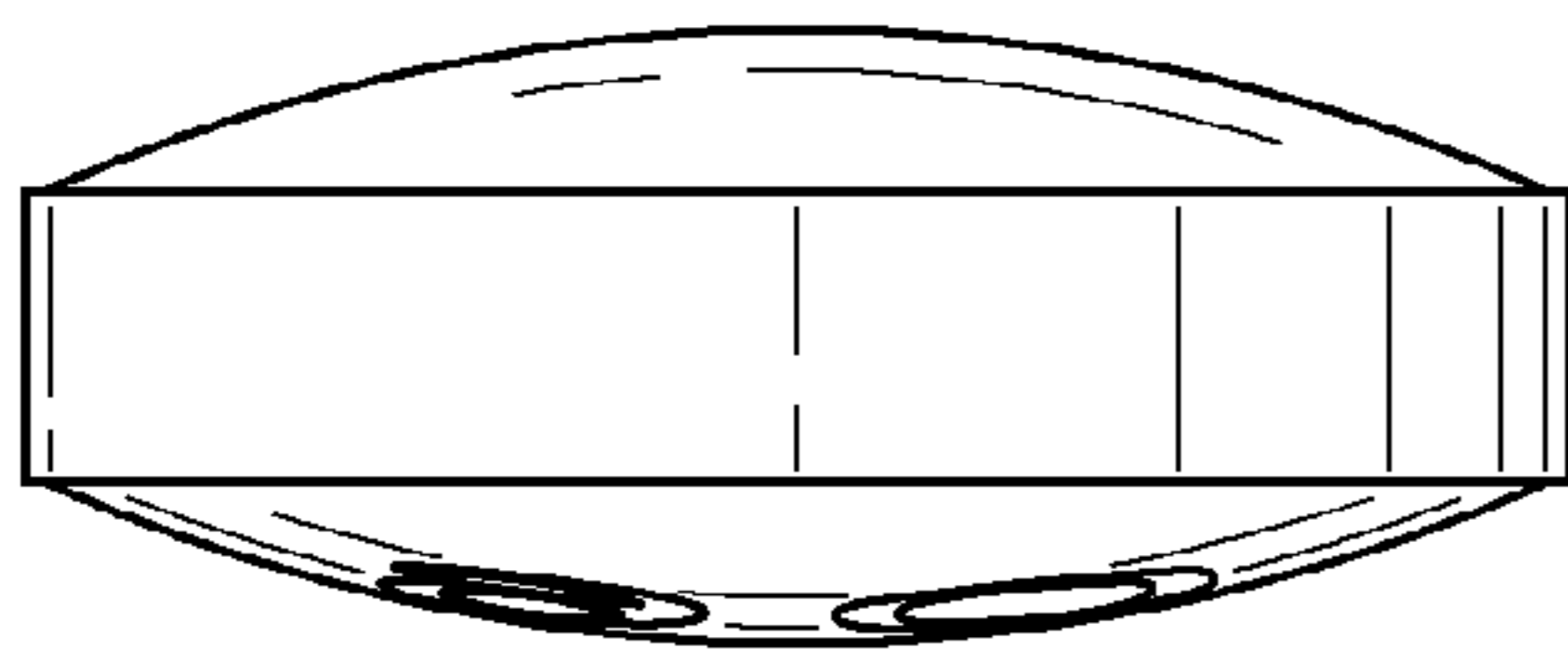


Fig.6.

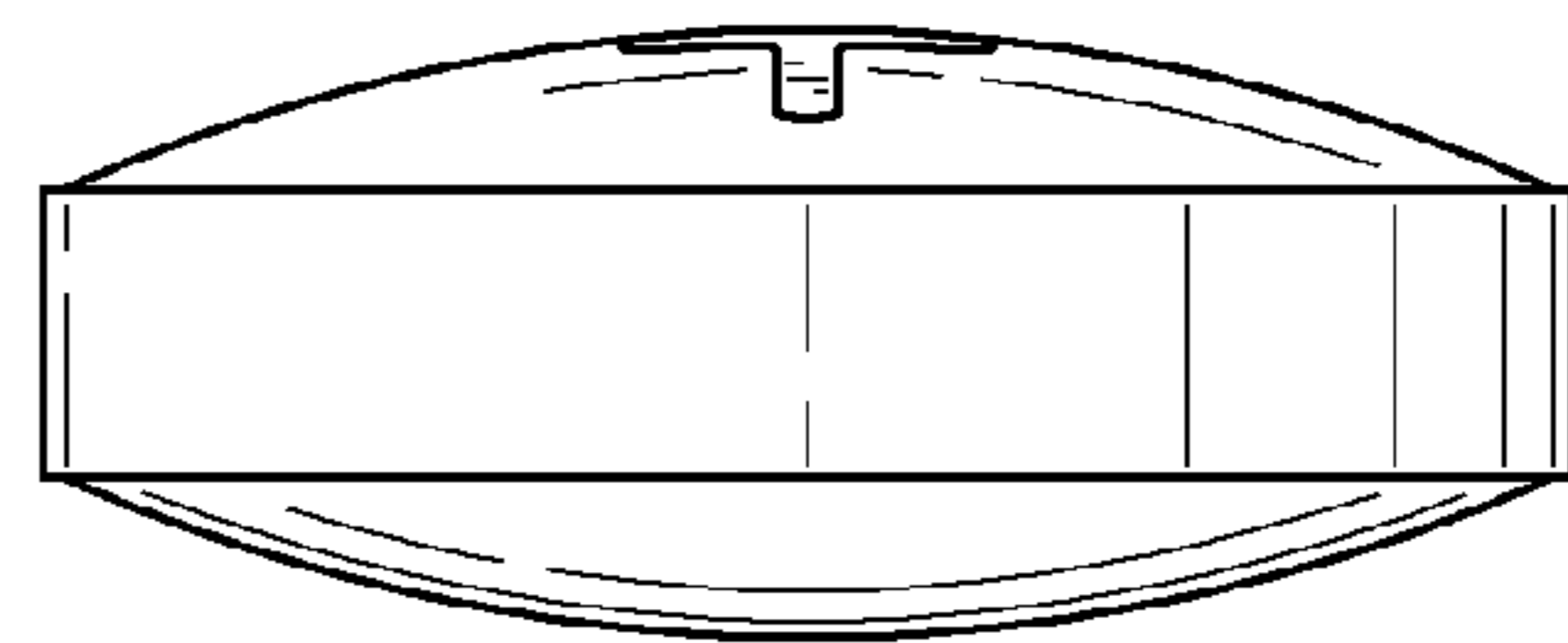


Fig.7.