



US00D636069S

(12) **United States Design Patent**
LeMay et al.

(10) **Patent No.:** **US D636,069 S**
(45) **Date of Patent:** **** Apr. 12, 2011**

(54) **DIFFUSER**

FOREIGN PATENT DOCUMENTS

(75) Inventors: **Frank A. LeMay**, Sugar Creek, MO
(US); **Pedro J. Bermudez**, Olathe, KS
(US)

JP 05332601 12/1993

* cited by examiner

(73) Assignee: **Walnut Manufacturing LLC**, Kansas
City, KS (US)

Primary Examiner — David G Muller

(74) *Attorney, Agent, or Firm* — Shook, Hardy & Bacon
L.L.P.

(**) Term: **14 Years**

(57) **CLAIM**

(21) Appl. No.: **29/356,696**

The ornamental design for a diffuser, as shown and described.

(22) Filed: **Mar. 1, 2010**

(51) **LOC (9) Cl.** **23-04**

(52) **U.S. Cl.** **D23/388**

(58) **Field of Classification Search** D23/385–395,
D23/397, 370–373, 365, 351, 354, 399–403,
D23/342, 366, 356, 363; 454/309, 275–277,
454/284, 287–291; D7/401.1

See application file for complete search history.

DESCRIPTION

FIG. 1 is a perspective view of a diffuser of the present invention;

FIG. 2 is a perspective view thereof from a different vantage point; and,

FIG. 3 is a top plan view thereof.

In FIG. 1, the rear of the vanes below the full line disclosure of the upper surface is disclaimed. In FIG. 2, the portions of the vanes below the full line disclosure of the sloped face of the vanes and the rear of the vanes below the full line disclosure of the upper surface are disclaimed.

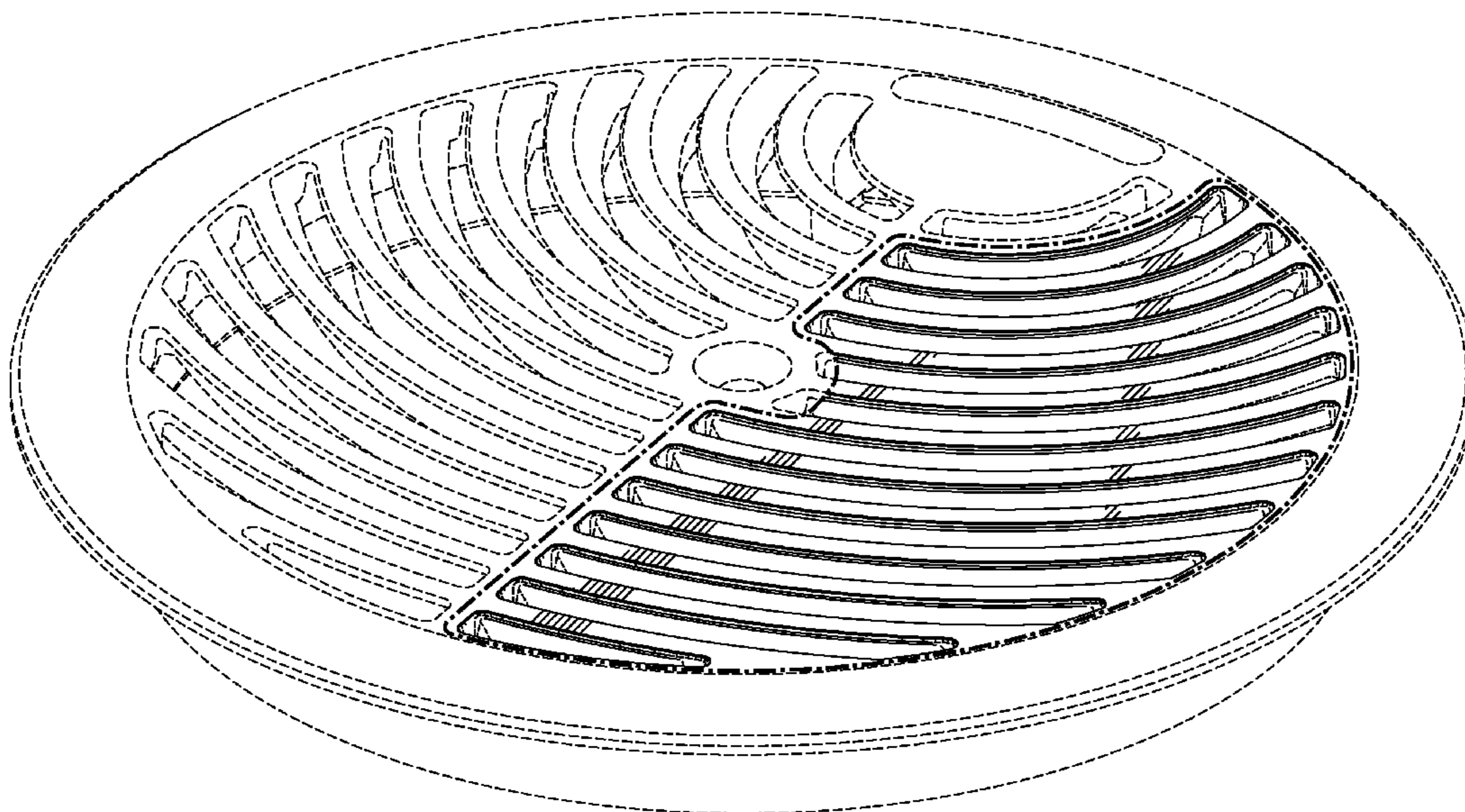
A bottom plan view and side elevation views have been omitted as they do not form a portion of the claimed design. The evenly spaced broken lines shown in the drawings are directed to environment, are for informational purposes only, and form no part of the claimed design. The long and short broken lines are boundary lines which define the bounds of the claimed design. These boundaries do not exist in reality in the article embodying the design. It is understood that the claimed design extends to these boundaries but does not include the boundaries.

(56) **References Cited**

U.S. PATENT DOCUMENTS

D432,226 S *	10/2000	Orendorff	D23/393
D436,536 S *	1/2001	Levi	D23/366
D441,441 S *	5/2001	Upton	D23/366
D443,924 S *	6/2001	Renella	D23/366
6,361,432 B1 *	3/2002	Walker	454/290
D491,257 S *	6/2004	Picken, Jr.	D23/366
D493,515 S *	7/2004	Morillas	D23/366
D544,088 S	6/2007	Wu	
D548,823 S *	8/2007	Matsumoto et al.	D23/363
D555,777 S *	11/2007	Aveldson et al.	D23/365
D558,517 S *	1/2008	Larkin et al.	D7/401.1
D567,353 S *	4/2008	Hollingsworth et al.	D23/388
D607,095 S *	12/2009	LeMay et al.	D23/366
D609,800 S *	2/2010	Chen	D23/385
2008/0119128 A1	5/2008	Demster	

1 Claim, 3 Drawing Sheets



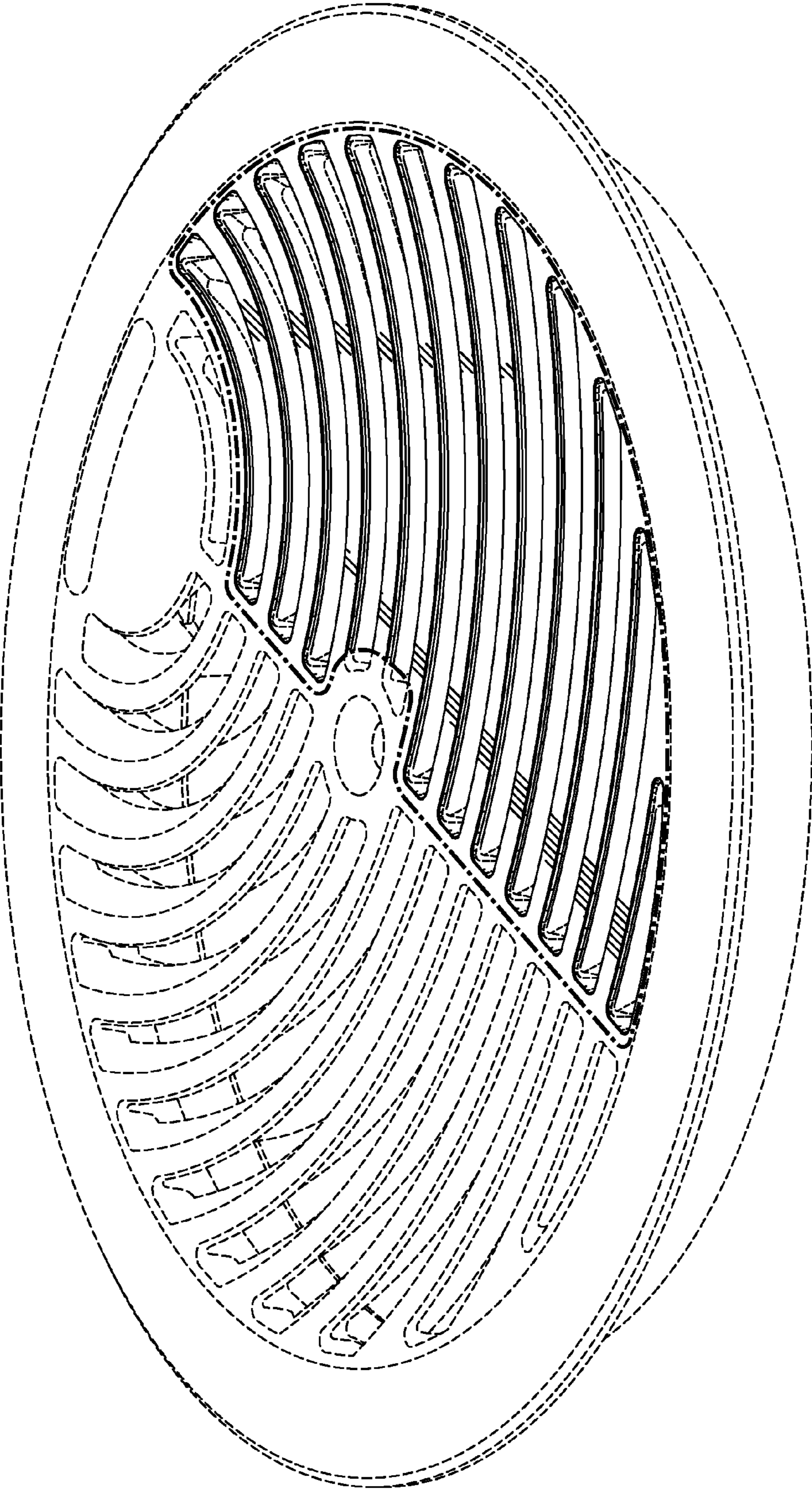


FIG. 1

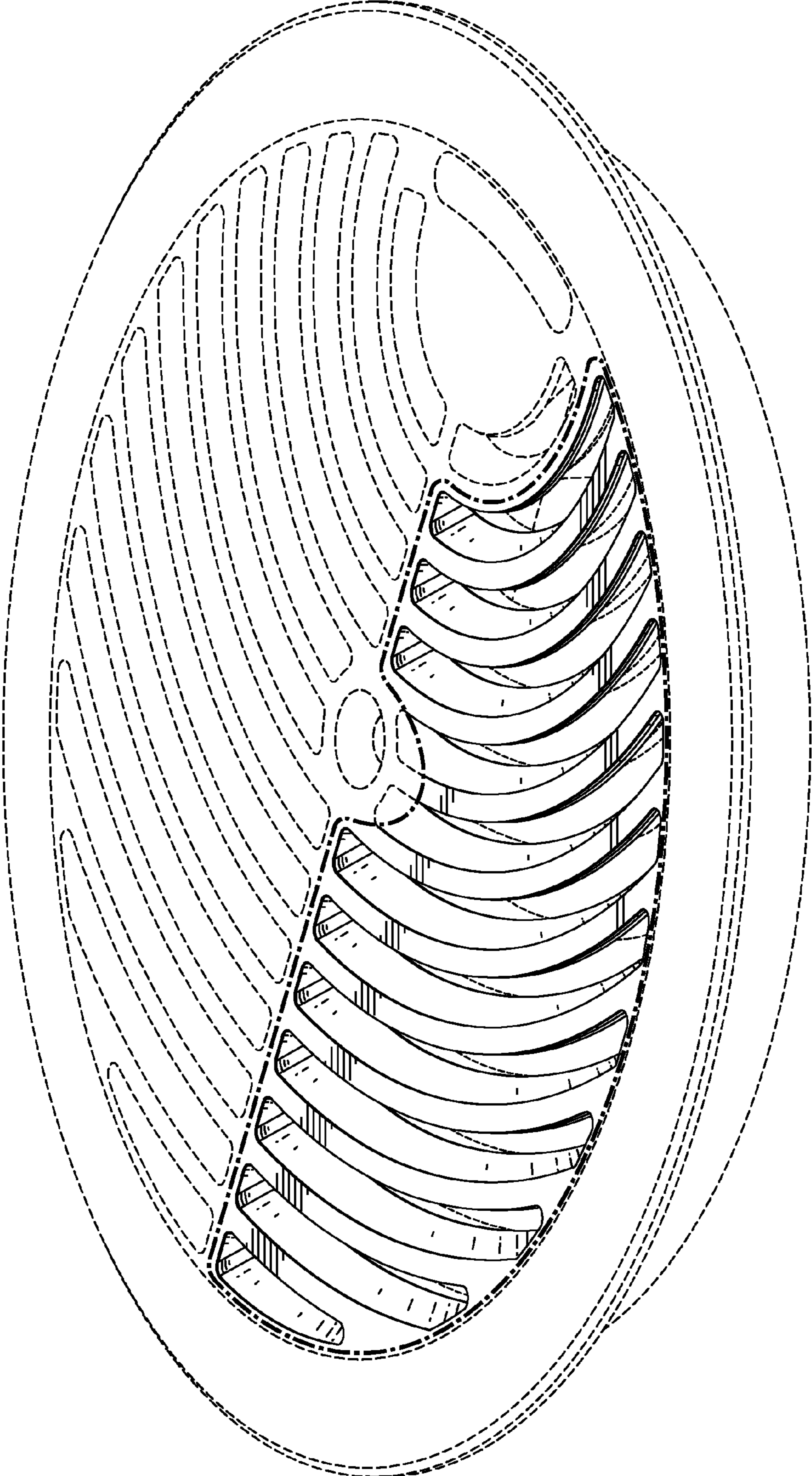


FIG. 2

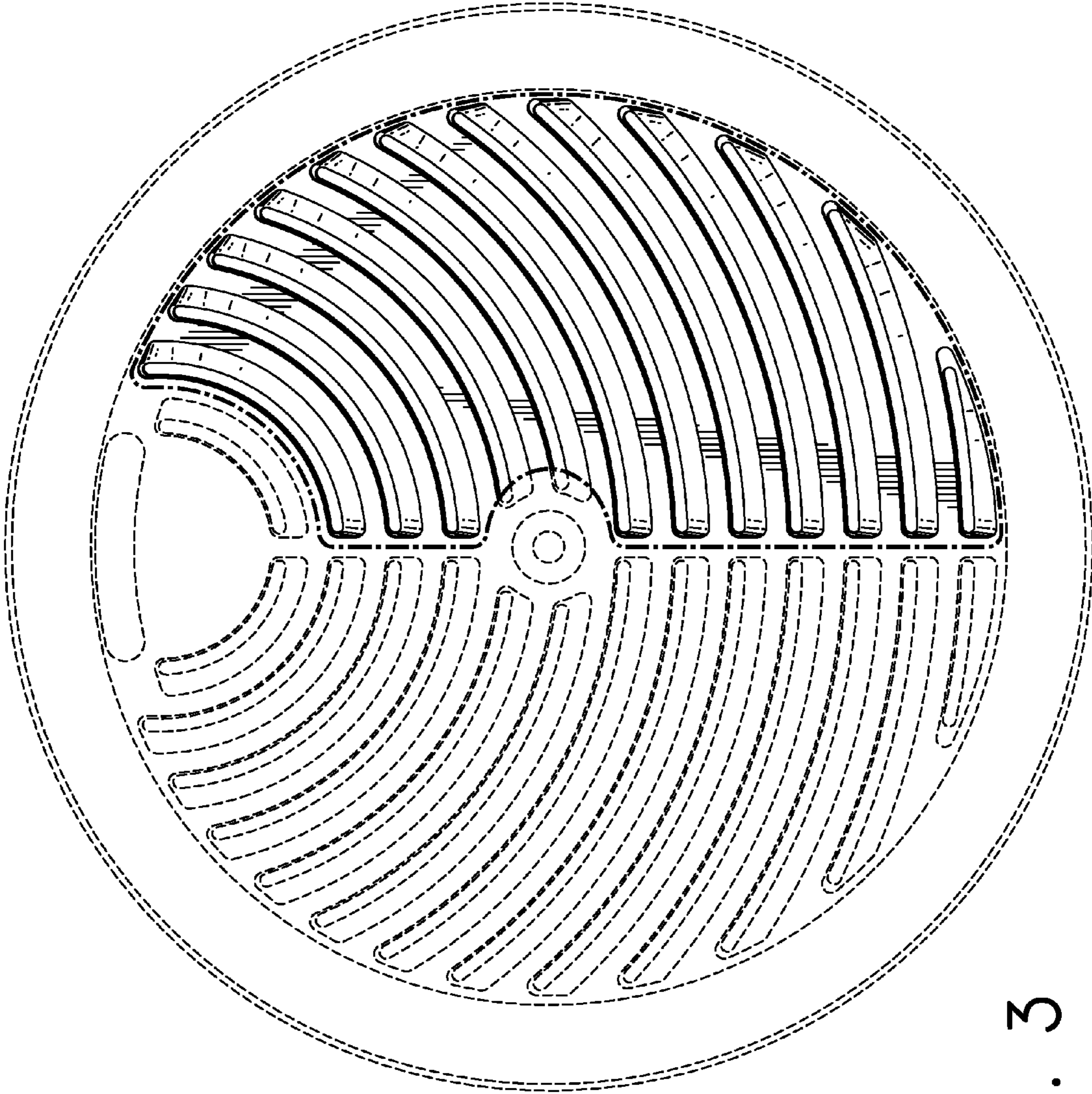


FIG. 3