



US00D636068S

(12) **United States Design Patent**
Steiner

(10) **Patent No.:** **US D636,068 S**

(45) **Date of Patent:** **** Apr. 12, 2011**

(54) **MANUAL MISTING FAN WITH AN OBLONG FAN BLADE**

D554,242 S * 10/2007 Chen D23/328
D565,720 S * 4/2008 Chen D23/379
D577,426 S * 9/2008 Huang D23/360

(76) Inventor: **Gregory Steiner**, Naperville, IL (US)

* cited by examiner

(**) Term: **14 Years**

Primary Examiner — Lisa P Lichtenstein

(21) Appl. No.: **29/372,302**

(74) *Attorney, Agent, or Firm* — Basil E. Demeur; Alan B. Samlan; David J. Hurley

(22) Filed: **Nov. 8, 2010**

(51) **LOC (9) Cl.** **23-04**

(52) **U.S. Cl.** **D23/379**

(58) **Field of Classification Search** D23/379,
D23/413, 370; 416/146 R, 63, 142

See application file for complete search history.

(57) **CLAIM**

The ornamental design for a manual misting fan with an oblong fan blade, as shown.

DESCRIPTION

FIG. 1 is a perspective view of the manual fan;
FIG. 2 is a top view of the manual fan;
FIG. 3 is a side elevational view of the manual fan;
FIG. 4 is a front elevational view of the manual fan; and,
FIG. 5 is a bottom view of the manual fan.

(56) **References Cited**

U.S. PATENT DOCUMENTS

D387,852 S * 12/1997 Radtke et al. D23/328
D548,454 S * 8/2007 Radtke et al. D3/208
D553,227 S * 10/2007 Chen D23/328

1 Claim, 1 Drawing Sheet

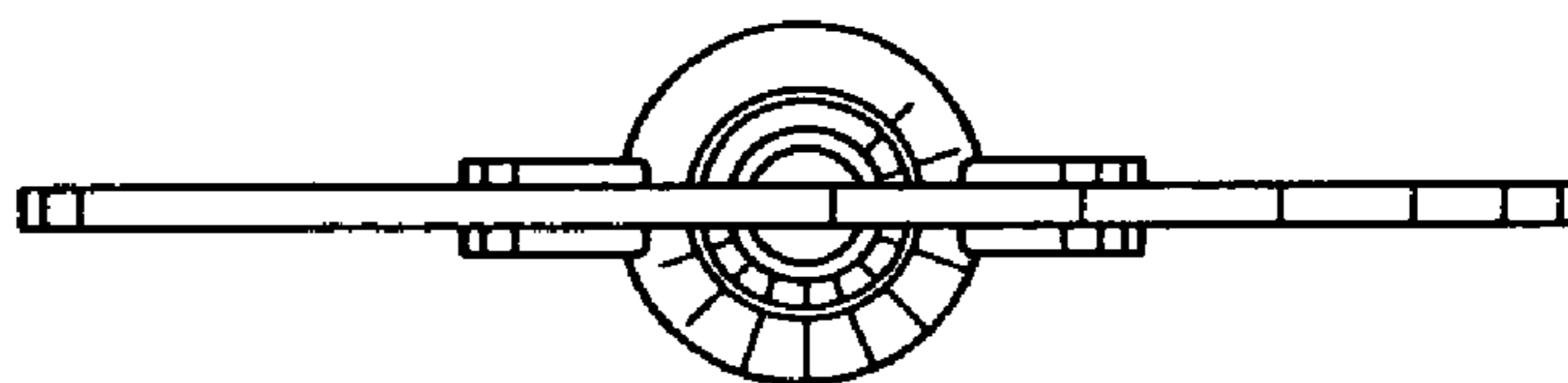
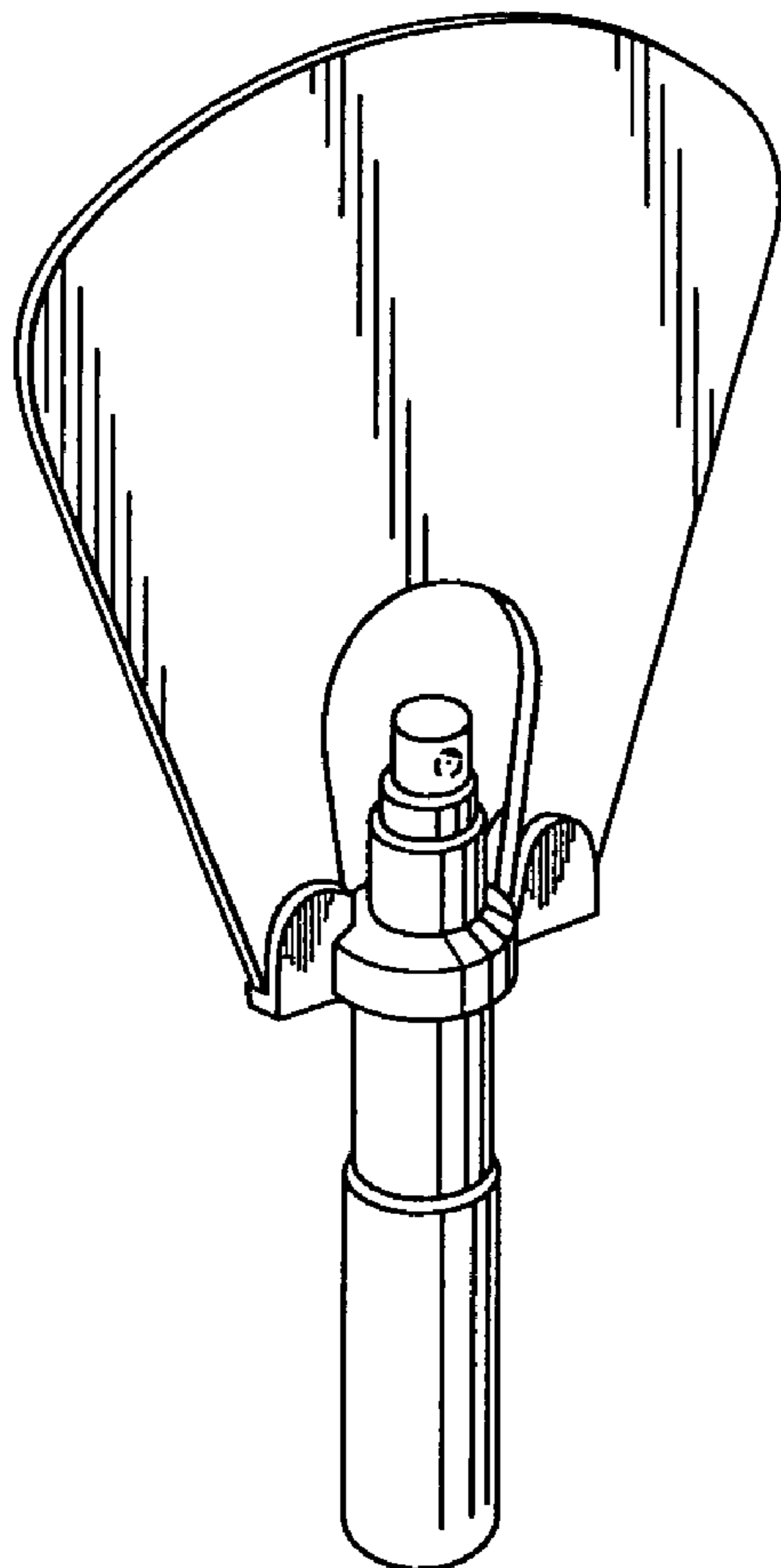


Fig. 1

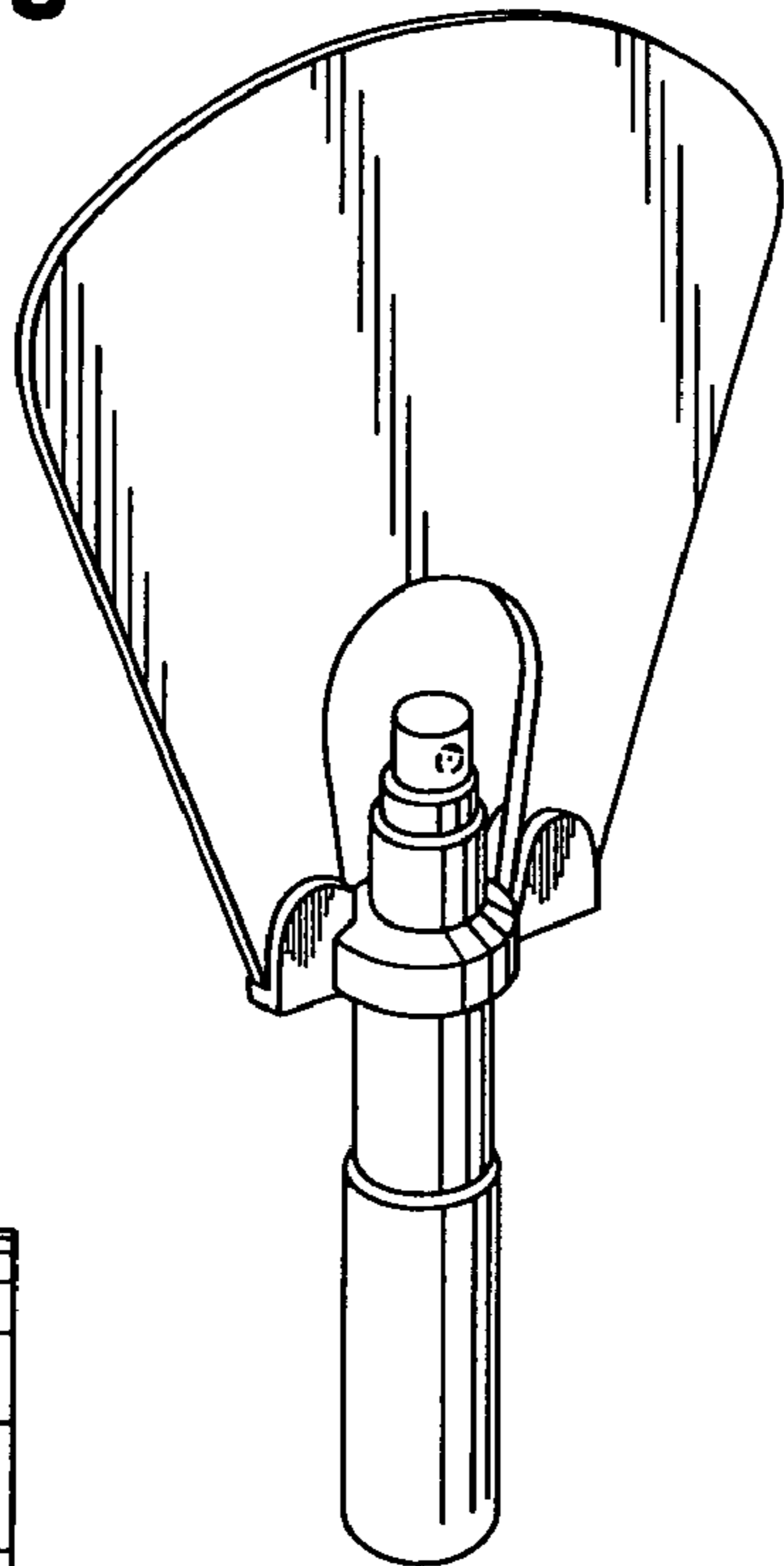


Fig. 2

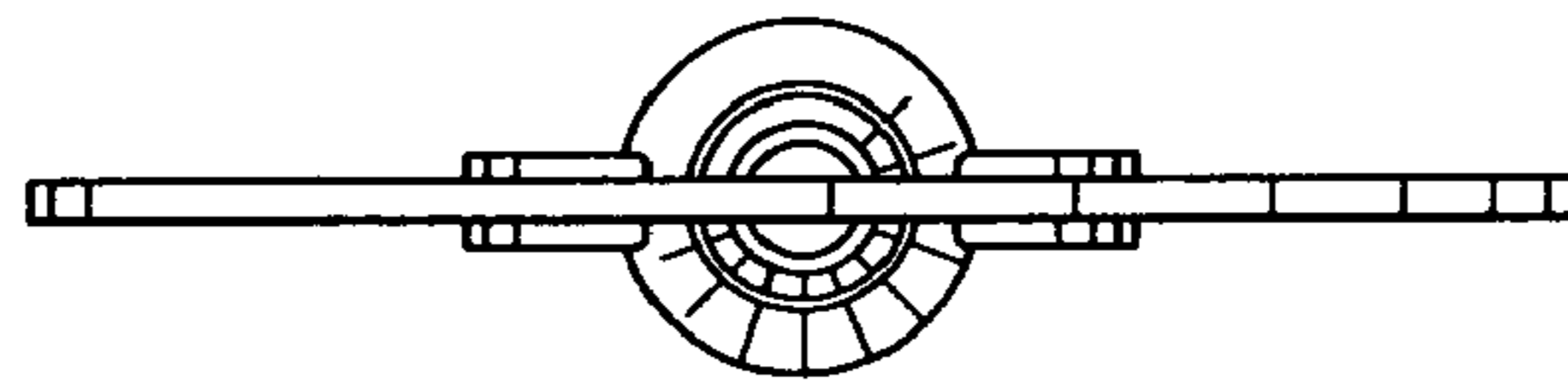


Fig. 4

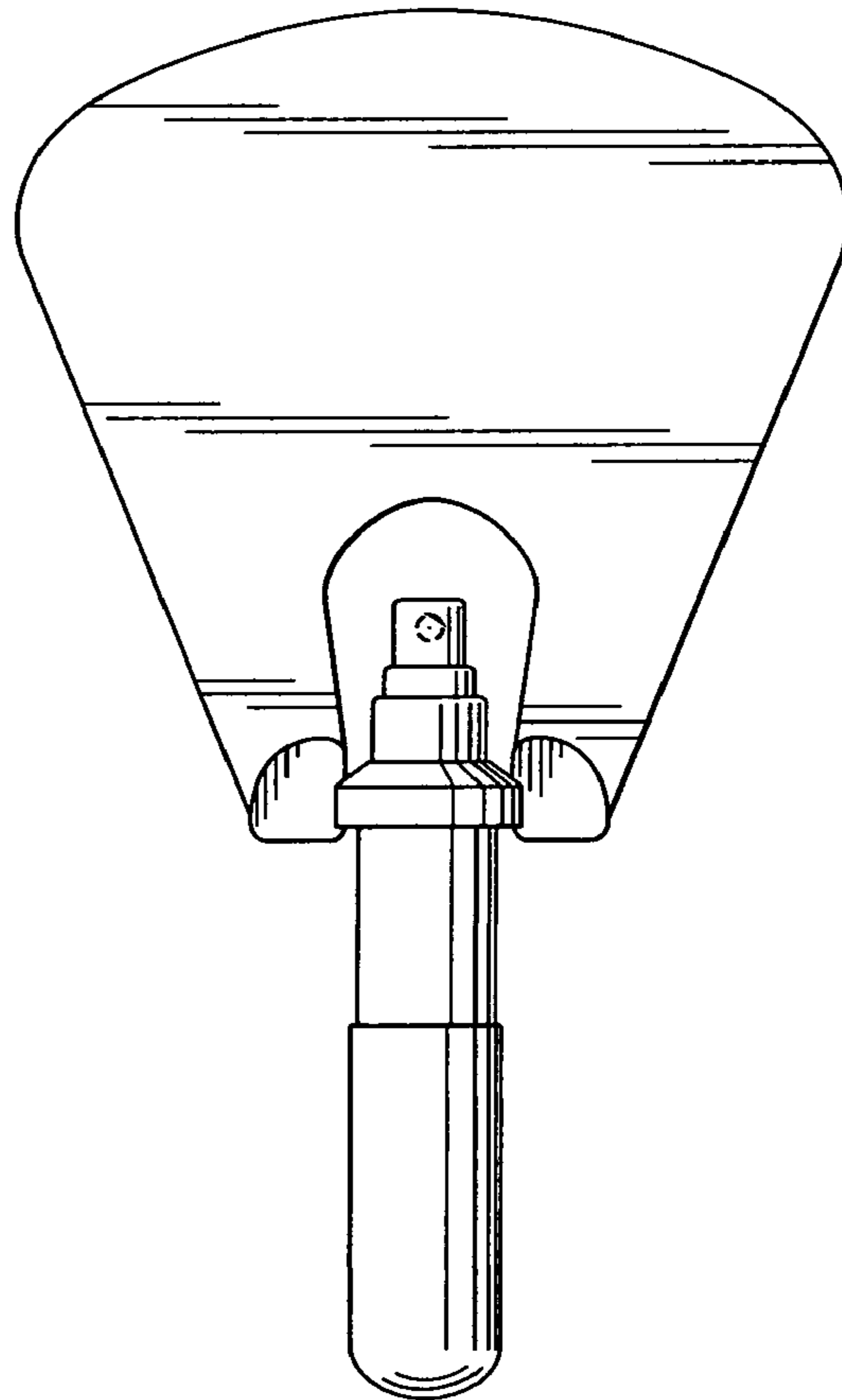


Fig. 3

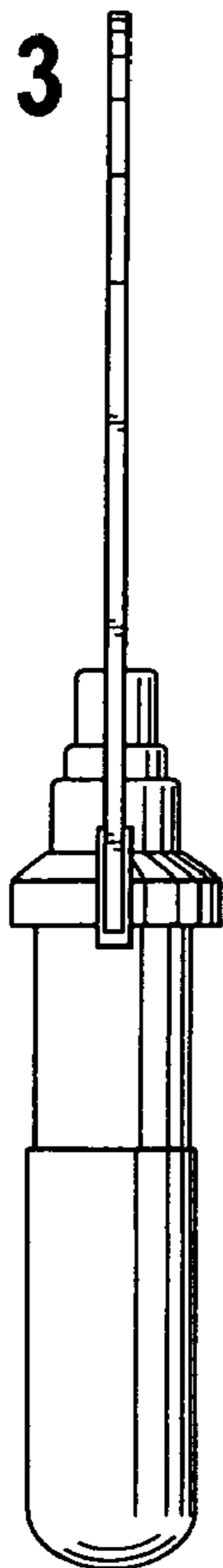


Fig. 5

