



US00D636065S

(12) **United States Design Patent**  
**Schoenherr et al.**

(10) **Patent No.:** **US D636,065 S**  
(45) **Date of Patent:** **\*\* Apr. 12, 2011**

(54) **FAUCET**

(75) Inventors: **Tom Schoenherr**, Stuttgart (DE); **Erkan Bilgic**, Stuttgart (DE)

(73) Assignee: **Hansgrohe AG**, Schiltach (DE)

(\*\*) Term: **14 Years**

(21) Appl. No.: **29/367,363**

(22) Filed: **Aug. 6, 2010**

(30) **Foreign Application Priority Data**

Feb. 10, 2010 (EM) ..... 001194757-0009

(51) **LOC (9) Cl.** ..... **23-01**

(52) **U.S. Cl.** ..... **D23/255**

(58) **Field of Classification Search** ..... D23/238,  
D23/241-242, 255, 257, 249; 4/675-678;  
137/801

See application file for complete search history.

(56) **References Cited**

U.S. PATENT DOCUMENTS

D330,935 S *	11/1992	Delepine .....	D23/238
D493,210 S *	7/2004	Citterio .....	D23/238
D582,009 S *	12/2008	Citterio .....	D23/238
D584,798 S *	1/2009	Zetsche et al. ....	D23/238

\* cited by examiner

*Primary Examiner* — Robert A Delehanty

(74) *Attorney, Agent, or Firm* — Nirav D. Parikh; Lora J. Graentzdoerffer; Edgar A. Zarins

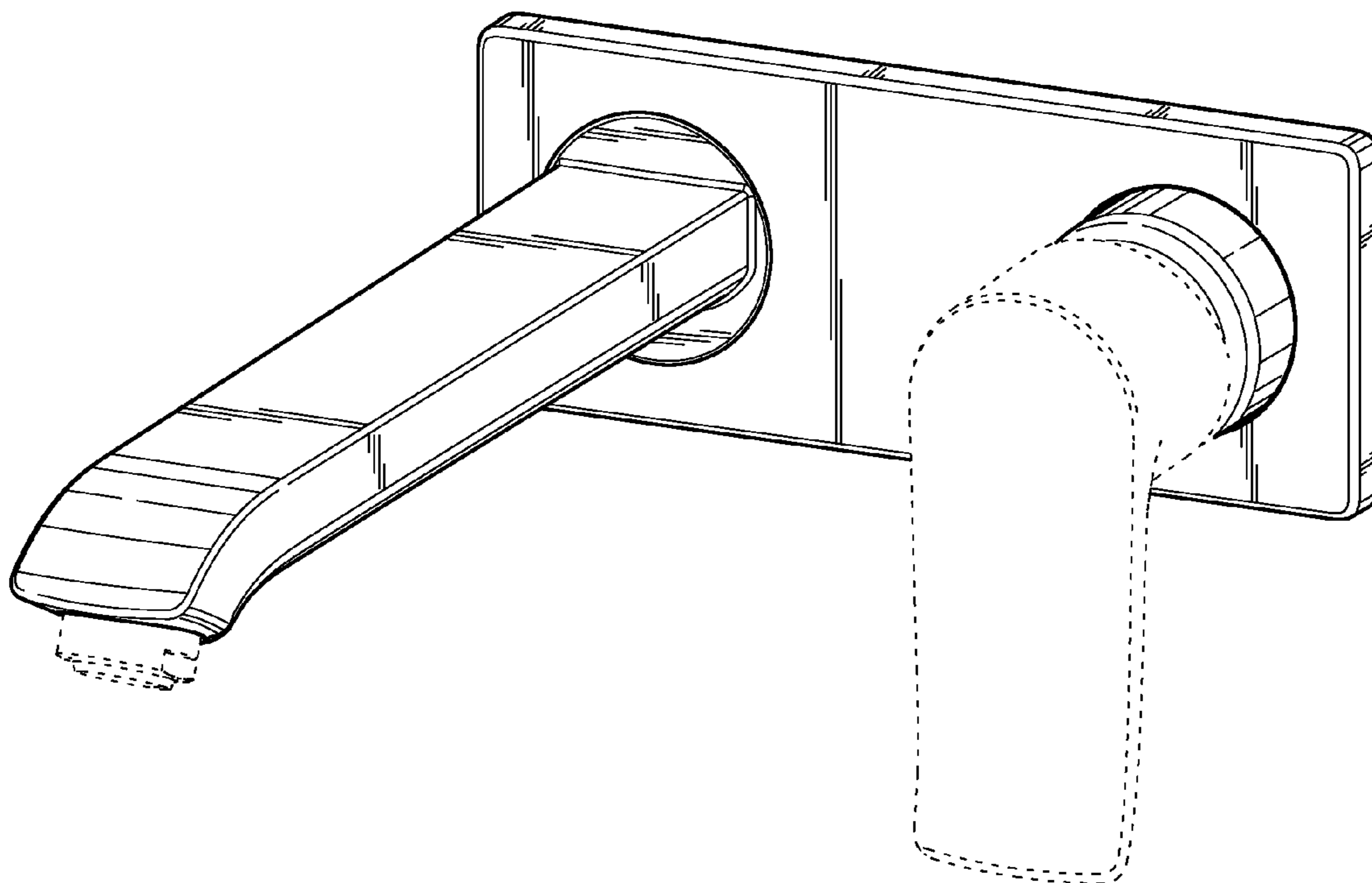
(57) **CLAIM**

The ornamental design for a faucet, as shown and described.

**DESCRIPTION**

FIG. 1 is a perspective view of a faucet showing our design; FIG. 2 is a front elevational view thereof; FIG. 3 is a left side elevational view thereof; FIG. 4 is a right side elevational view thereof; FIG. 5 is a top plan view thereof; and, FIG. 6 is a bottom plan view thereof. The broken lines in the drawings represent unclaimed portions of the design and form no part of the claimed design.

**1 Claim, 6 Drawing Sheets**



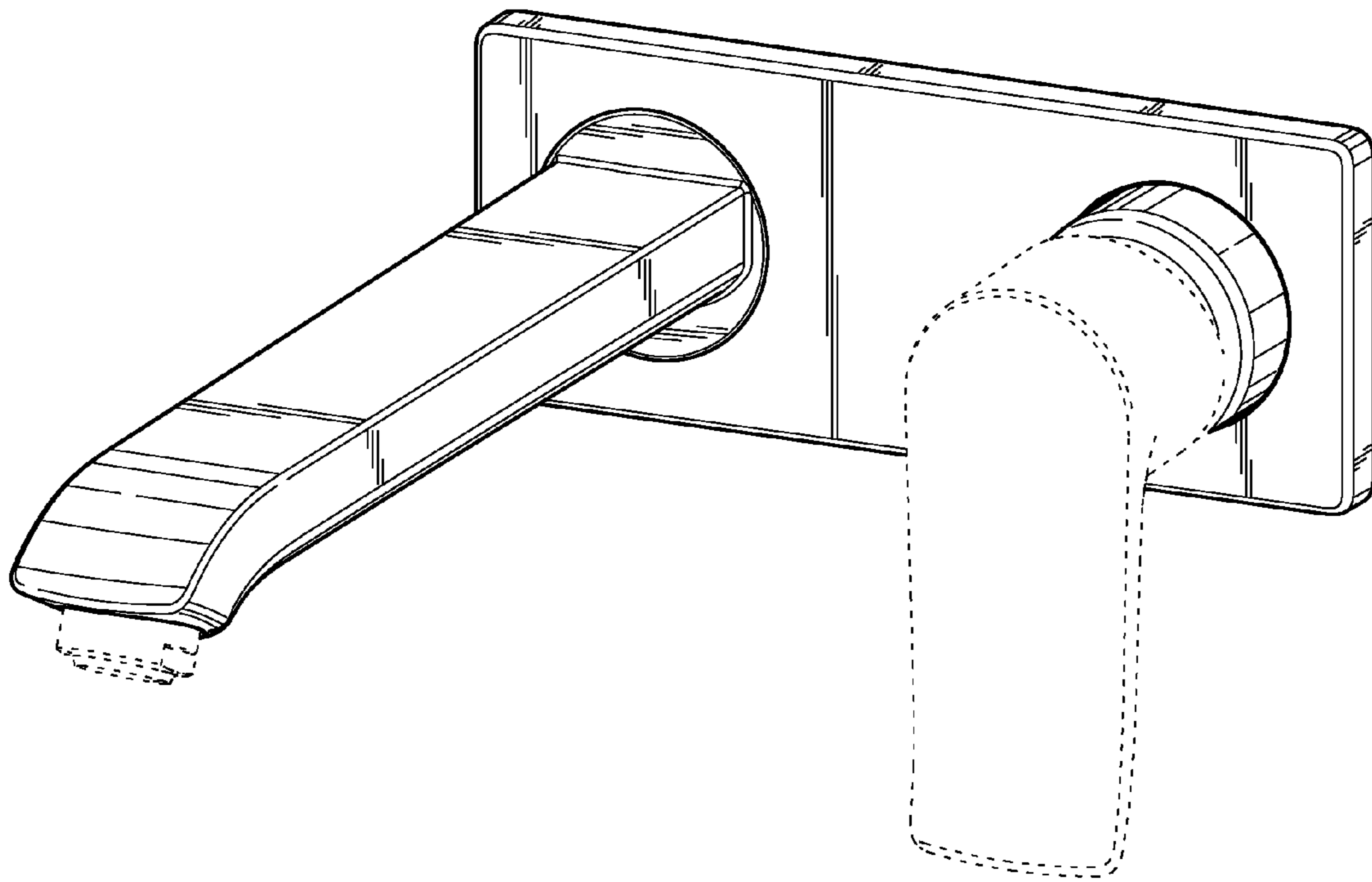


FIG. 1

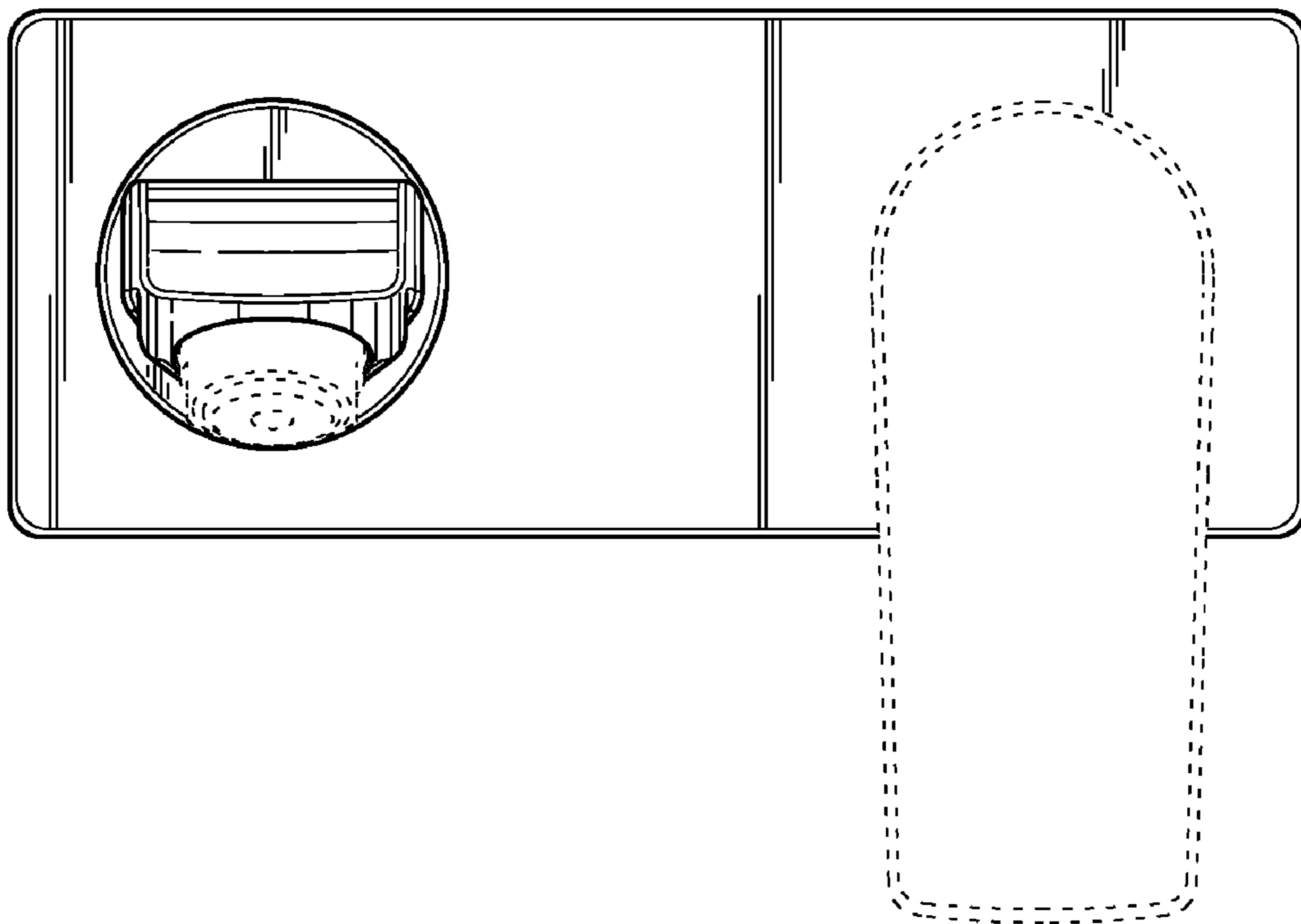


FIG. 2

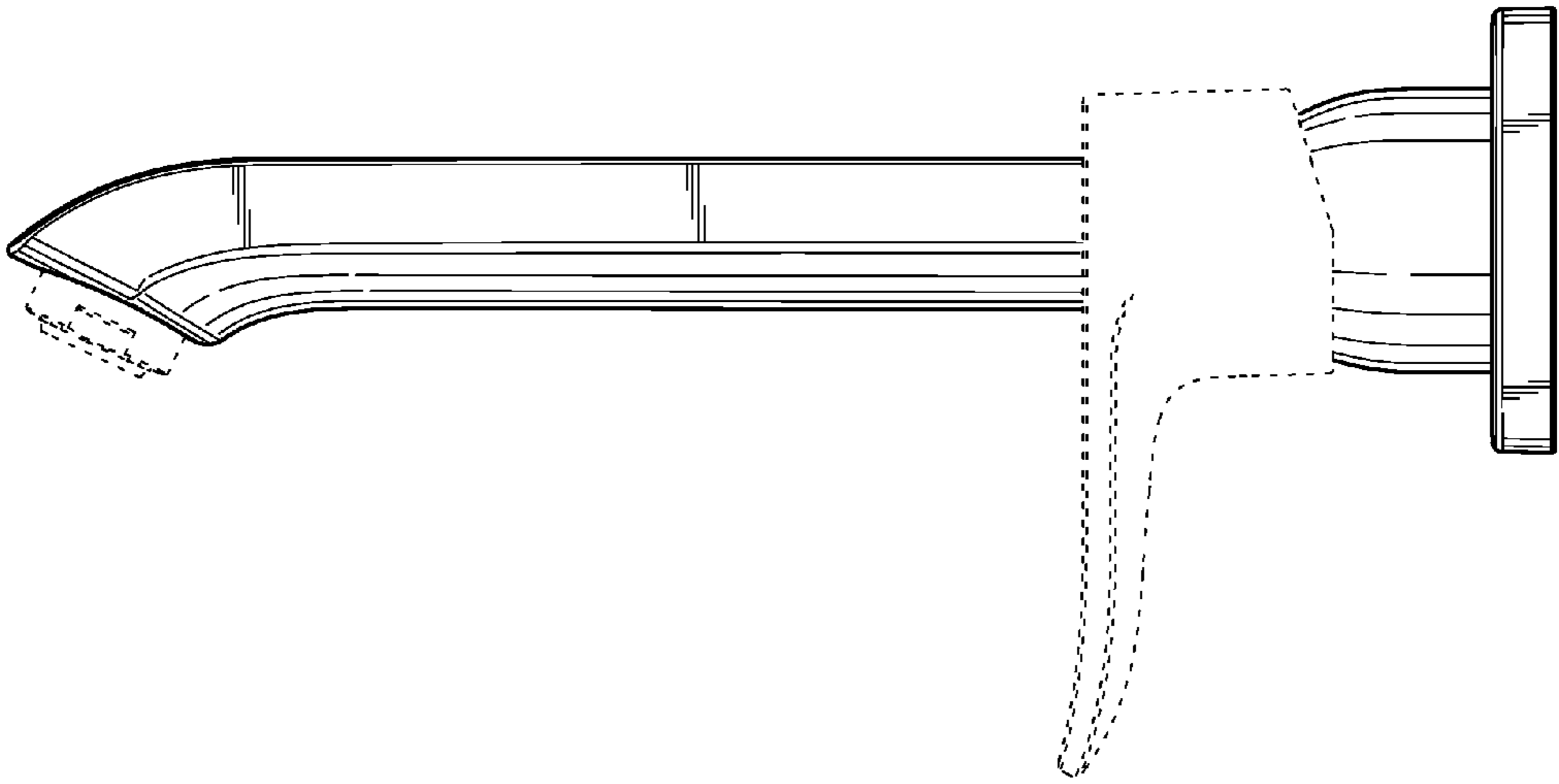


FIG. 3

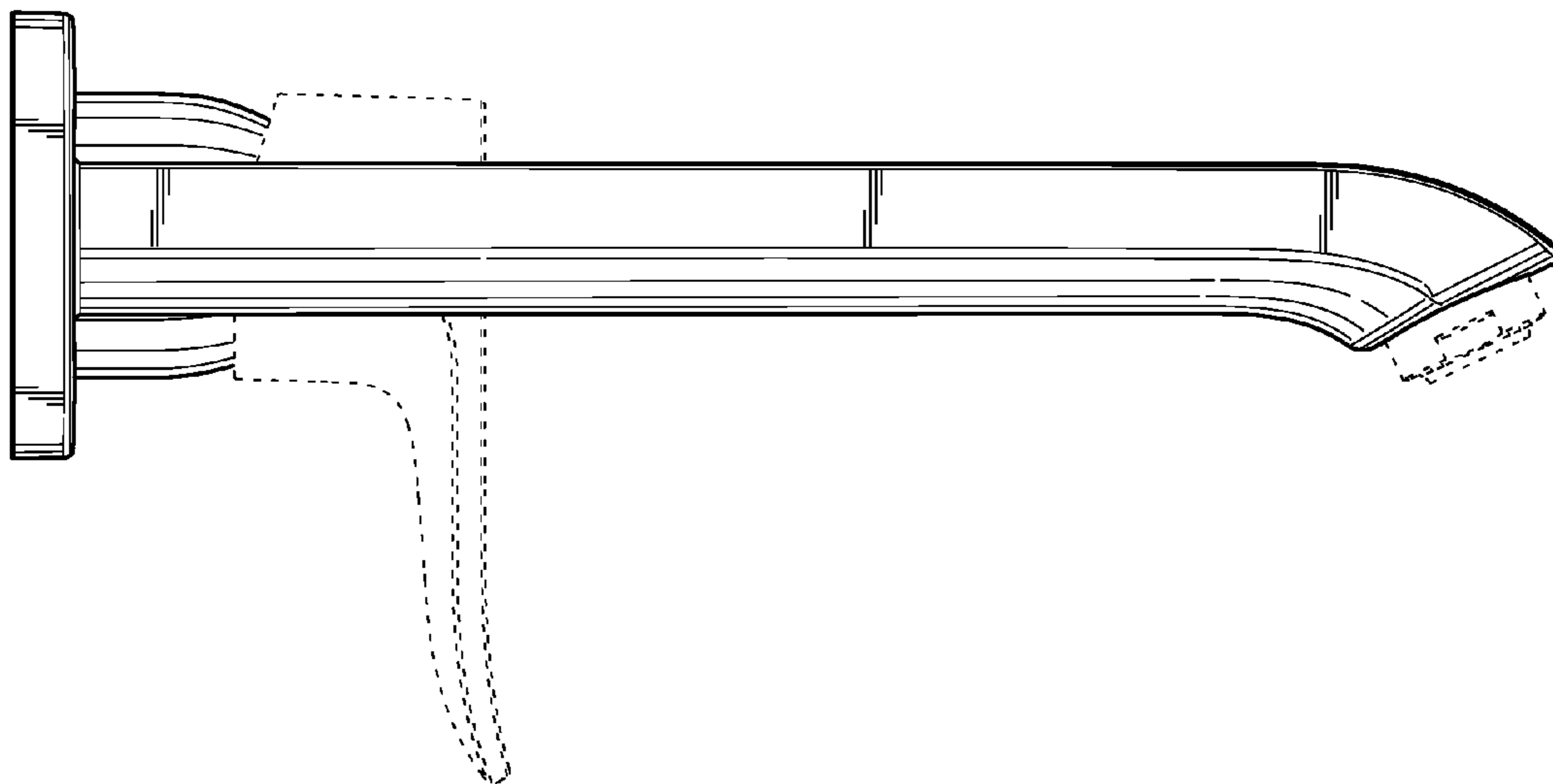


FIG. 4

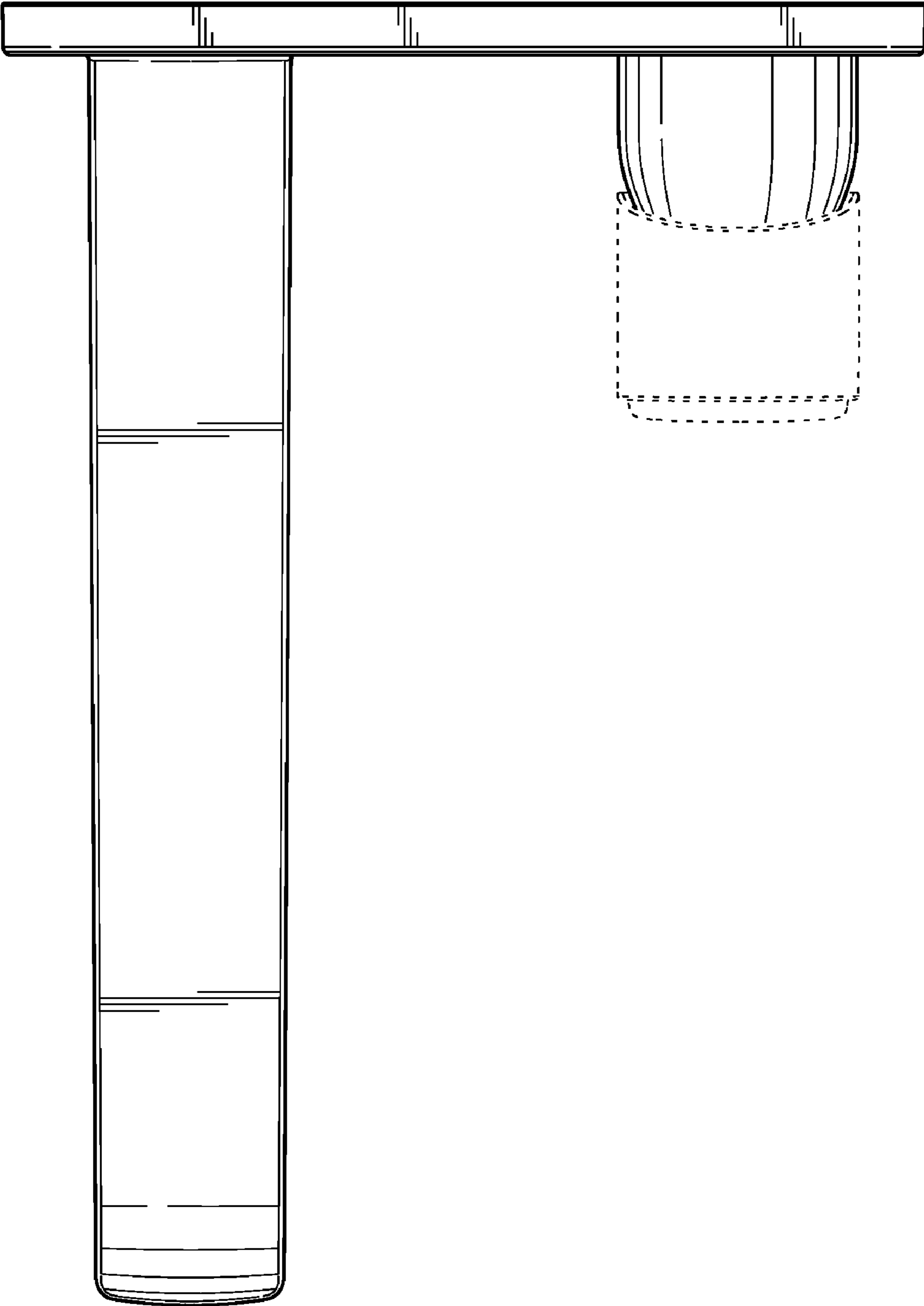


FIG. 5

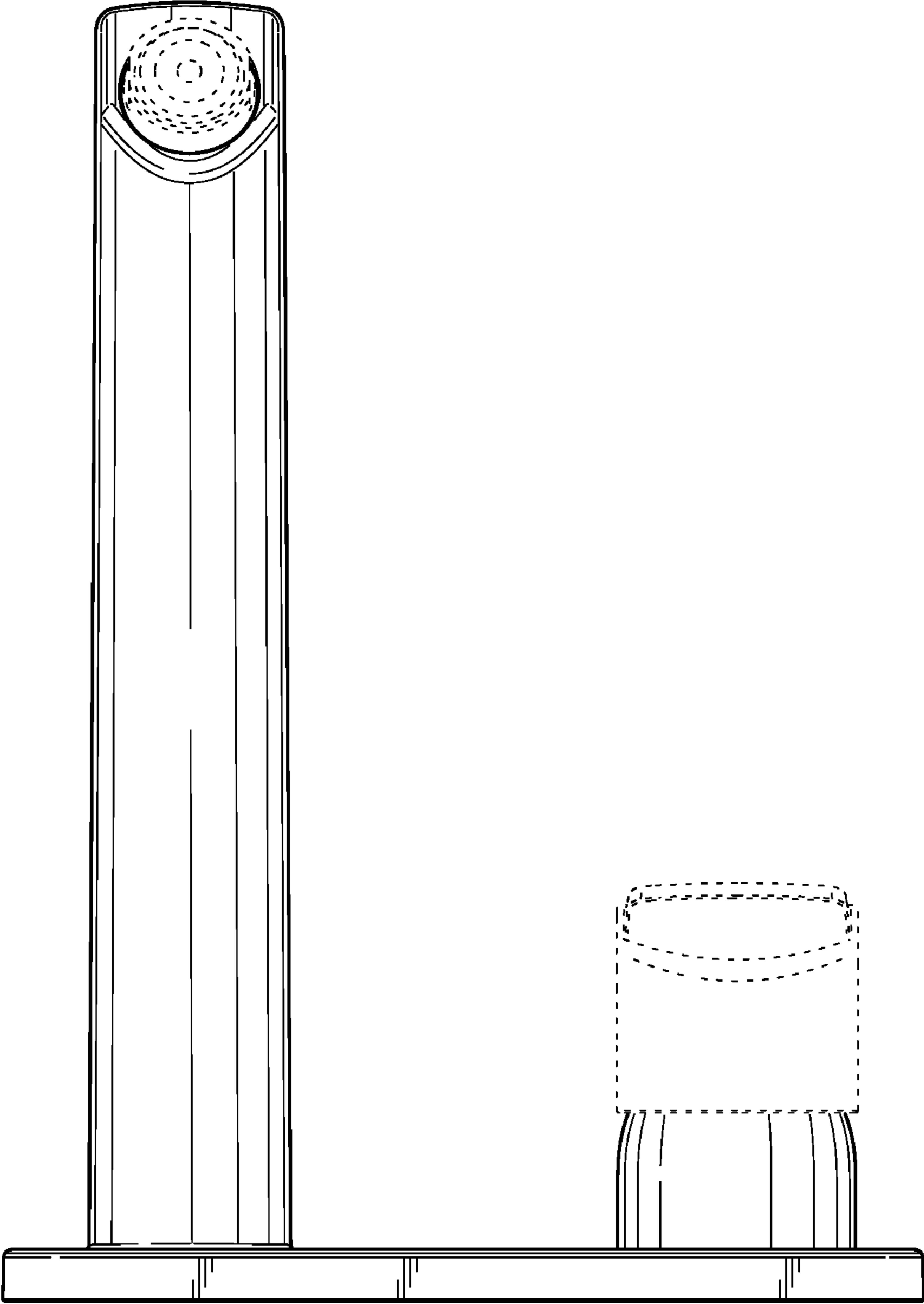


FIG. 6