



US00D636064S

(12) **United States Design Patent**  
**Schoenherr et al.**

(10) **Patent No.:** **US D636,064 S**  
(45) **Date of Patent:** **\*\* Apr. 12, 2011**

(54) **FAUCET**

(75) Inventors: **Tom Schoenherr**, Stuttgart (DE); **Erkan Bilgic**, Stuttgart (DE)

(73) Assignee: **Hansgrohe AG**, Schiltach (DE)

(\*\*) Term: **14 Years**

(21) Appl. No.: **29/367,358**

(22) Filed: **Aug. 6, 2010**

(30) **Foreign Application Priority Data**

Feb. 10, 2010 (EM) ..... 001194757-0003

(51) **LOC (9) Cl.** ..... **23-01**

(52) **U.S. Cl.** ..... **D23/255**

(58) **Field of Classification Search** ..... D23/238,  
D23/241-242, 255, 257, 249; 4/675-678;  
137/801

See application file for complete search history.

(56) **References Cited**

U.S. PATENT DOCUMENTS

D524,416 S \* 7/2006 Haug et al. .... D23/238  
D603,020 S \* 10/2009 Flowers et al. .... D23/238  
D605,261 S \* 12/2009 Allard ..... D23/255

\* cited by examiner

*Primary Examiner* — Robert A Delehanty

(74) *Attorney, Agent, or Firm* — Nirav D. Parikh; Lora J. Graentzdoerffer; Edgar A. Zarins

(57) **CLAIM**

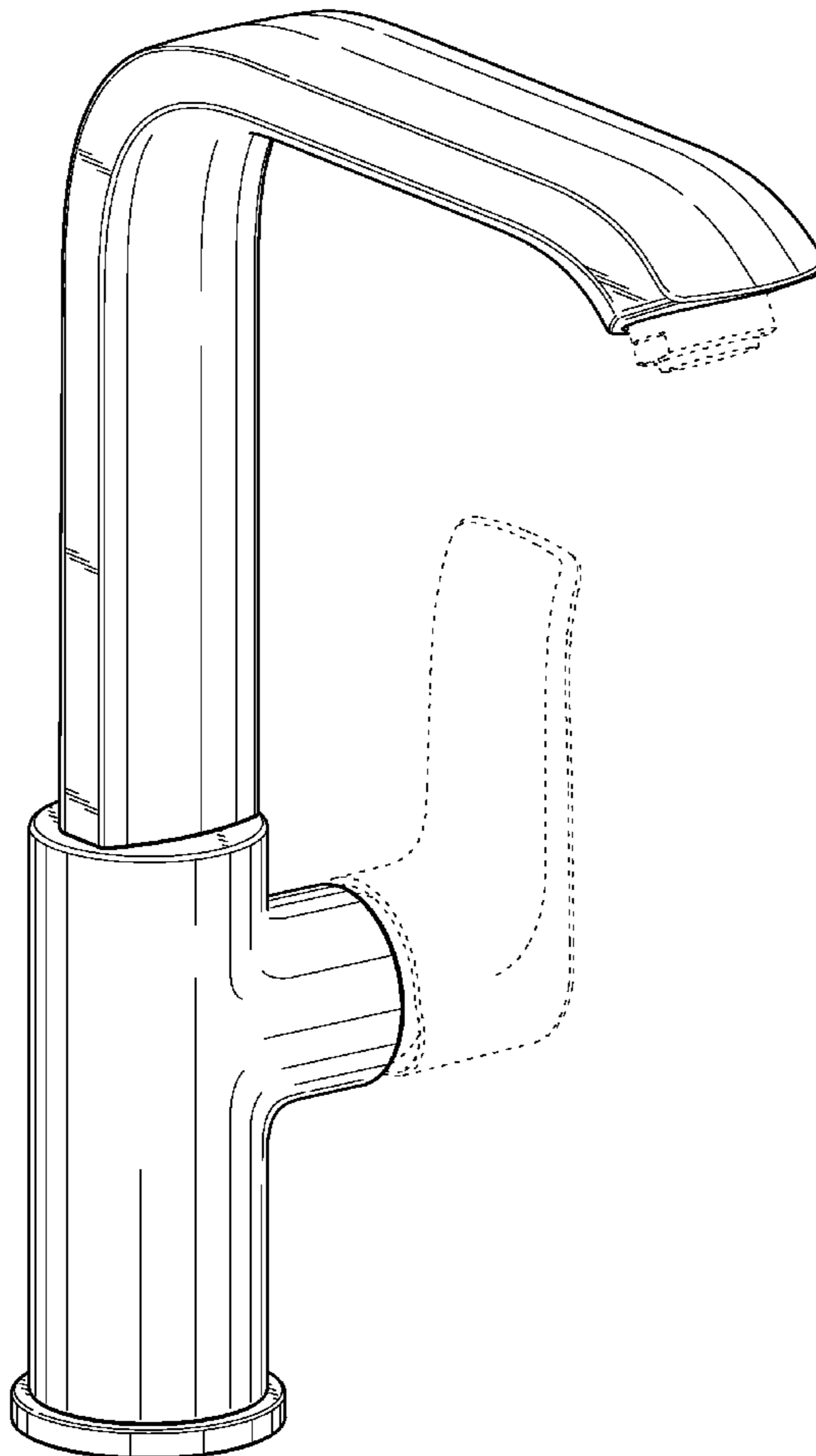
The ornamental design for a faucet, as shown and described.

**DESCRIPTION**

FIG. 1 is a perspective view of a faucet showing our design;  
FIG. 2 is a front elevational view thereof;  
FIG. 3 is a rear elevational view thereof;  
FIG. 4 is a left side elevational view thereof;  
FIG. 5 is a right side elevational view thereof;  
FIG. 6 is a top plan view thereof; and,  
FIG. 7 is a bottom plan view thereof.

The broken lines in the drawings represent unclaimed portions of the design and form no part of the claimed design.

**1 Claim, 7 Drawing Sheets**



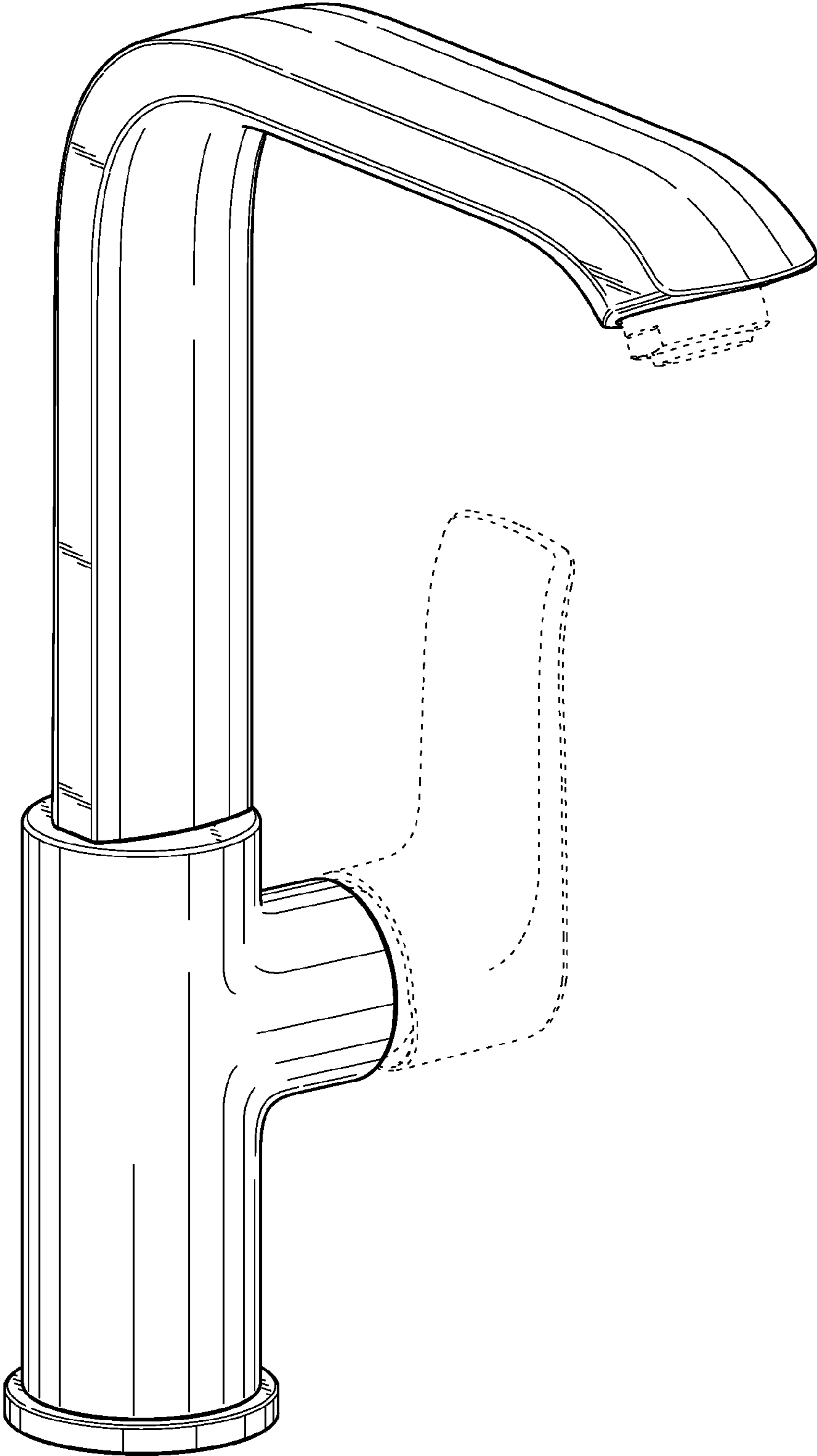


FIG. 1

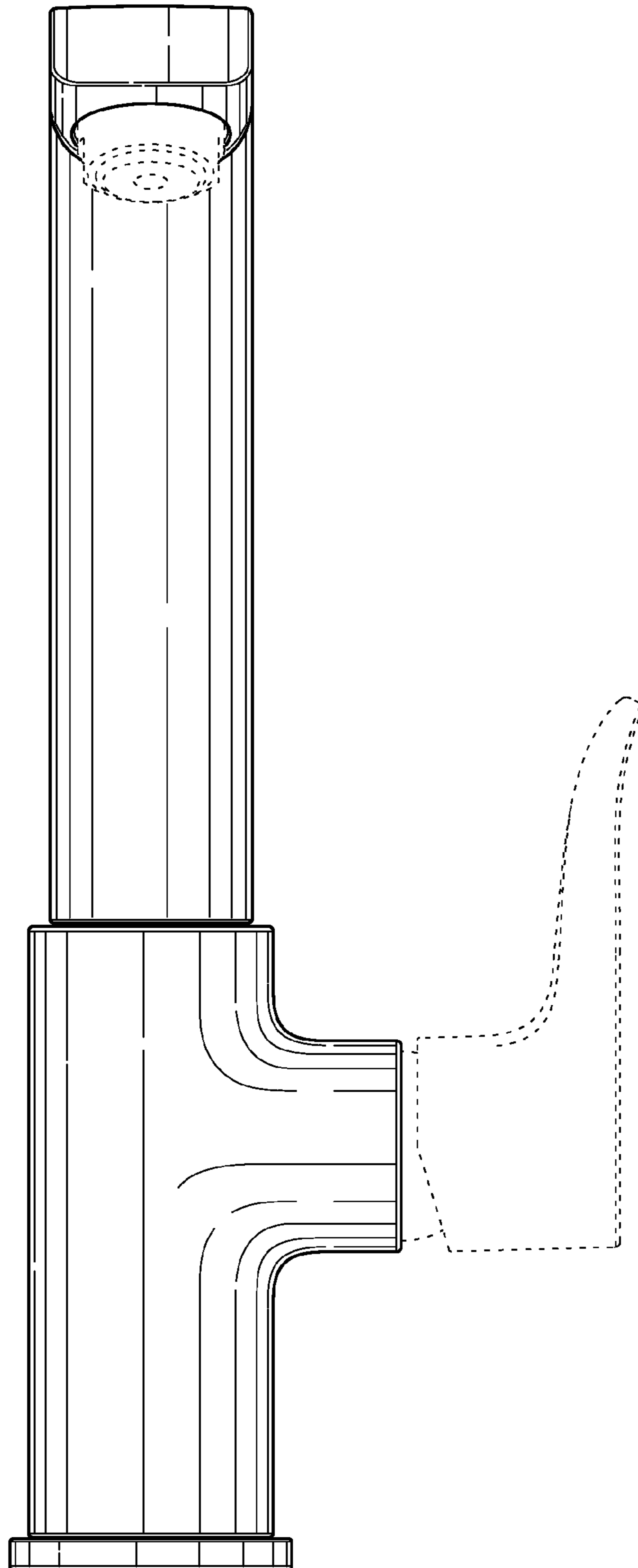


FIG. 2

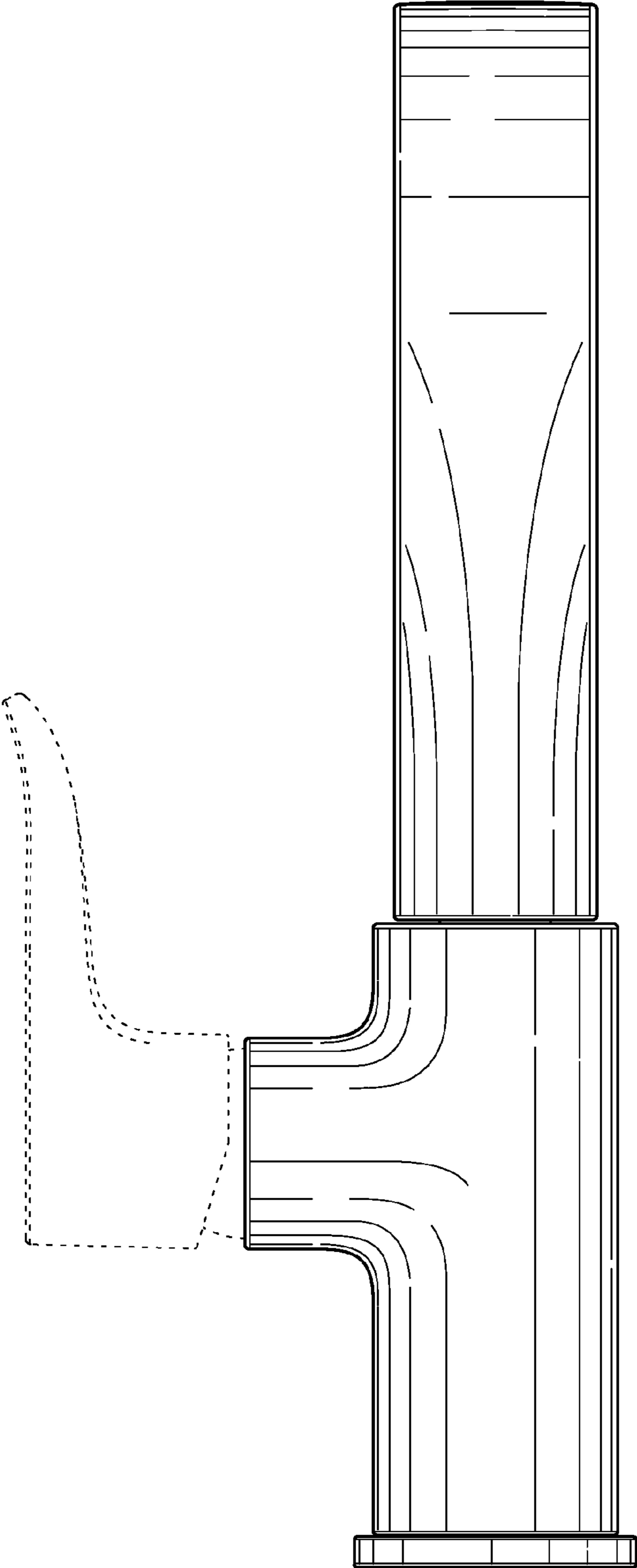


FIG. 3

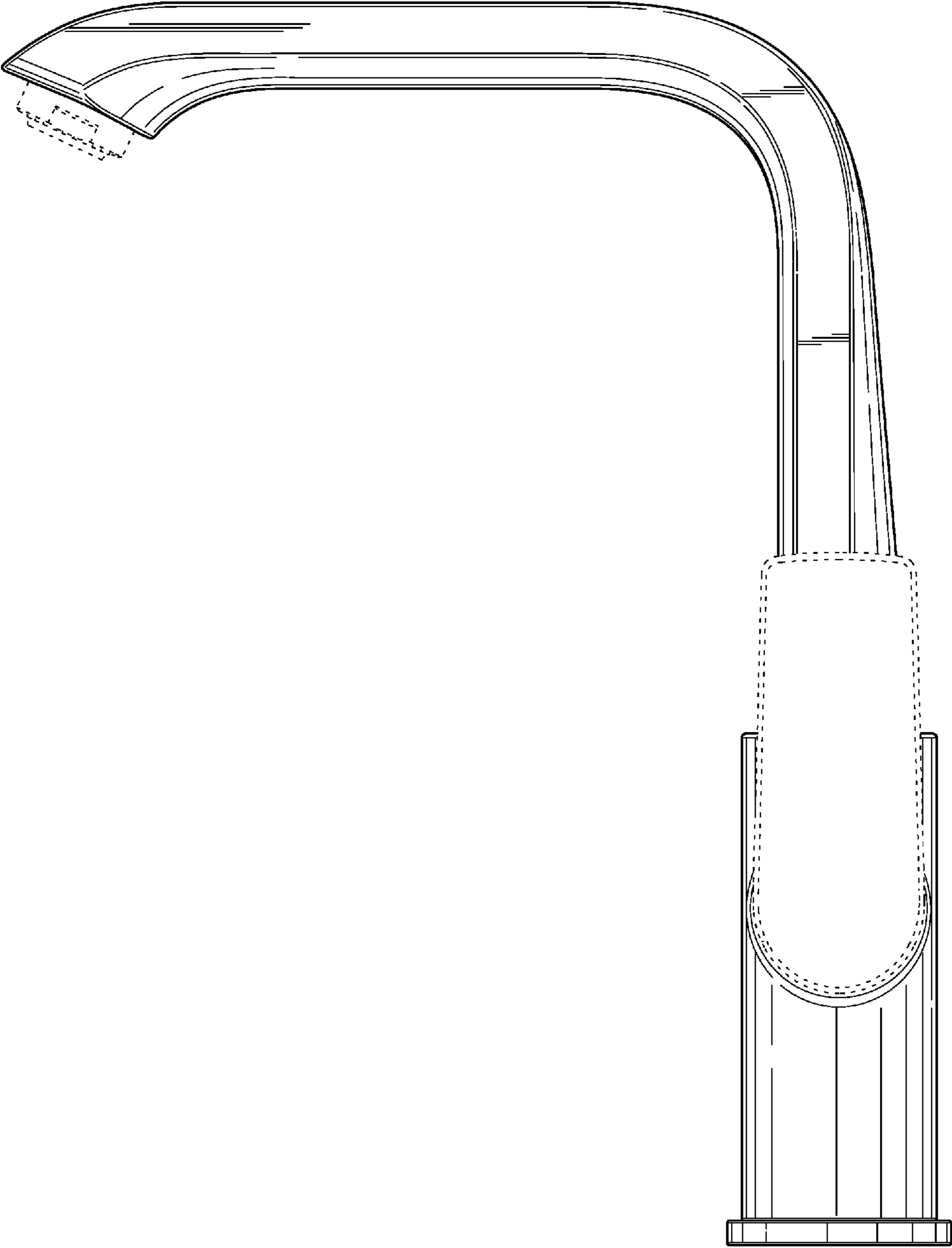


FIG. 4

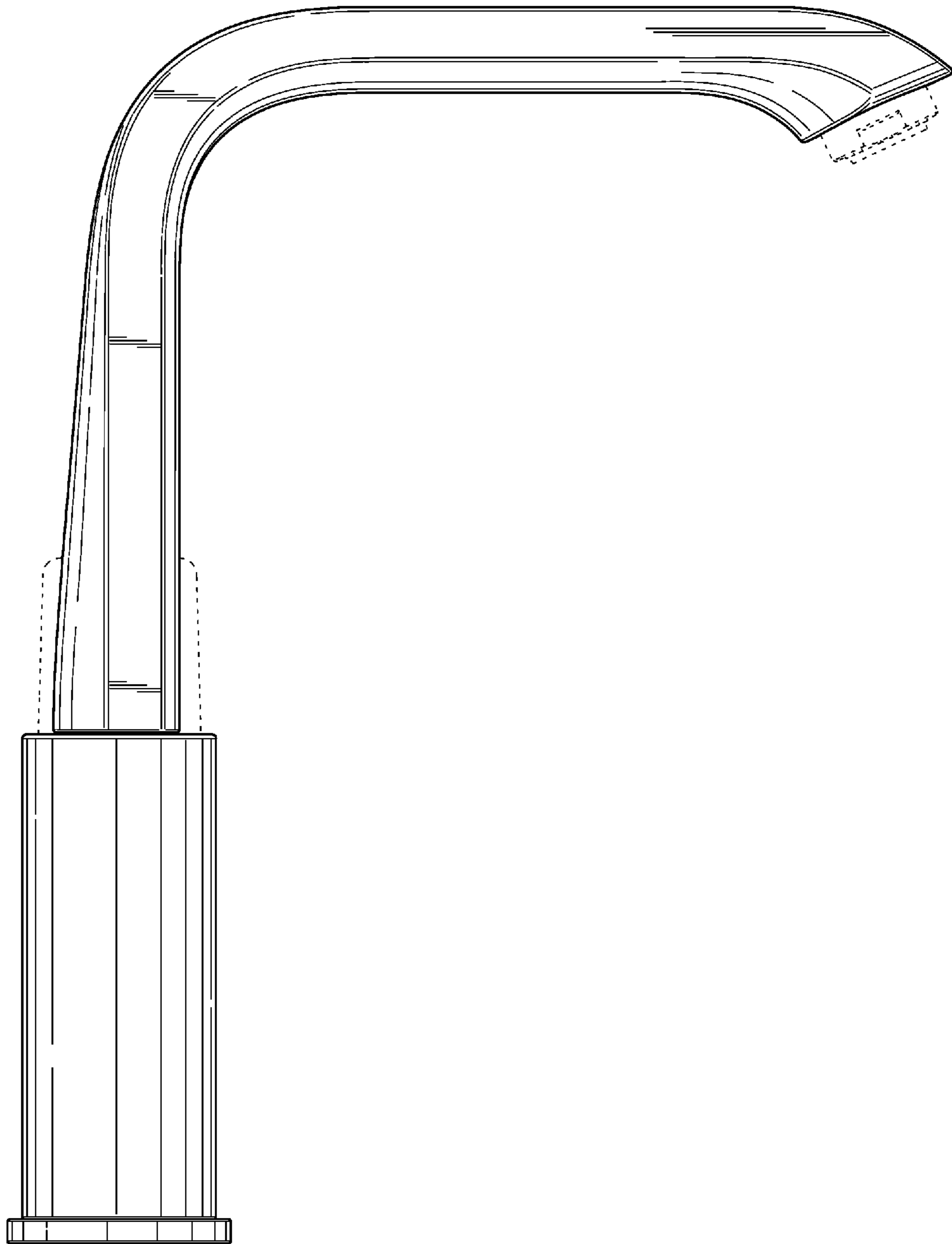


FIG. 5

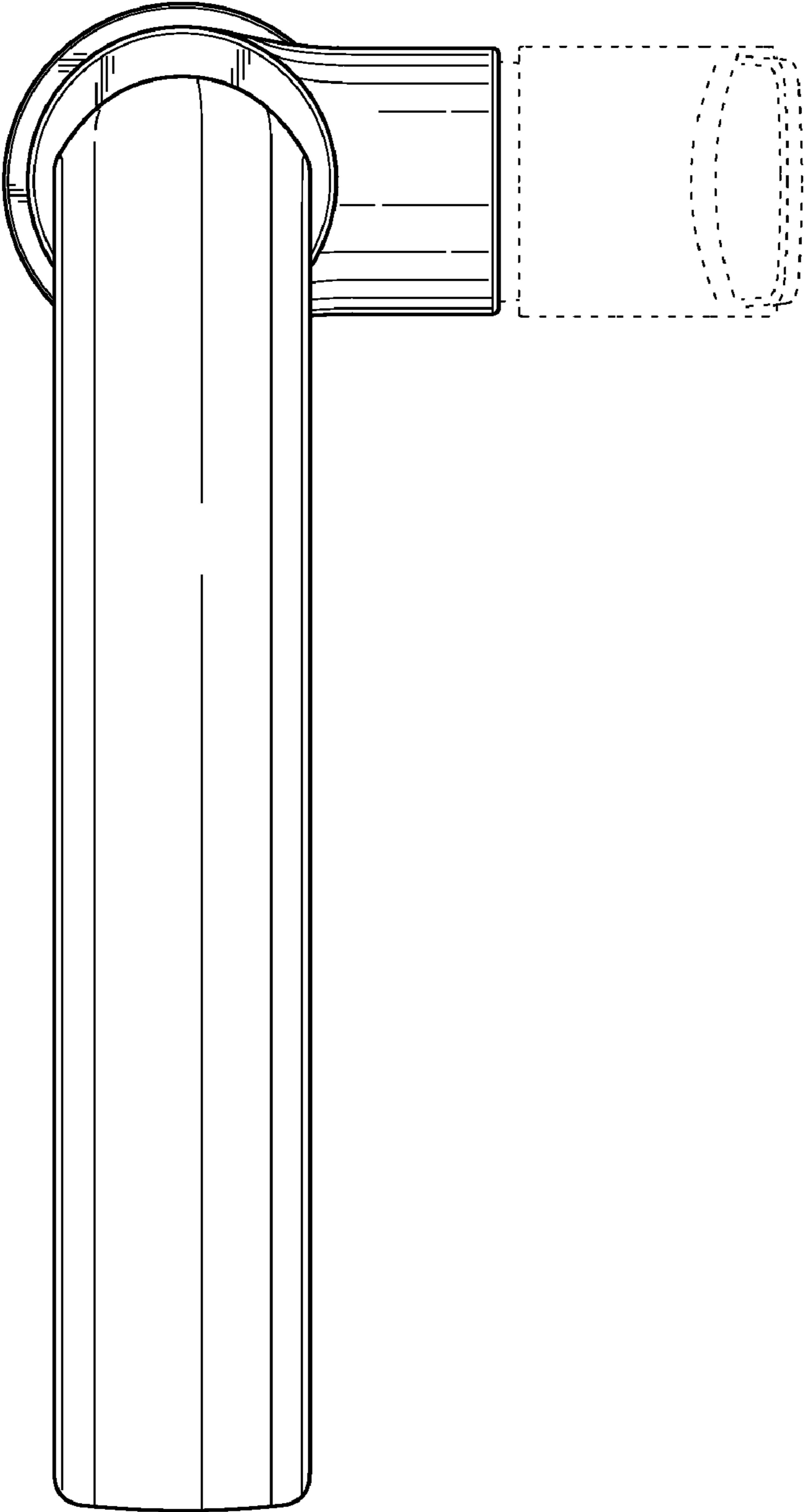


FIG. 6

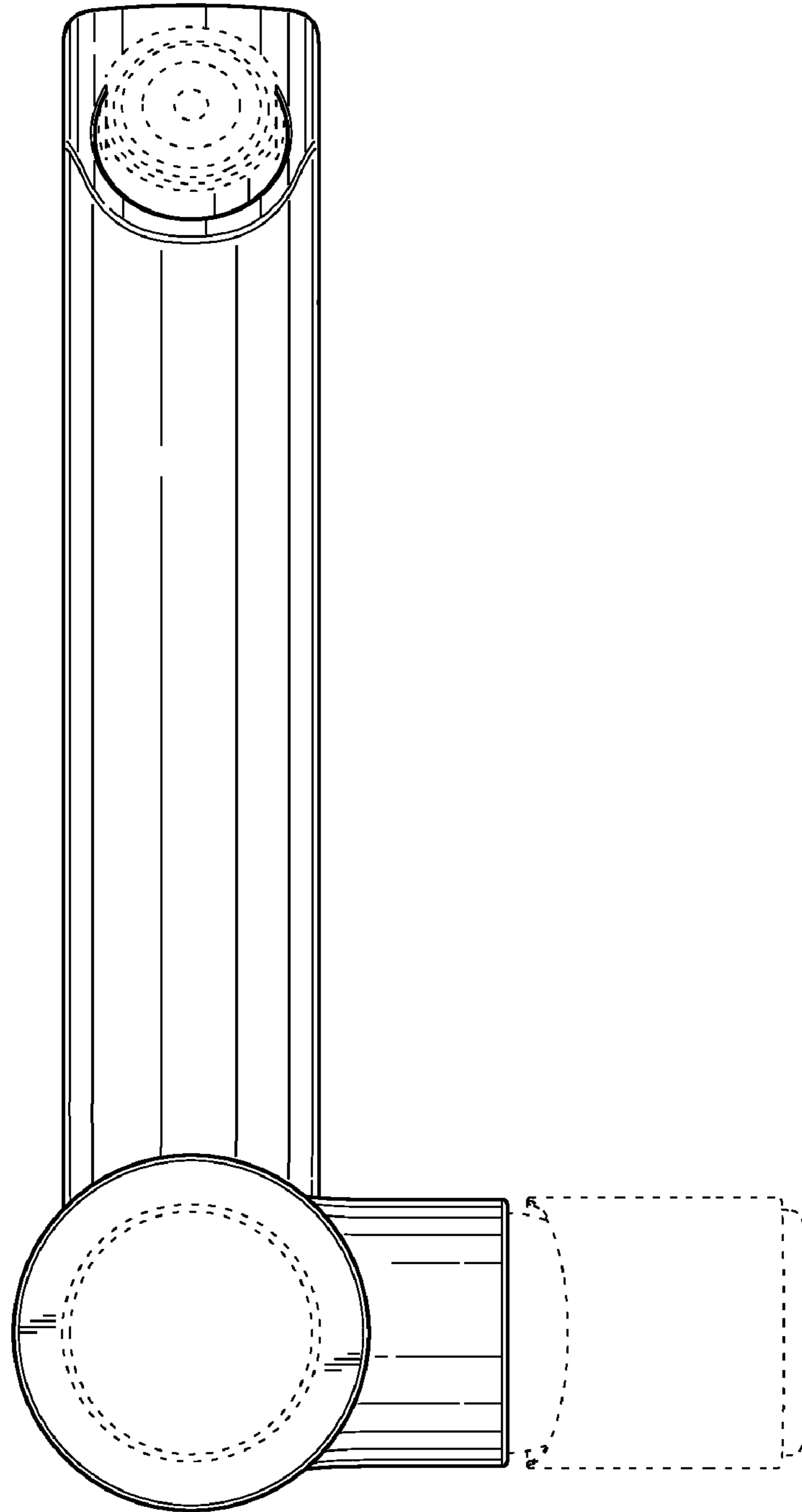


FIG. 7