



US00D636062S

(12) **United States Design Patent**
Rubin et al.

(10) **Patent No.:** **US D636,062 S**

(45) **Date of Patent:** **** Apr. 12, 2011**

(54) **FAUCET**

(75) Inventors: **Leila M. Rubin**, Sheboygan, WI (US);
Gregory De Swarte, Sheboygan, WI
(US); **Herbert V. Kohler, Jr.**, Kohler, WI
(US)

(73) Assignee: **Kohler Co.**, Kohler, WI (US)

(**) Term: **14 Years**

(21) Appl. No.: **29/357,664**

(22) Filed: **Mar. 16, 2010**

(51) **LOC (9) Cl.** **23-01**

(52) **U.S. Cl.** **D23/238**

(58) **Field of Classification Search** D23/238,
D23/242-243, 250, 252-254, 255, 257; 137/801

See application file for complete search history.

(56) **References Cited**

U.S. PATENT DOCUMENTS

D513,060 S * 12/2005 Ouyoung D23/238
D577,104 S * 9/2008 Latorraca D23/238

* cited by examiner

Primary Examiner — Robert A Delehanty
(74) *Attorney, Agent, or Firm* — Foley & Lardner LLP

(57) **CLAIM**

The ornamental design for a faucet, as shown and described.

DESCRIPTION

FIG. 1 is an perspective view of the front, top, and right side of a faucet embodying my new design;
FIG. 2 is a rear elevational view thereof;
FIG. 3 is a front elevational view thereof;
FIG. 4 is a right side elevational view thereof;
FIG. 5 is a left side elevational view thereof;
FIG. 6 is a top plan view thereof; and,
FIG. 7 is a bottom plan view thereof.
The broken lines in the drawings form no part of the claimed design.

1 Claim, 4 Drawing Sheets

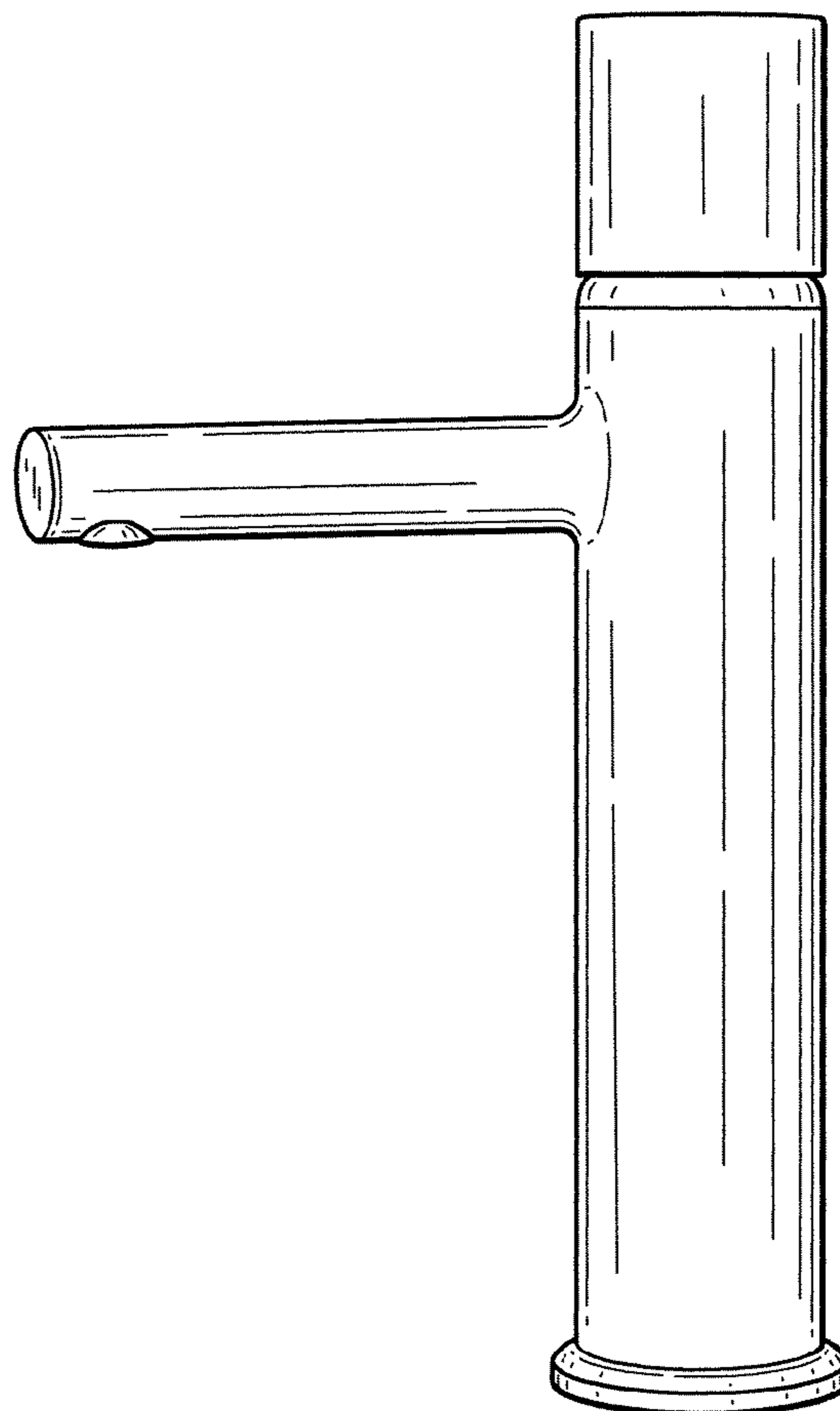


FIG. 1

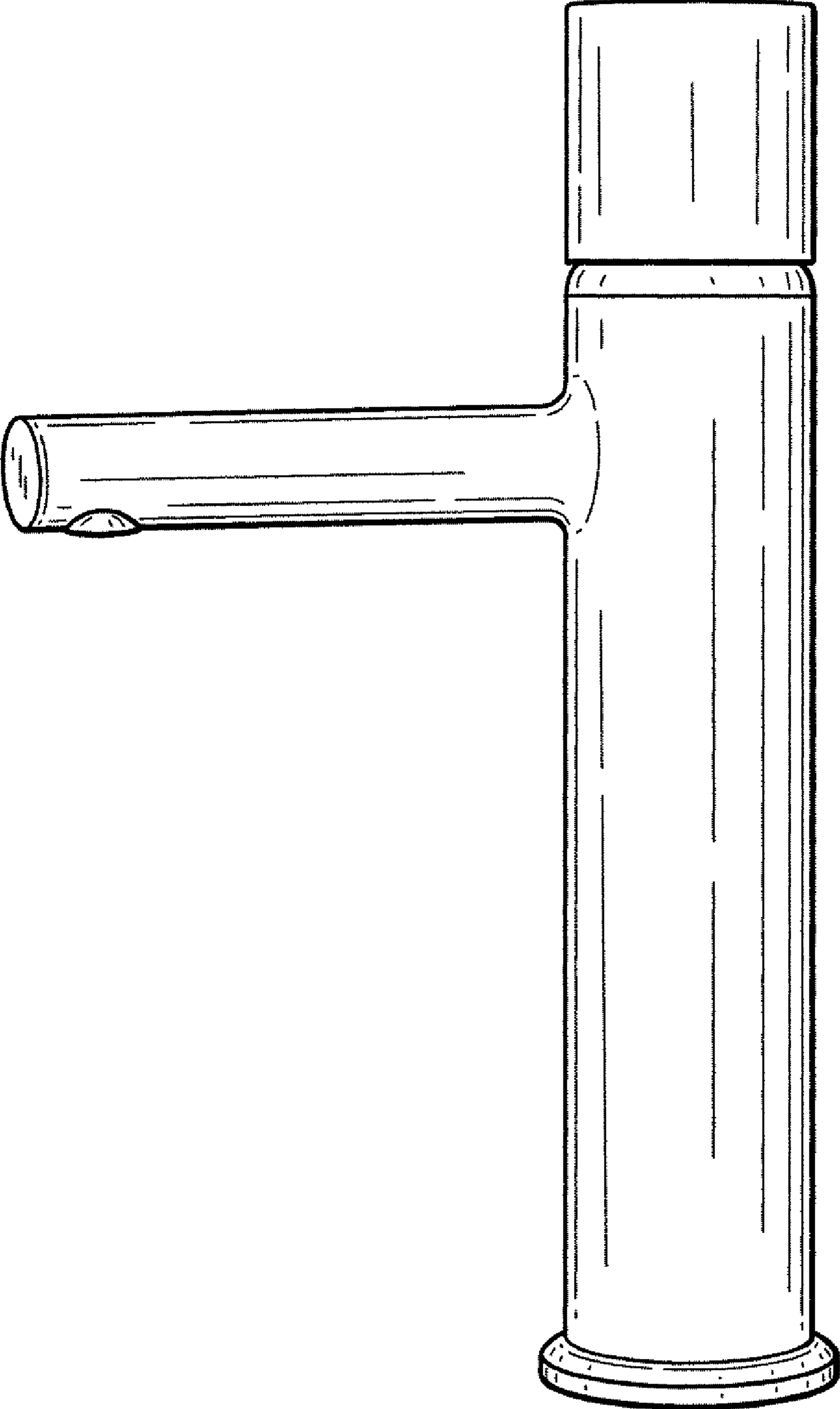


FIG. 2

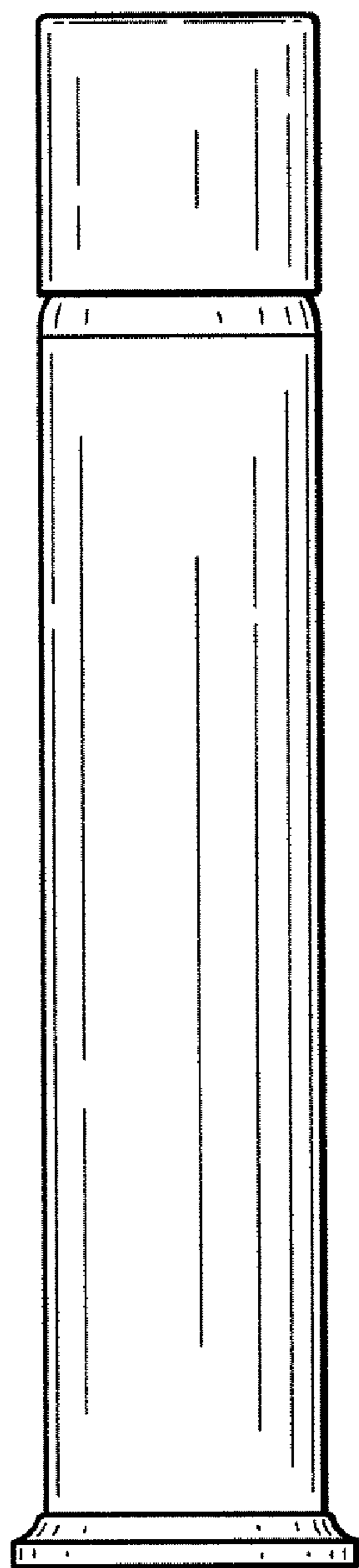


FIG. 3

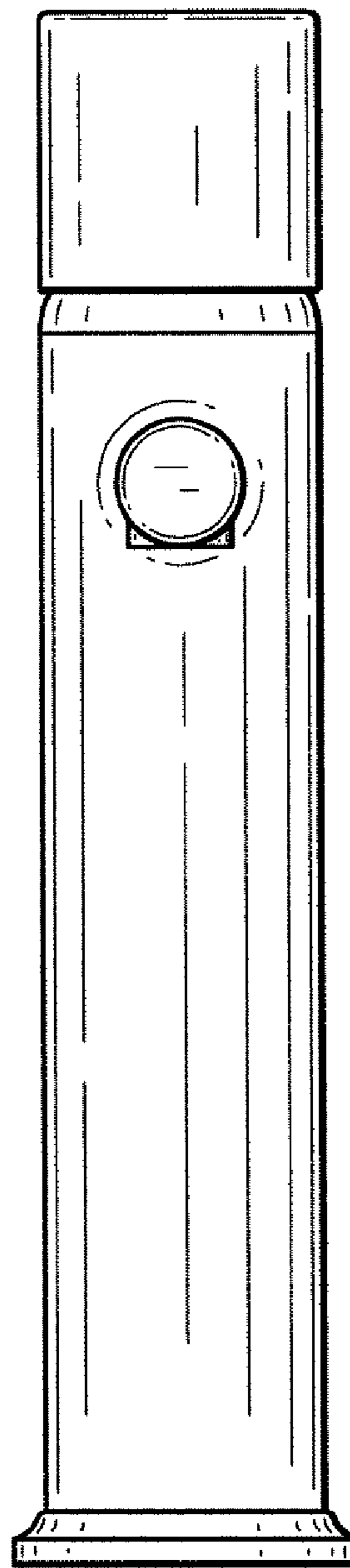


FIG. 4

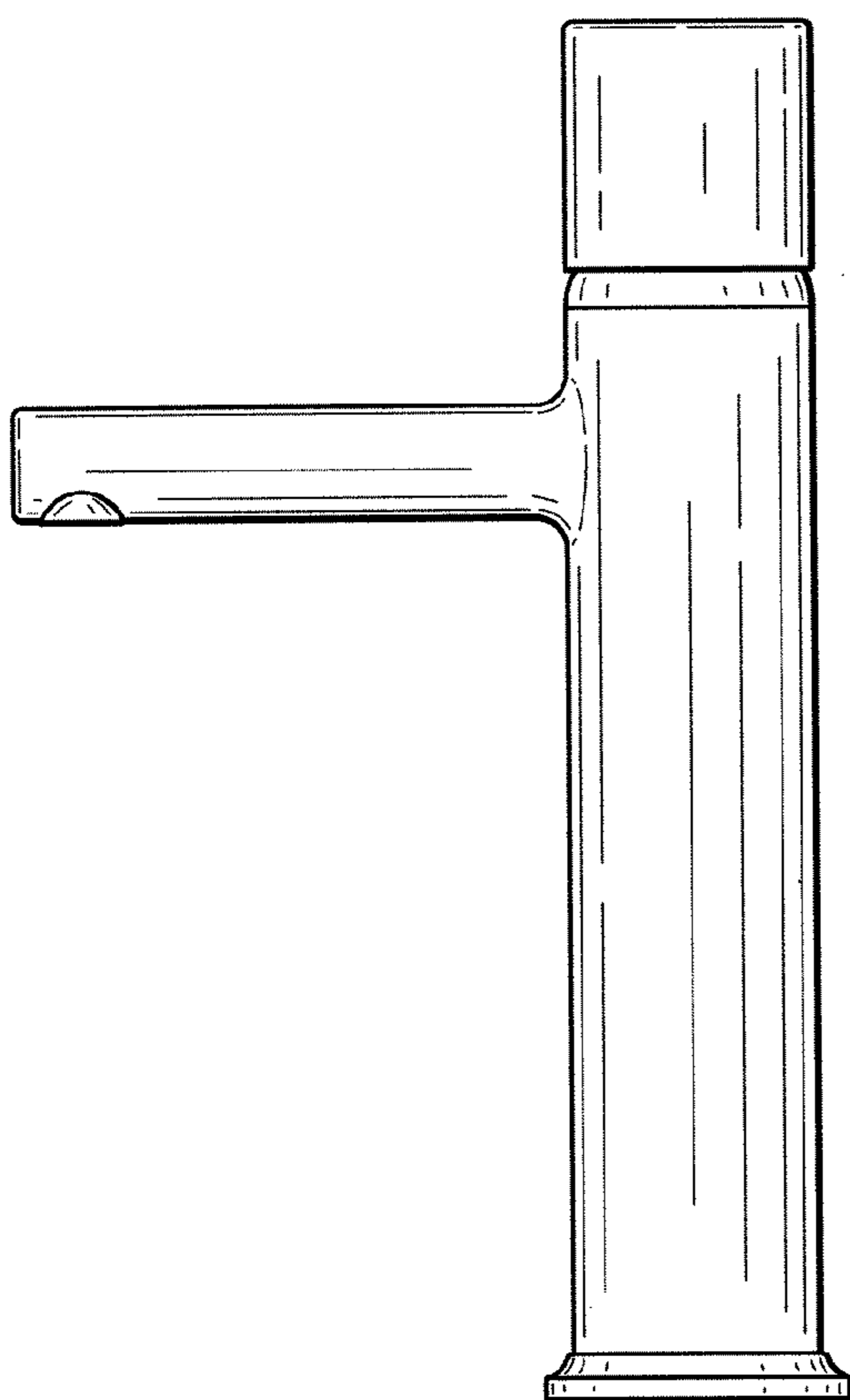


FIG. 5

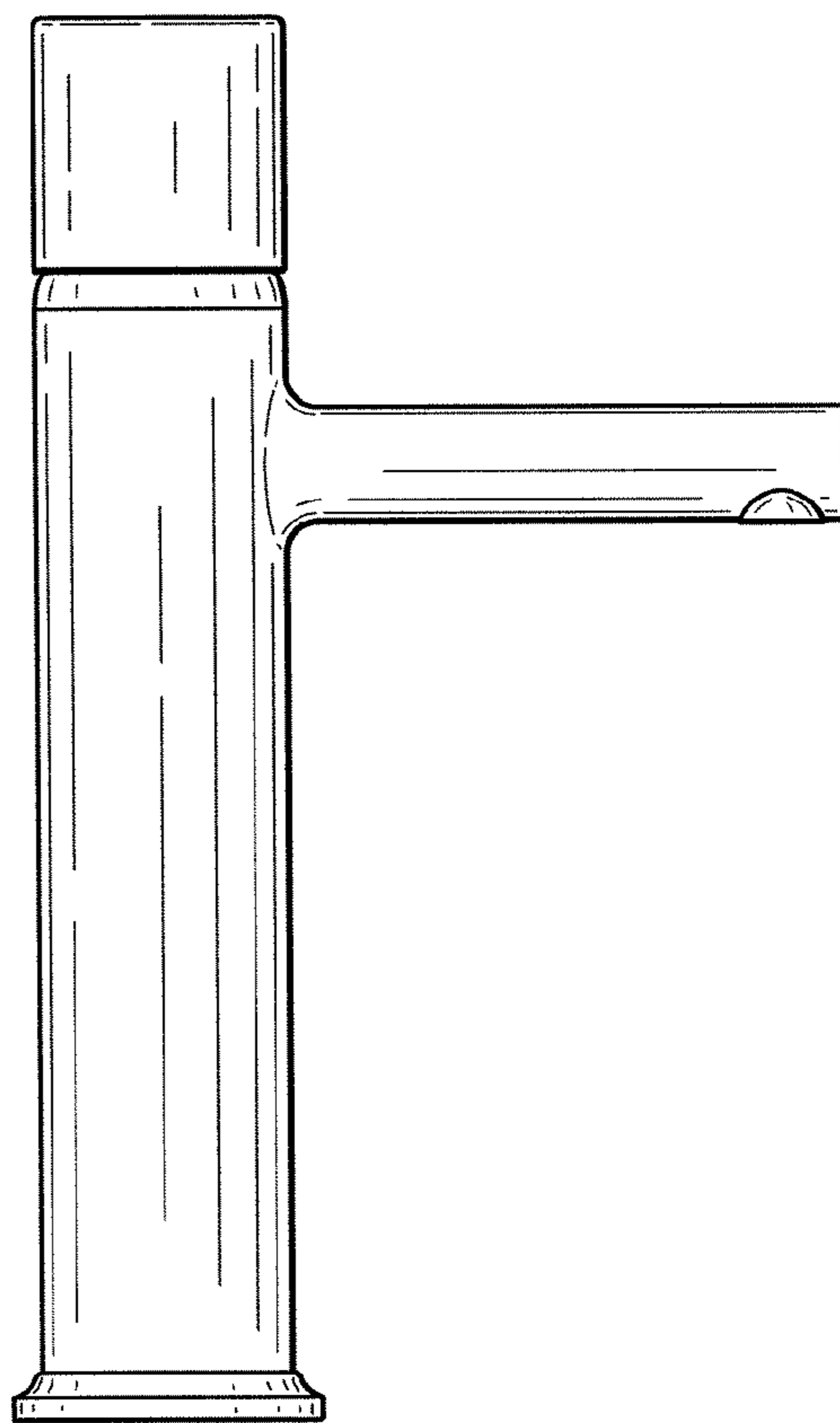


FIG. 6

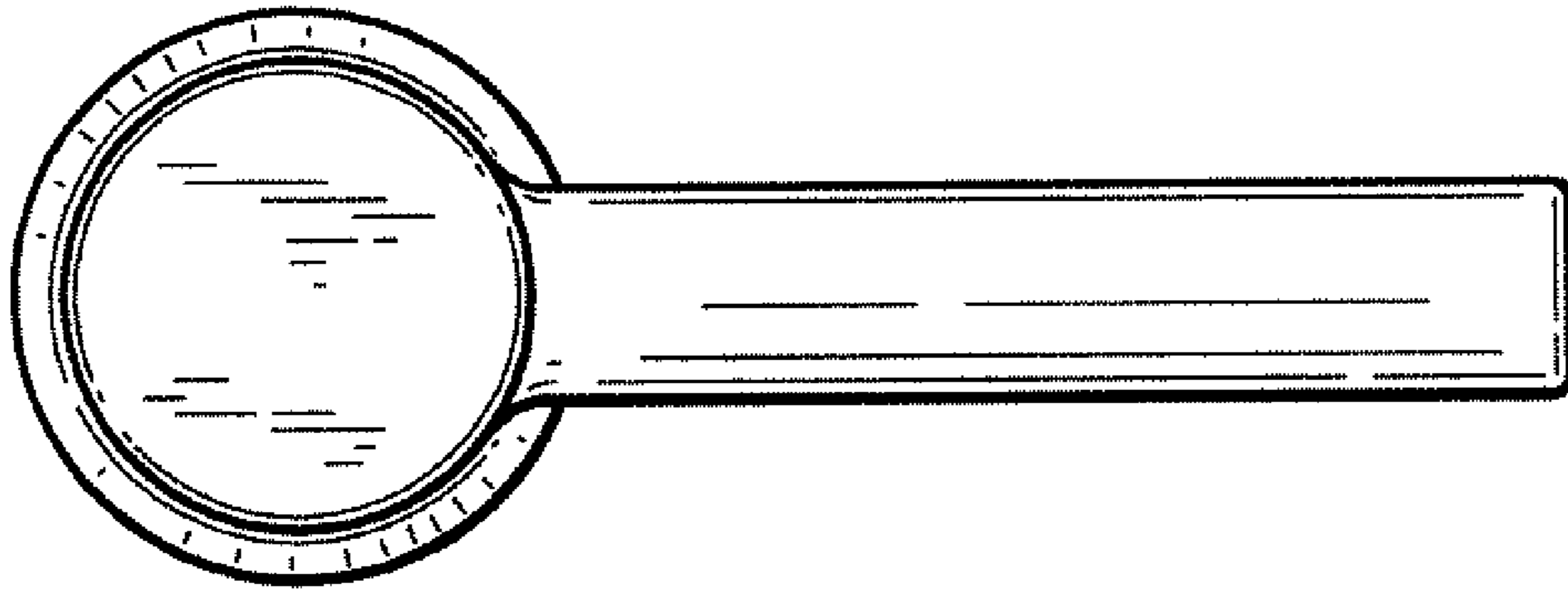


FIG. 7

