



US00D636061S

(12) **United States Design Patent**  
**Kulig**

(10) **Patent No.:** **US D636,061 S**

(45) **Date of Patent:** **\*\* Apr. 12, 2011**

(54) **FAUCET**

(75) **Inventor:** **Zbigniew Kulig**, Wadworth, IL (US)

(73) **Assignee:** **Graff Faucets**, Milwaukee, WI (US)

(\*\*) **Term:** **14 Years**

(21) **Appl. No.:** **29/350,390**

(22) **Filed:** **Nov. 16, 2009**

(51) **LOC (9) Cl.** ..... **23-01**

(52) **U.S. Cl.** ..... **D23/238**

(58) **Field of Classification Search** ..... D23/238,  
D23/242-243, 250, 252-254, 255, 257; 137/801  
See application file for complete search history.

(56) **References Cited**

**U.S. PATENT DOCUMENTS**

D510,978 S	10/2005	Kulig	
D511,201 S	11/2005	Kulig et al.	
D517,647 S	3/2006	Kulig	
D577,104 S *	9/2008	Latorraca	..... D23/238
D579,521 S	10/2008	Kulig	
D598,071 S *	8/2009	Lammel et al.	..... D23/238
7,743,438 B2 *	6/2010	Chen	..... 137/801

**OTHER PUBLICATIONS**

Blanco America, Alta Kitchen Faucet, [http://www.blancoamerica.com/\\_Faucets/157-067-CR.htm?tmp=faucet](http://www.blancoamerica.com/_Faucets/157-067-CR.htm?tmp=faucet) (Oct. 29, 2009).

Kulig, U.S. Appl. No. 29/340,739, filed Jul. 24, 2009, entitled "Faucet".

Kulig, U.S. Appl. No. 29/326,195, filed Oct. 14, 2008, entitled "Faucet".

\* cited by examiner

*Primary Examiner* — Robert A Delehanty

(74) *Attorney, Agent, or Firm* — Boyle Fredrickson, S.C.

(57) **CLAIM**

The ornamental design for a faucet, as shown and described.

**DESCRIPTION**

FIG. 1 is perspective view of a faucet incorporating my new design, viewed from in front of, above, and from the left side of the faucet;

FIG. 2 is a right-side elevation view thereof;

FIG. 3 is a left-side elevation view thereof;

FIG. 4 is a front elevation view thereof;

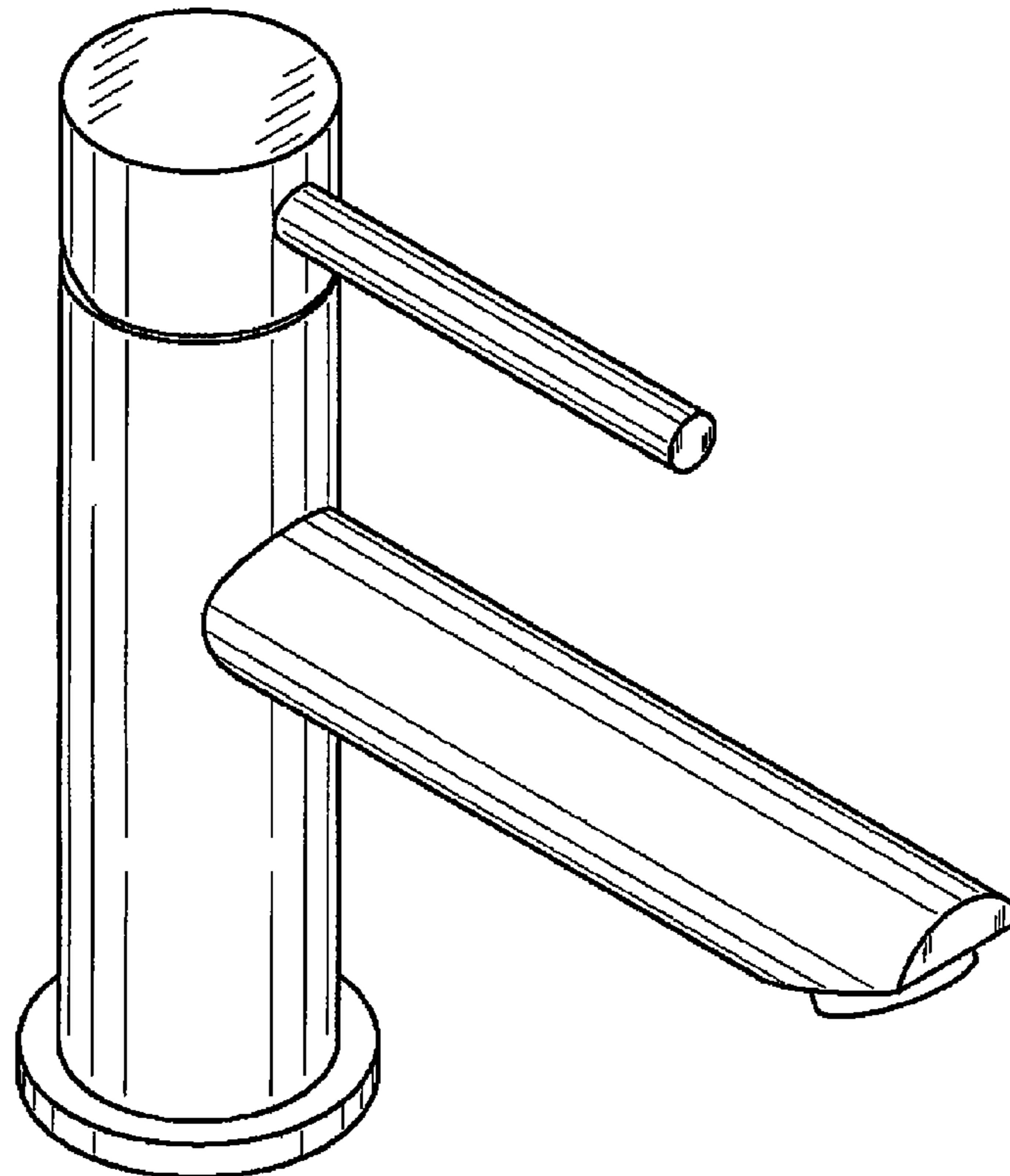
FIG. 5 is a rear elevation view thereof;

FIG. 6 is a top plan view thereof; and,

FIG. 7 is a bottom plan view thereof.

The broken lines in FIGS. 4 and 7 are for illustrative purposes only and form no part of the claimed design.

**1 Claim, 7 Drawing Sheets**



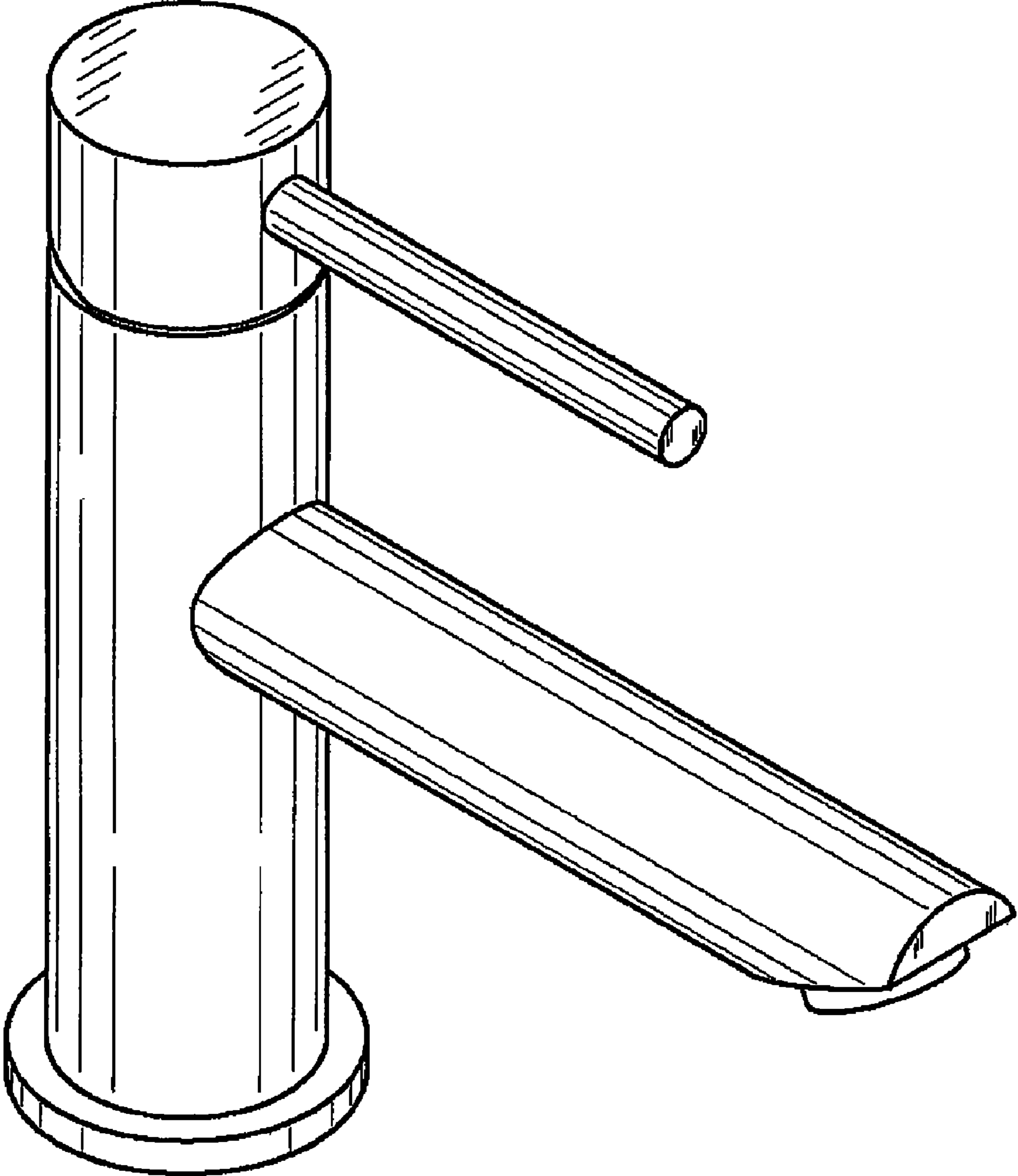


FIG. 1

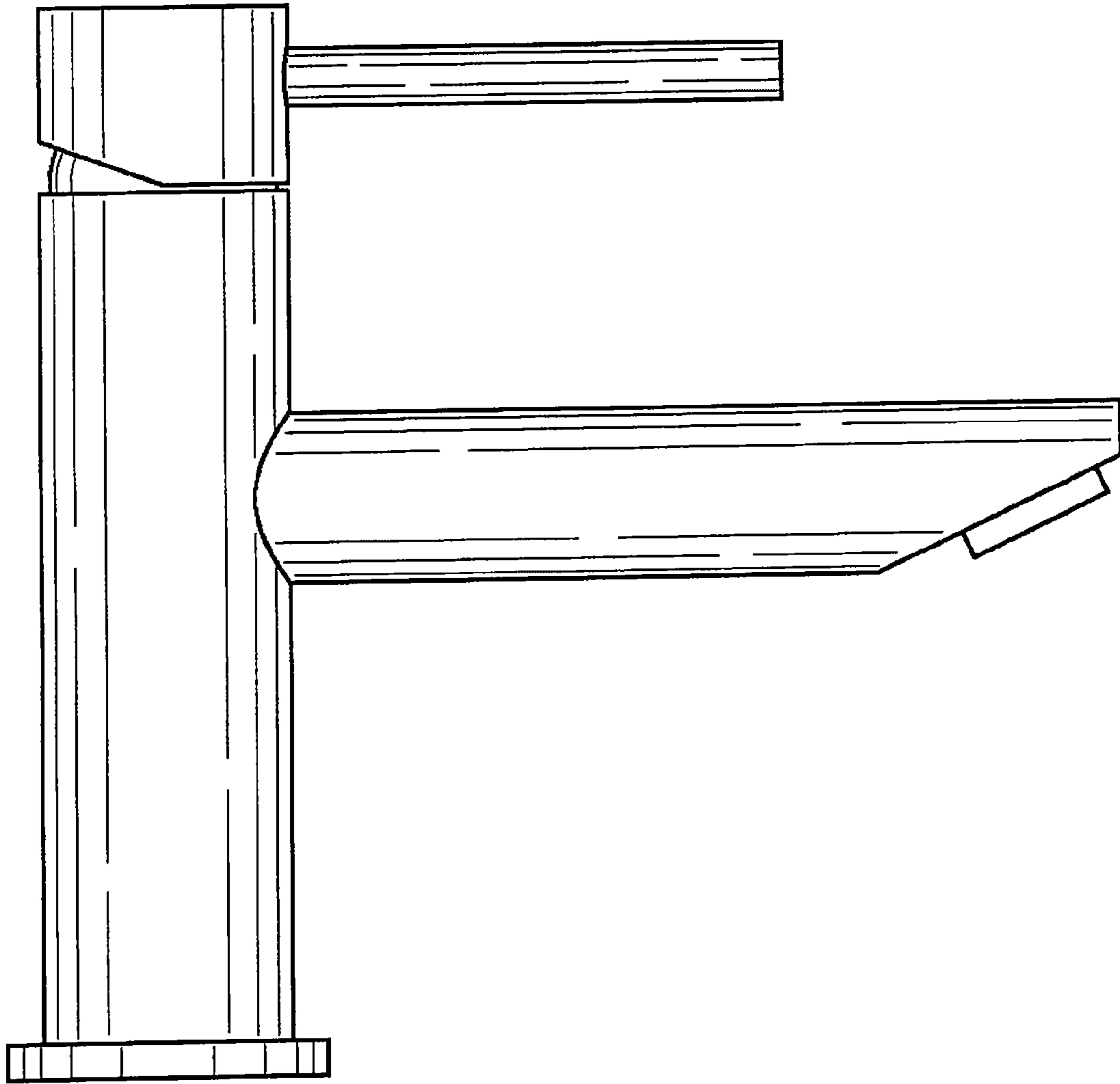


FIG. 2

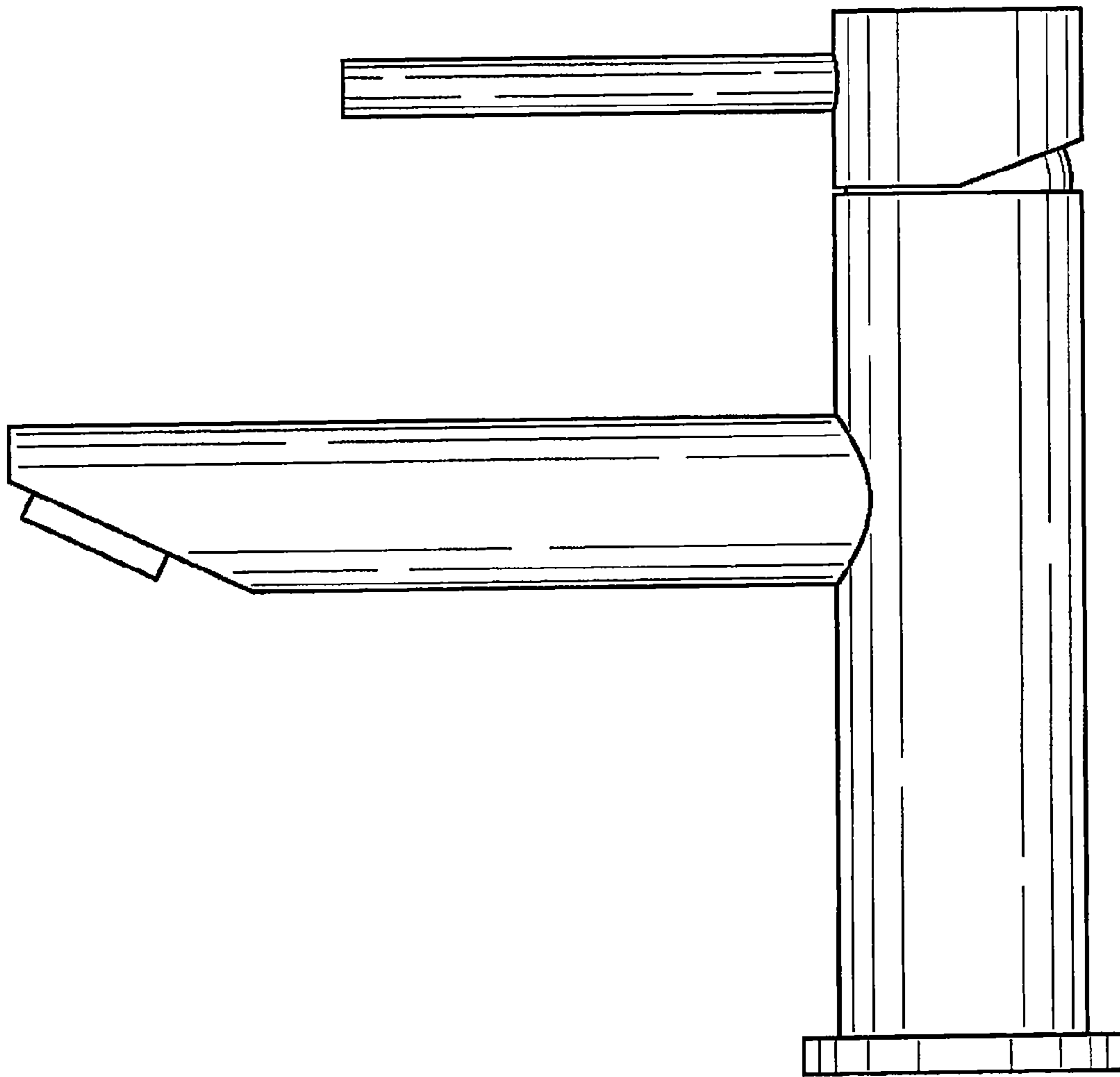


FIG. 3

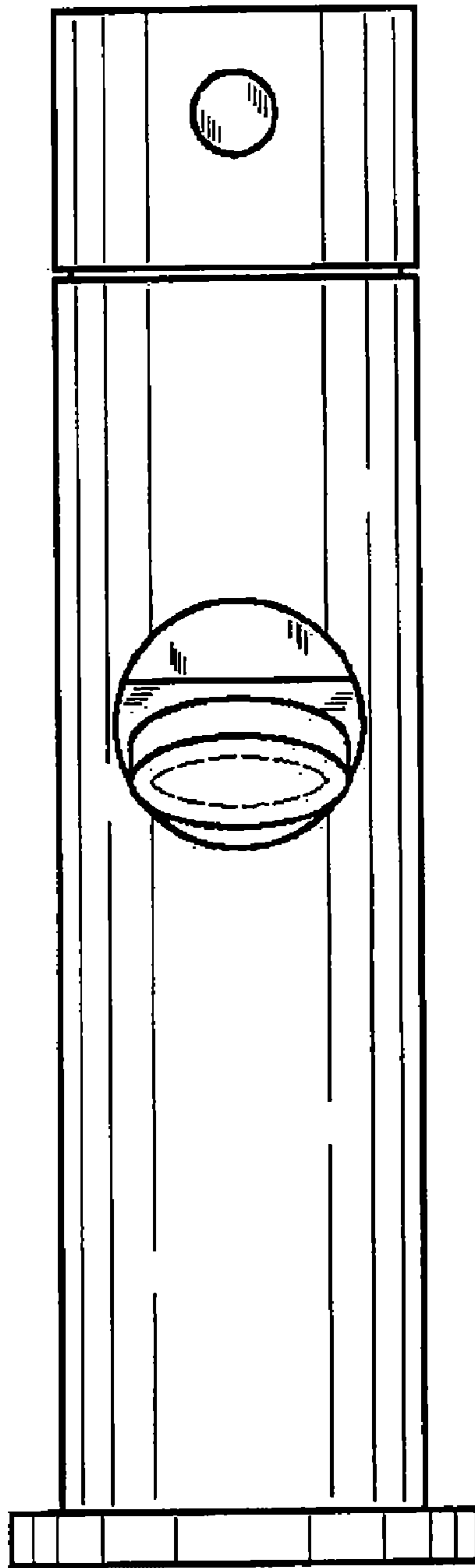


FIG. 4

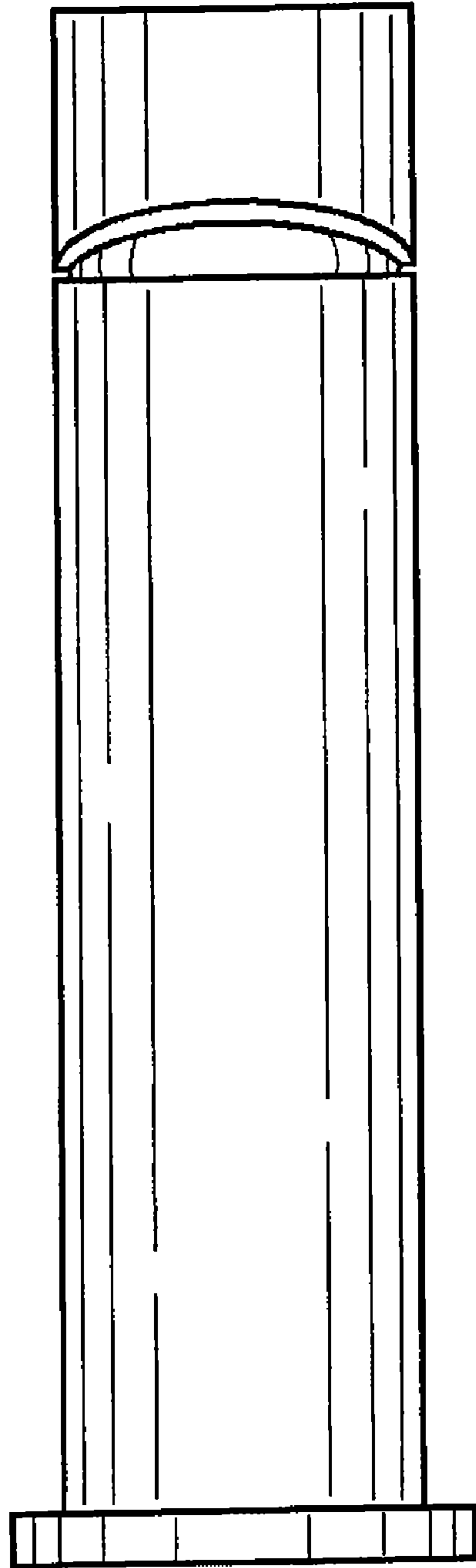


FIG. 5

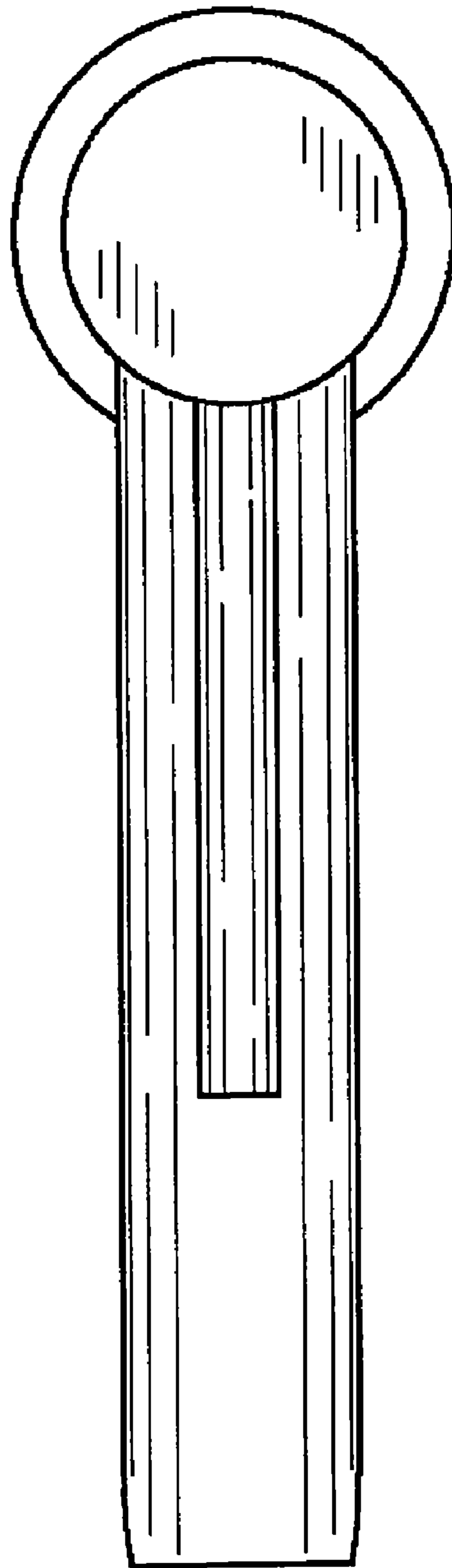


FIG. 6

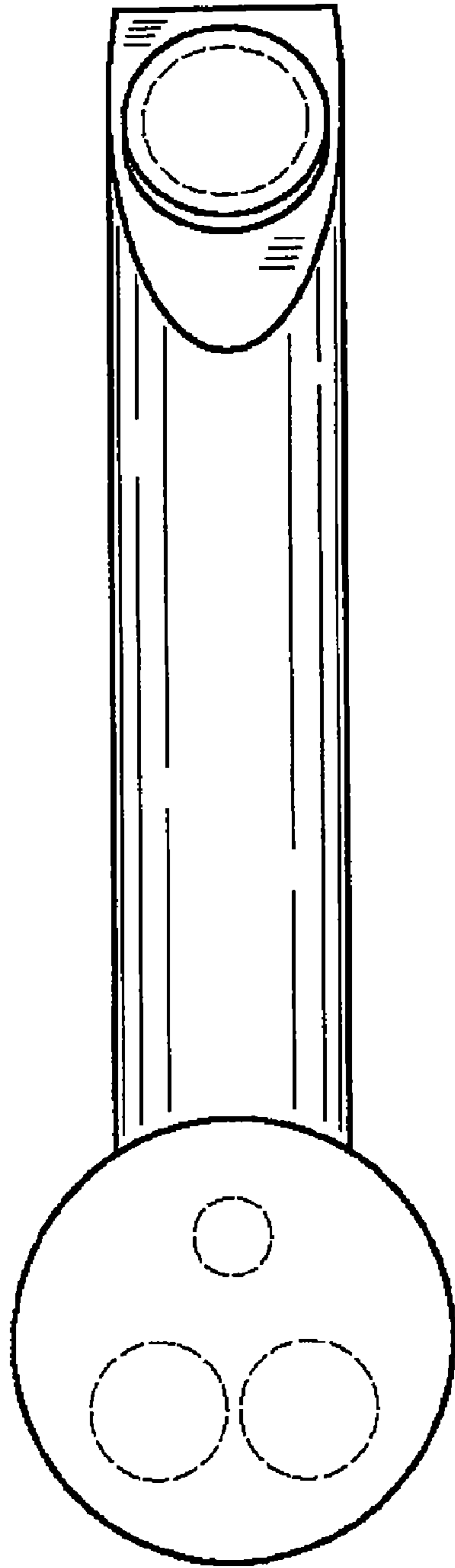


FIG. 7