



US00D636059S

(12) **United States Design Patent**
Shorey et al.

(10) **Patent No.:** **US D636,059 S**

(45) **Date of Patent:** **** Apr. 12, 2011**

(54) **VALVE DIAPHRAGM**

(75) Inventors: **Christopher Wilfred Shorey**, Nowra (AU); **Georgina Elizabeth Morris**, Nowra (AU)

(73) Assignee: **Goyen Controls Co Pty Limited**, Nowra (AU)

(**) Term: **14 Years**

(21) Appl. No.: **29/362,036**

(22) Filed: **May 19, 2010**

(30) **Foreign Application Priority Data**

Nov. 23, 2009 (AU) 328976

(51) **LOC (9) Cl.** **23-01**

(52) **U.S. Cl.** **D23/233**

(58) **Field of Classification Search** D23/233-237, D23/244-249; 137/359-360; 251/30.01, 251/129.16, 129.17, 129.21, 39-40, 45-46, 251/61.1, 331; 92/103 R, 103 F

See application file for complete search history.

(56) **References Cited**

U.S. PATENT DOCUMENTS

D268,048	S	*	2/1983	Ueda	D23/248
D268,049	S	*	2/1983	Ueda	D23/248
D290,640	S	*	6/1987	Andersson	D23/249
D300,554	S	*	4/1989	Kiyota et al.	D23/249
D346,641	S	*	5/1994	Scheurer	D23/233
D470,226	S	*	2/2003	Herbert	D23/249
D470,920	S	*	2/2003	Verdecchia et al.	D23/249

* cited by examiner

Primary Examiner — Cathron C. Brooks

Assistant Examiner — Maurice Stevens

(57) **CLAIM**

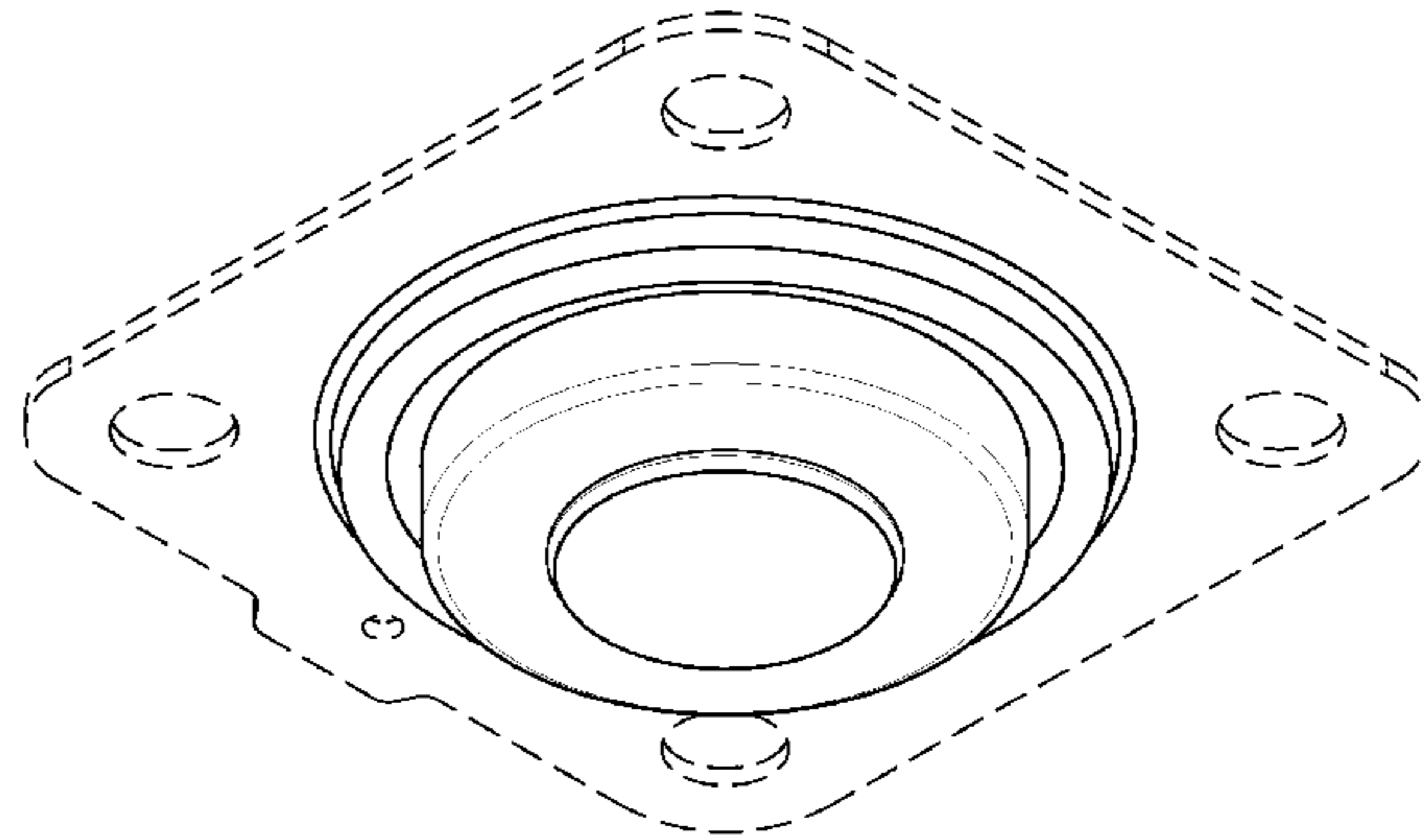
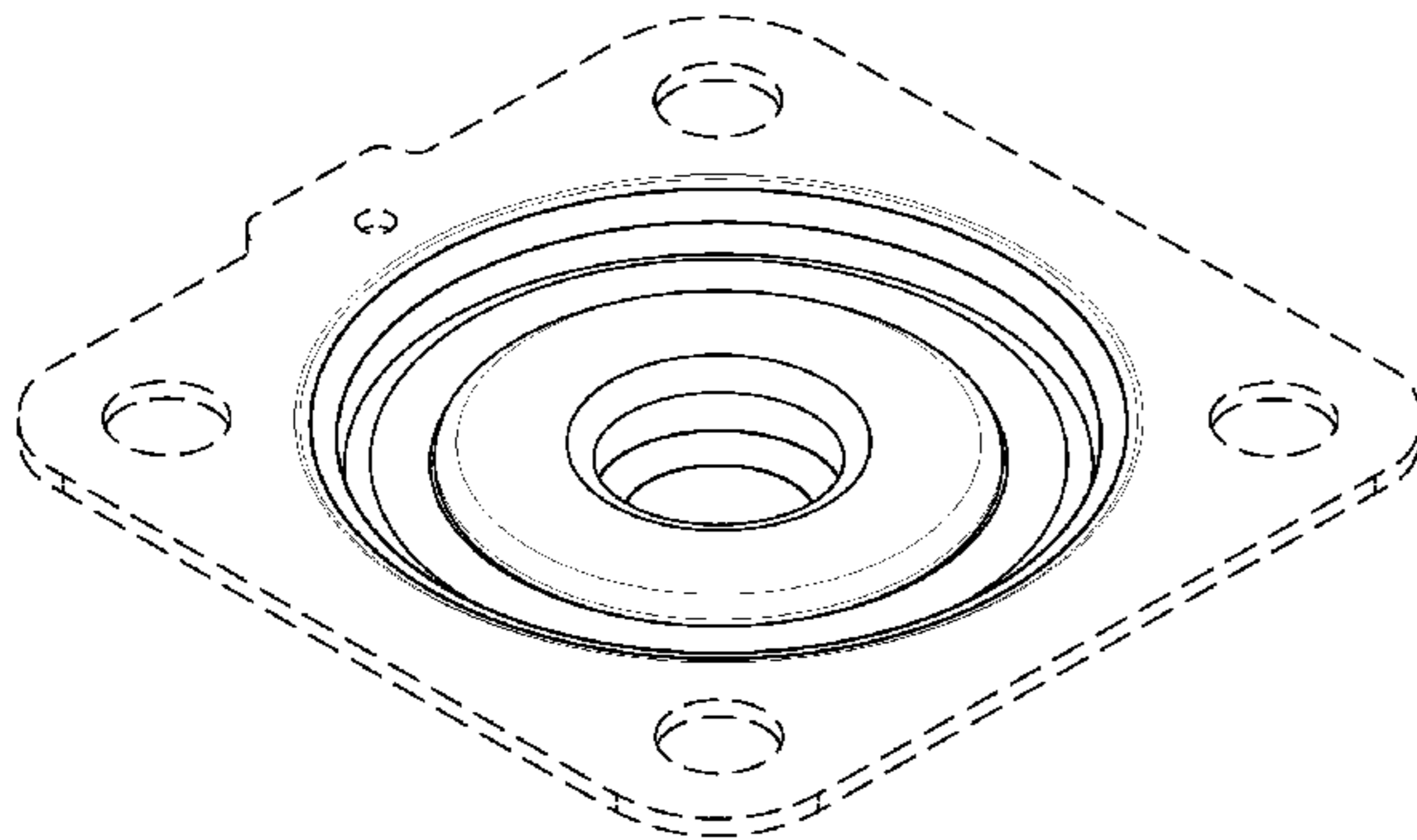
The ornamental design for a valve diaphragm, as shown and described.

DESCRIPTION

FIG. 1 is a top view of our new design;
FIG. 2 is a bottom view of the design of FIG. 1;
FIG. 3 is a top perspective view of the design of FIG. 1;
FIG. 4 is a bottom perspective view of the design of FIG. 1;
FIG. 5 is an elevation view of the design of FIG. 1;
FIG. 6 is a top view of the design of FIG. 1 showing section line A—A; and,
FIG. 7 is a section view of the design of FIG. 1 taken along line A—A of FIG. 6.

The broken lines in the figures are for illustrative purposes only and form no part of the claimed design.

1 Claim, 7 Drawing Sheets



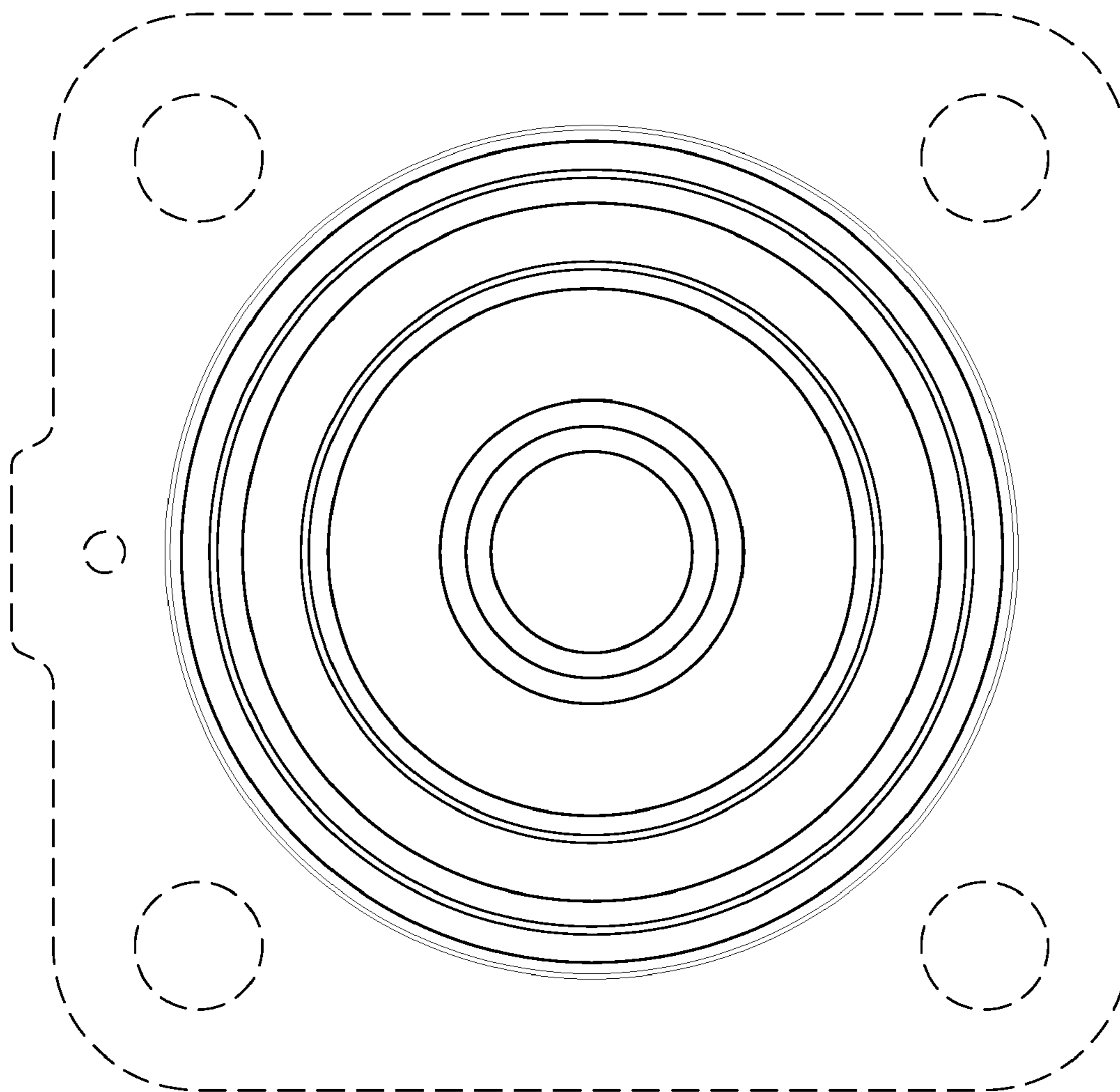


FIG. 1

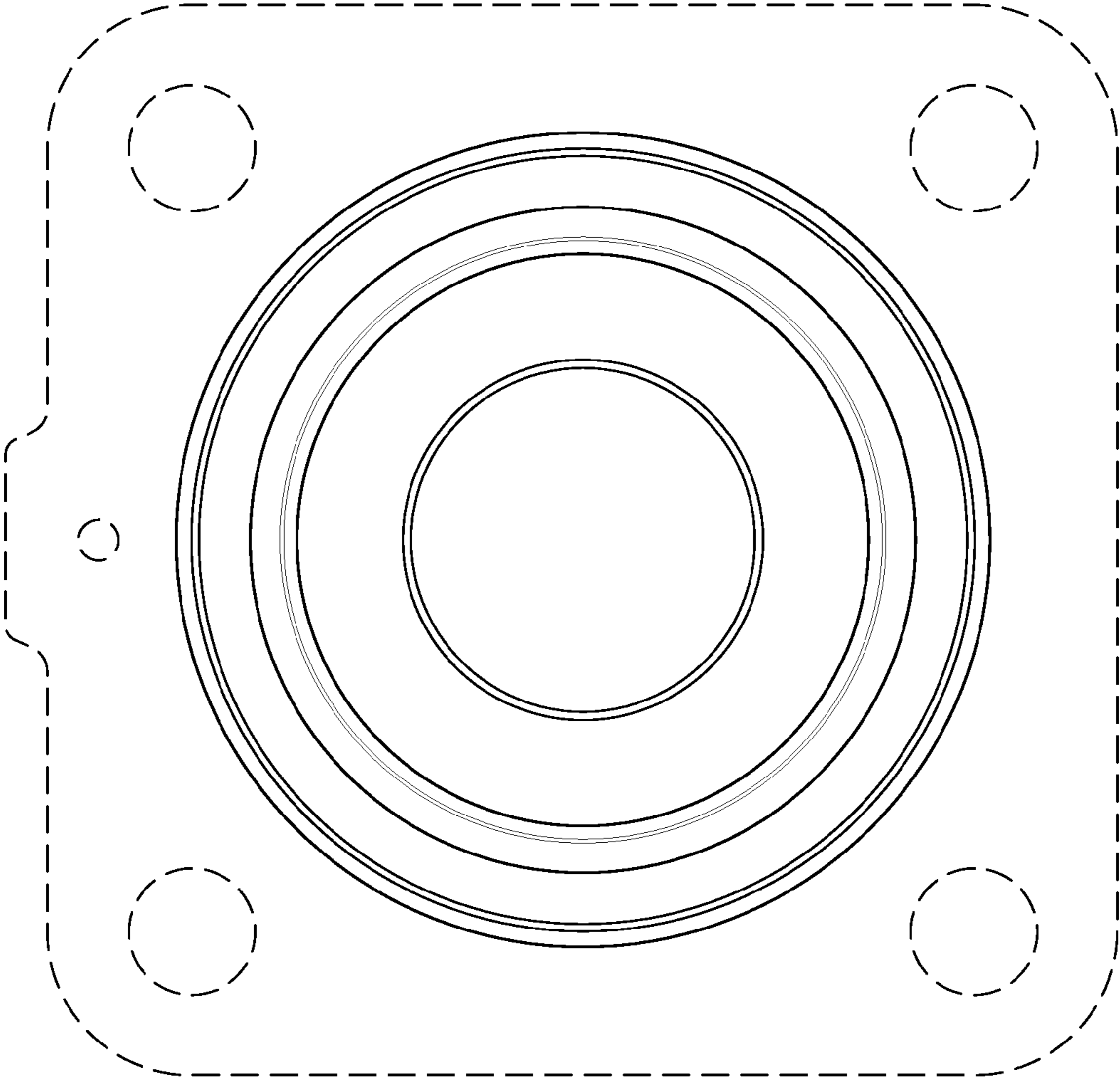


FIG.2

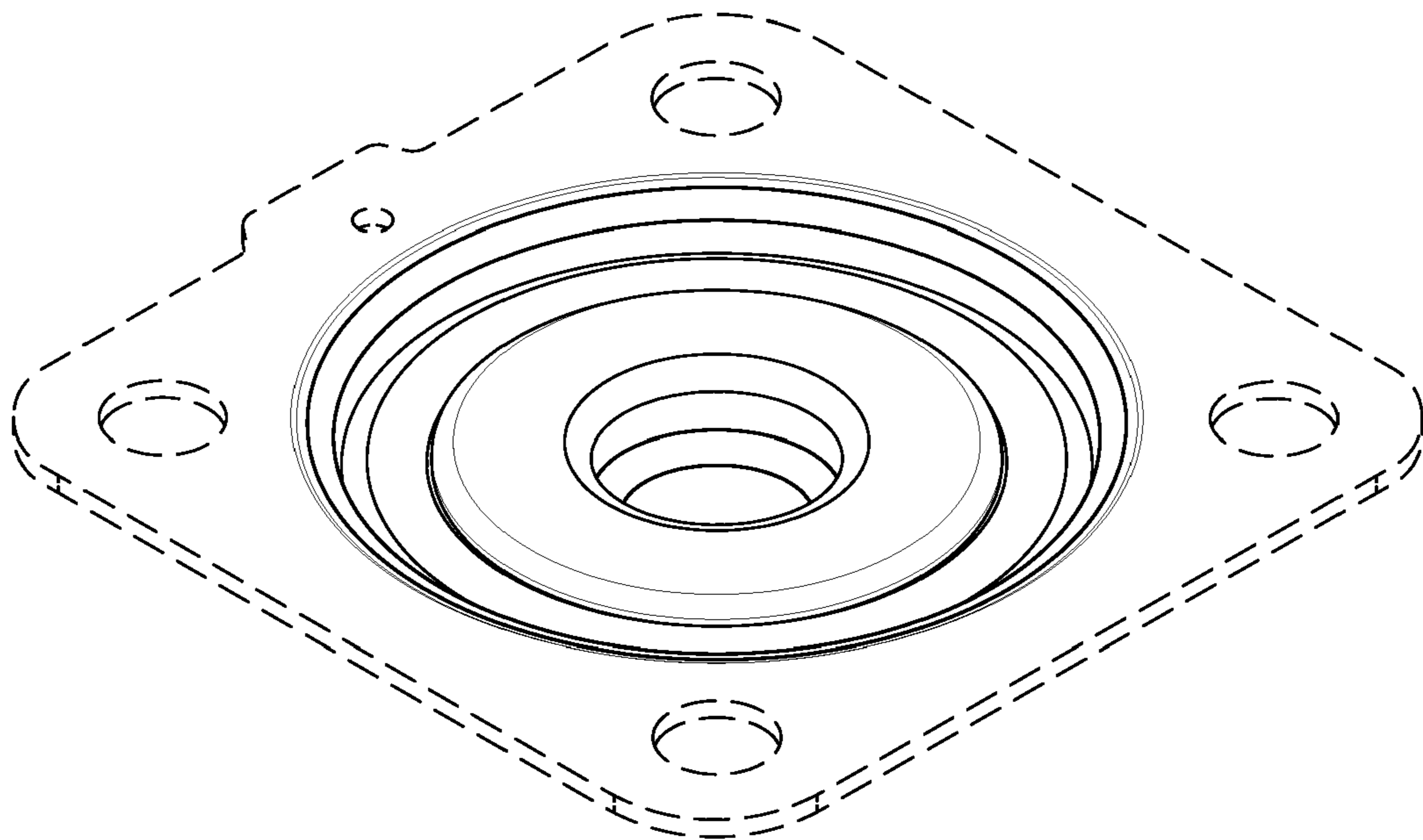


FIG. 3

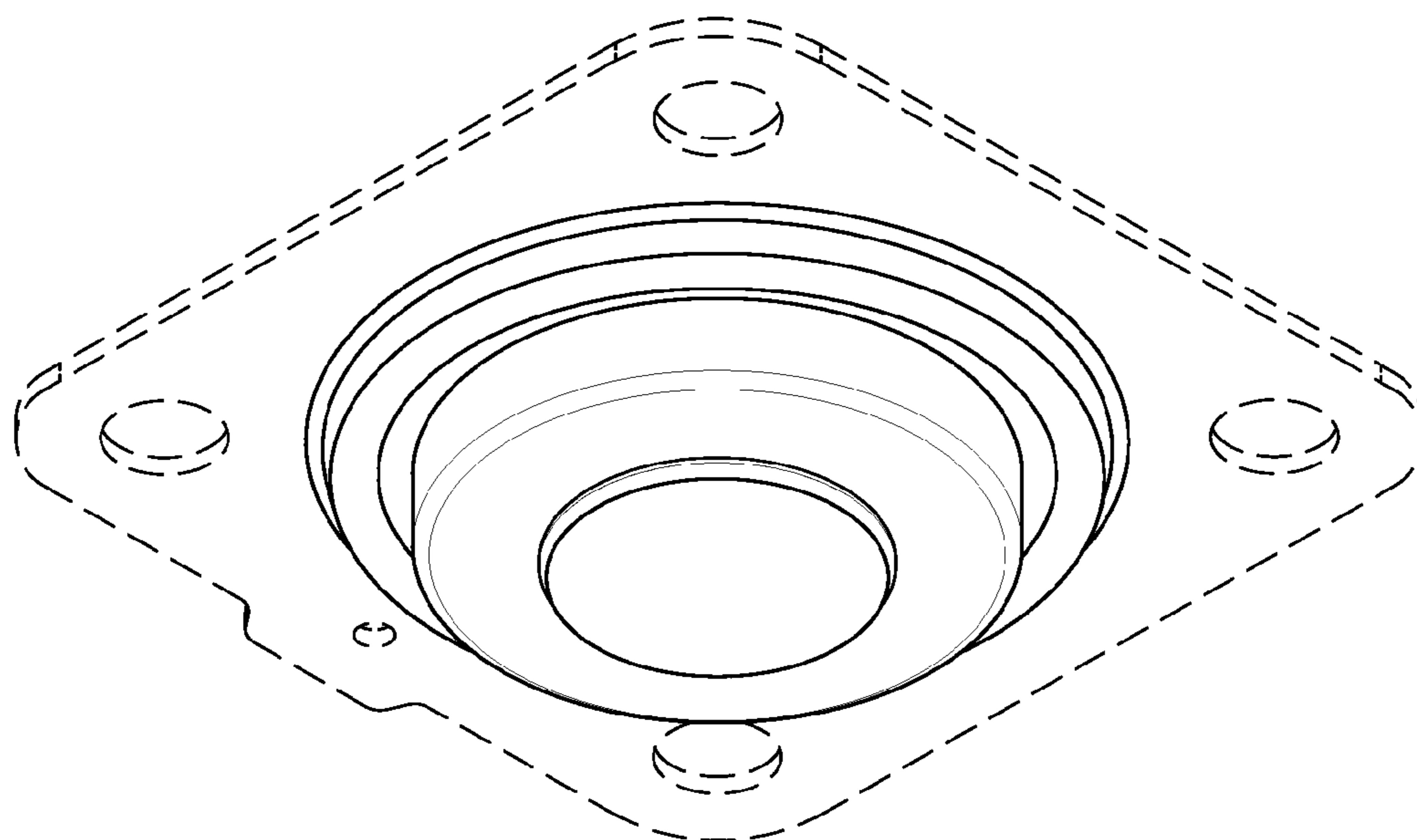


FIG.4



FIG. 5

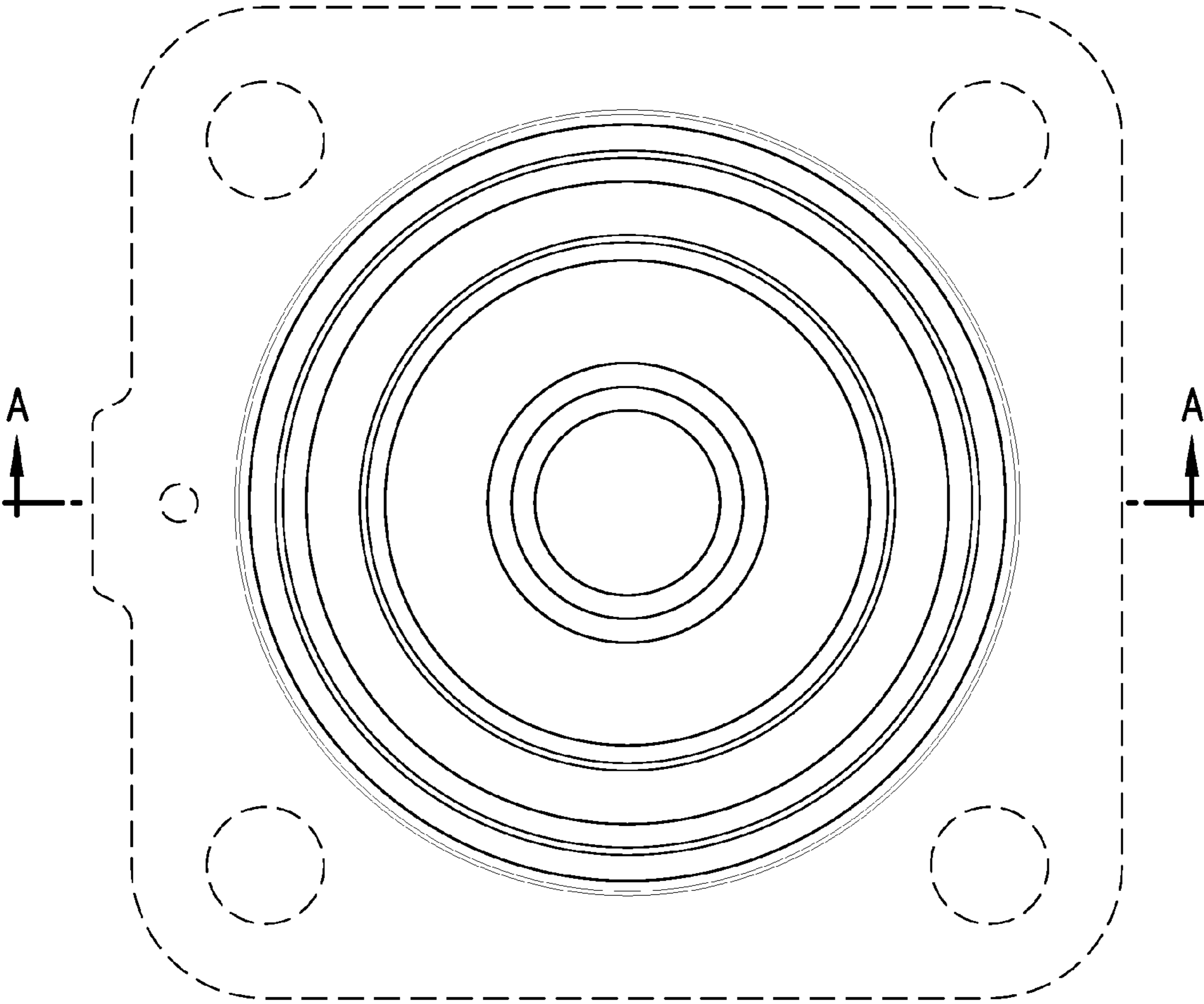


FIG.6

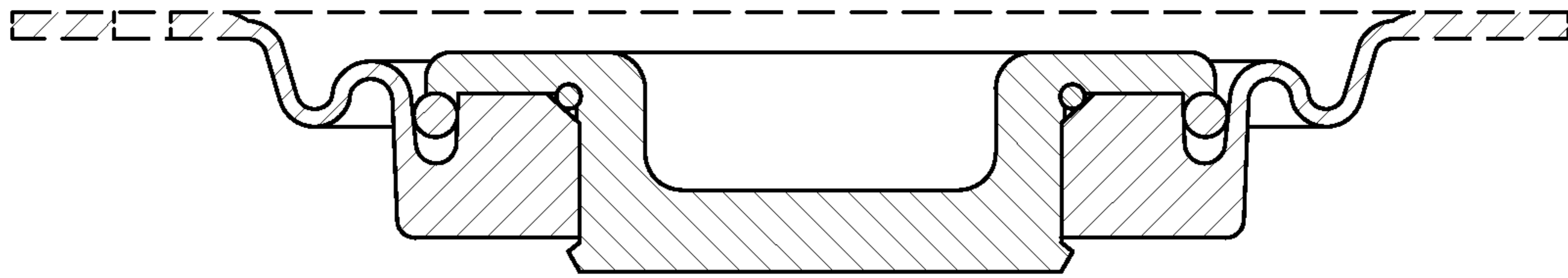


FIG. 7