



US00D636057S

(12) **United States Design Patent**
Thompson

(10) **Patent No.:** **US D636,057 S**
(45) **Date of Patent:** **** Apr. 12, 2011**

(54) **DEFLECTOR CARRIER FOR FIRE PROTECTION SPRINKLER**

(75) Inventor: **Andrew T. Thompson**, Hastings, MI (US)

(73) Assignee: **The Viking Corporation**, Hastings, MI (US)

(**) Term: **14 Years**

(21) Appl. No.: **29/357,488**

(22) Filed: **Mar. 12, 2010**

(51) **LOC (9) Cl.** **23-01**

(52) **U.S. Cl.** **D23/214**

(58) **Field of Classification Search** D23/213, D23/214; 169/37, 28, 39, 40

See application file for complete search history.

(56) **References Cited**

U.S. PATENT DOCUMENTS

2,558,450	A	6/1951	Martin	
3,633,676	A	1/1972	Gloeckler	
4,014,388	A	3/1977	Anderson	
4,066,129	A	1/1978	Anderson	
D259,438	S *	6/1981	Meyer	D23/214
4,880,063	A	11/1989	Leininger et al.	
4,976,320	A	12/1990	Polan	
5,083,616	A	1/1992	Polan	
5,152,344	A	10/1992	Fischer et al.	
5,664,630	A	9/1997	Meyer et al.	

(Continued)

Primary Examiner — Robin V Webster

(74) *Attorney, Agent, or Firm* — Harness, Dickey & Pierce, P.L.C.

(57) **CLAIM**

The ornamental design for a deflector carrier for fire protection sprinkler, as shown and described.

DESCRIPTION

FIG. 1 is a perspective view of a deflector carrier for fire protection sprinkler;

FIG. 2 is a bottom view thereof;

FIG. 3 is a front view thereof (the back view is identical to the front view);

FIG. 4 is a right side view thereof (the left side view is identical to the right side view);

FIG. 5 is a top view thereof;

FIG. 6 is a perspective view of the deflector carrier shown in a fire protection sprinkler (the dashed lines are for illustrative purposes only and do not form part of the invention);

FIG. 7 is a perspective view of a second embodiment of a deflector carrier for fire protection sprinkler (the dashed lines are for illustrative purposes only and do not form part of the invention);

FIG. 8 is a bottom view thereof (the dashed lines are for illustrative purposes only and do not form part of the invention);

FIG. 9 is a front view thereof (the back view is identical to the front view; the dashed lines are for illustrative purposes only and do not form part of the invention);

FIG. 10 is a right side view thereof (the left side view is identical to the right side view; the dashed lines are for illustrative purposes only and do not form part of the invention);

FIG. 11 is a top view thereof (the dashed lines are for illustrative purposes only and do not form part of the invention);

FIG. 12 is a perspective view of the deflector carrier shown in a fire protection sprinkler (the dashed lines are for illustrative purposes only and do not form part of the invention);

FIG. 13 is a perspective view of a third embodiment of a deflector carrier for fire protection sprinkler (the dashed lines are for illustrative purposes only and do not form part of the invention);

FIG. 14 is another perspective view thereof (the dashed lines are for illustrative purposes only and do not form part of the invention);

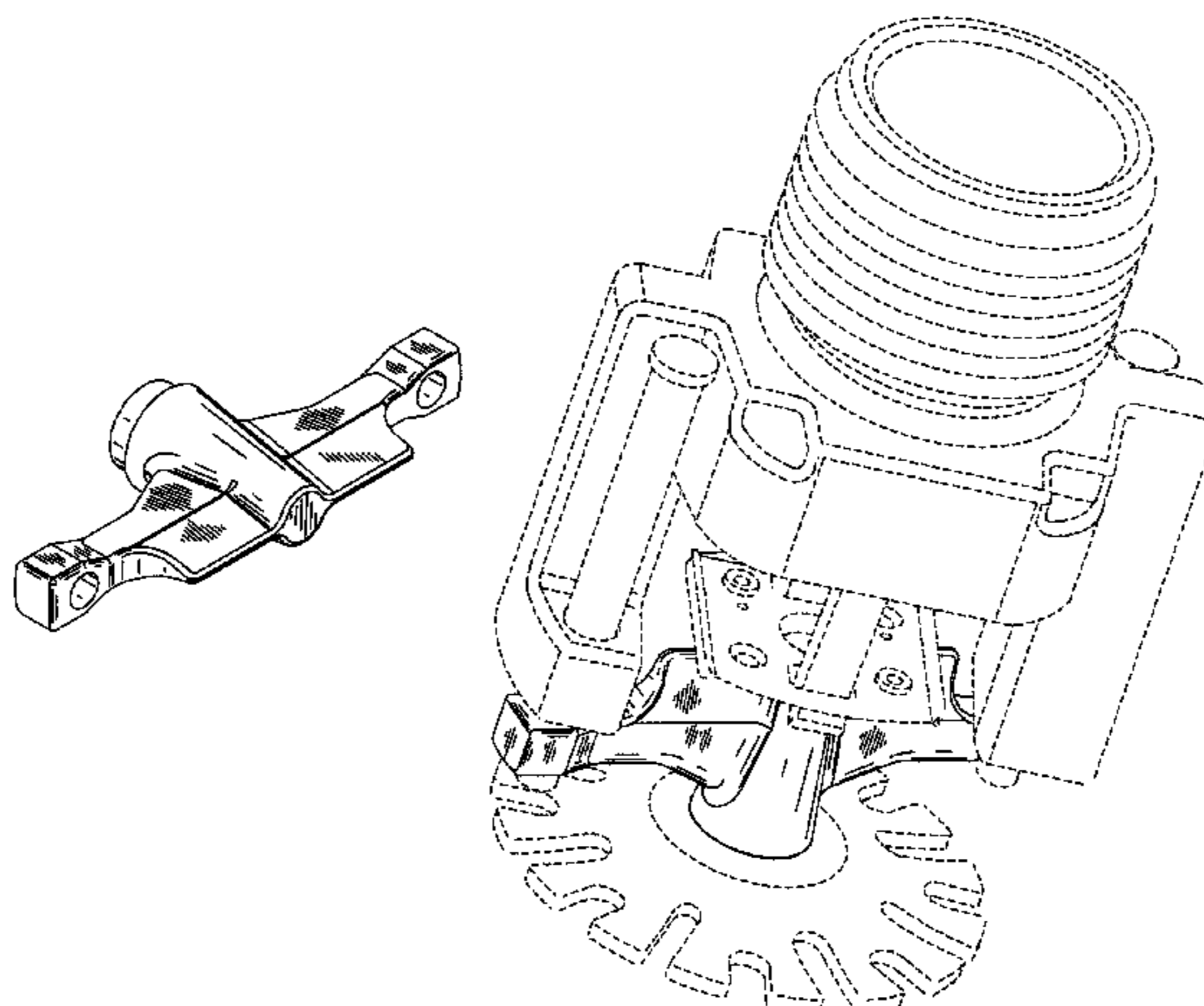
FIG. 15 is a front view thereof (the back view is identical to the front view; the dashed lines are for illustrative purposes only and do not form part of the invention);

FIG. 16 is a right side view thereof (the left side view is identical to the right side view; the dashed lines are for illustrative purposes only and do not form part of the invention);

FIG. 17 is a top view thereof (the dashed lines are for illustrative purposes only and do not form part of the invention); and,

FIG. 18 is a bottom view thereof (the dashed lines are for illustrative purposes only and do not form part of the invention).

1 Claim, 9 Drawing Sheets



US D636,057 S

Page 2

U.S. PATENT DOCUMENTS

6,082,463 A 7/2000 Ponte
6,129,153 A 10/2000 Joung
6,152,236 A 11/2000 Retzloff et al.
6,367,559 B1 4/2002 Winebrenner
6,520,265 B2 2/2003 Winebrenner
6,554,077 B2 4/2003 Polan

D546,414 S * 7/2007 Franson et al. D23/214
7,275,603 B2 10/2007 Polan
D556,857 S * 12/2007 Franson et al. D23/214
D556,858 S * 12/2007 Franson et al. D23/214
2009/0056958 A1 3/2009 Polan
2009/0126950 A1 5/2009 Rogers

* cited by examiner

FIG 1

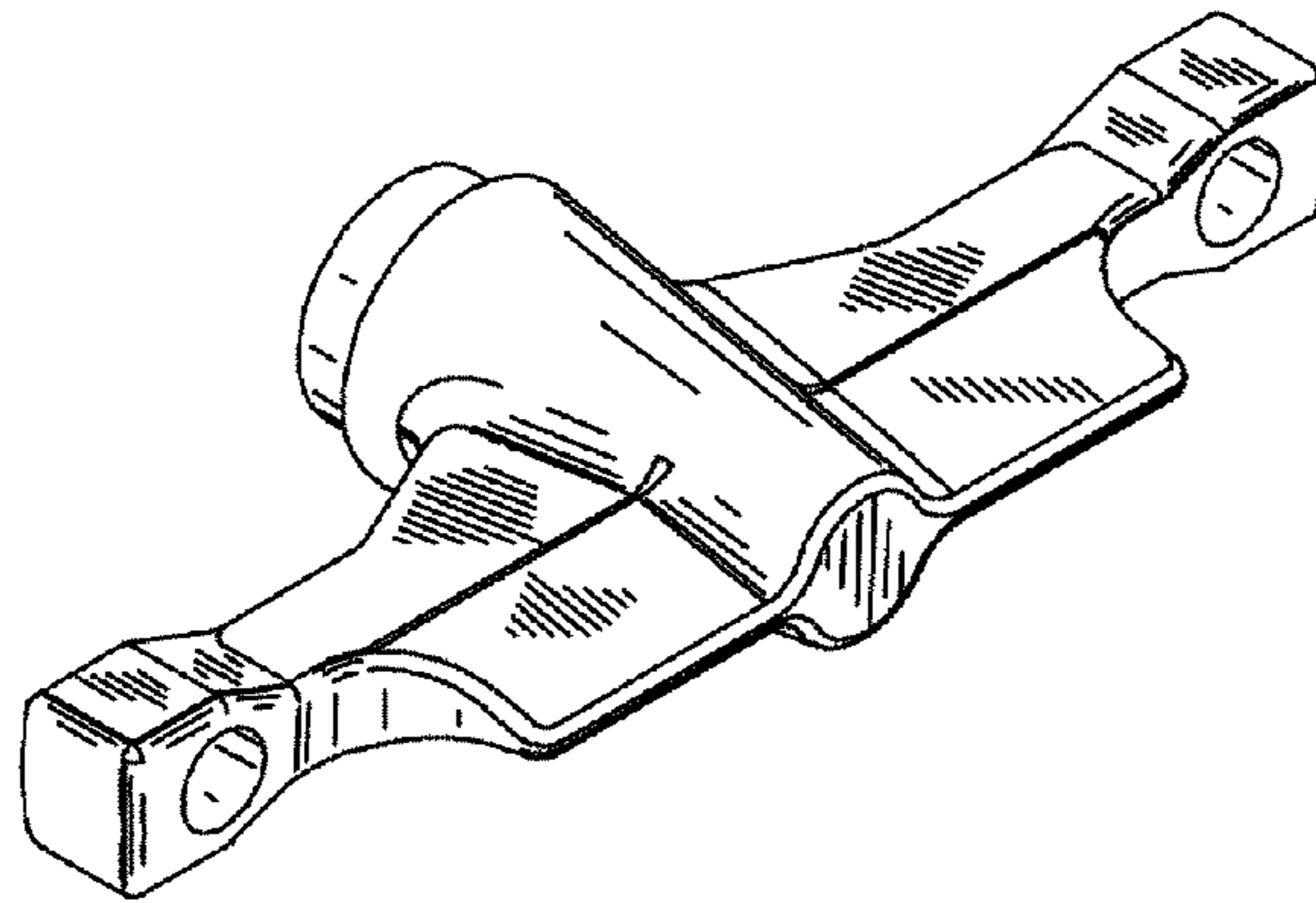


FIG 2

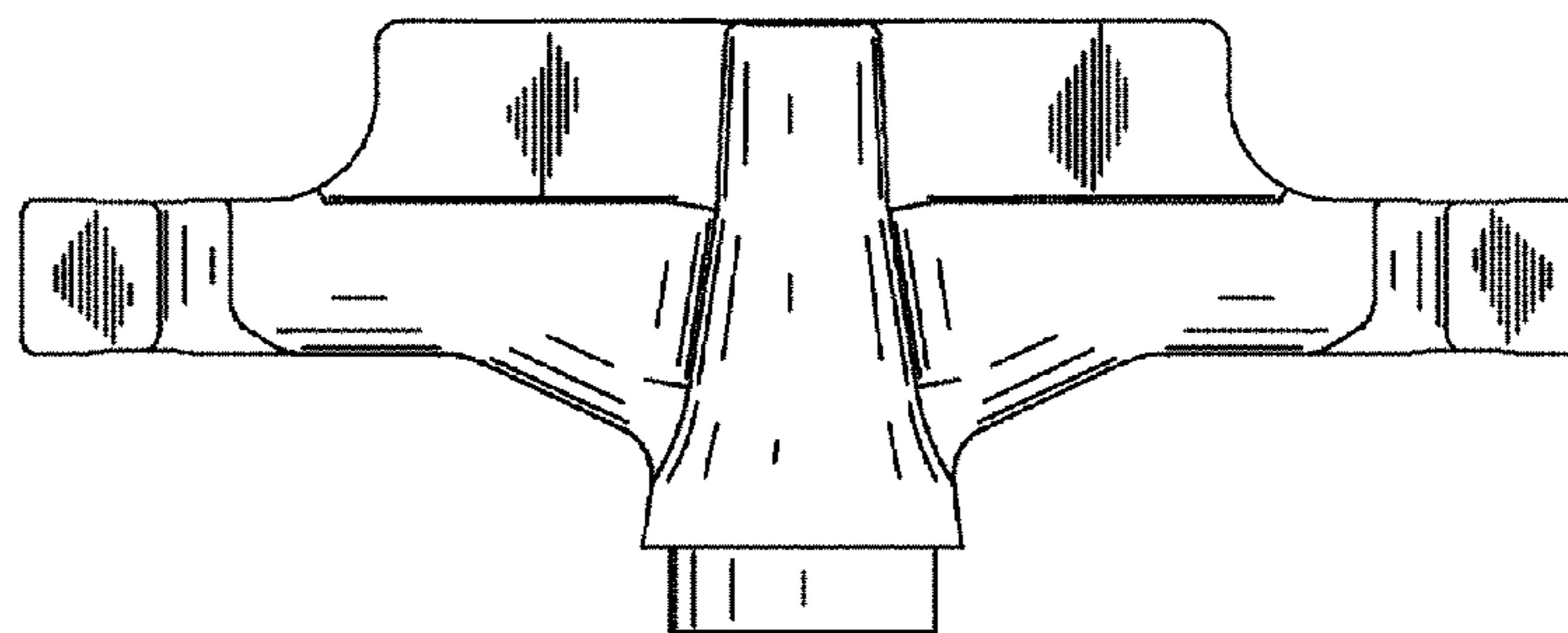
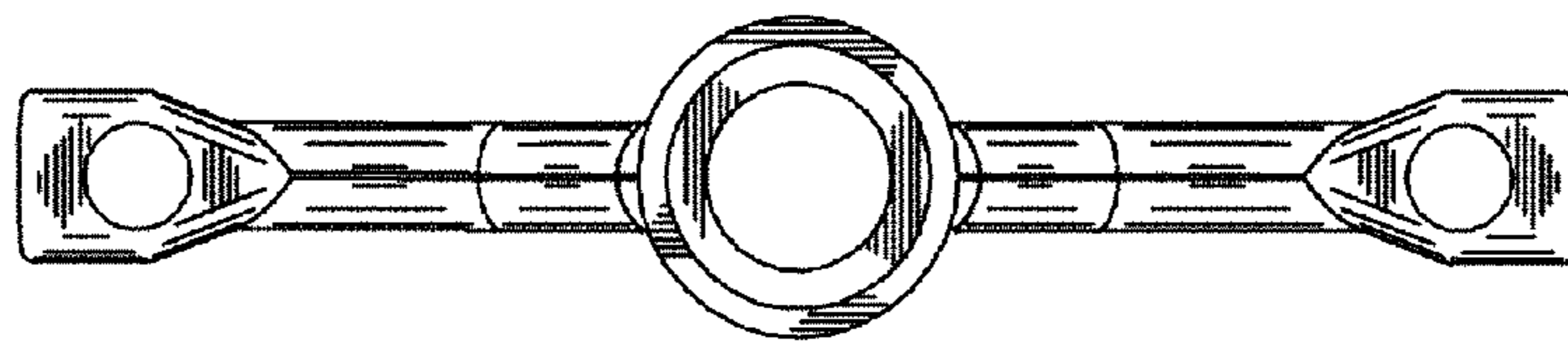


FIG 3

FIG 4

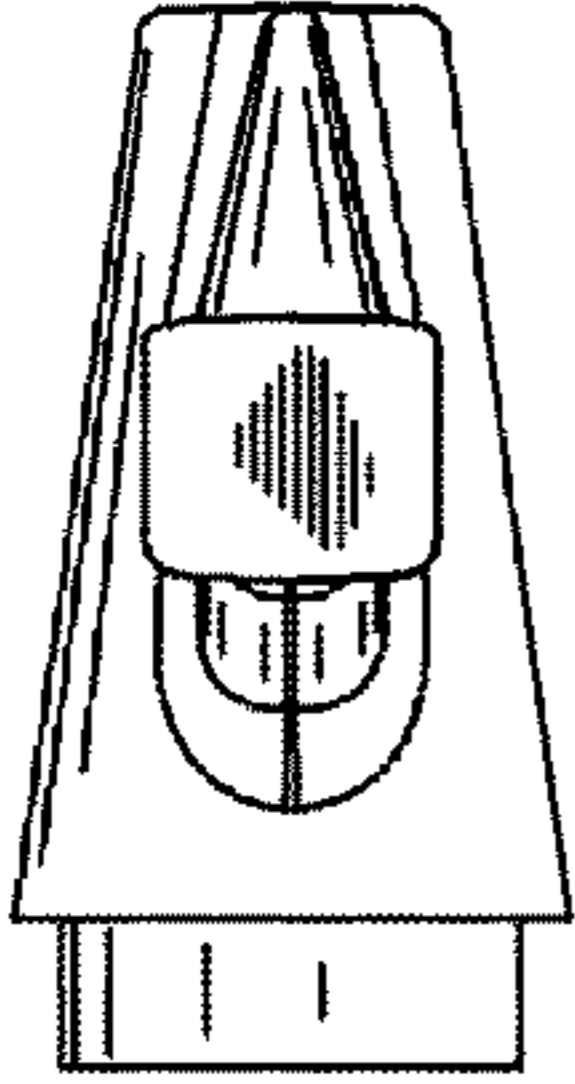


FIG 5

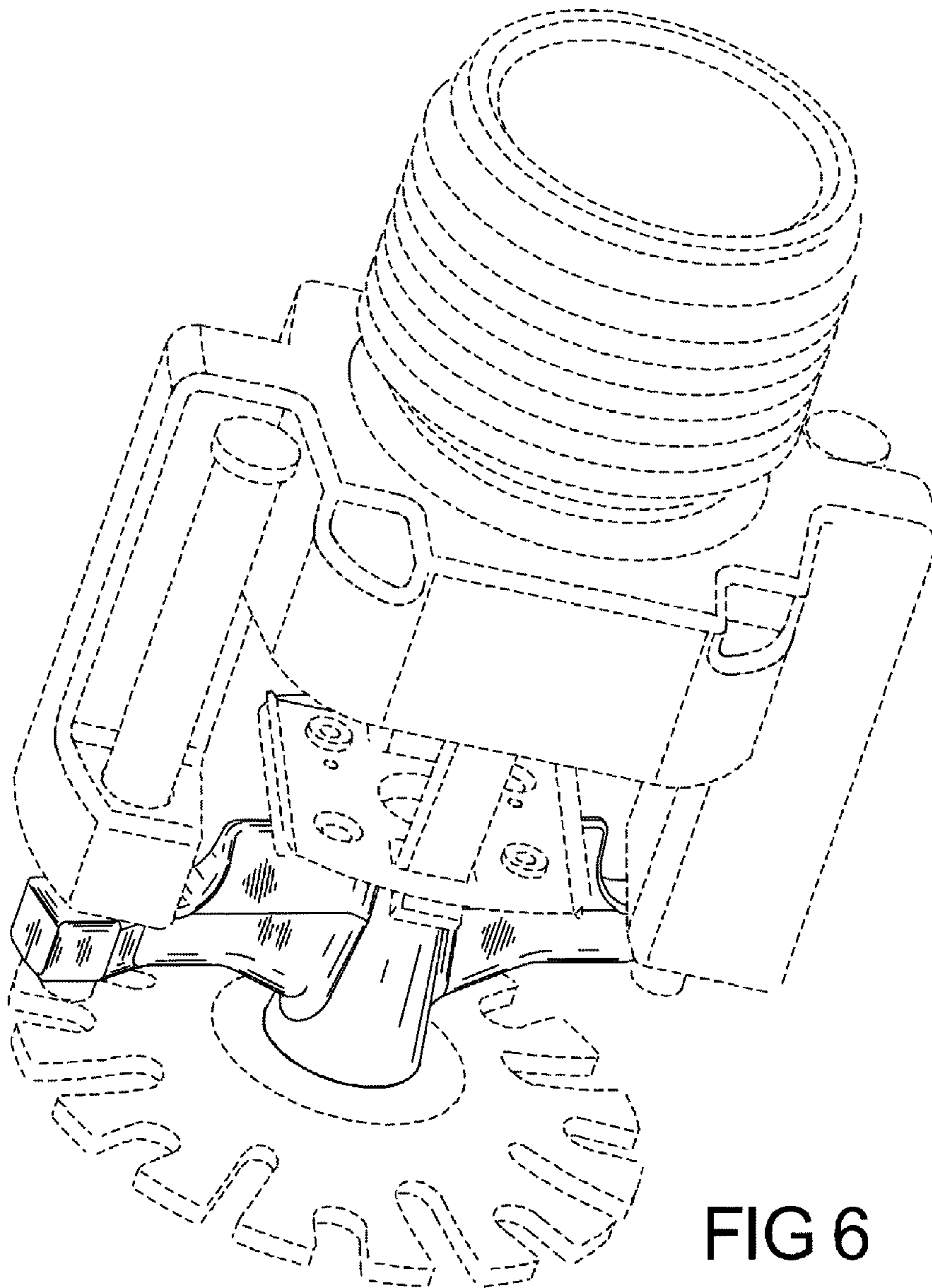
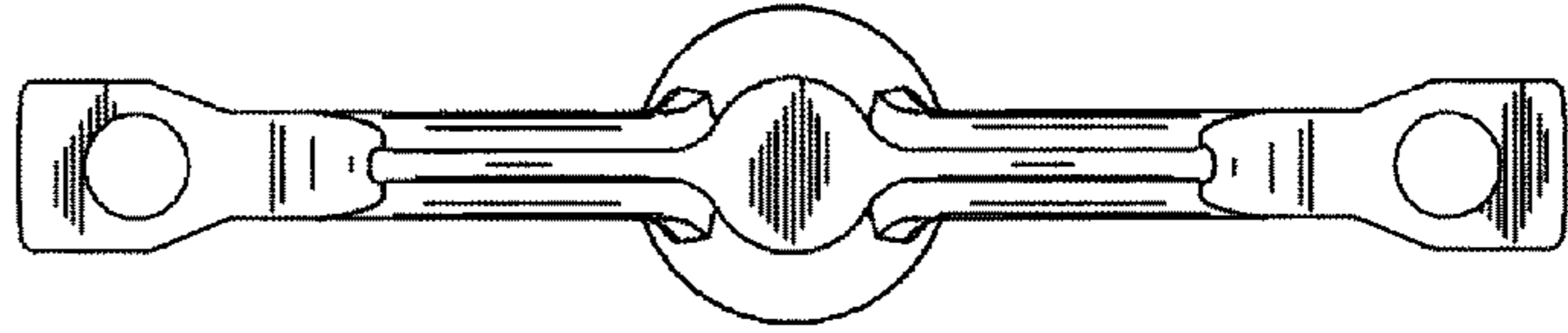


FIG 6

FIG 7

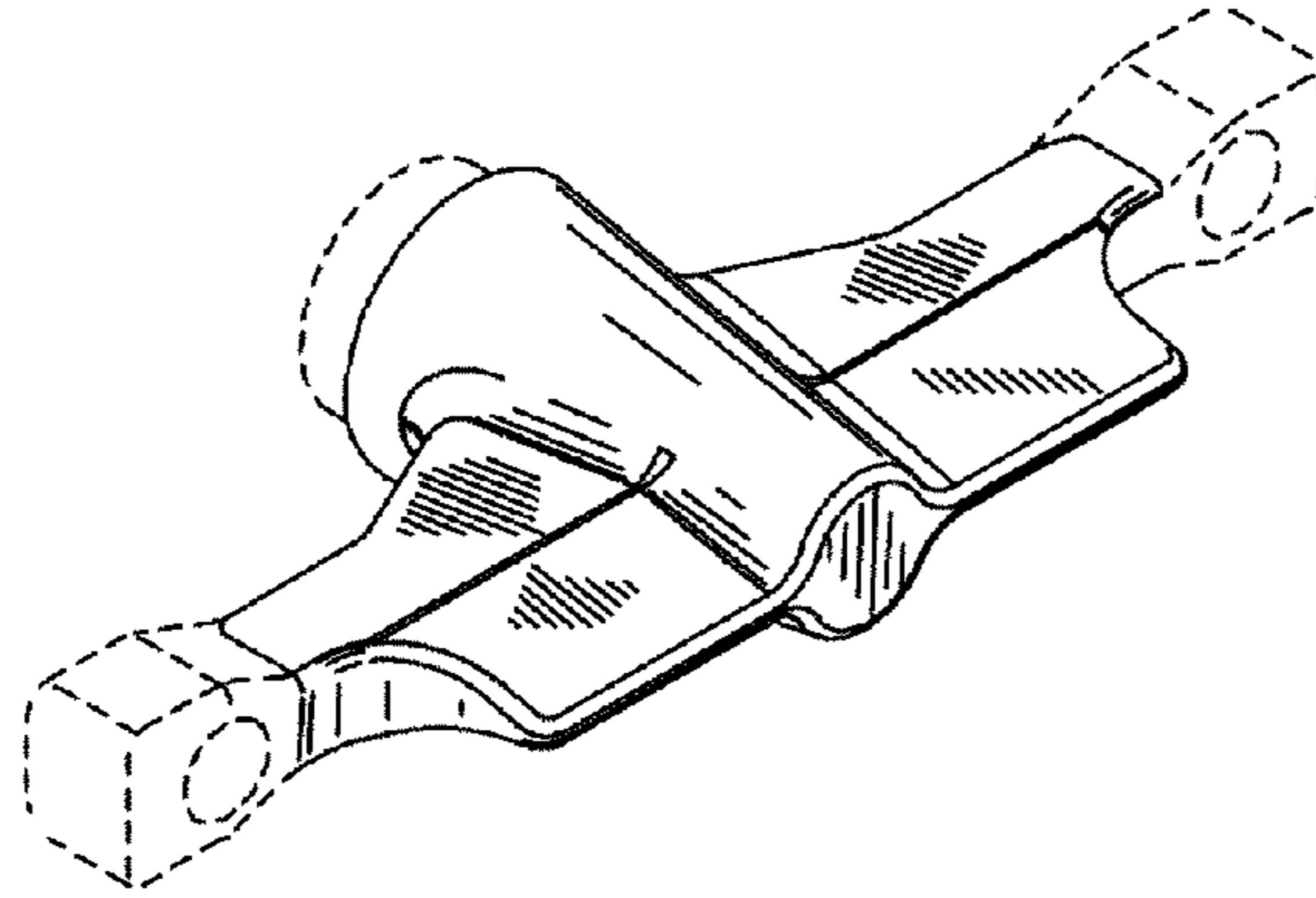


FIG 8

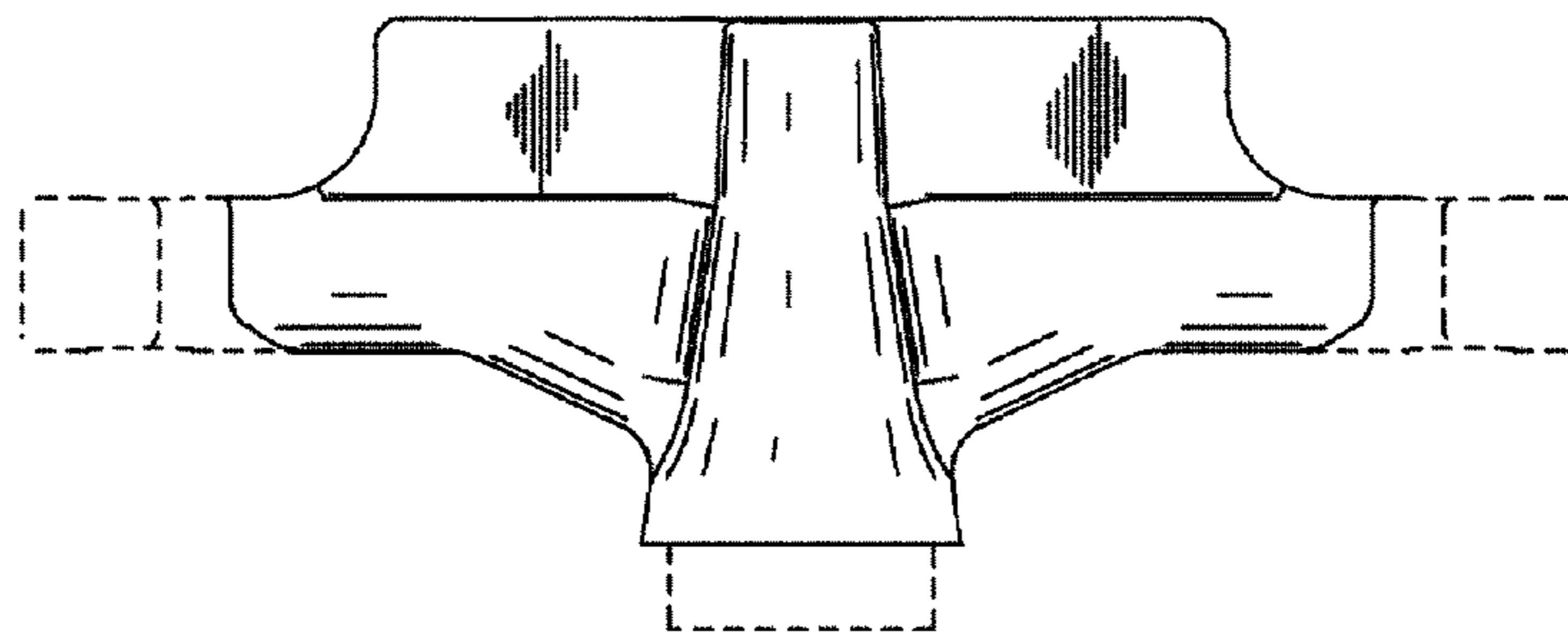
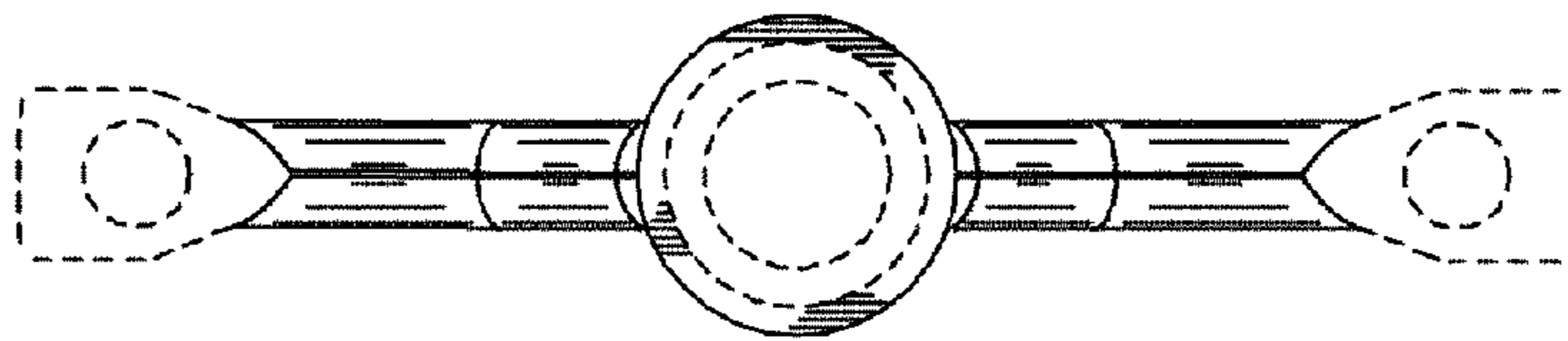


FIG 9

FIG 10

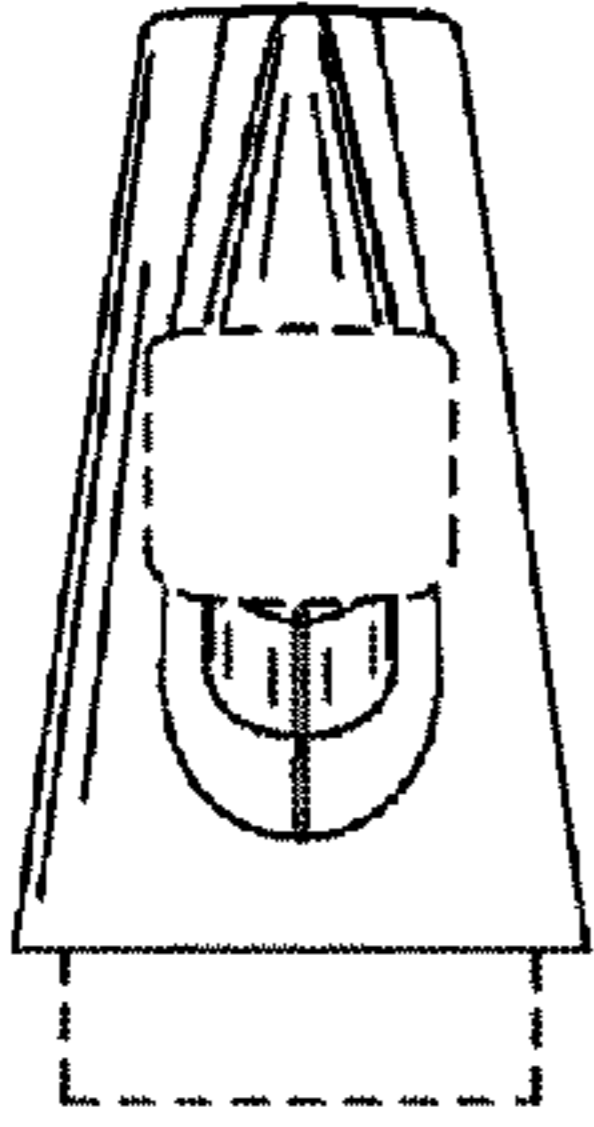


FIG 11

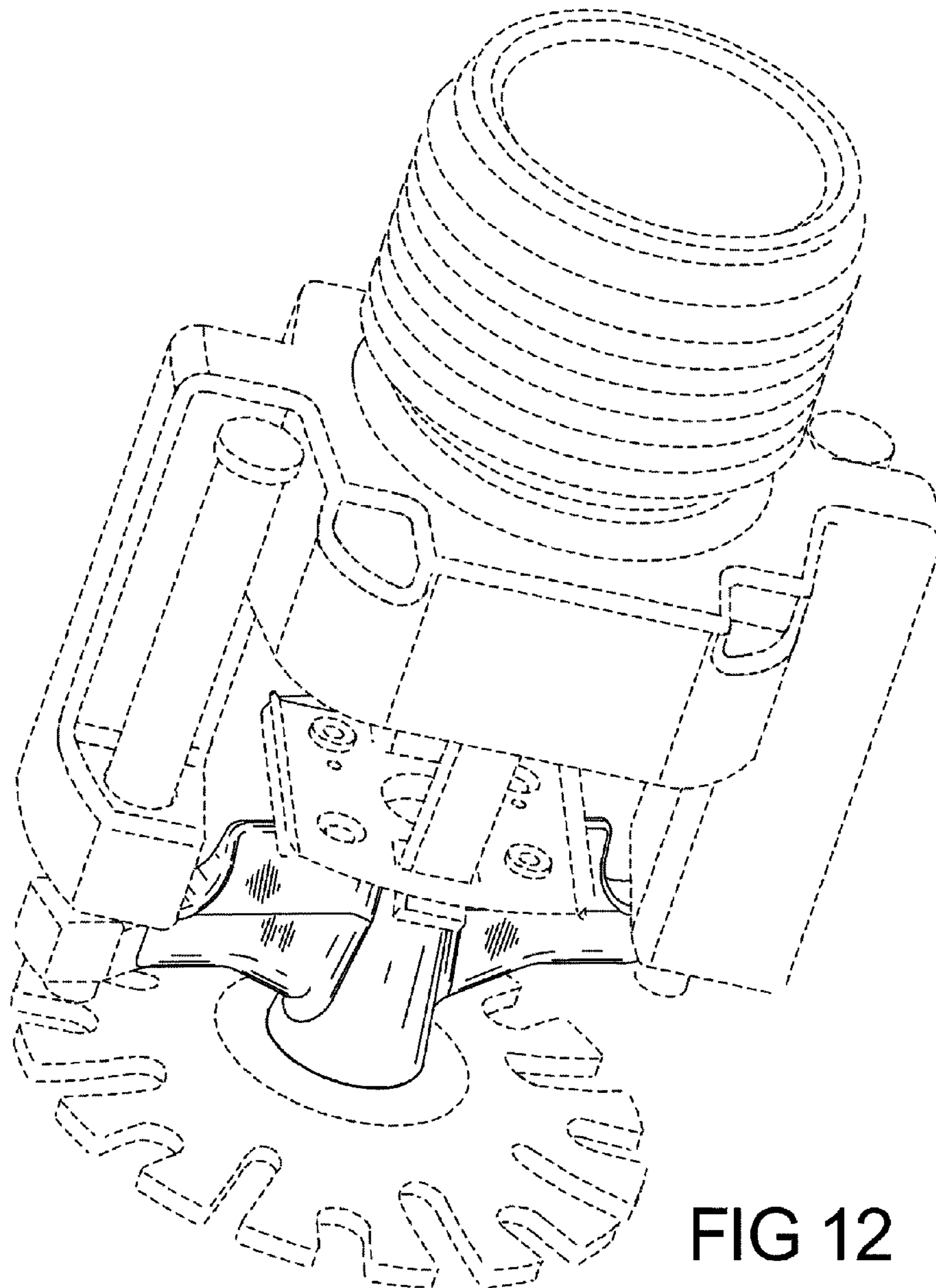
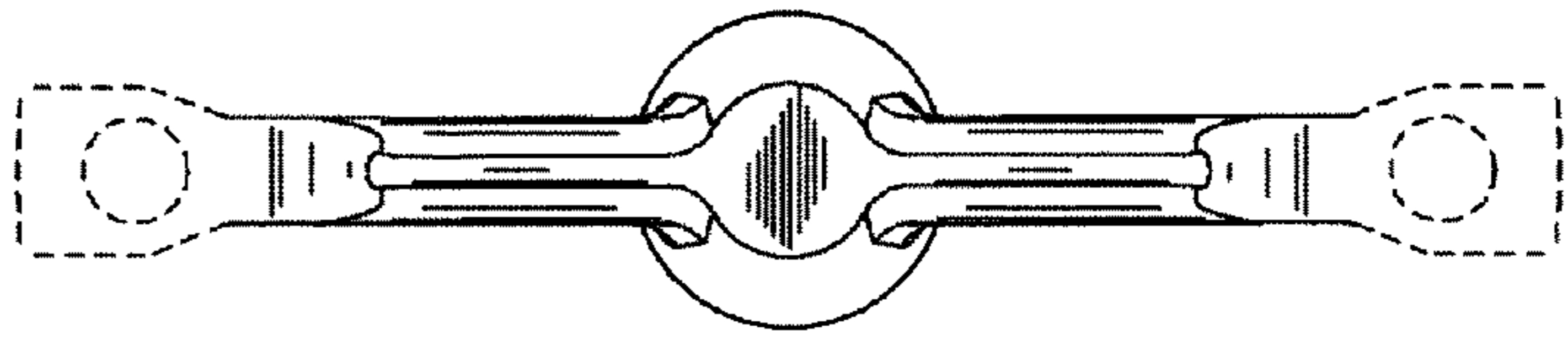


FIG 12

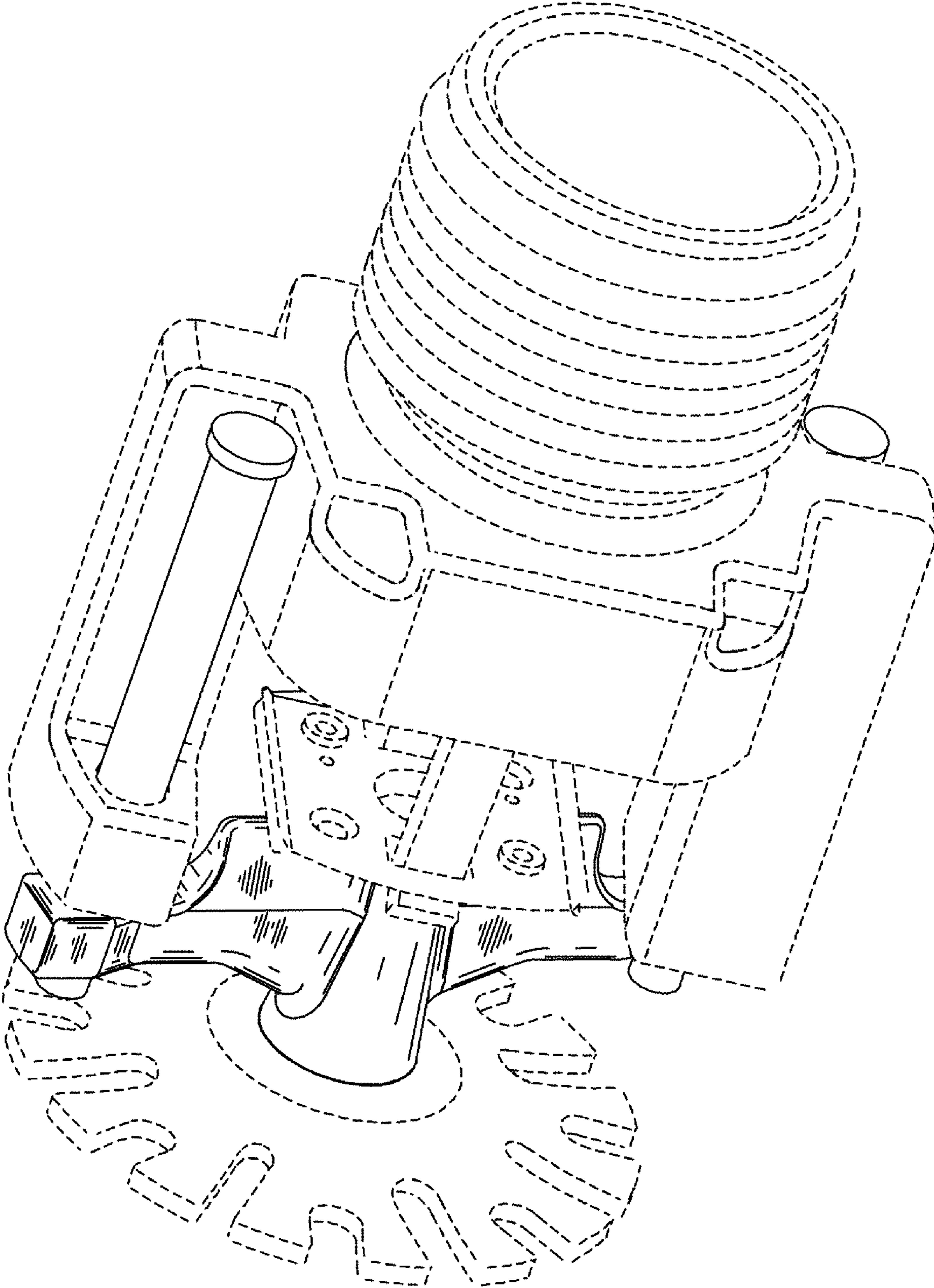


FIG 13

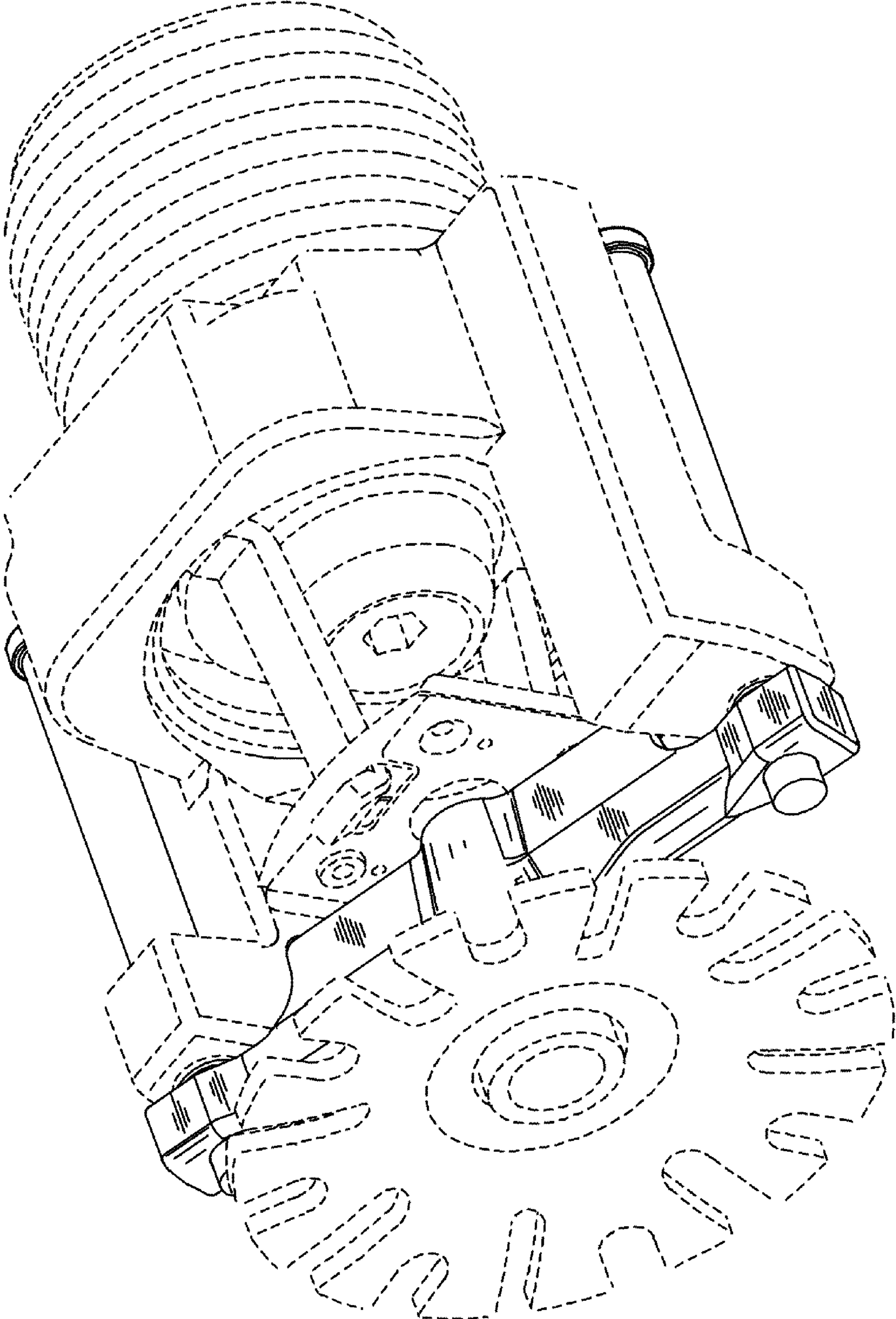


FIG 14

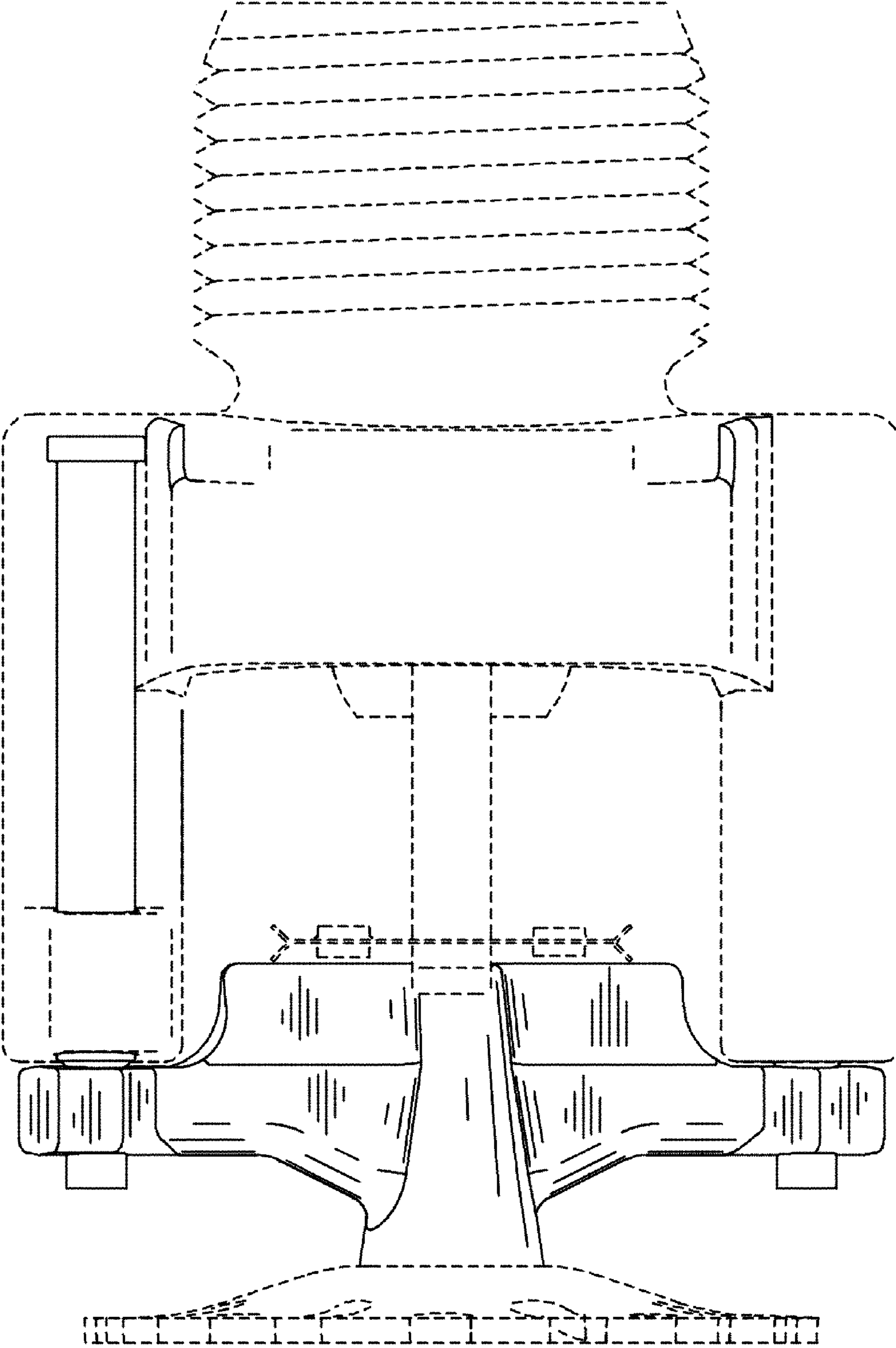


FIG 15

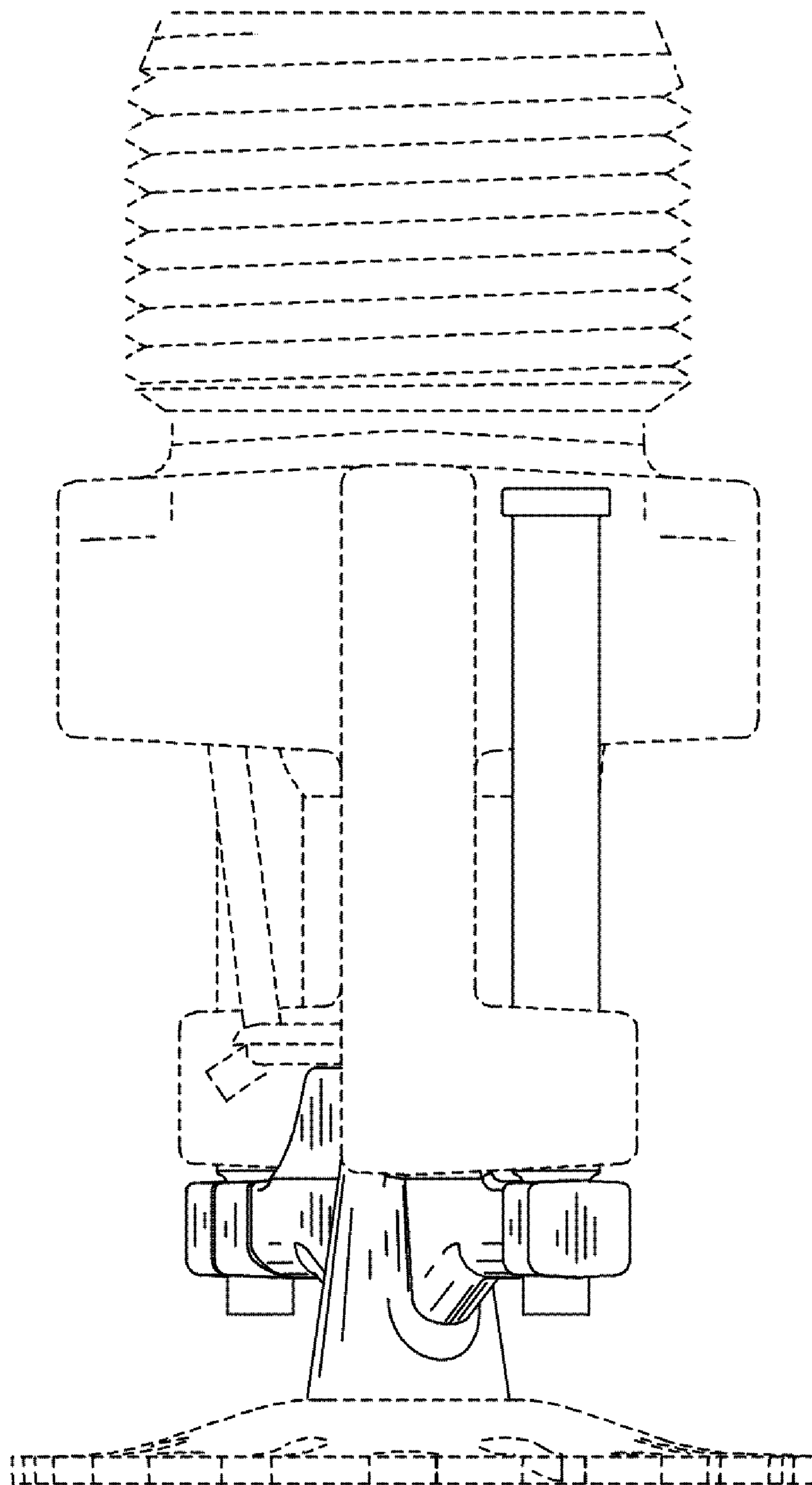


FIG 16

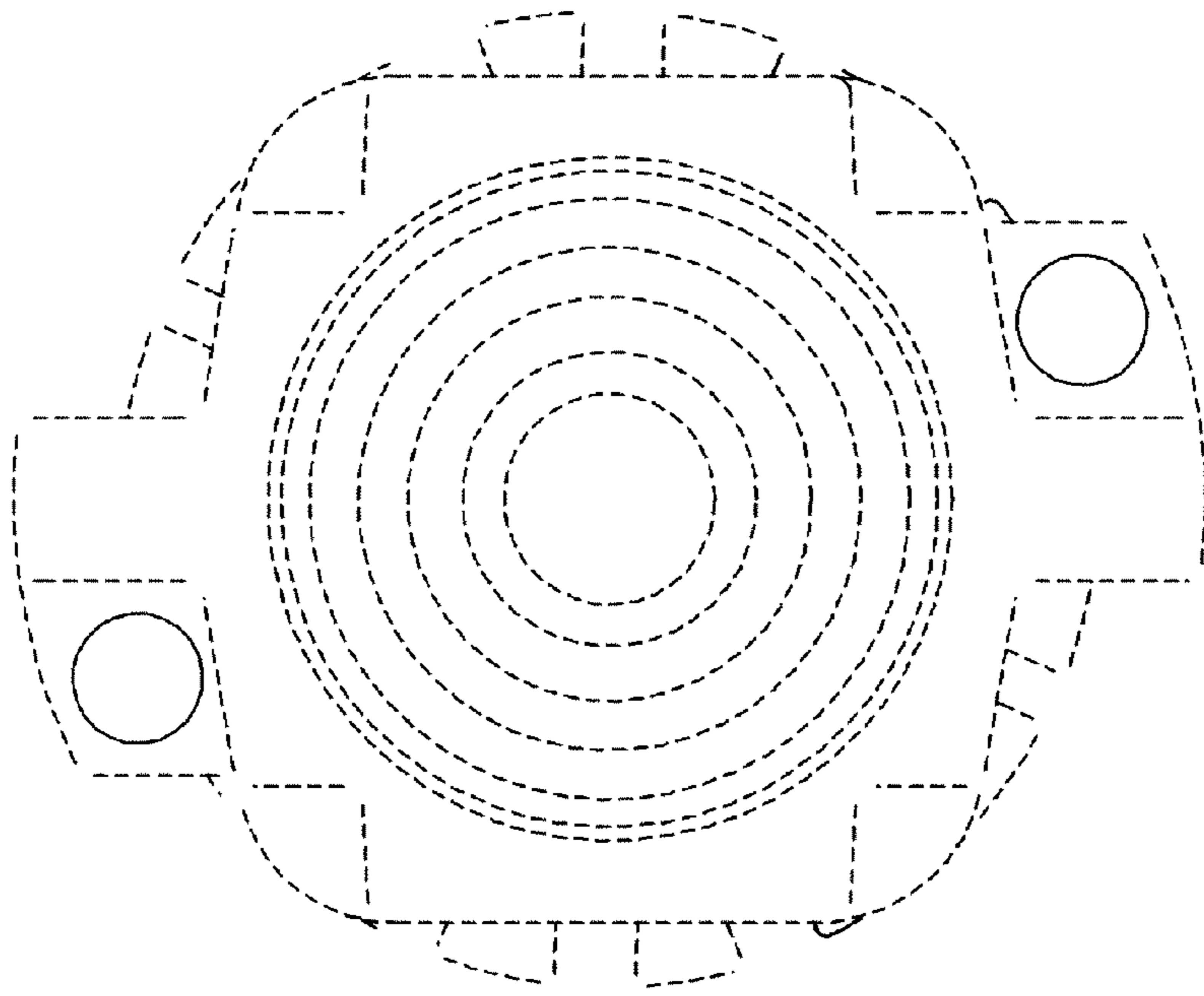


FIG 17

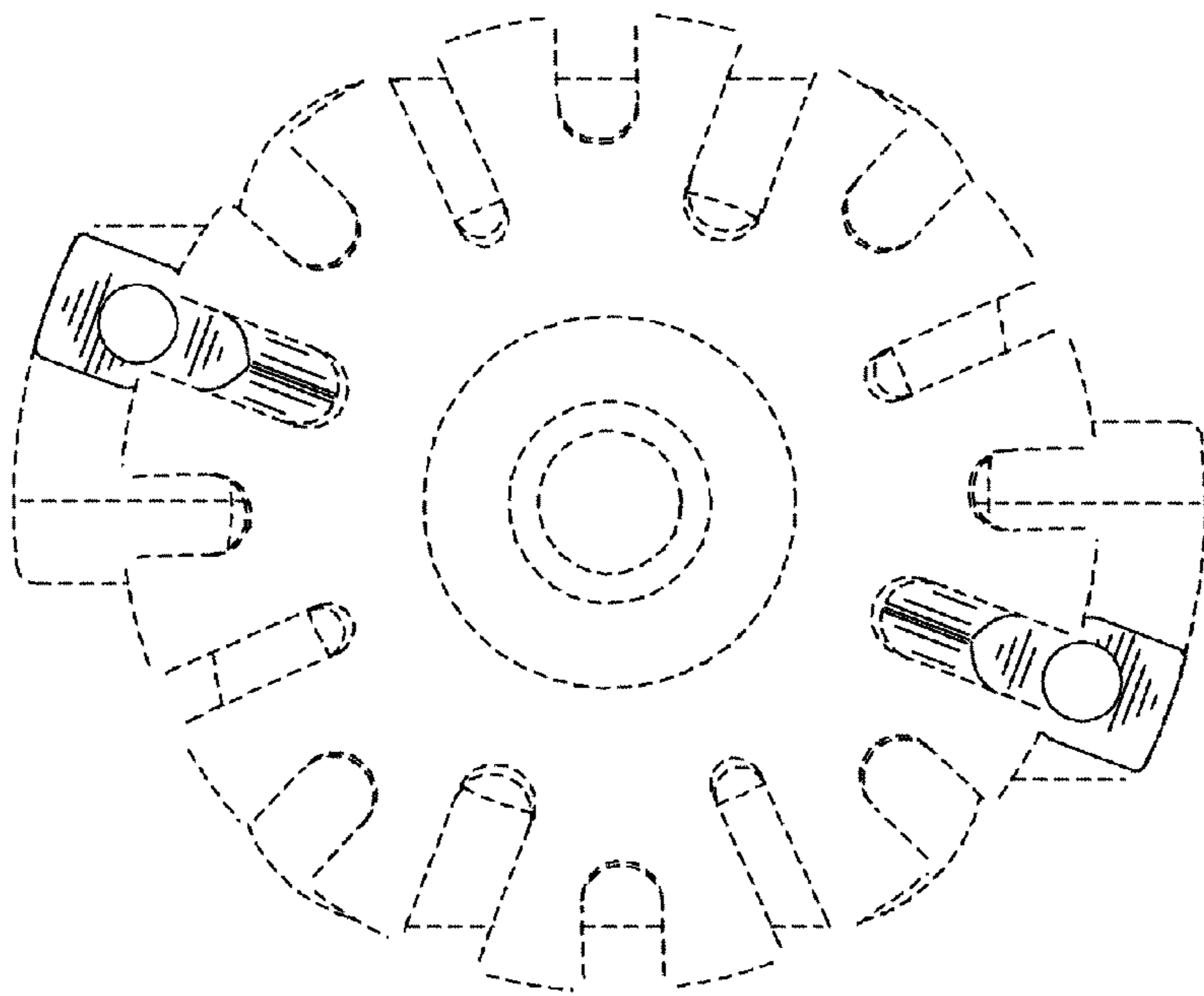


FIG 18