



US00D636055S

(12) **United States Design Patent**
Goldman

(10) **Patent No.:** **US D636,055 S**

(45) **Date of Patent:** **** Apr. 12, 2011**

(54) **COLLAR FOR A FILTER BAG**

(75) Inventor: **Michael A. Goldman**, Boca Raton, FL (US)

(73) Assignee: **Mechanical Manufacturing Corp.**, Sunrise, FL (US)

(**) Term: **14 Years**

(21) Appl. No.: **29/329,888**

(22) Filed: **Dec. 23, 2008**

(51) **LOC (9) Cl.** **23-01**

(52) **U.S. Cl.** **D23/209**

(58) **Field of Classification Search** D23/209,
D23/365; 210/234, 235, 238, 282, 443, 444,
210/470, 493.2; D9/434-436, 444, 452,
D9/454, 439

See application file for complete search history.

(56) **References Cited**

U.S. PATENT DOCUMENTS

3,931,015	A *	1/1976	Jenkins	210/232
D248,453	S *	7/1978	Summers	D9/439
D353,649	S	12/1994	Willinger et al.		
5,779,903	A *	7/1998	Smith et al.	210/440
D409,341	S	5/1999	Van Etten et al.		
D412,551	S *	8/1999	Smith et al.	D23/209
D414,694	S *	10/1999	Richter	D9/439
D447,549	S *	9/2001	Gieseke et al.	D23/365
D460,169	S *	7/2002	Anderson et al.	D23/365
D491,063	S *	6/2004	Hicks et al.	D9/443
D528,630	S	9/2006	Booth		
D545,396	S *	6/2007	Casey et al.	D23/209
D548,307	S *	8/2007	Reynolds et al.	D23/209
D567,898	S *	4/2008	Miller	D23/209

* cited by examiner

Primary Examiner — Cathron C. Brooks

Assistant Examiner — Maurice Stevens

(74) *Attorney, Agent, or Firm* — Fox Rothschild, LLP; Robert J. Sacco

(57) **CLAIM**

The ornamental design for a collar for a filter bag, as shown and described.

DESCRIPTION

FIG. 1 is a perspective view of a first embodiment of a collar for a filter bag;

FIG. 2 is a side view of the collar in FIG. 1;

FIG. 3 is a top plan view of the collar in FIG. 1;

FIG. 4 is a bottom plan view of the collar in FIG. 1;

FIG. 5 is a top perspective view of the collar in FIG. 1 with o-rings removed;

FIG. 6 is a bottom perspective view of the collar in FIG. 1 with the o-rings removed; and

FIG. 7 is a side view of the collar in FIG. 1 with the o-rings removed.

FIG. 8 is a perspective view of a second embodiment of a collar for a filter bag;

FIG. 9 is a side view of the collar in FIG. 8;

FIG. 10 is a top plan view of the collar in FIG. 8;

FIG. 11 is a bottom plan view of the collar in FIG. 8;

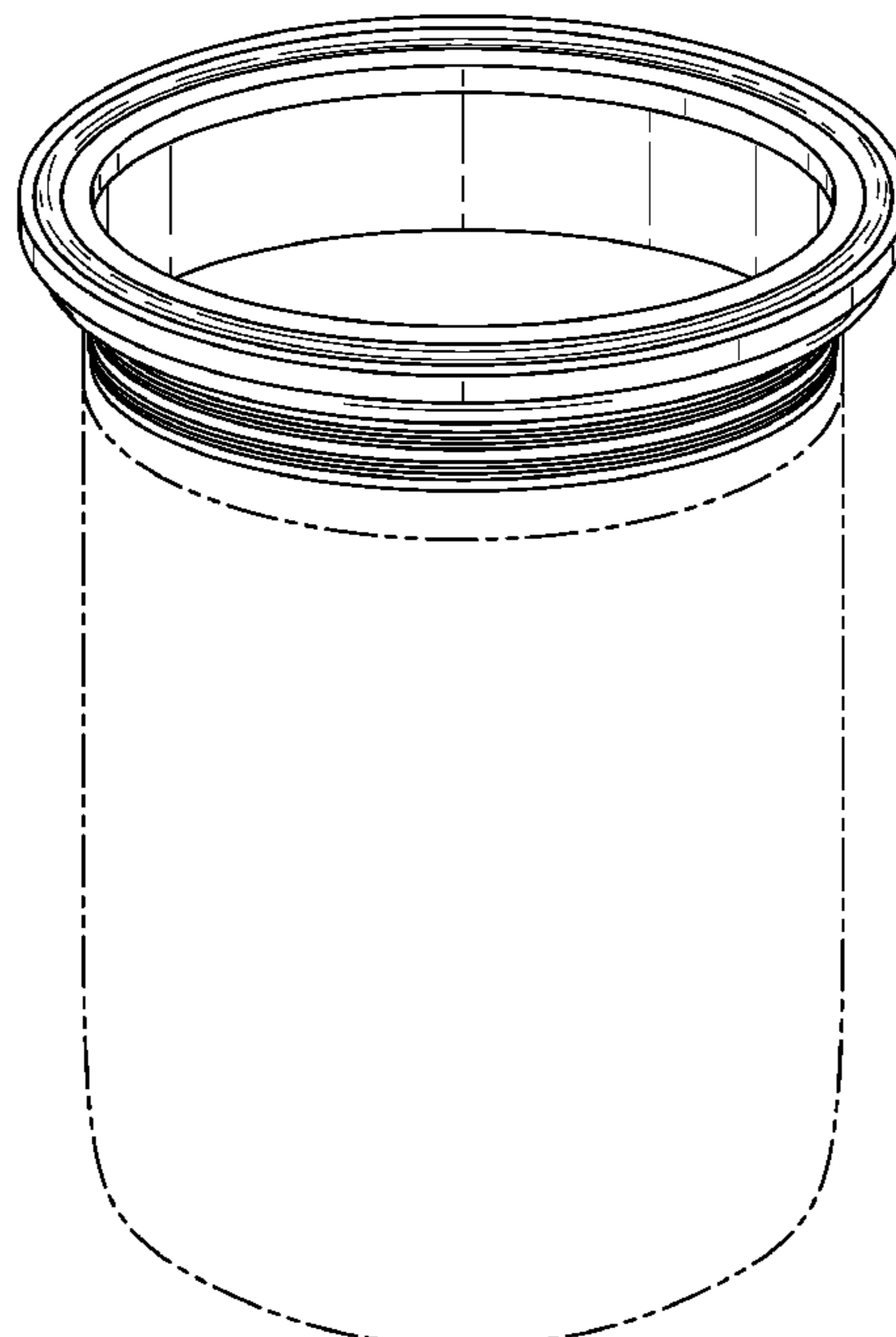
FIG. 12 is a top perspective view of the collar in FIG. 8 with o-rings removed;

FIG. 13 is a bottom perspective view of the collar in FIG. 8 with the o-rings removed; and,

FIG. 14 is a side view of the collar in FIG. 8 with the o-rings removed.

The broken lines showing a filter bag of FIGS. 1, 2, 8 and 9 are for environmental purposes only and form no part of the claimed design.

1 Claim, 12 Drawing Sheets



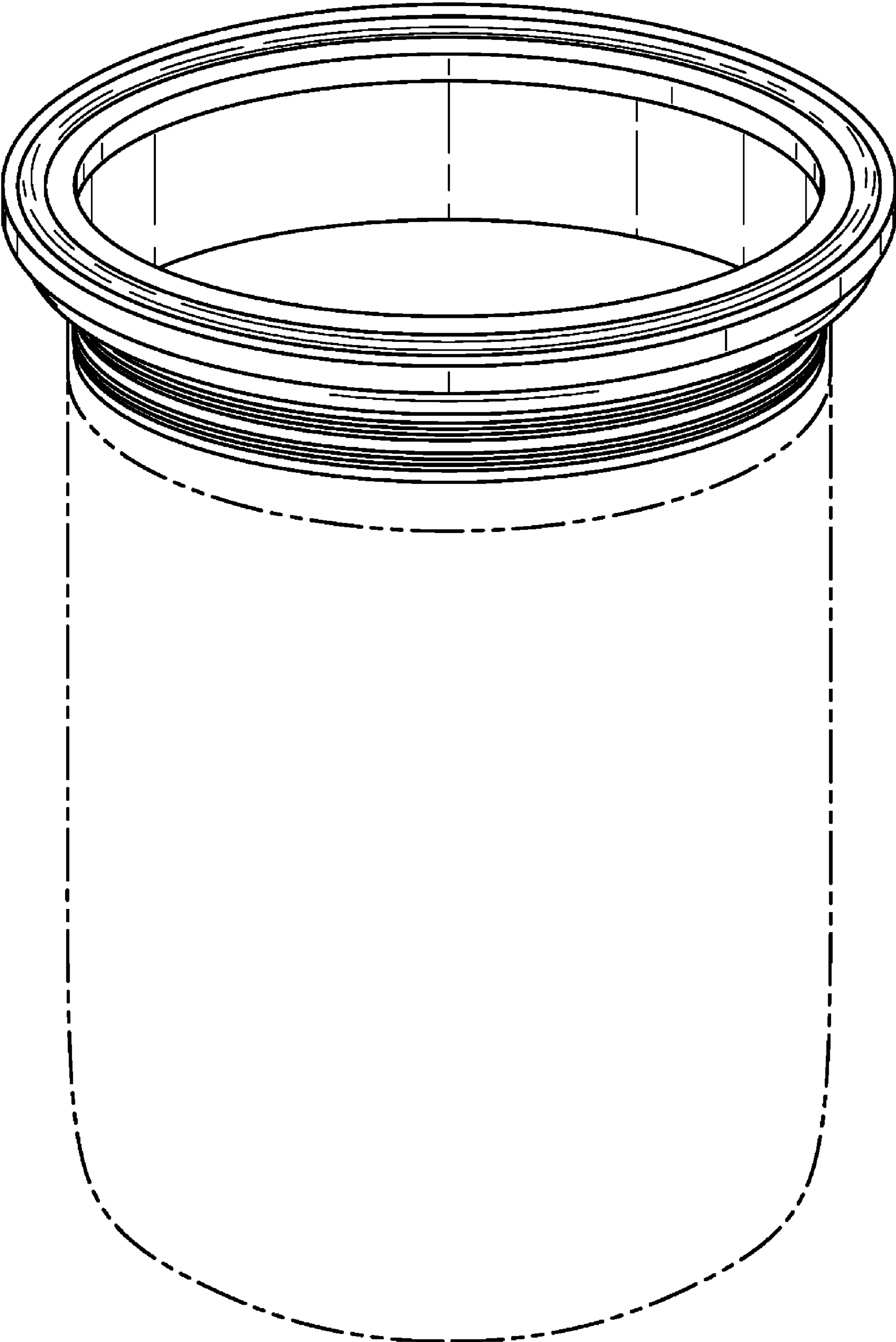


FIG. 1

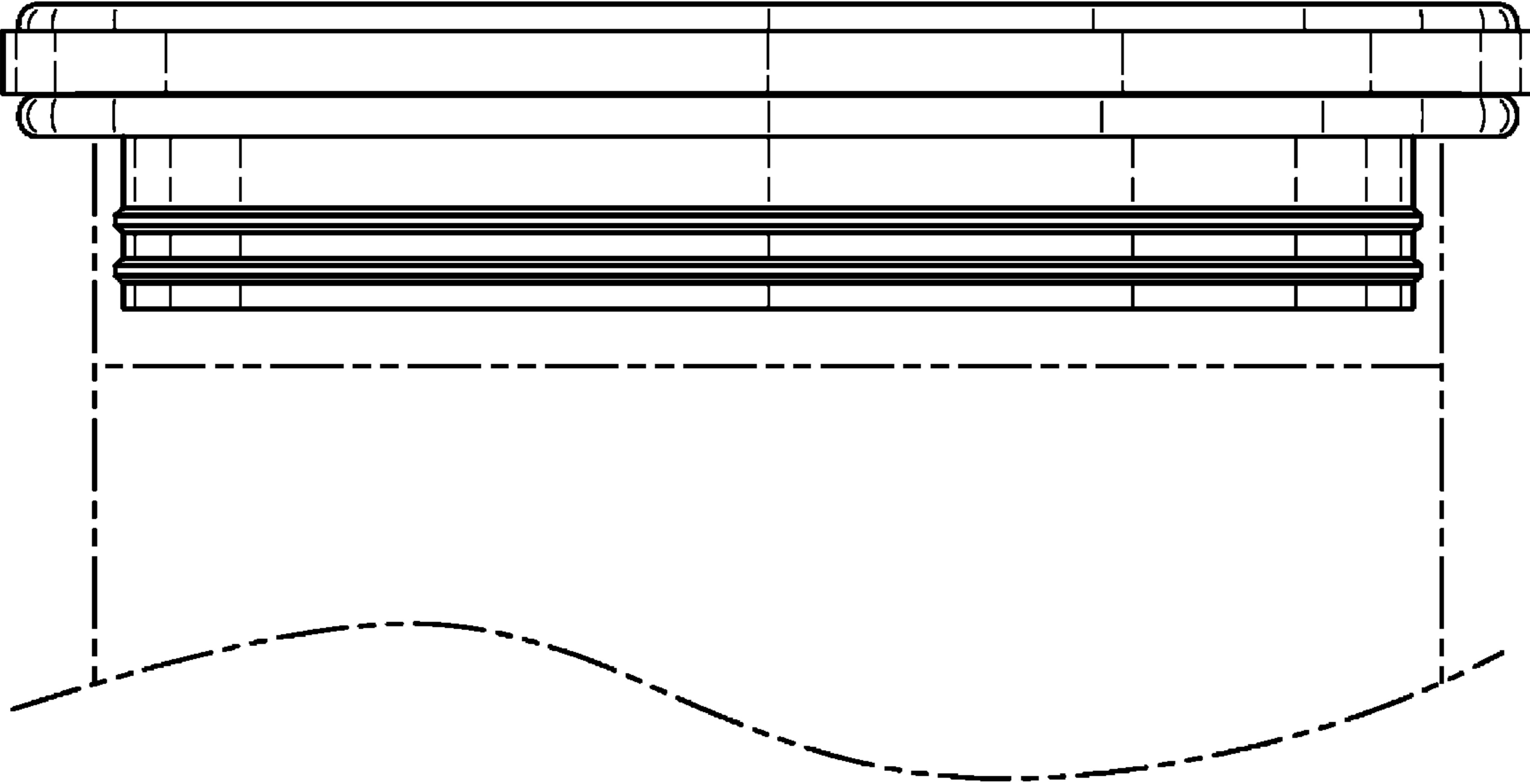


FIG. 2

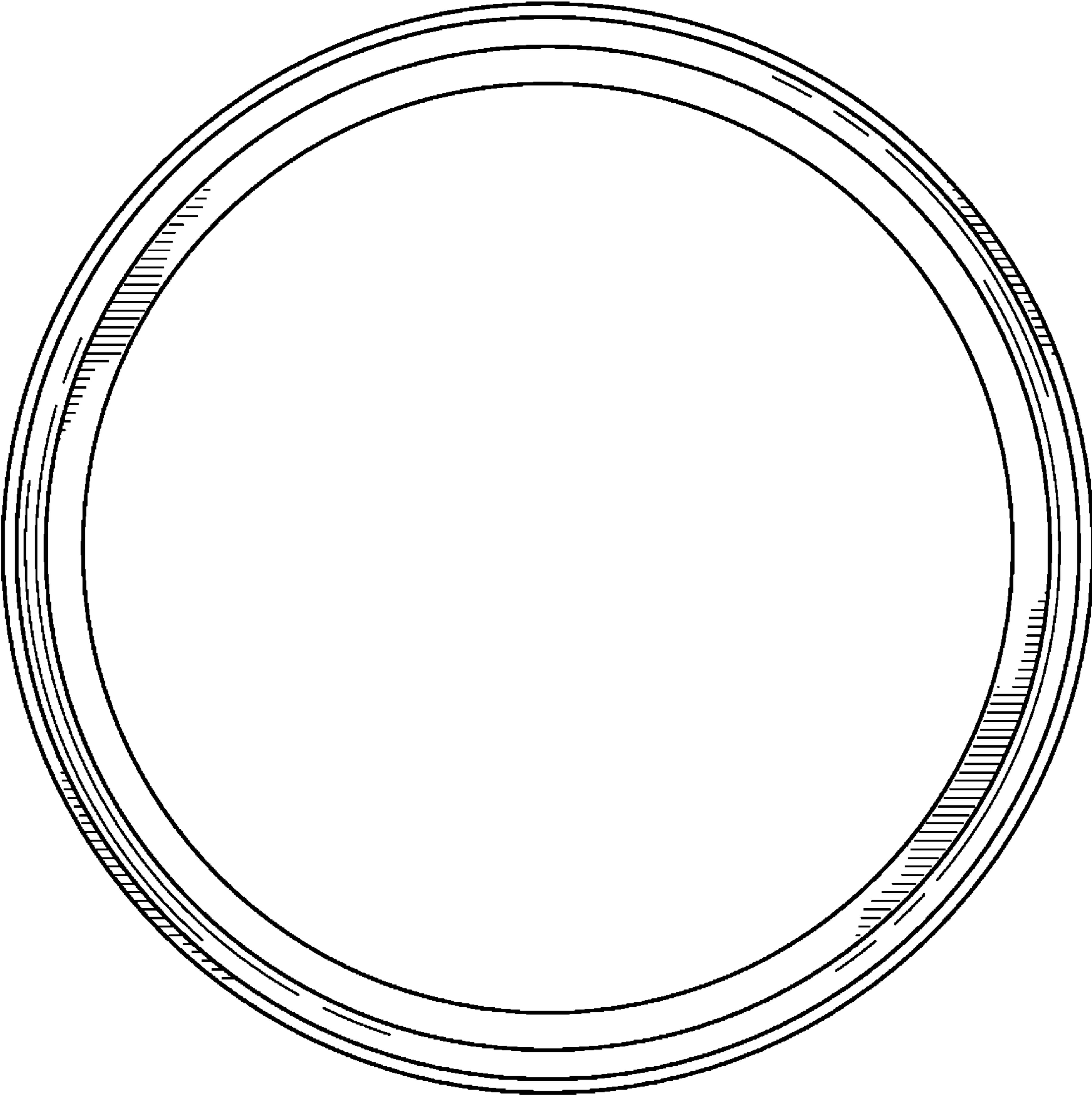


FIG. 3

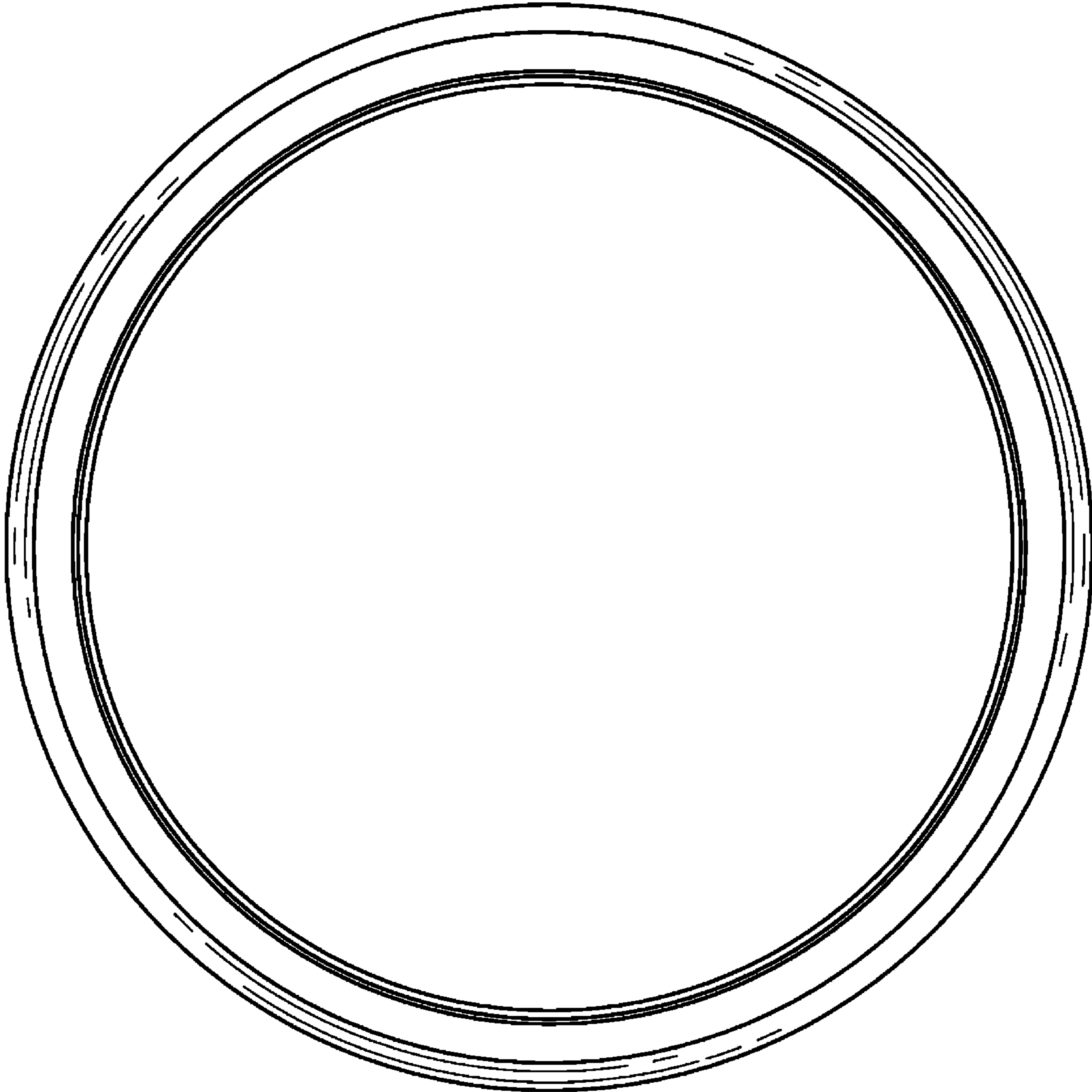


FIG. 4

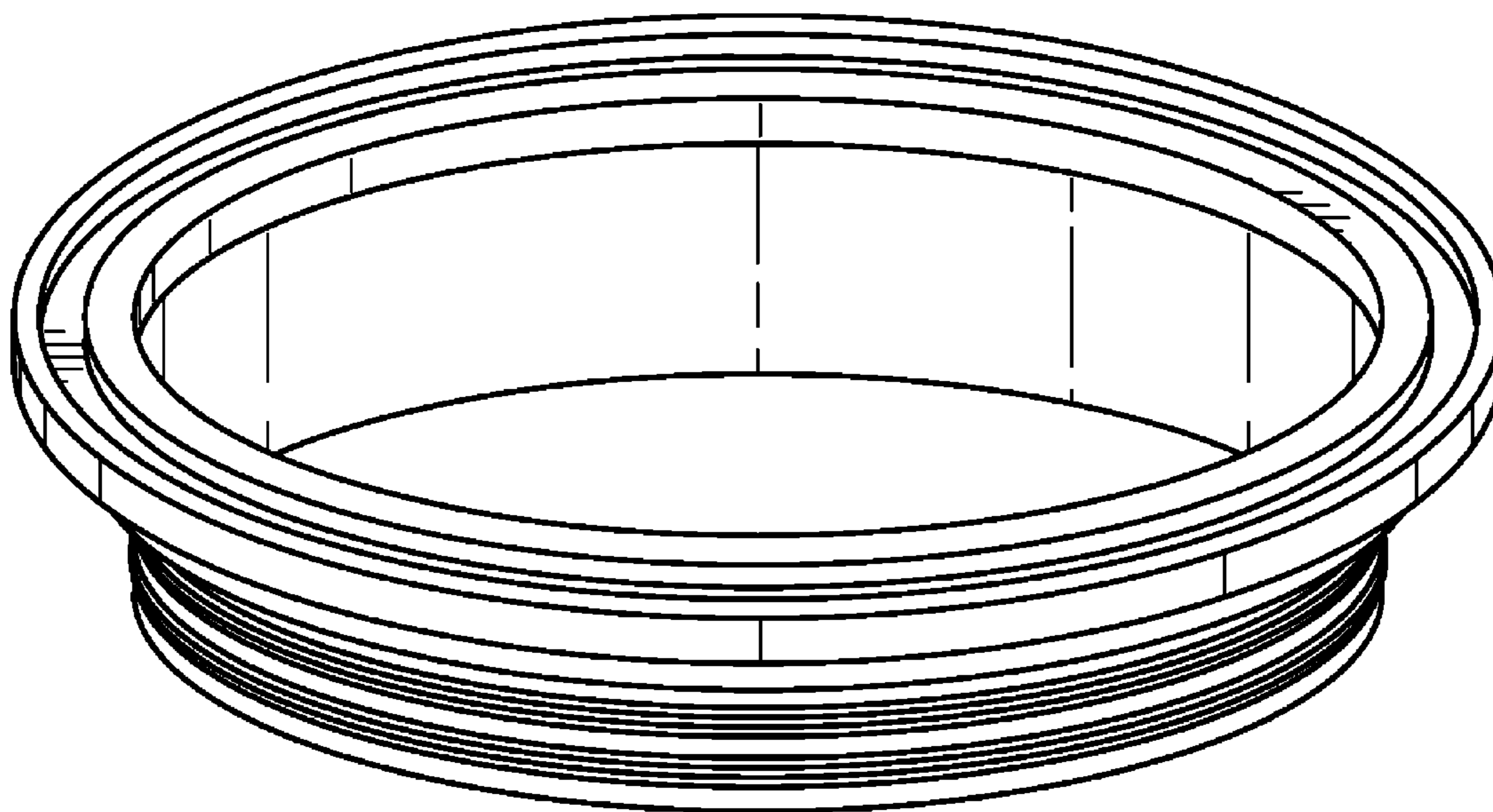


FIG. 5

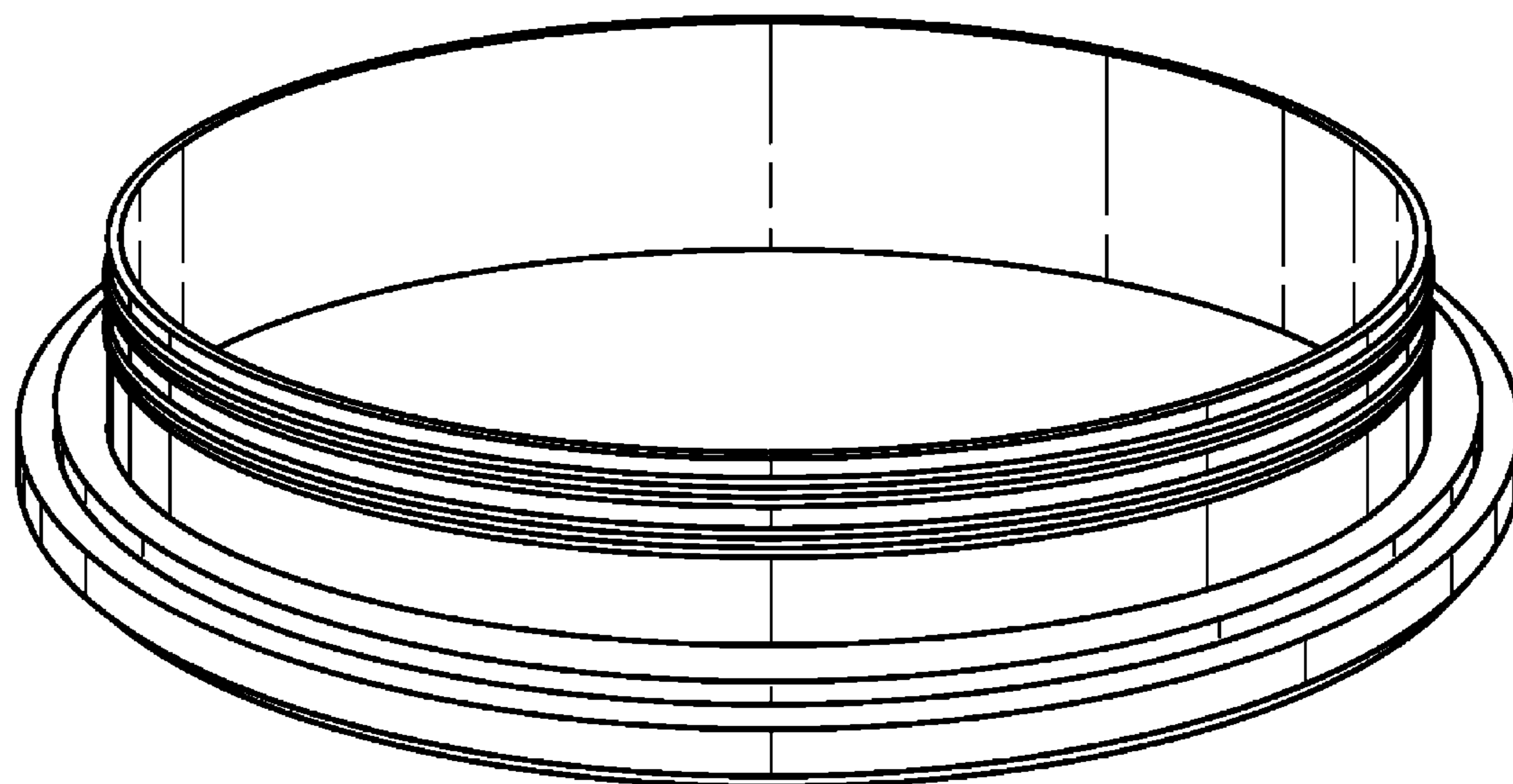


FIG. 6



FIG. 7

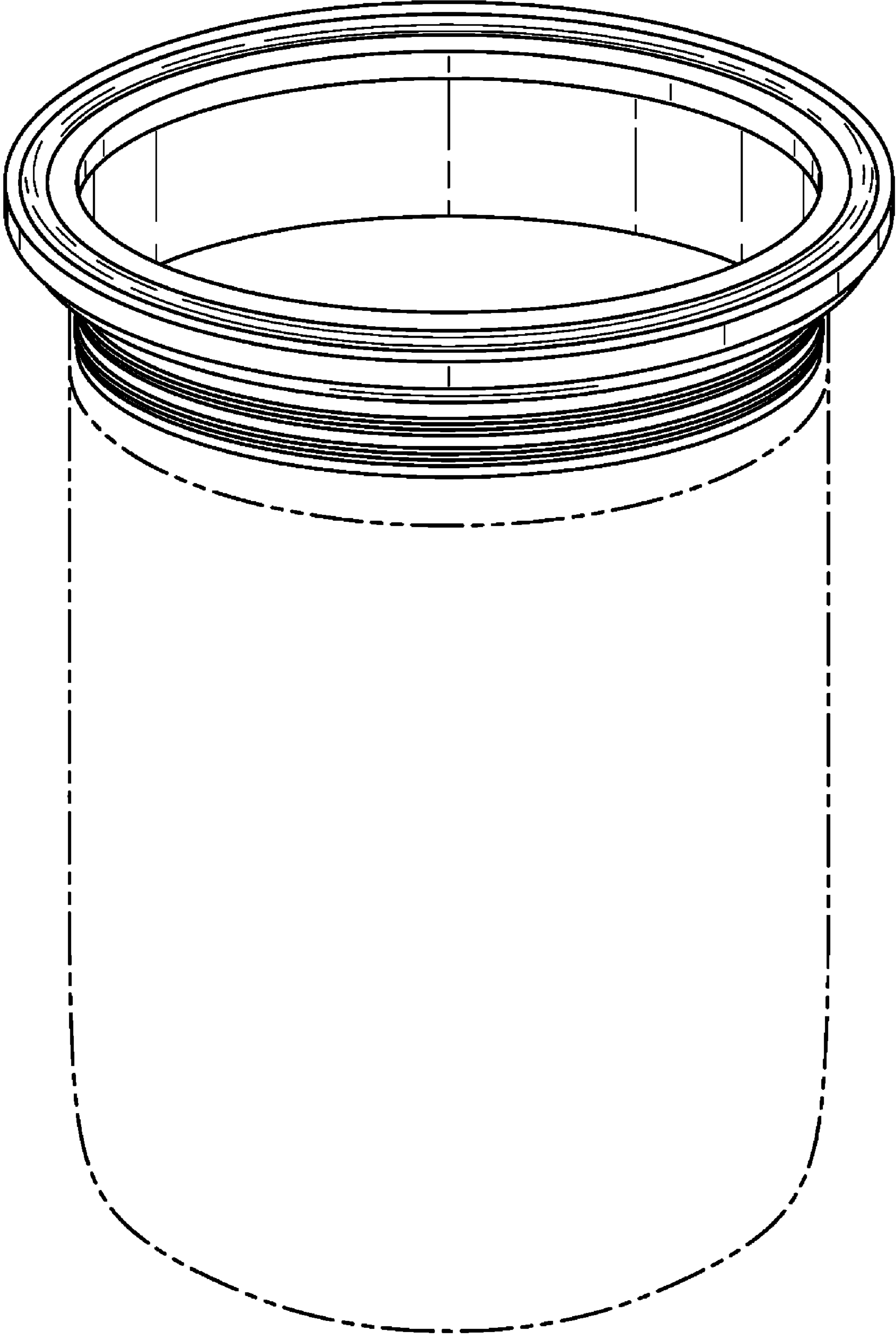


FIG. 8

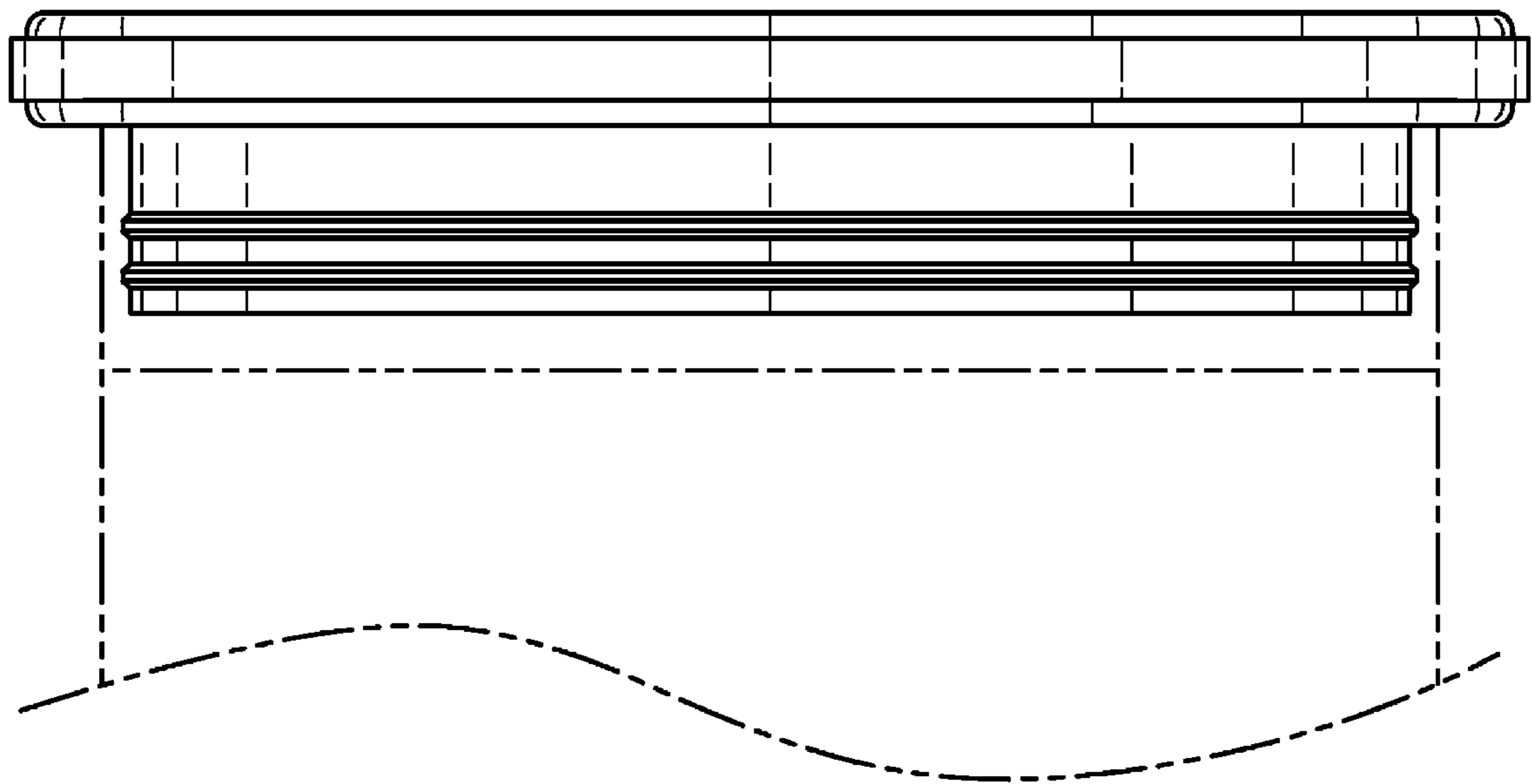


FIG. 9

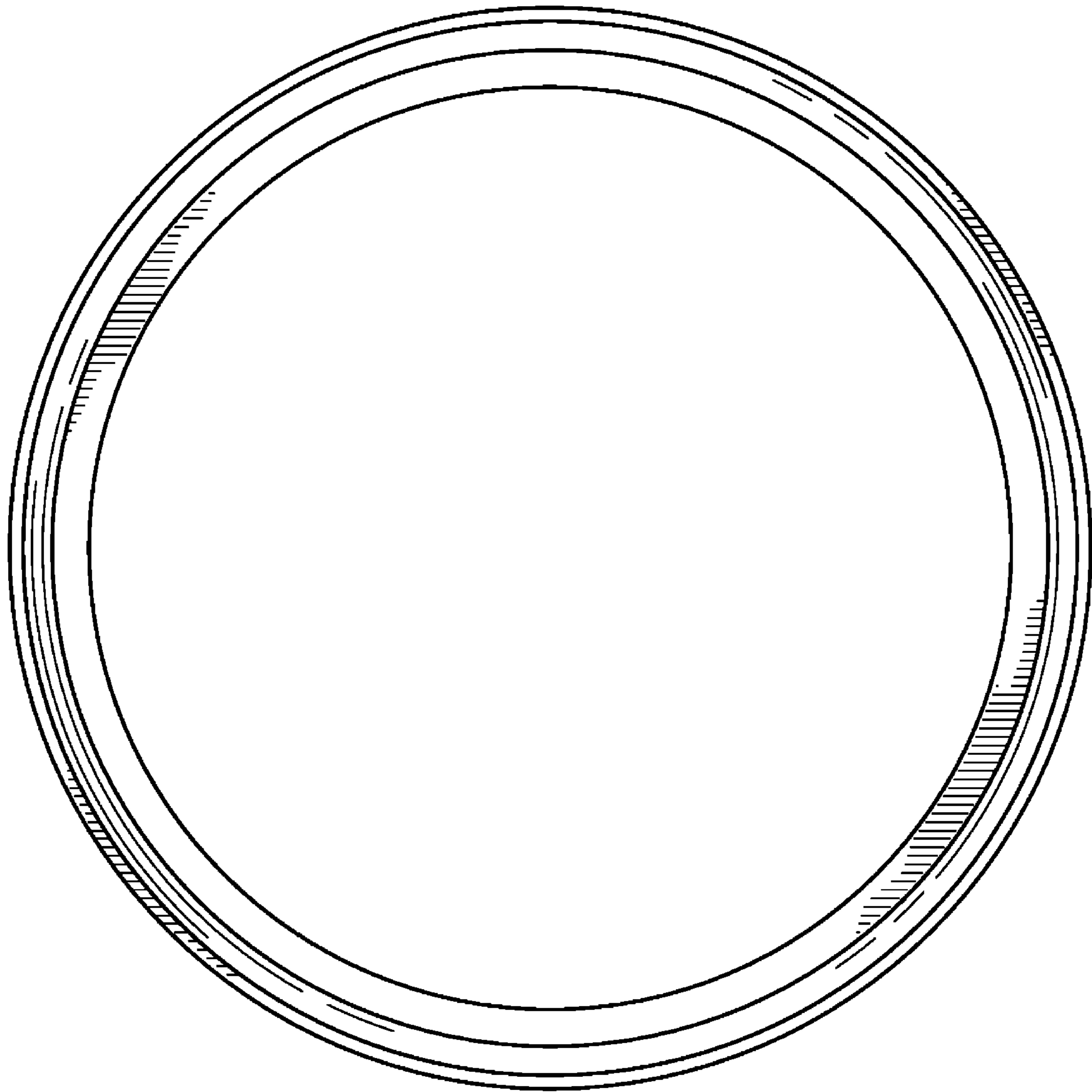


FIG. 10

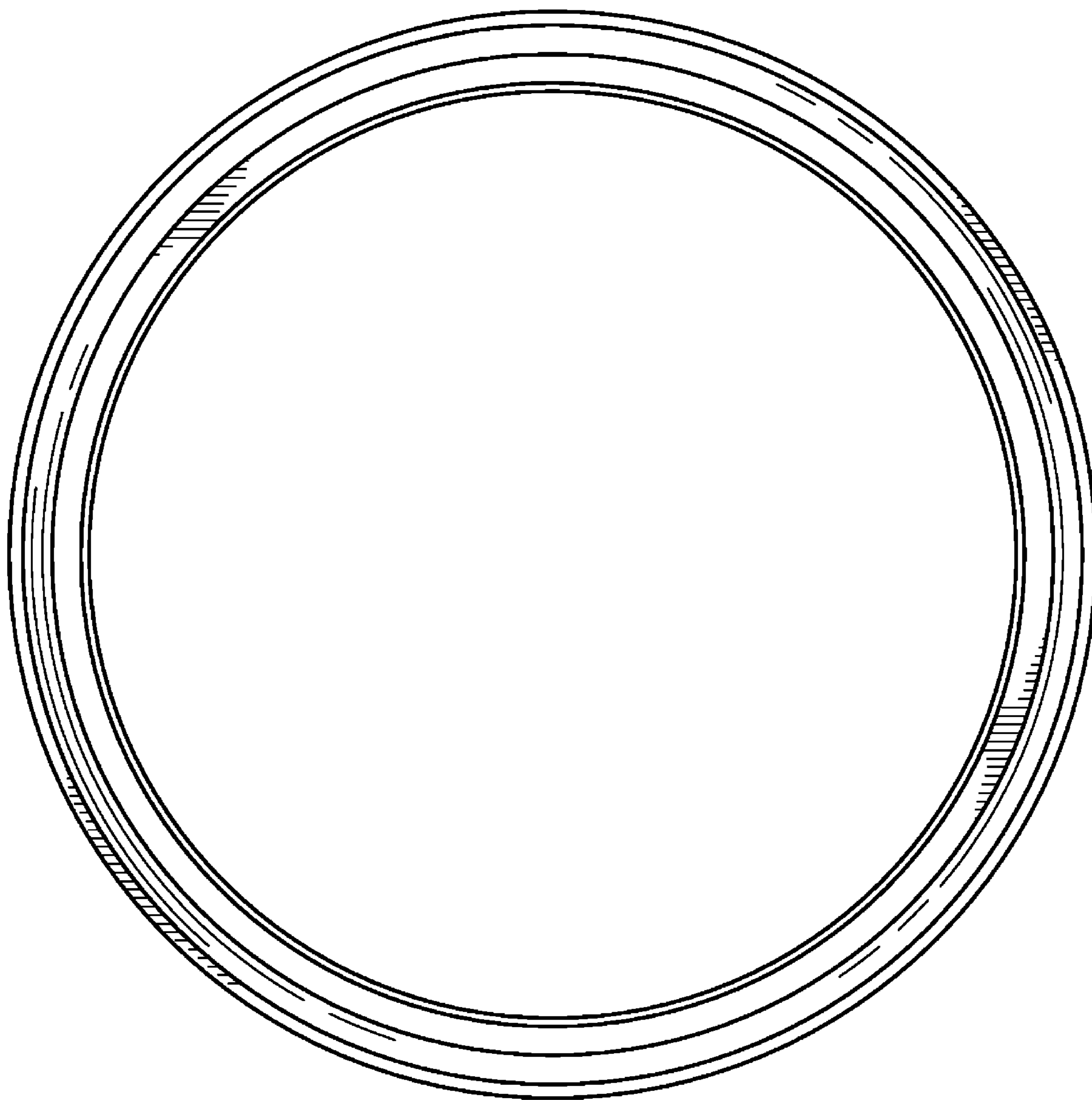


FIG. 11

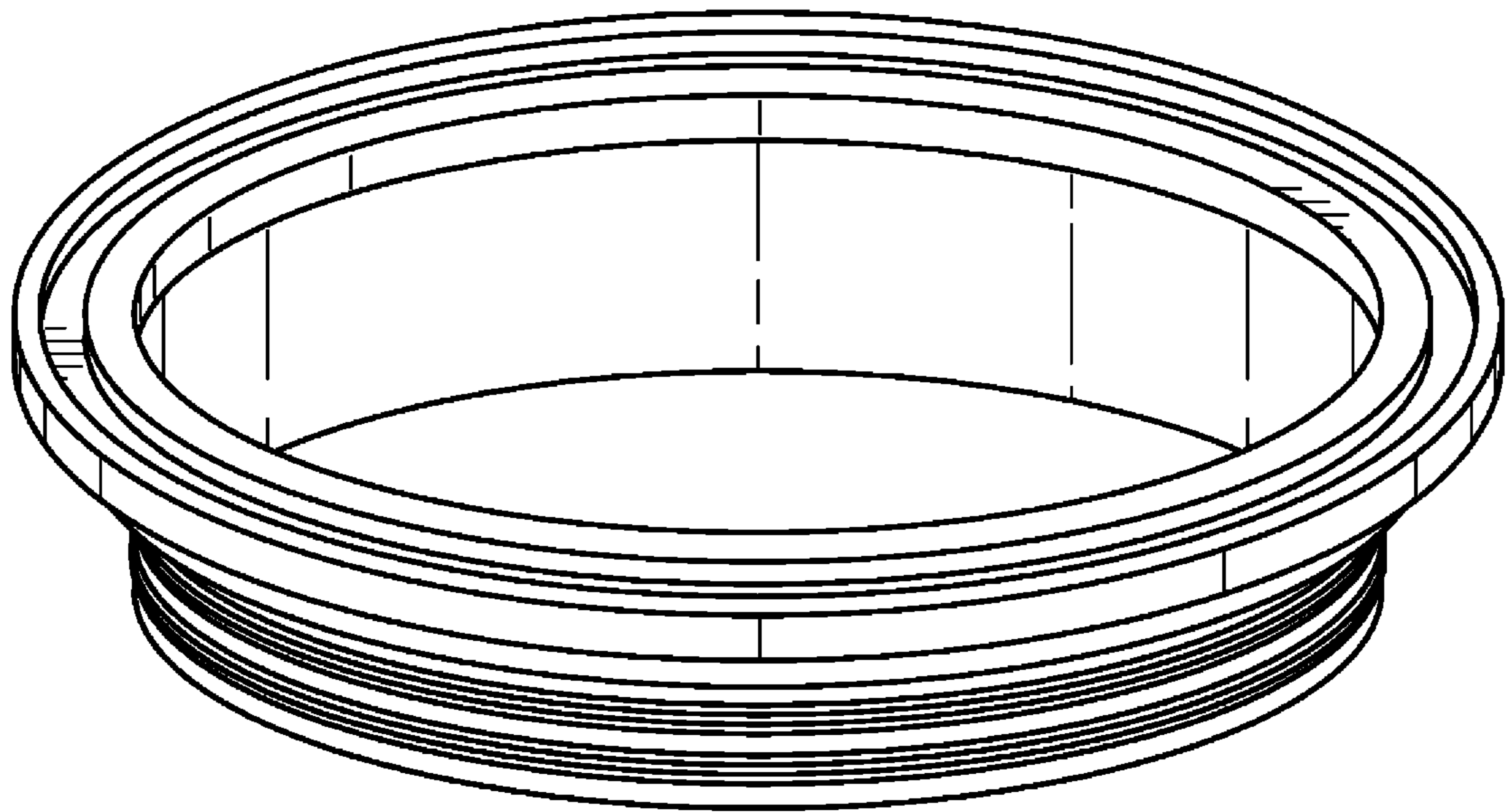


FIG. 12

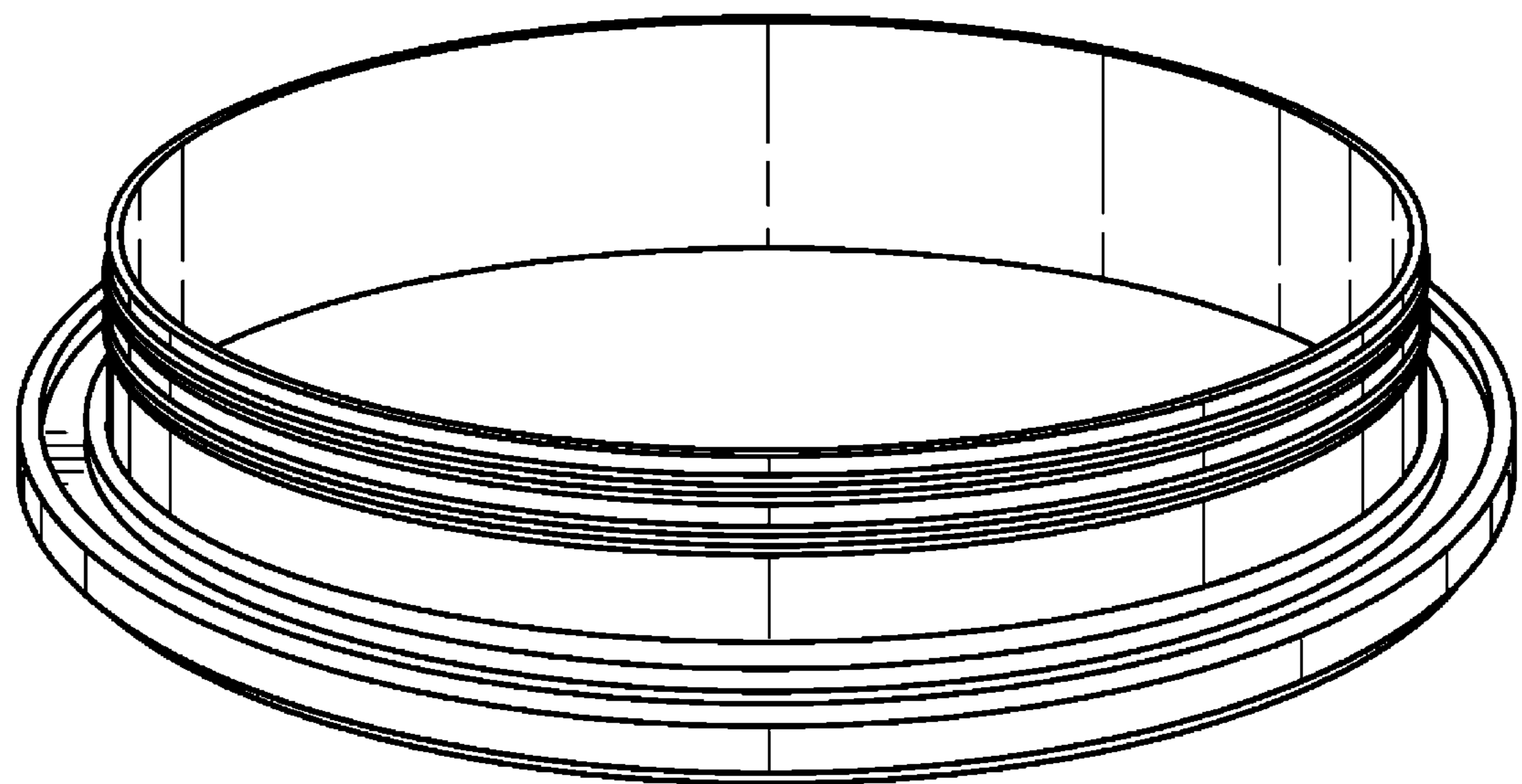


FIG. 13



FIG. 14