

US00D636054S

(12) **United States Design Patent**
Loew et al.

(10) **Patent No.:** **US D636,054 S**
(45) **Date of Patent:** **** Apr. 12, 2011**

(54) **DISPOSABLE TISSUE INTERFACE FOR USE
IN APPLYING ENERGY TO BODY TISSUE**

(75) Inventors: **Christopher Loew**, Palo Alto, CA (US);
Yoav Ben-Haim, San Francisco, CA
(US); **Peter J. Bentley**, San Jose, CA
(US); **Daniel Francis**, Mountain View,
CA (US)

(73) Assignee: **Miramar Labs, Inc.**, Sunnyvale, CA
(US)

(**) Term: **14 Years**

(21) Appl. No.: **29/348,386**

(22) Filed: **Dec. 28, 2009**

Related U.S. Application Data

(63) Continuation-in-part of application No.
PCT/US2009/005772, filed on Oct. 22, 2009.

(51) **LOC (9) Cl.** **28-03**

(52) **U.S. Cl.** **D23/200**

(58) **Field of Classification Search** D24/200,
D24/206, 209, 210, 185-187, 214, 215; 601/15,
601/16, 21, 46, 48, 64, 80, 68-70, 134-137;
607/96, 98, 99, 1; D28/9; D7/537, 598,
D7/603, 354; D3/304

See application file for complete search history.

(56) **References Cited**

U.S. PATENT DOCUMENTS

D263,872 S *	4/1982	Rakocy et al.	D24/214
D263,998 S *	4/1982	Oberheim	D24/214
D289,844 S *	5/1987	Daenen et al.	D7/354
D311,869 S *	11/1990	Carlson	D7/603
D351,236 S *	10/1994	Held	D24/215
D415,933 S *	11/1999	Cornelissen	D7/354
D450,926 S *	11/2001	Dickinson et al.	D3/304
D525,820 S *	8/2006	Oztiryaki	D7/354
D533,015 S *	12/2006	Brookshire et al.	D7/354
D533,943 S *	12/2006	Chen	D24/214
D540,112 S *	4/2007	Nichols et al.	D7/354
D569,169 S *	5/2008	Munson	D7/354
D602,740 S *	10/2009	Urquiola	D7/603

* cited by examiner

Primary Examiner — David G Muller

(74) *Attorney, Agent, or Firm* — Downs Rachlin Martin
PLLC

(57) **CLAIM**

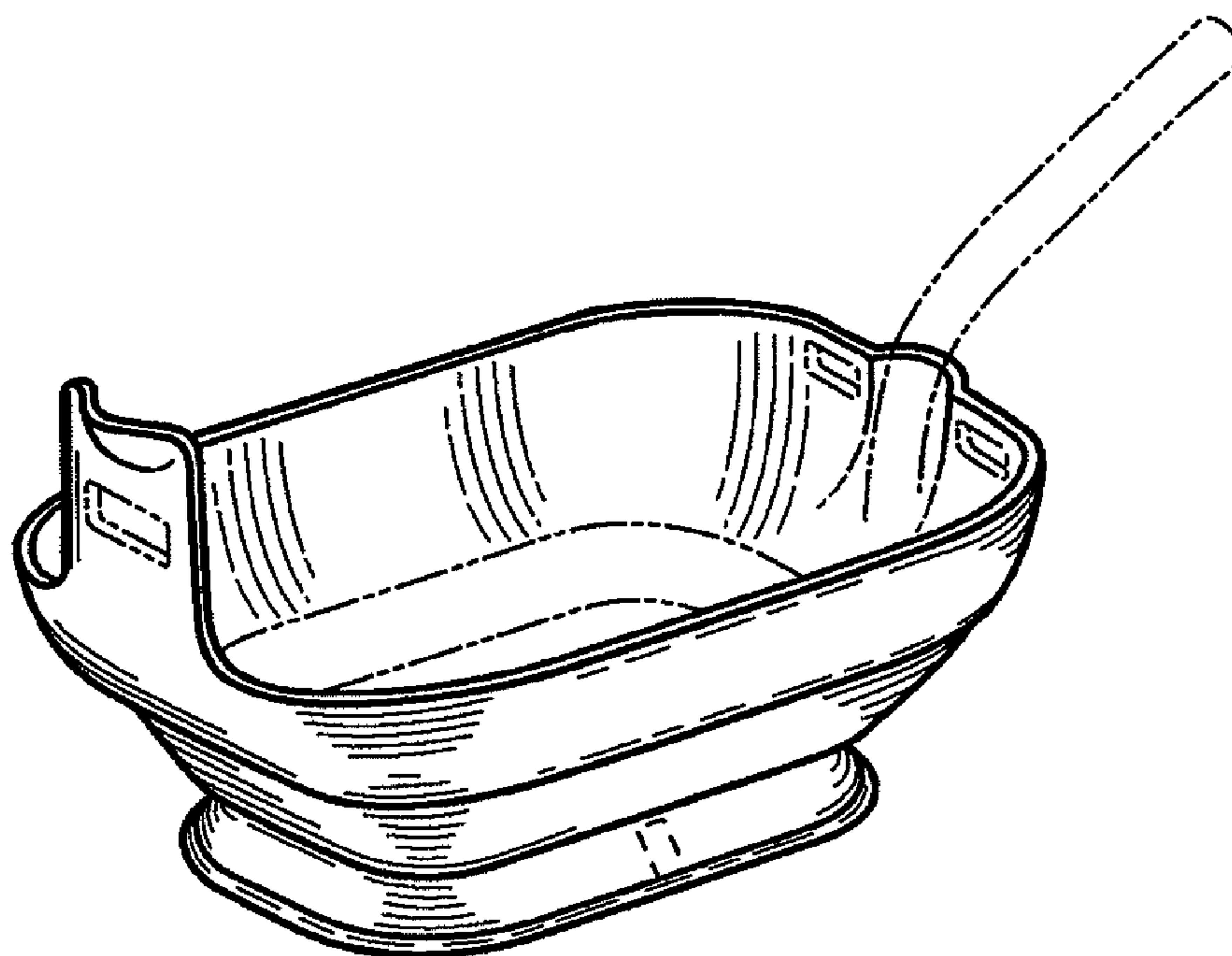
The ornamental design for a disposable tissue interface for
use in applying energy to body tissue, as shown and
described.

DESCRIPTION

FIG. 1 is a perspective view;
FIG. 2 is a right side elevation view;
FIG. 3 is a left side elevation view;
FIG. 4 is a top plan view;
FIG. 5 is a bottom plan view;
FIG. 6 is a front elevation view; and,
FIG. 7 is a rear elevation view.

The phantom lines are for environmental purposes only and
form no part of the claimed design.

1 Claim, 2 Drawing Sheets



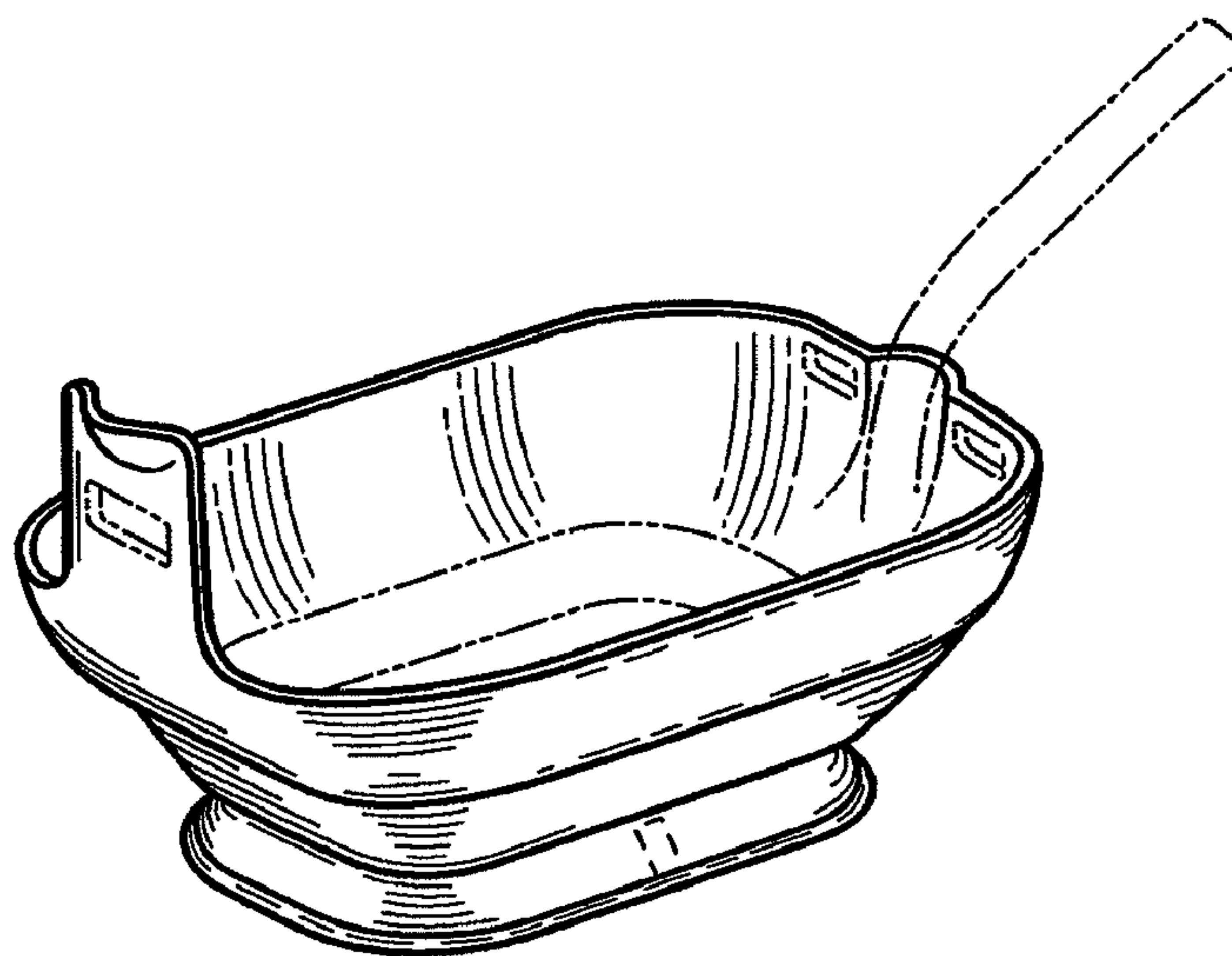


Fig. 1

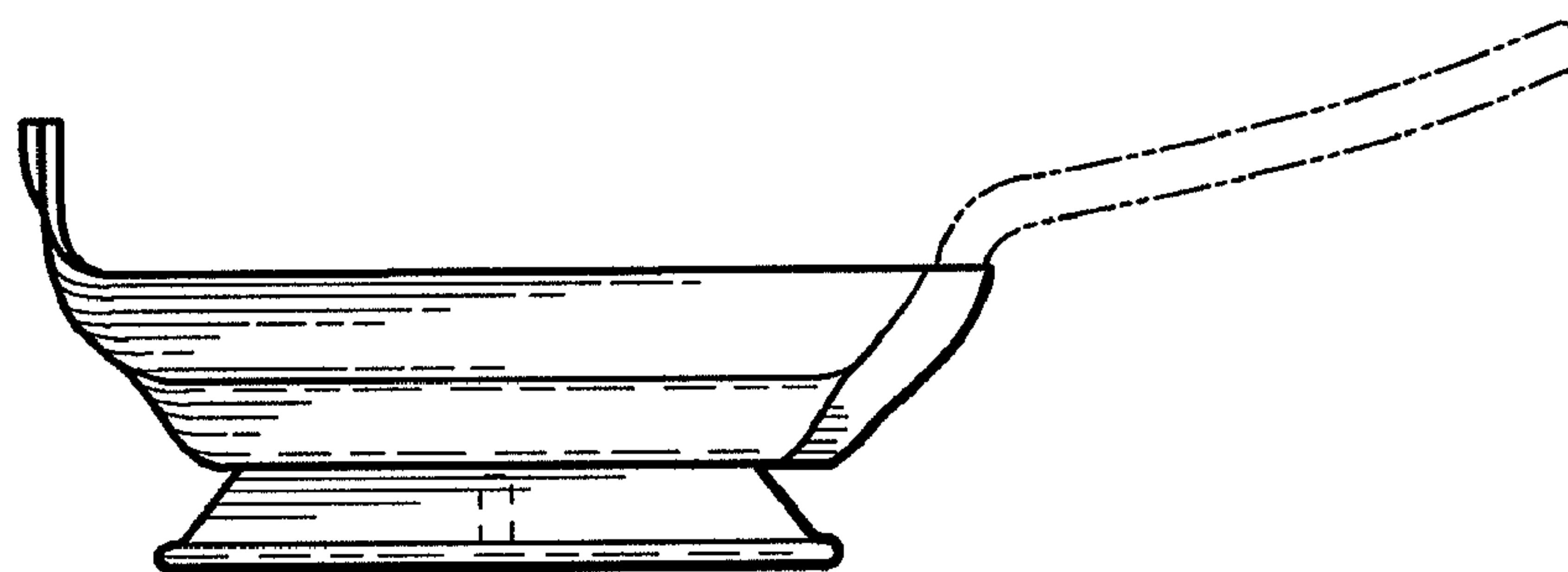


Fig. 2

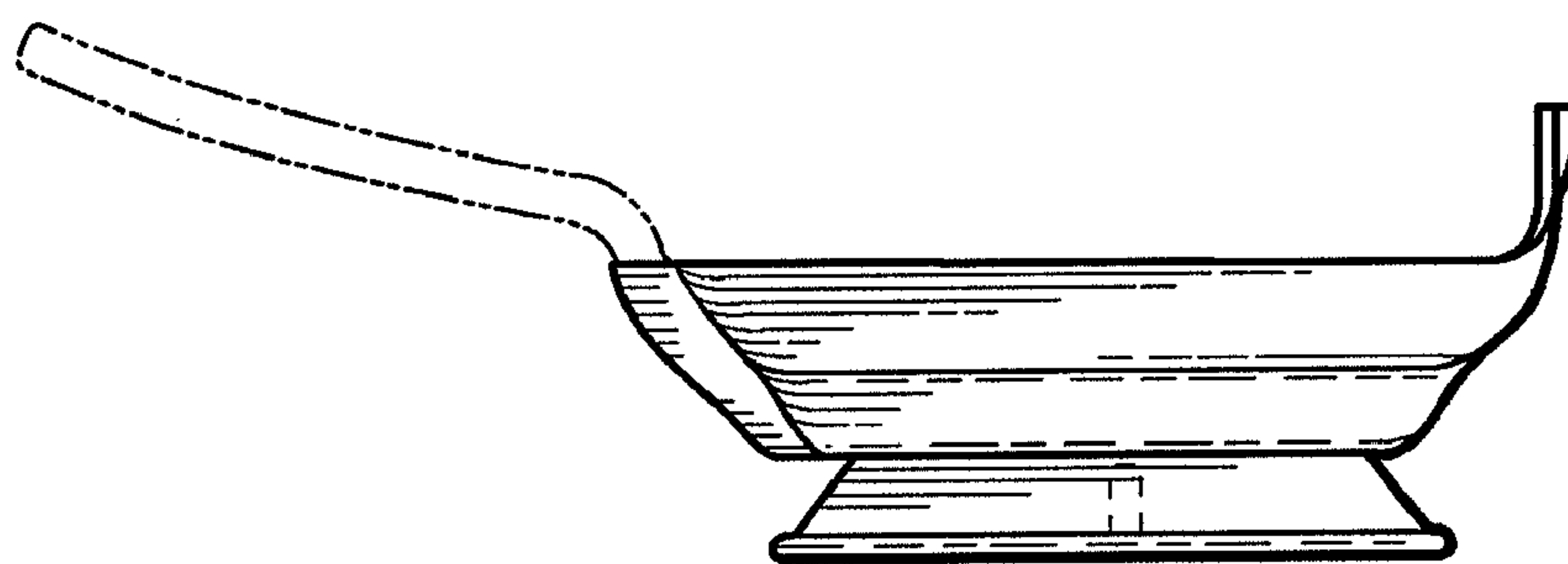


Fig. 3

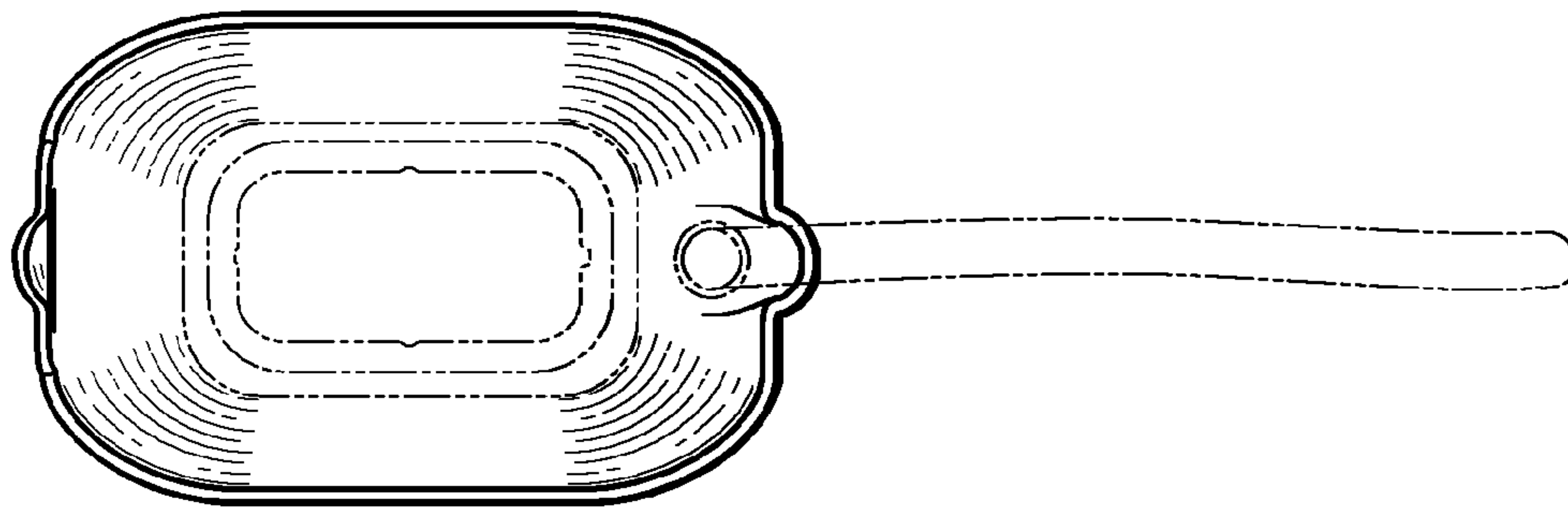


Fig. 4

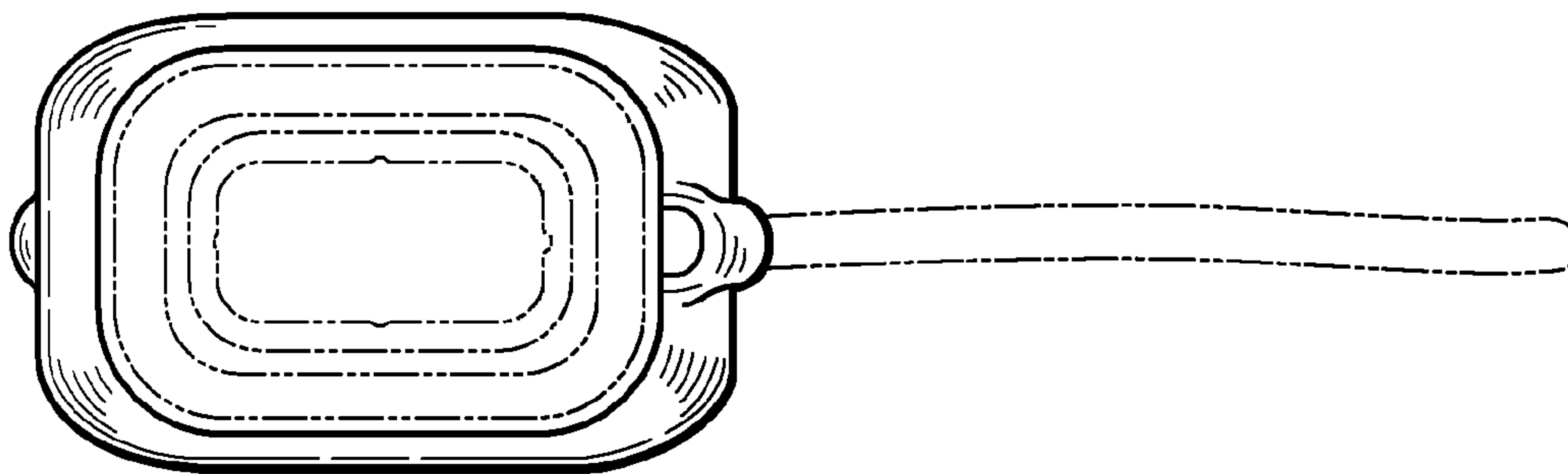


Fig. 5

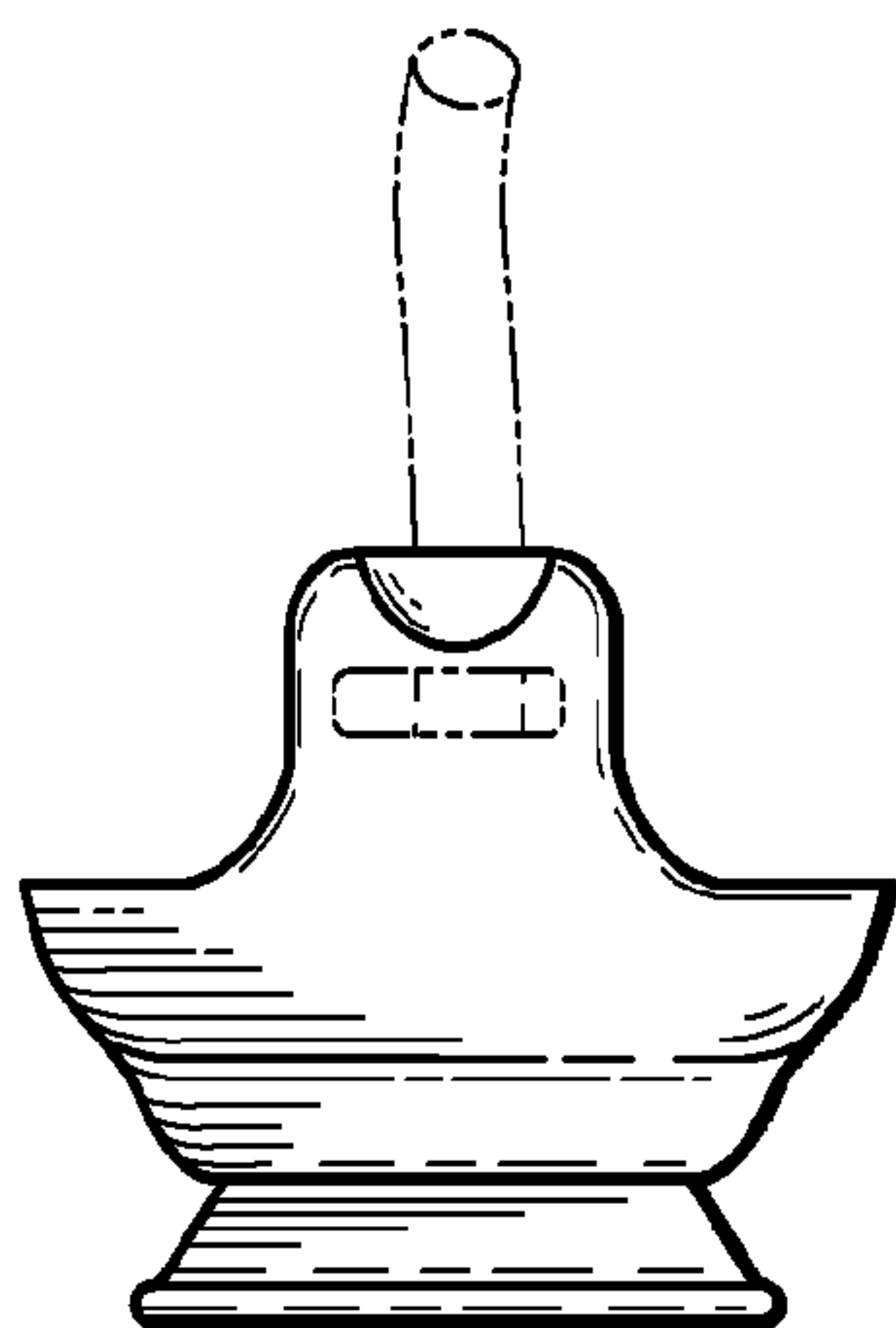


Fig. 6

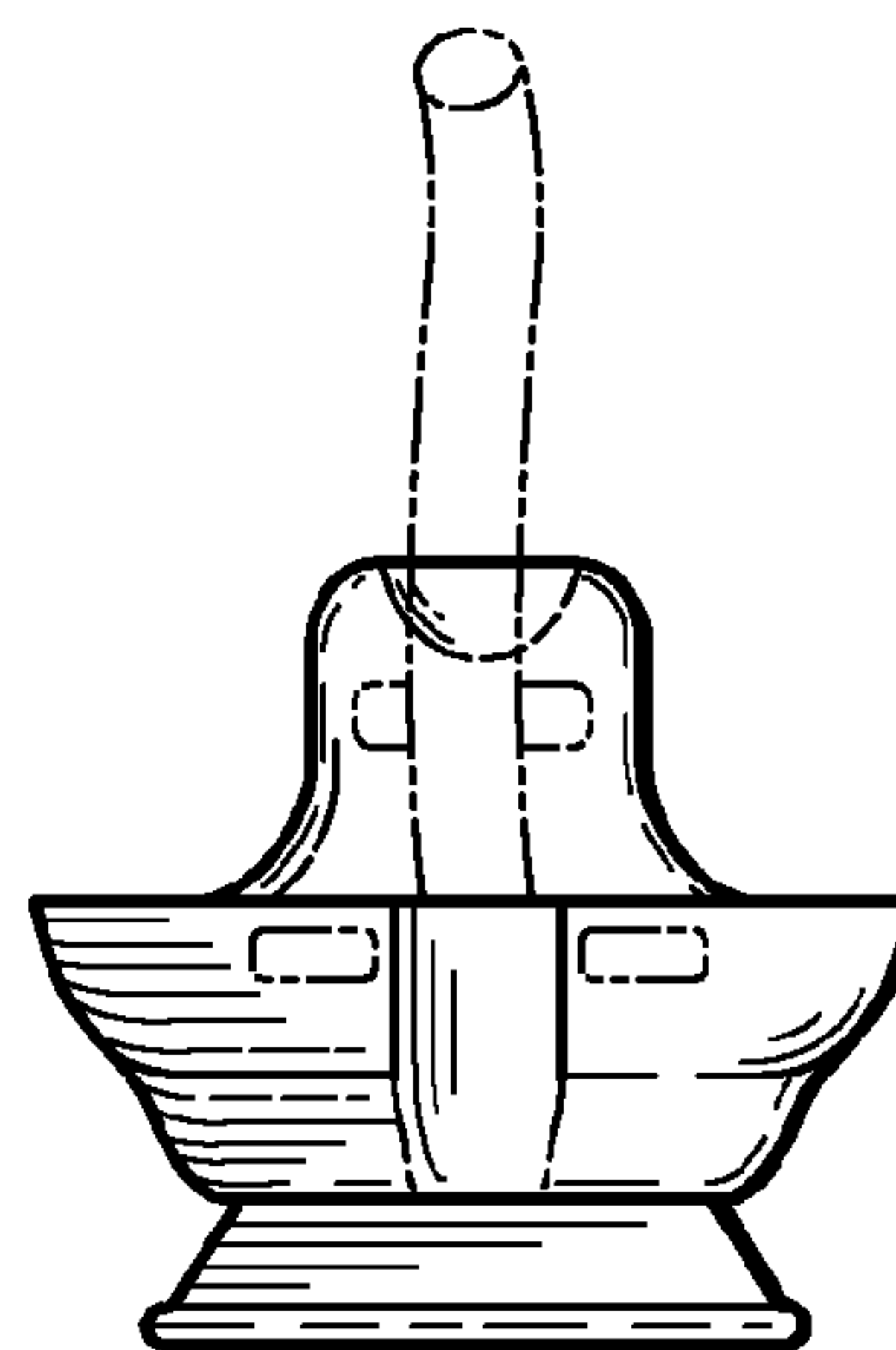


Fig. 7