



US00D636047S

(12) **United States Design Patent**
Larson et al.

(10) **Patent No.:** **US D636,047 S**

(45) **Date of Patent:** **** Apr. 12, 2011**

(54) **FIREARM**

(75) Inventors: **Mark Larson**, Colona, IL (US); **Lester Larson, Jr.**, Colona, IL (US)

(73) Assignee: **Rock River Arms, Inc.**, Colona, IL (US)

(**) Term: **14 Years**

(21) Appl. No.: **29/361,189**

(22) Filed: **May 6, 2010**

(51) **LOC (9) Cl.** **22-01**

(52) **U.S. Cl.** **D22/108**

(58) **Field of Classification Search** D22/100,
D22/108, 109, 110, 199; 248/205.1, 201;
42/11, 113, 116, 119, 124, 125, 127, 90,
42/145, 128, 72, 106, 114, 85, 75.02, 71.01
See application file for complete search history.

(56) **References Cited**

U.S. PATENT DOCUMENTS

5,448,940 A 9/1995 Schuetz et al.
D593,629 S * 6/2009 Bantle et al. D22/104
D627,028 S * 11/2010 Coulombier D22/104
2007/0289192 A1* 12/2007 Whaley 42/90

2008/0168696 A1* 7/2008 Orne et al. 42/90
2009/0282718 A1* 11/2009 Bartley 42/75.03
2010/0037505 A1* 2/2010 Romer 42/124

OTHER PUBLICATIONS

Rock River Arms, Inc. 2010 Retail Catalog, US.

* cited by examiner

Primary Examiner — T. Chase Nelson

Assistant Examiner — Michael A Pratt

(74) *Attorney, Agent, or Firm* — Banner & Witcoff, Ltd.

(57) **CLAIM**

The ornamental design for a firearm, as shown and described.

DESCRIPTION

FIG. 1 is a bottom, front, left perspective view of a firearm showing our new design;

FIG. 2 is an enlarged fragmentary bottom, front, left perspective view thereof;

FIG. 3 is an enlarged fragmentary left view thereof;

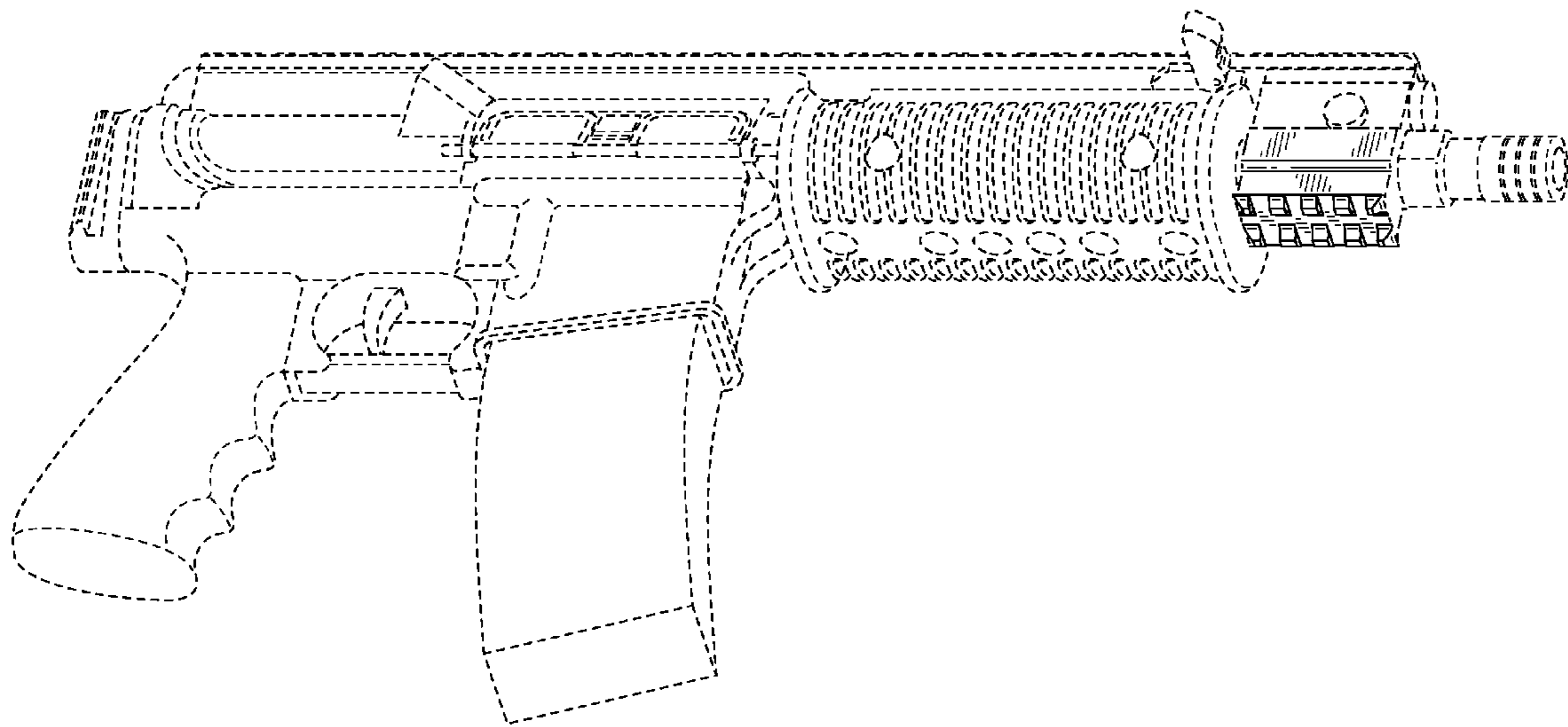
FIG. 4 is an enlarged fragmentary right view thereof;

FIG. 5 is a fragmentary front view thereof; and,

FIG. 6 is an enlarged fragmentary bottom view thereof.

The uneven-length broken lines immediately adjacent to the solid line disclosure represent the unclaimed boundaries of the claimed design. The even-length broken lines showing the remainder of the firearm are for illustrative purposes only and form no part of the claimed design.

1 Claim, 4 Drawing Sheets



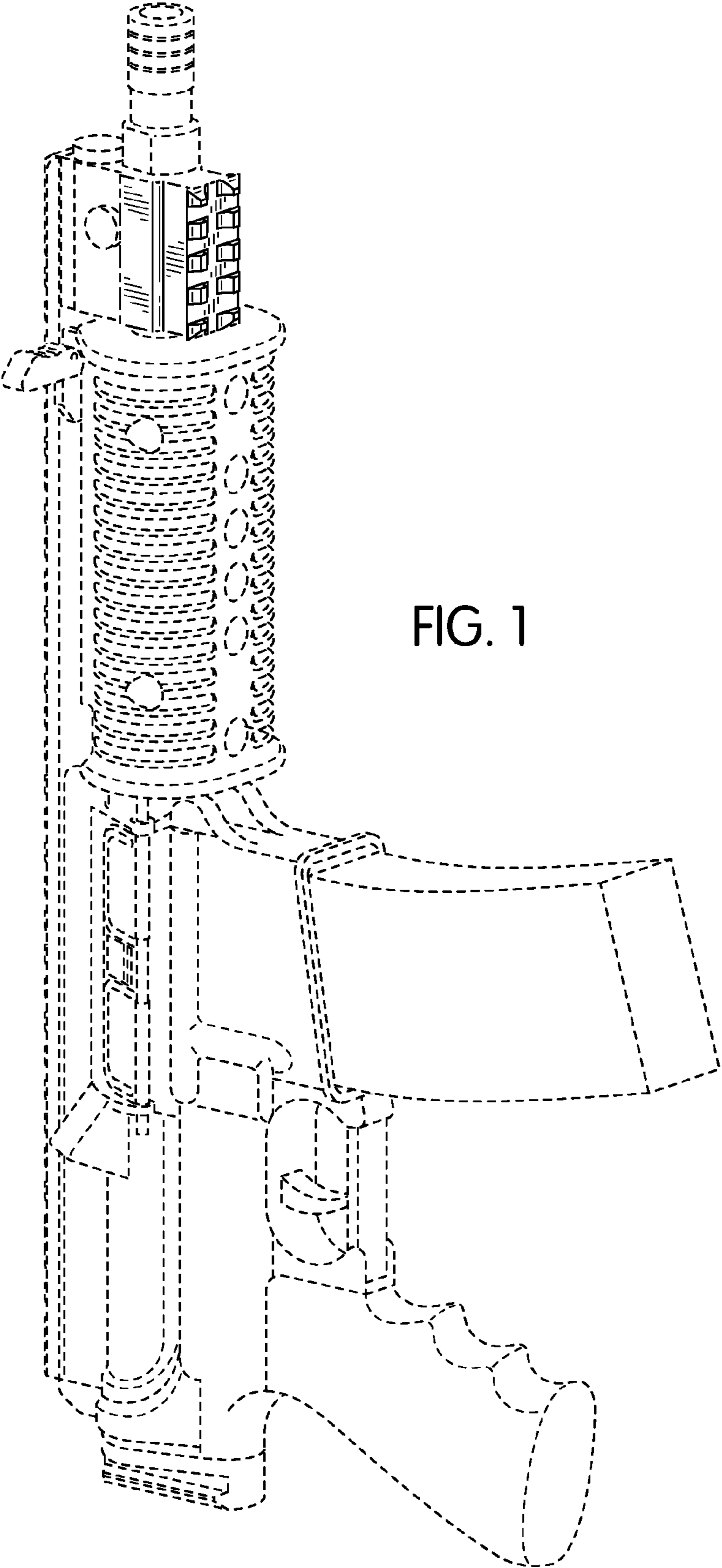


FIG. 1

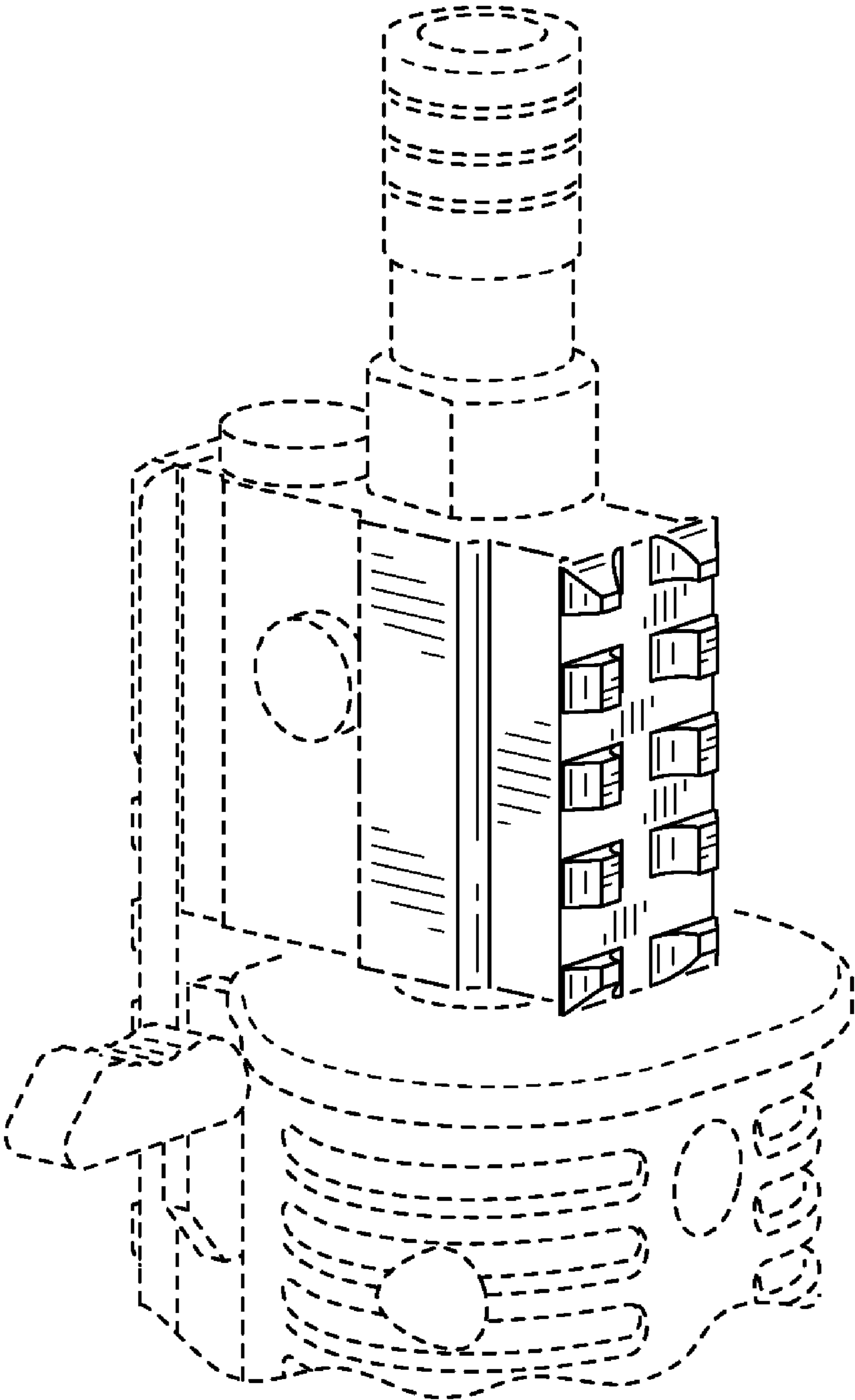


FIG. 2

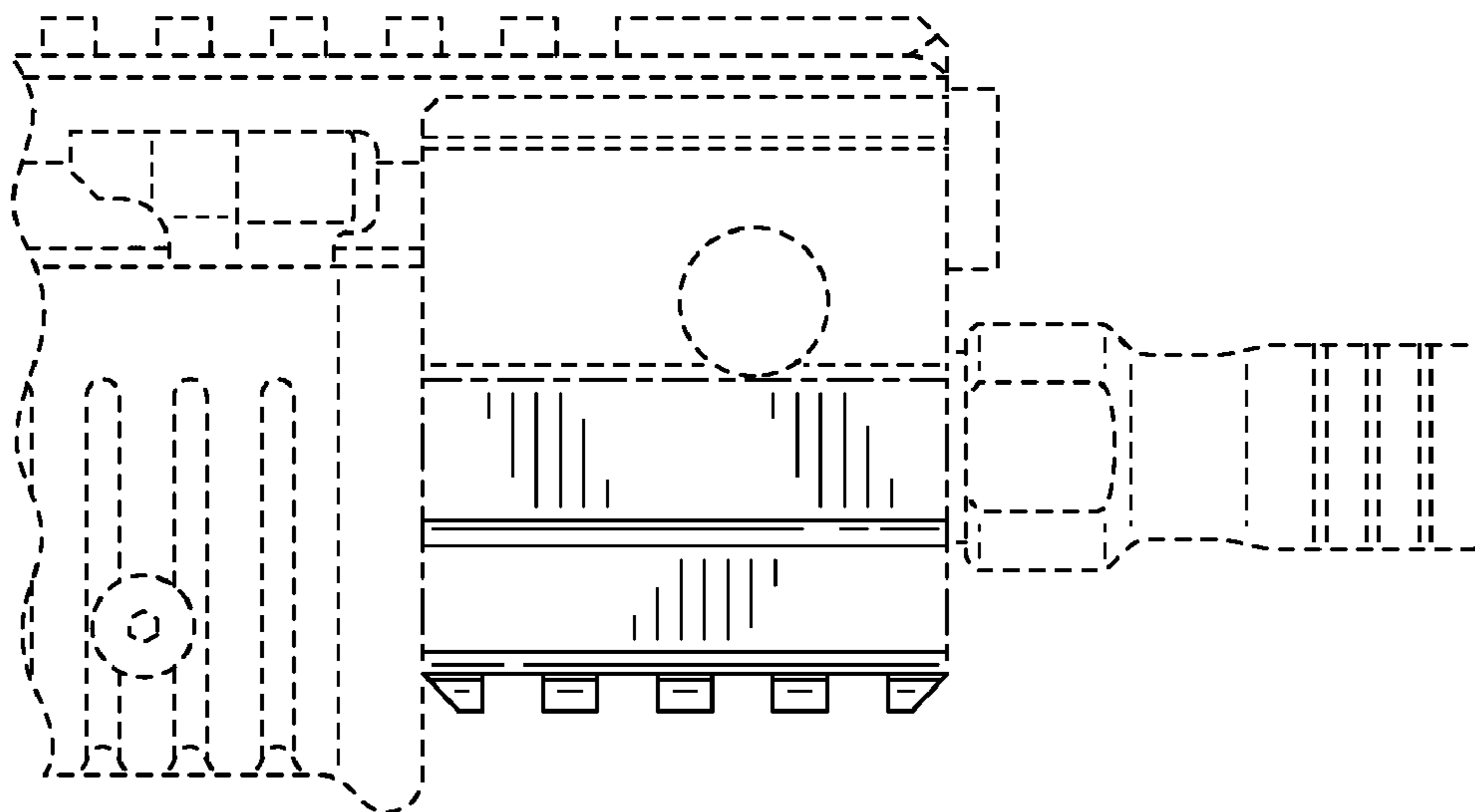


FIG. 3

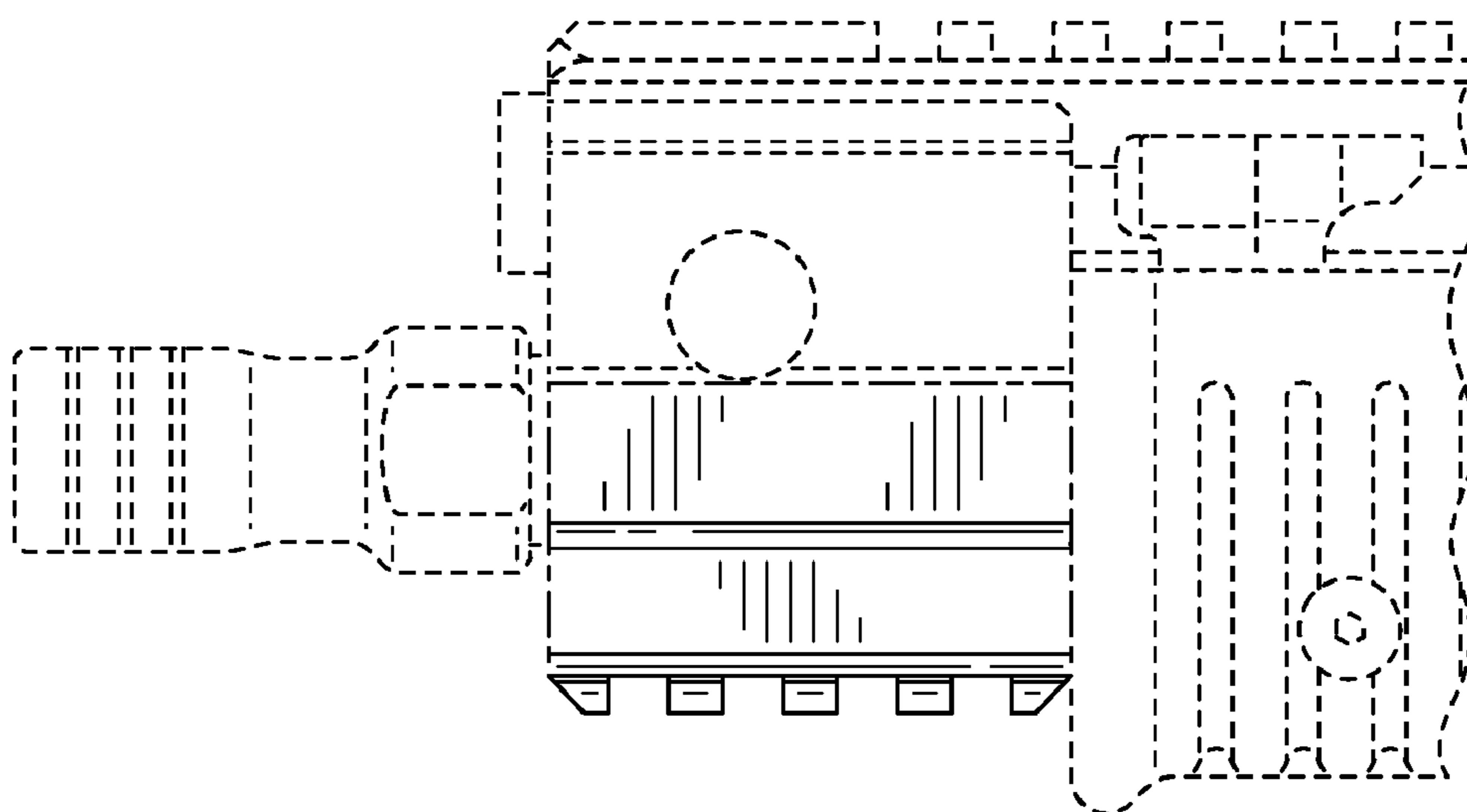


FIG. 4

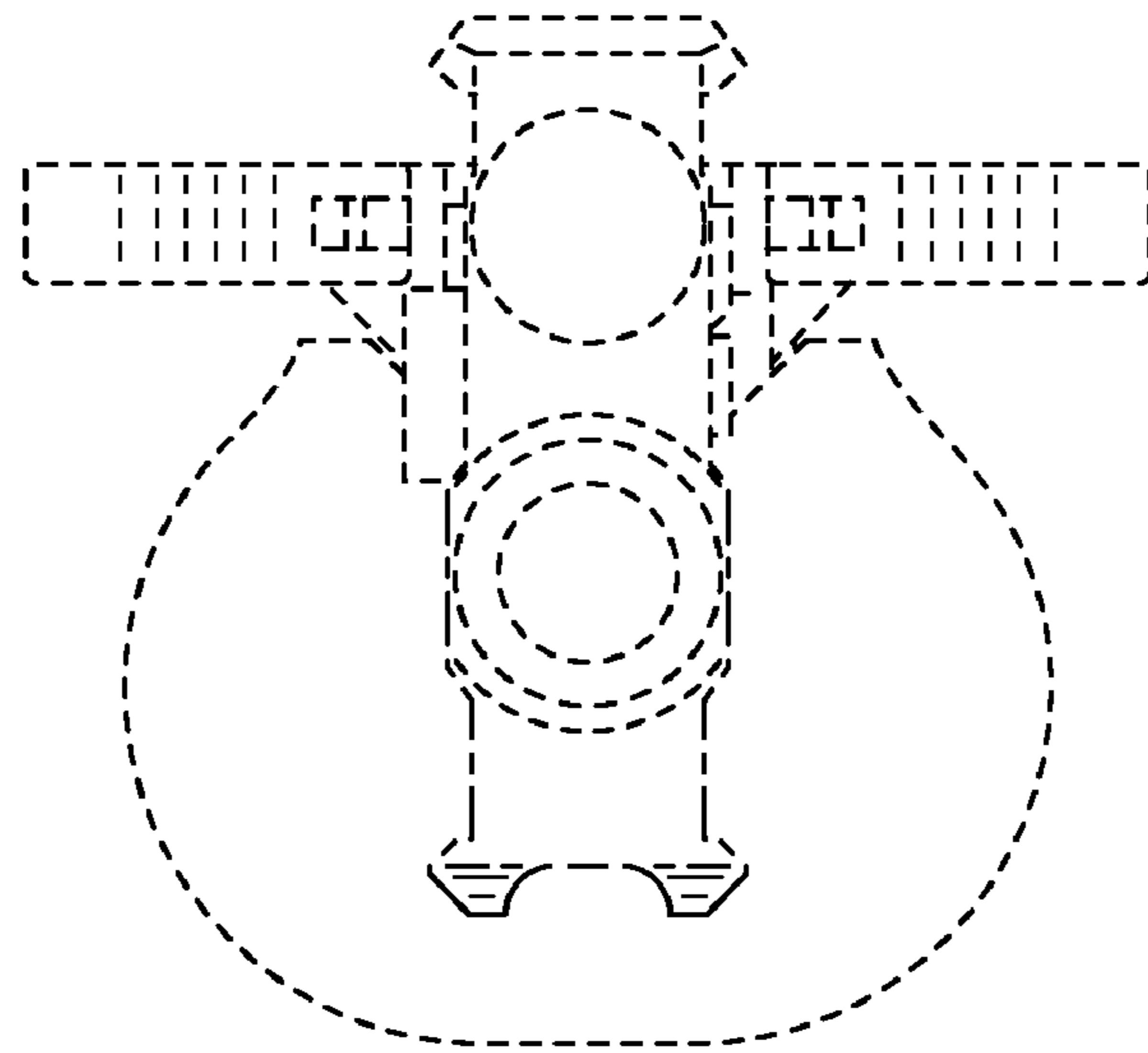


FIG. 5

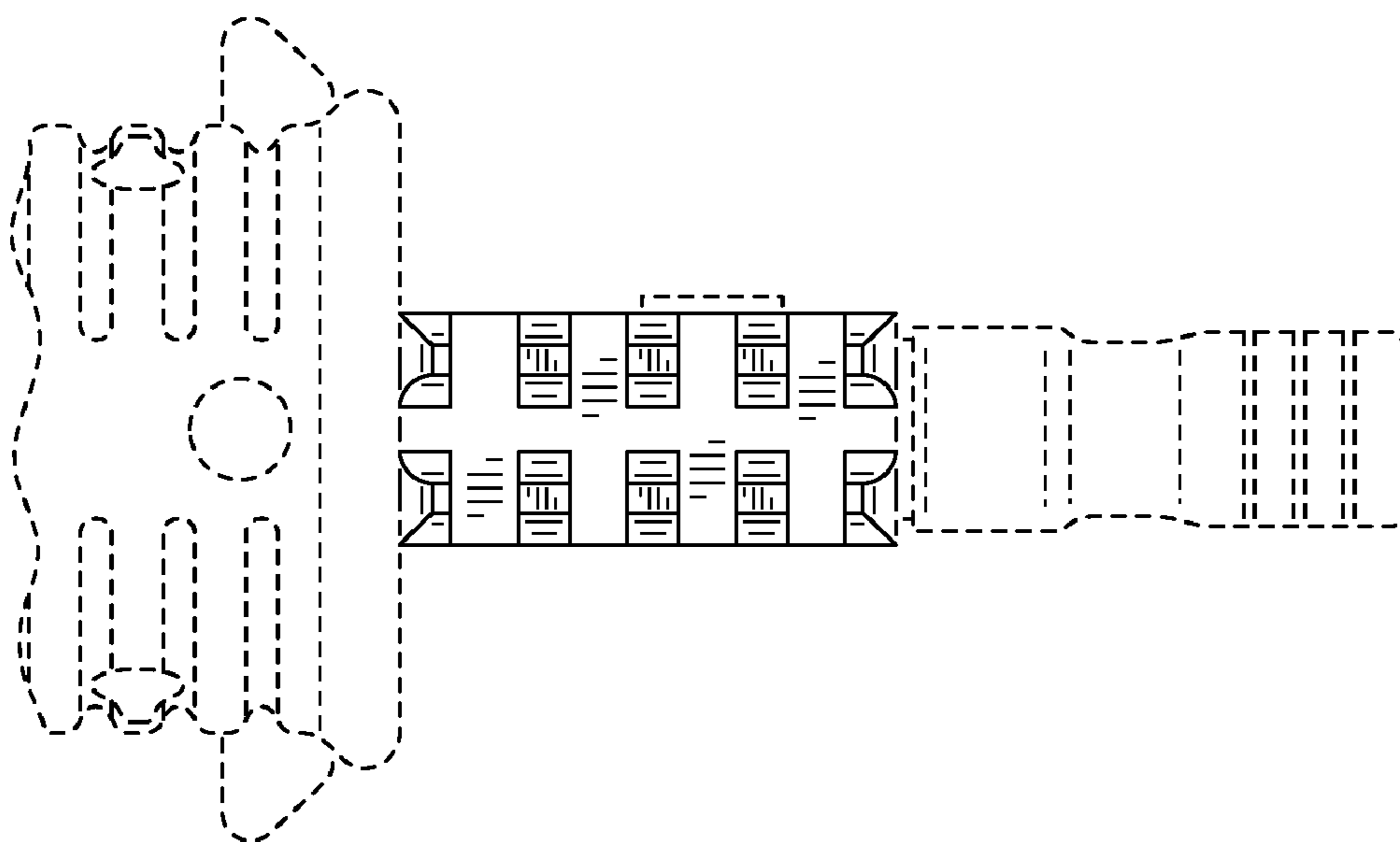


FIG. 6