



US00D636045S

(12) **United States Design Patent**  
**Larson et al.**

(10) **Patent No.:** **US D636,045 S**

(45) **Date of Patent:** **\*\* Apr. 12, 2011**

(54) **FIREARM**

(75) Inventors: **Mark Larson**, Colona, IL (US); **Lester Larson, Jr.**, Colona, IL (US)

(73) Assignee: **Rock River Arms, Inc.**, Colona, IL (US)

(\*\*) Term: **14 Years**

(21) Appl. No.: **29/361,183**

(22) Filed: **May 6, 2010**

(51) **LOC (9) Cl.** ..... **22-01**

(52) **U.S. Cl.** ..... **D22/108**

(58) **Field of Classification Search** ..... D22/100,  
D22/101, 103, 104, 108, 199; D21/572,  
D21/573; 42/51, 71.01, 75.01, 75.02, 90,  
42/94, 134, 136, 139, 125, 72, 111; 362/110;  
89/40.06, 41.19, 37.04, 33.04, 191.01, 200-204;  
124/67, 66, 72, 74

See application file for complete search history.

(56) **References Cited**

**U.S. PATENT DOCUMENTS**

4,536,982	A *	8/1985	Bredbury et al.	.....	42/71.01
4,733,489	A *	3/1988	Kurak	.....	42/77
5,448,940	A	9/1995	Schuetz et al.		
D486,547	S *	2/2004	Faifer	.....	D22/108
7,559,167	B1 *	7/2009	Moody et al.	.....	42/72

**OTHER PUBLICATIONS**

Rock River Arms, Inc., 2010 Retail Catalog, US.

\* cited by examiner

*Primary Examiner* — T. Chase Nelson

*Assistant Examiner* — Michael A Pratt

(74) *Attorney, Agent, or Firm* — Banner & Witcoff, Ltd.

(57) **CLAIM**

The ornamental design for a firearm, as shown and described.

**DESCRIPTION**

FIG. 1 is a top, front, left perspective view of a firearm showing our new design;

FIG. 2 is an enlarged fragmentary top, front, left perspective view thereof;

FIG. 3 is an enlarged fragmentary left view thereof;

FIG. 4 is an enlarged fragmentary right view thereof;

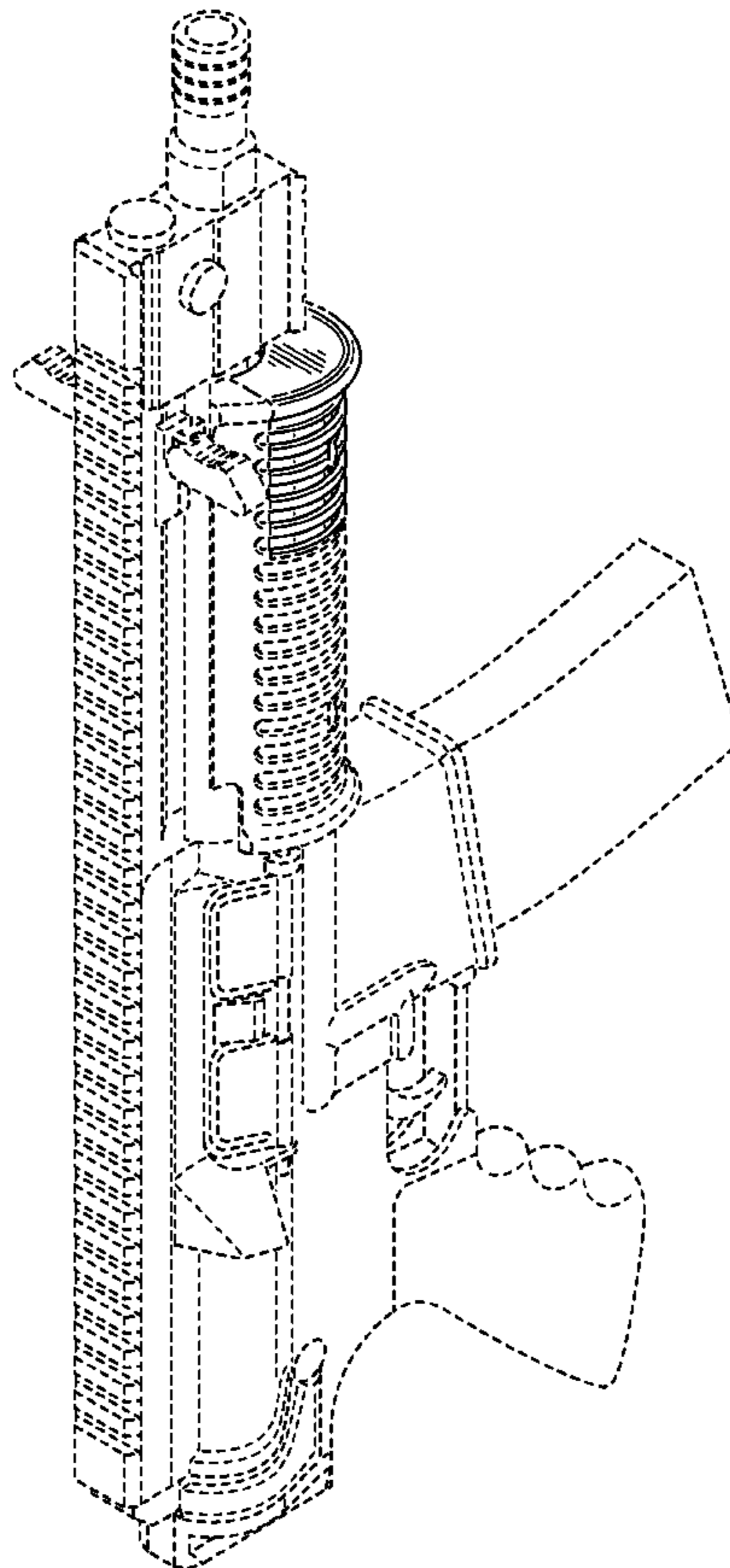
FIG. 5 is an enlarged fragmentary top view thereof;

FIG. 6 is an enlarged fragmentary bottom view thereof; and,

FIG. 7 is a fragmentary front view thereof.

The uneven-length broken lines immediately adjacent to the solid line disclosure represent the unclaimed boundaries of the claimed design. The even-length broken lines showing the remainder of the firearm are for illustrative purposes only and form no part of the claimed design.

**1 Claim, 6 Drawing Sheets**



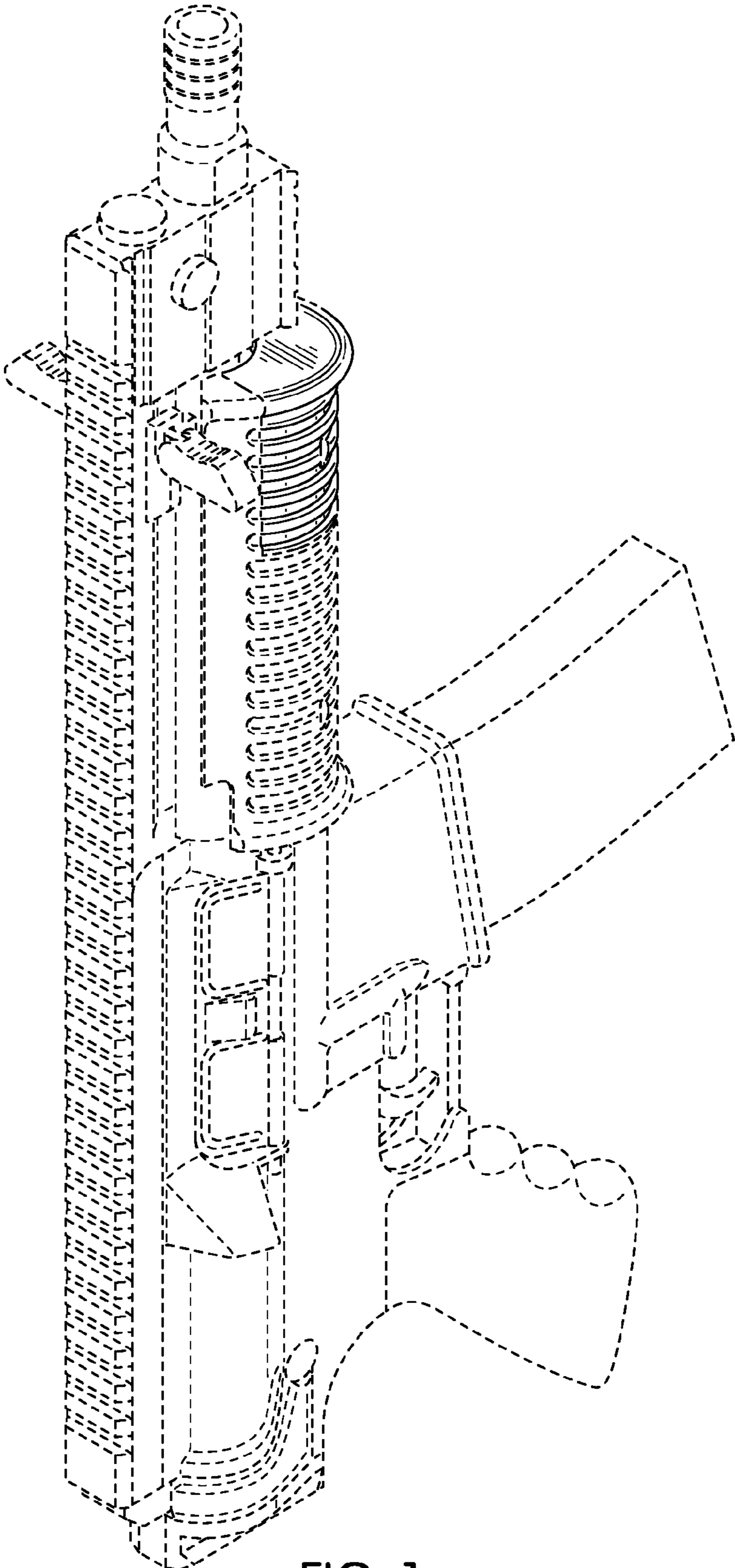


FIG. 1

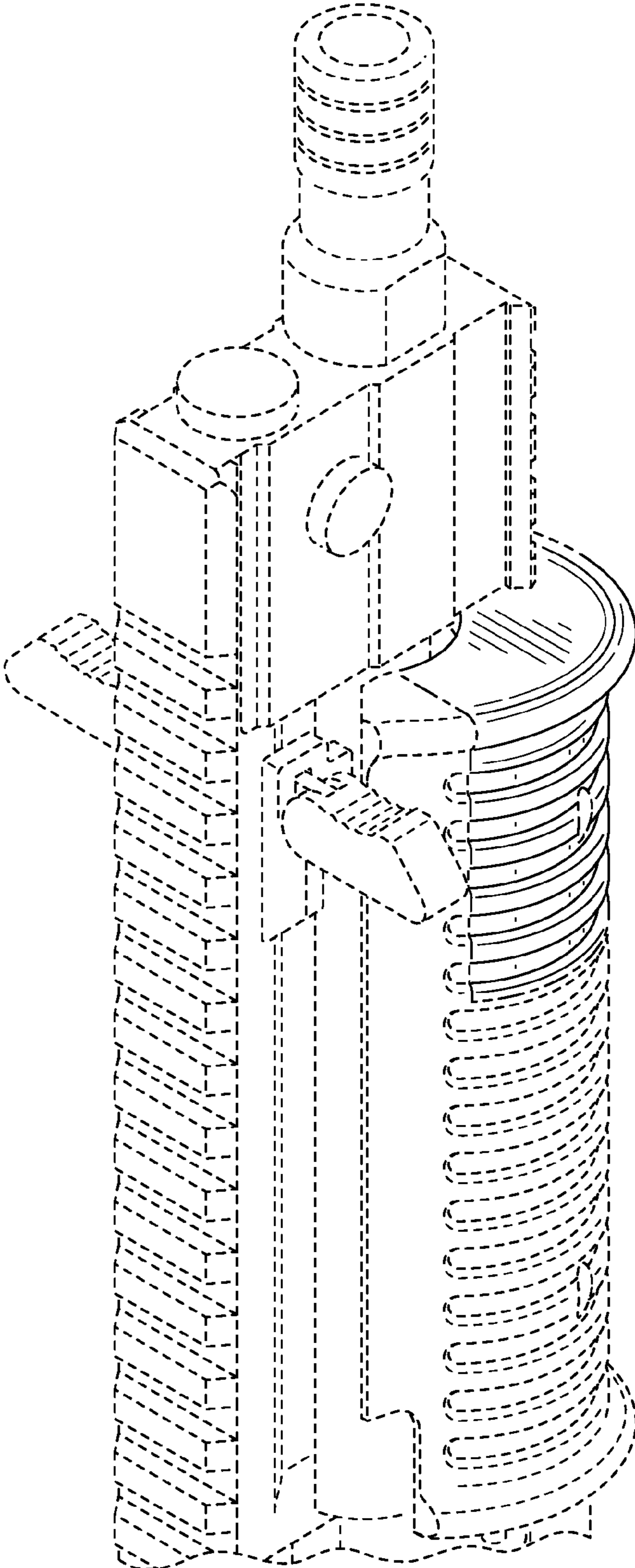


FIG. 2

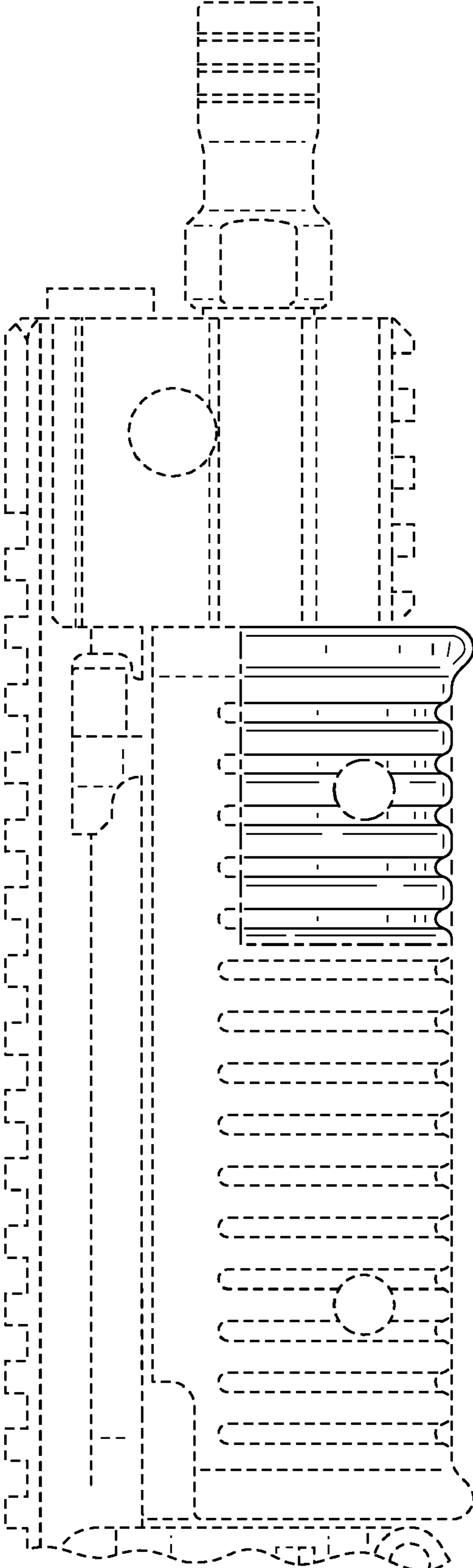


FIG. 3

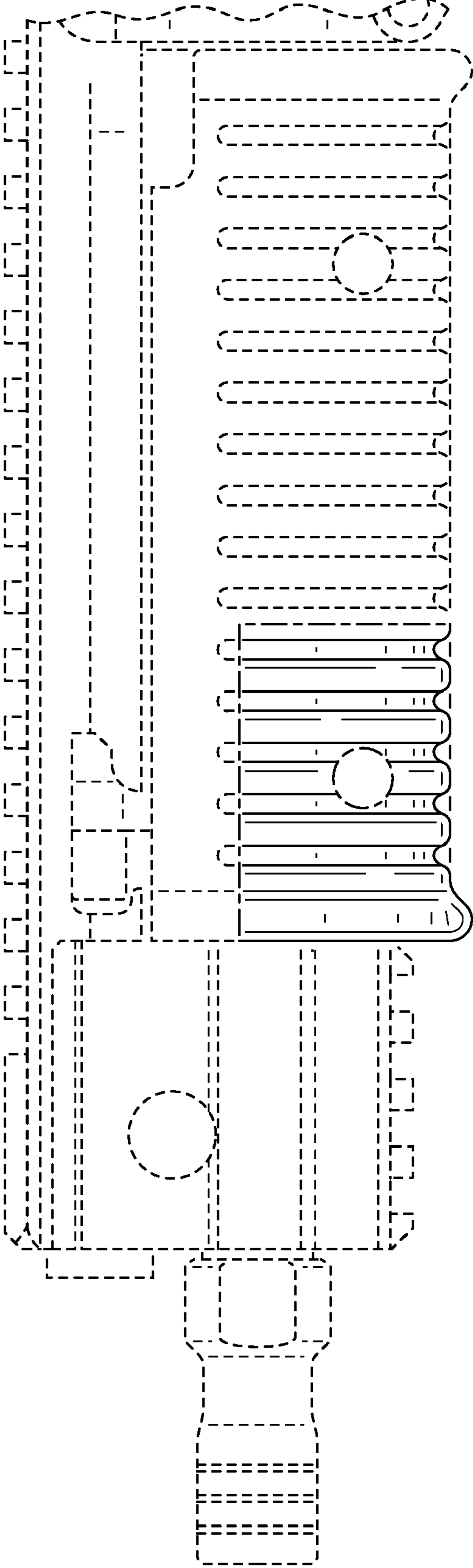


FIG. 4

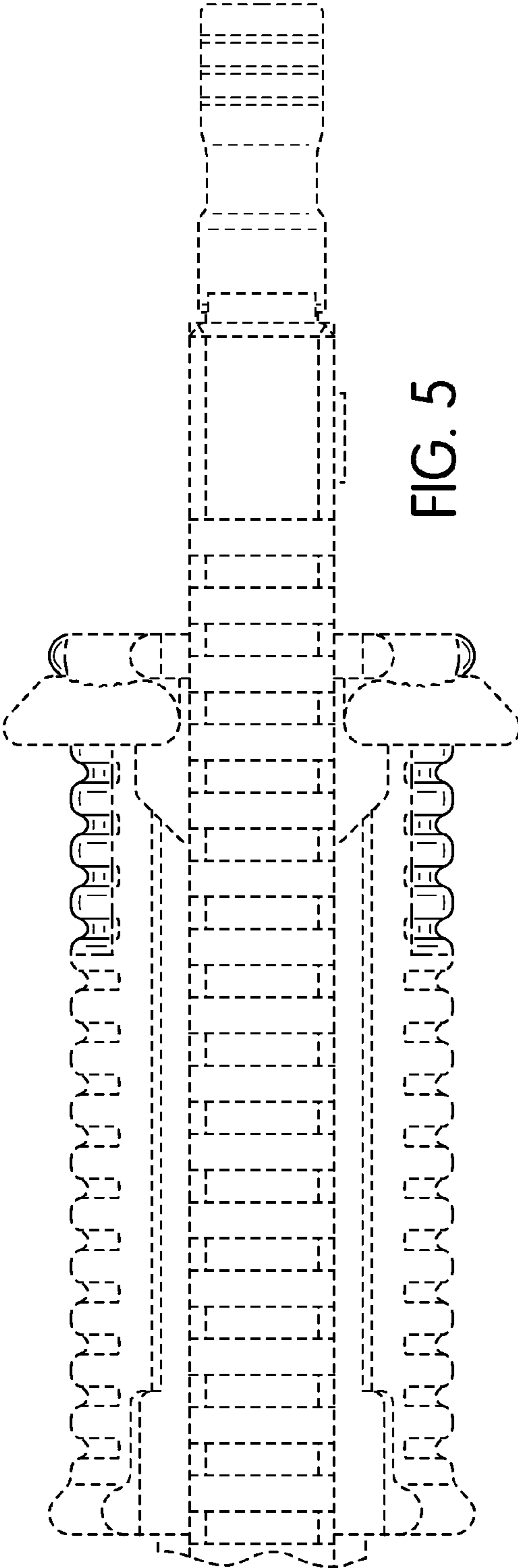


FIG. 5

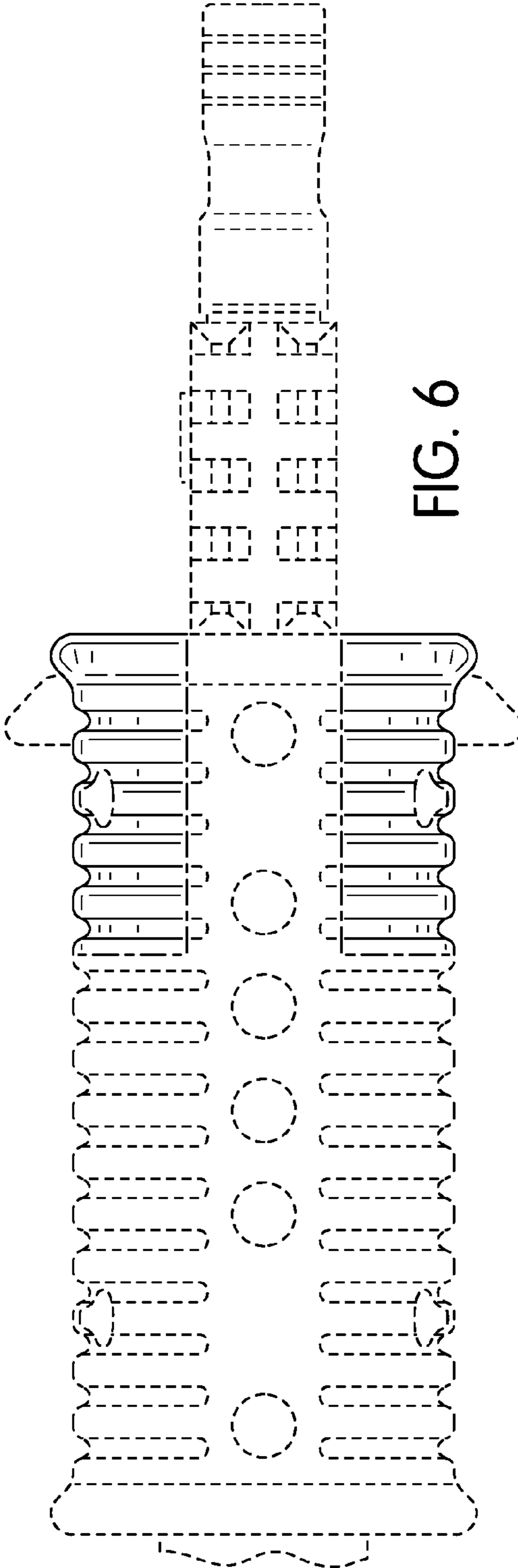


FIG. 6

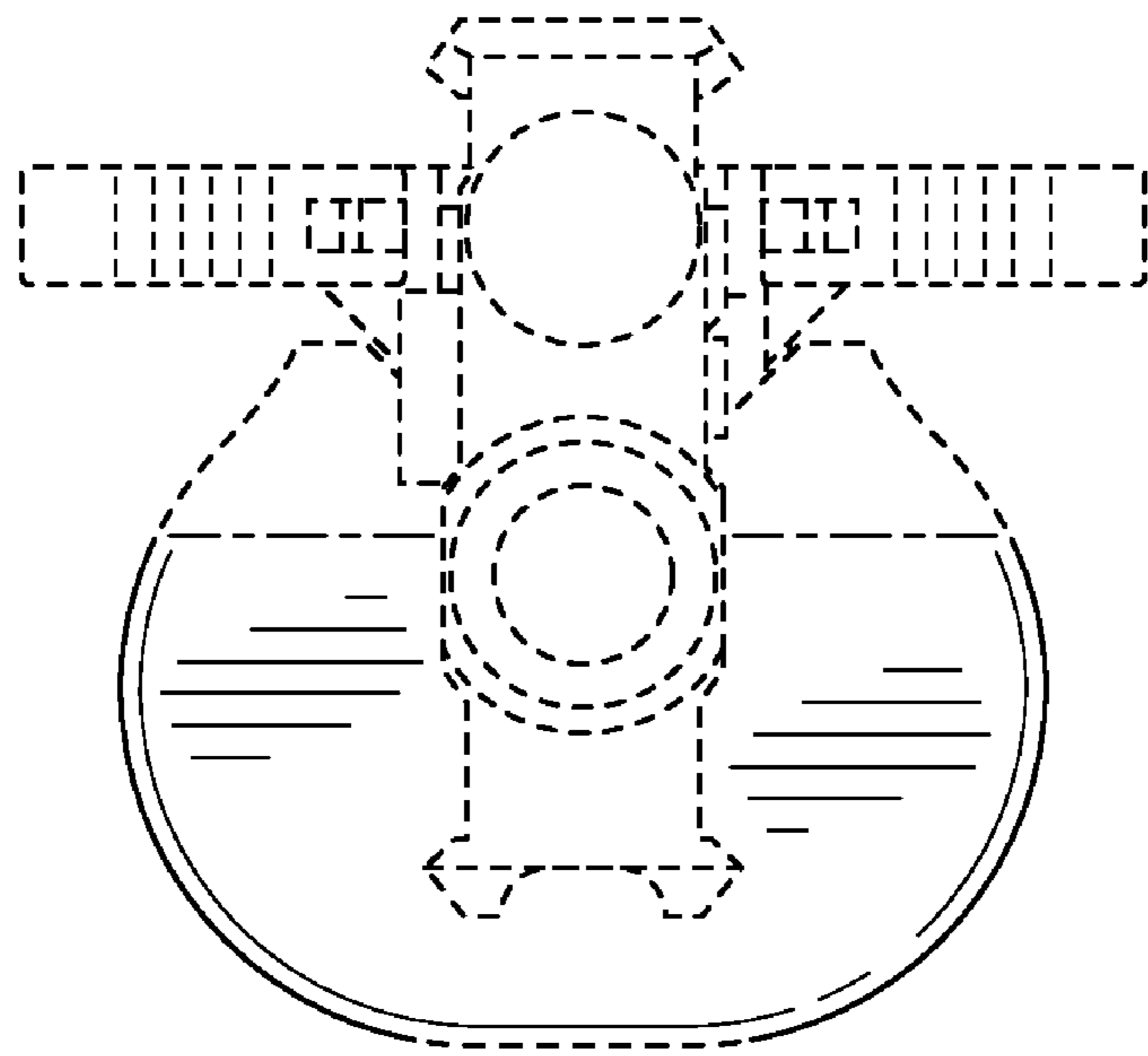


FIG. 7