



US00D636044S

(12) **United States Design Patent**
Larson et al.

(10) **Patent No.:** **US D636,044 S**
(45) **Date of Patent:** **** Apr. 12, 2011**

(54) **FIREARM**

(75) Inventors: **Mark Larson**, Colona, IL (US); **Lester Larson, Jr.**, Colona, IL (US)

(73) Assignee: **Rock River Arms, Inc.**, Colona, IL (US)

(**) Term: **14 Years**

(21) Appl. No.: **29/361,178**

(22) Filed: **May 6, 2010**

(51) **LOC (9) Cl.** **22-01**

(52) **U.S. Cl.** **D22/108**

(58) **Field of Classification Search** D22/100,
D22/101, 103, 104, 108, 199; D21/572,
D21/573; 42/51, 71.01, 75.01, 75.02, 90,
42/94, 134, 136, 139, 125, 72, 111; 362/110;
89/40.06, 41.19, 37.04, 33.04, 191.01, 200-204;
124/67, 66, 72, 74

See application file for complete search history.

(56) **References Cited**

U.S. PATENT DOCUMENTS

5,272,956 A * 12/1993 Hudson 89/128
5,448,940 A 9/1995 Schuetz et al.
D385,008 S * 10/1997 Lamont D22/104
6,725,594 B2 * 4/2004 Hines 42/90
2006/0048430 A1 * 3/2006 Crandall et al. 42/71.01

FOREIGN PATENT DOCUMENTS

EP 63100 A2 * 10/1982

OTHER PUBLICATIONS

Rock River Arms, Inc., 2010 Retail Catalog, US.

* cited by examiner

Primary Examiner — T. Chase Nelson

Assistant Examiner — Michael A Pratt

(74) *Attorney, Agent, or Firm* — Banner & Witcoff, Ltd.

(57) **CLAIM**

The ornamental design for a firearm, as shown and described.

DESCRIPTION

FIG. 1 is a top, rear, right perspective view of a firearm showing our new design;

FIG. 2 is an enlarged fragmentary top, rear, right perspective view thereof;

FIG. 3 is an enlarged fragmentary left view thereof;

FIG. 4 is an enlarged fragmentary right view thereof;

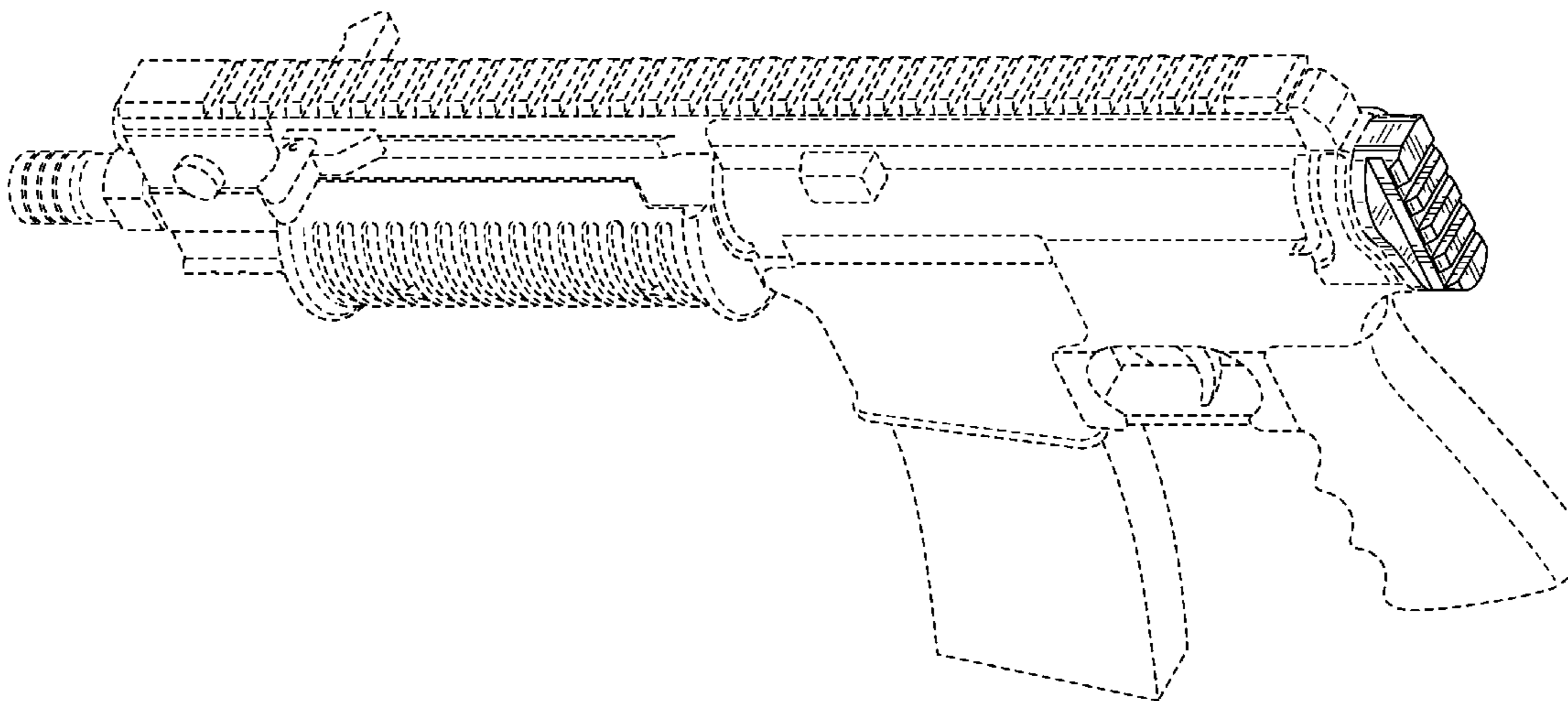
FIG. 5 is an enlarged fragmentary top view thereof;

FIG. 6 is an enlarged fragmentary bottom view thereof; and,

FIG. 7 is a fragmentary rear view thereof.

The uneven-length broken lines immediately adjacent to the solid line disclosure represent the unclaimed boundaries of the claimed design. The even-length broken lines showing the remainder of the firearm are for illustrative purposes only and form no part of the claimed design.

1 Claim, 3 Drawing Sheets



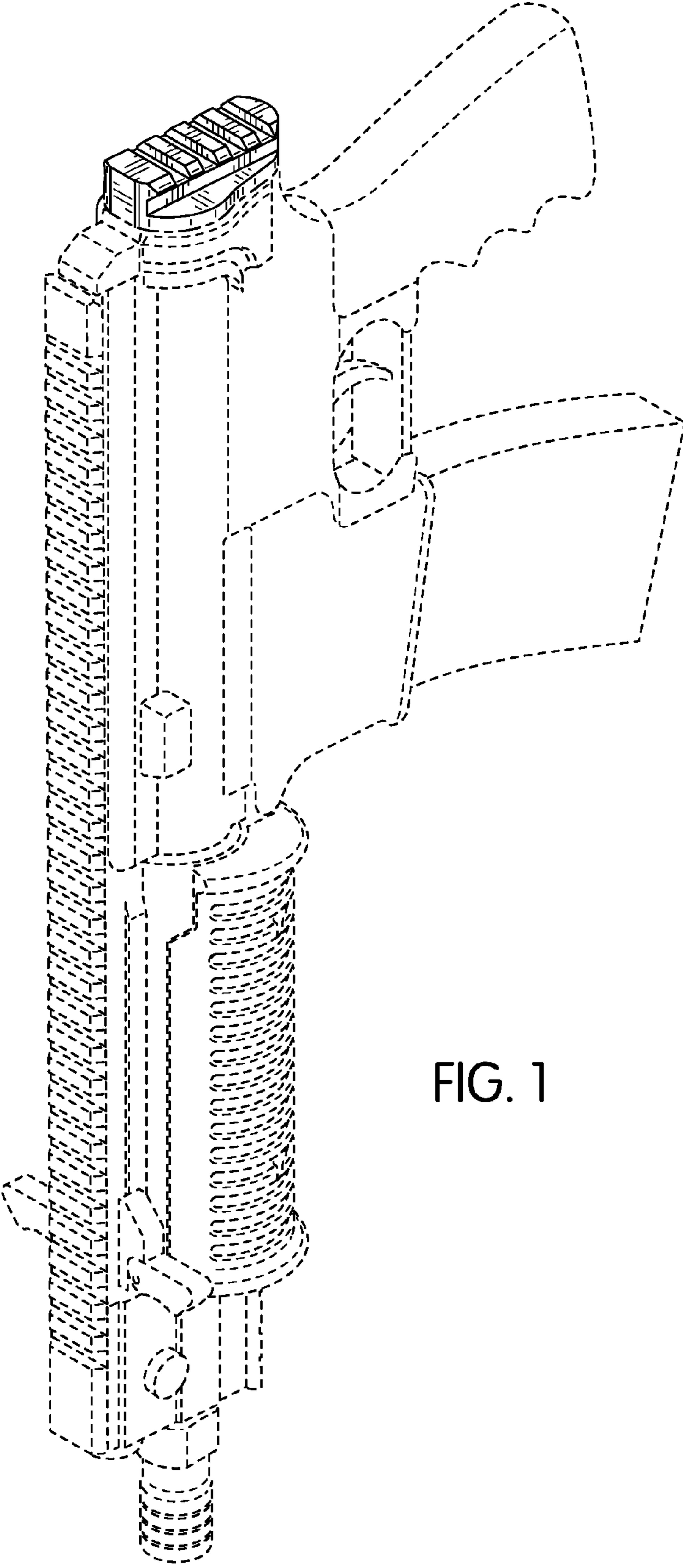


FIG. 1

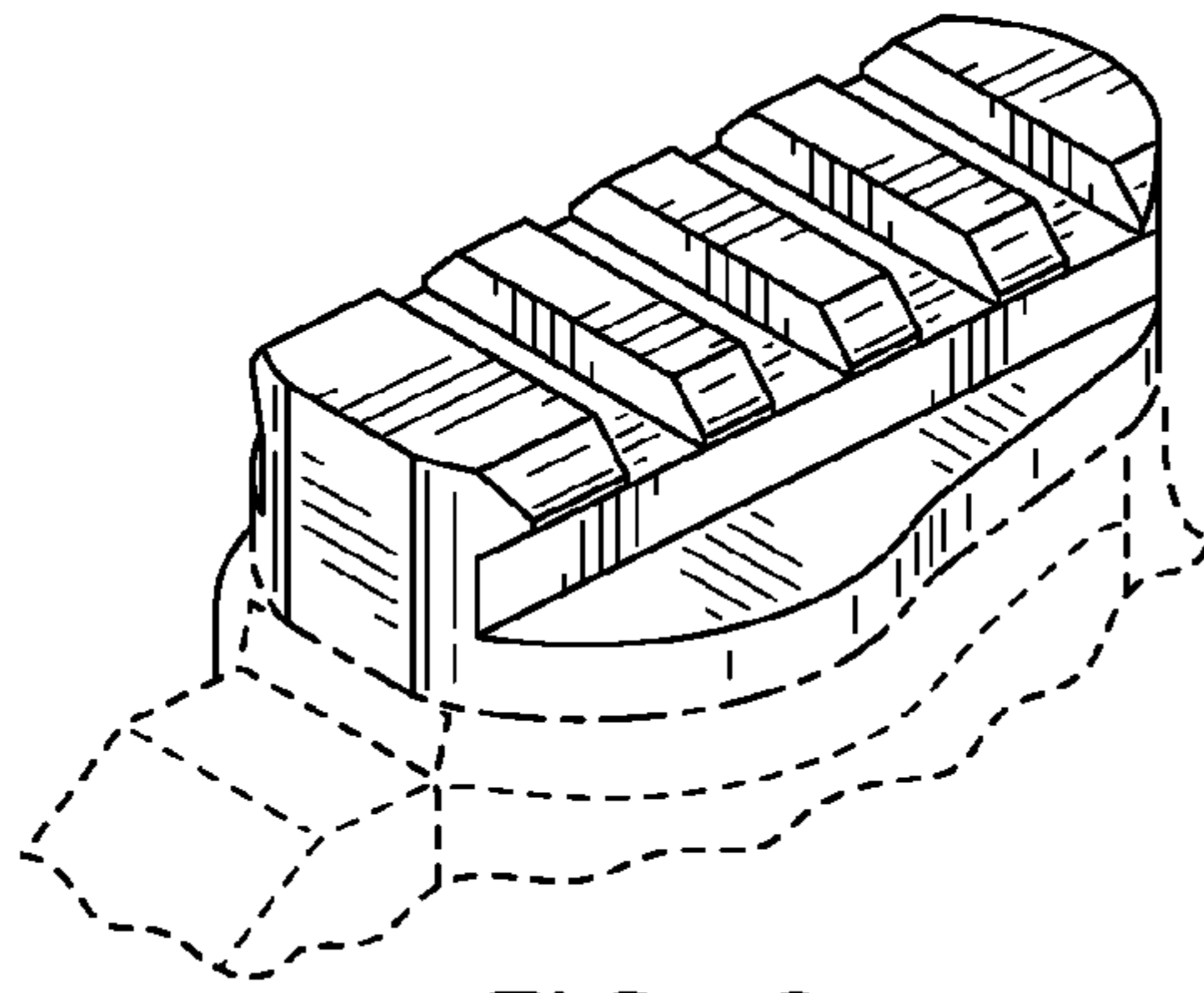


FIG. 2

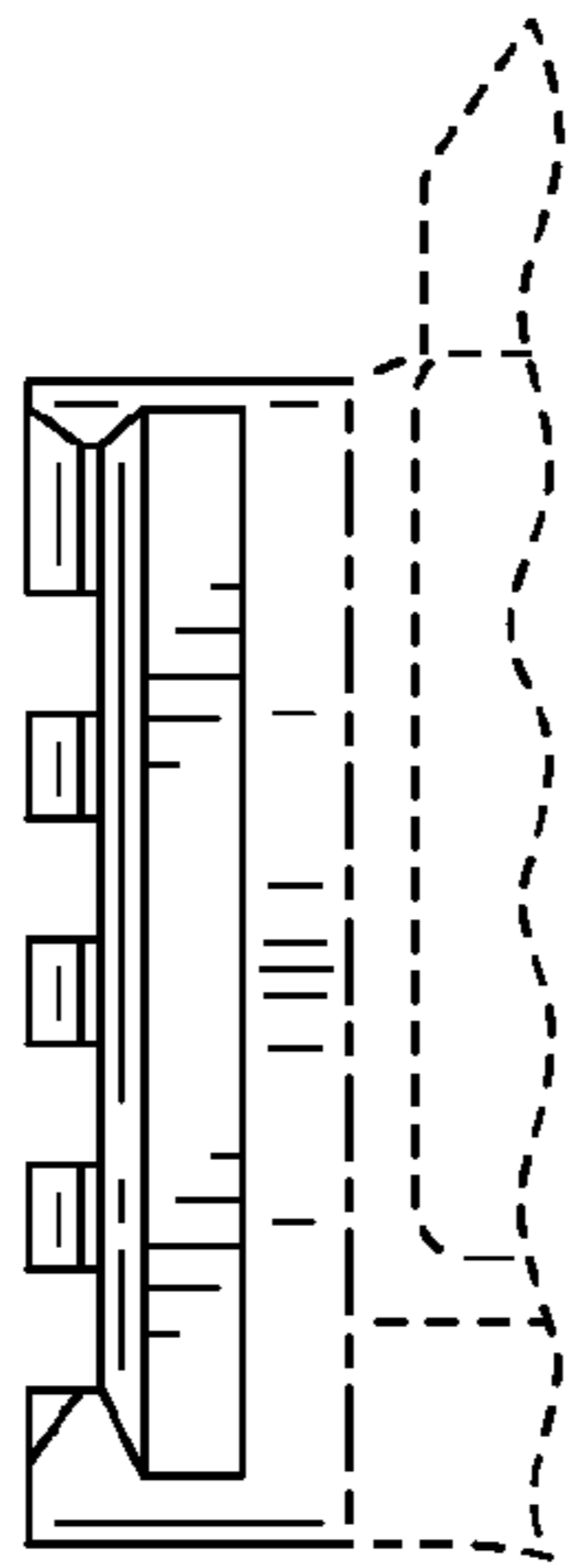


FIG. 3

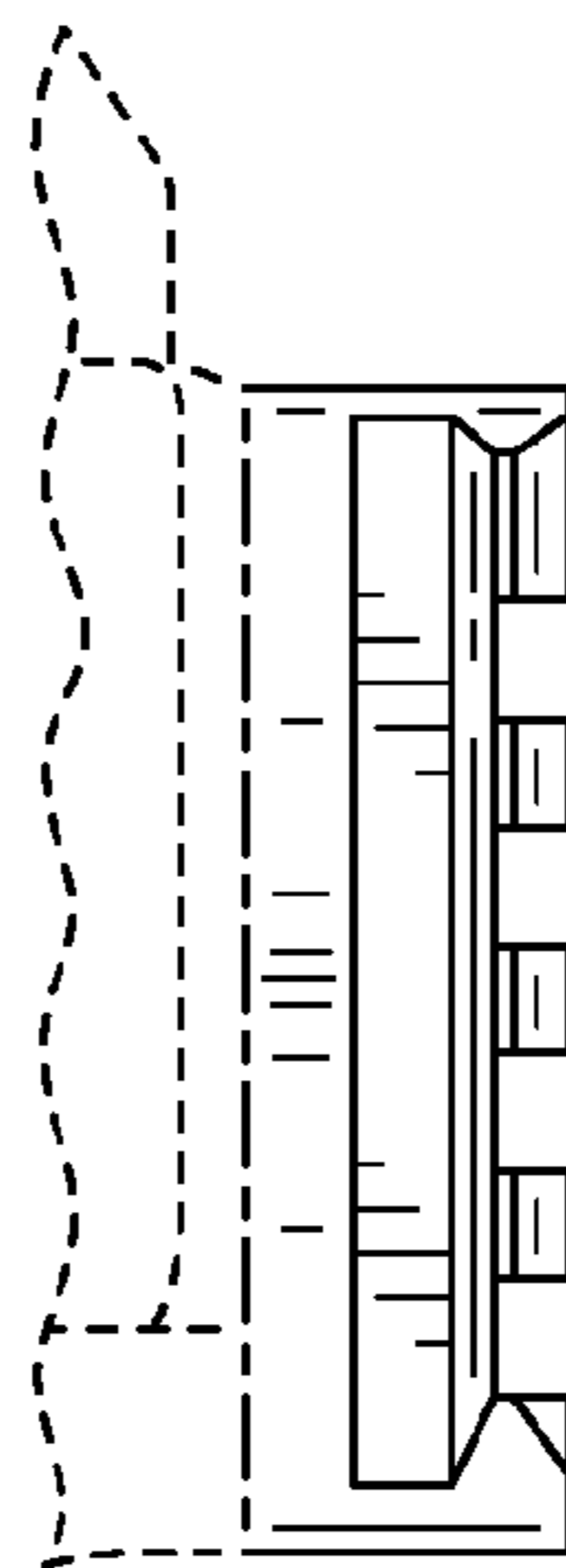


FIG. 4

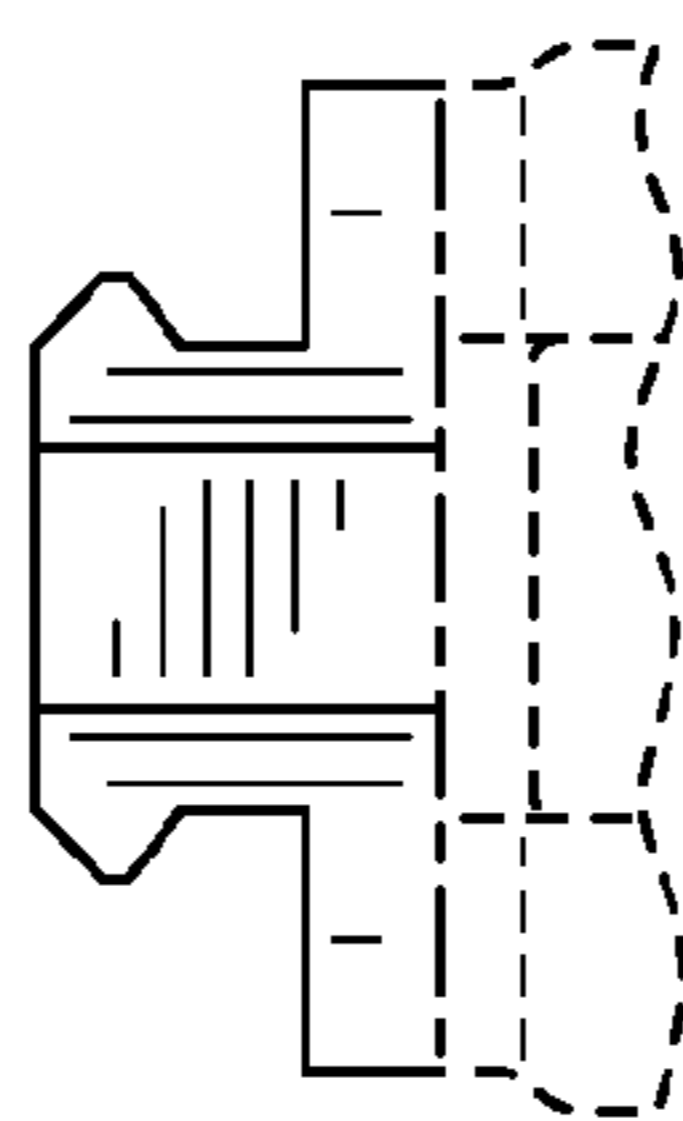


FIG. 5

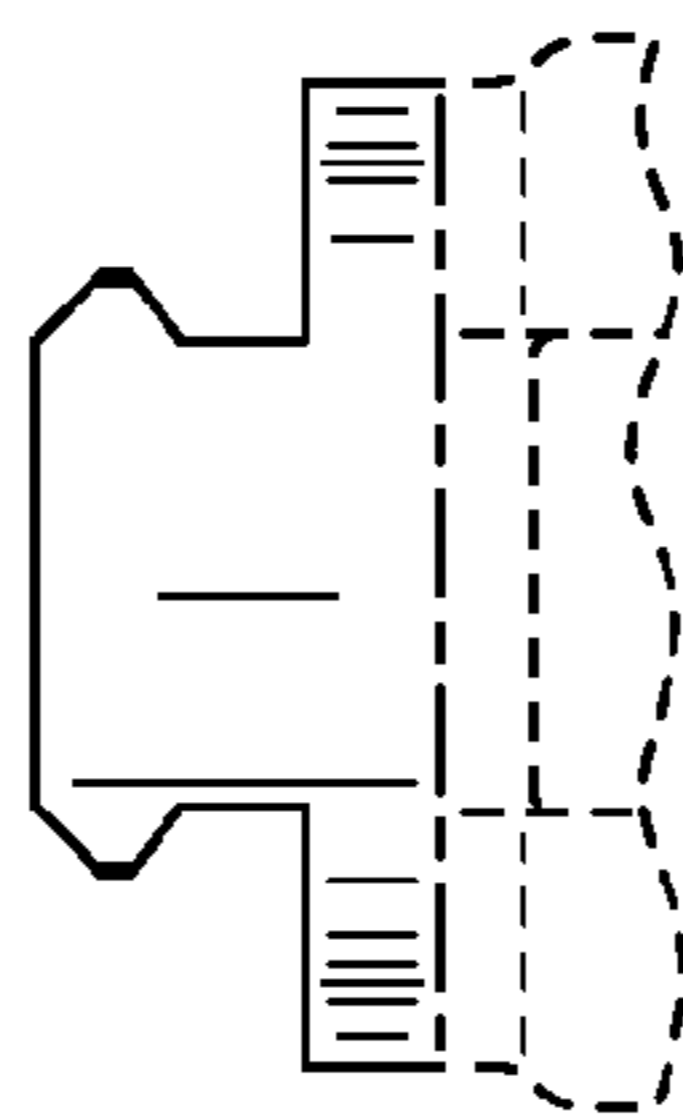


FIG. 6

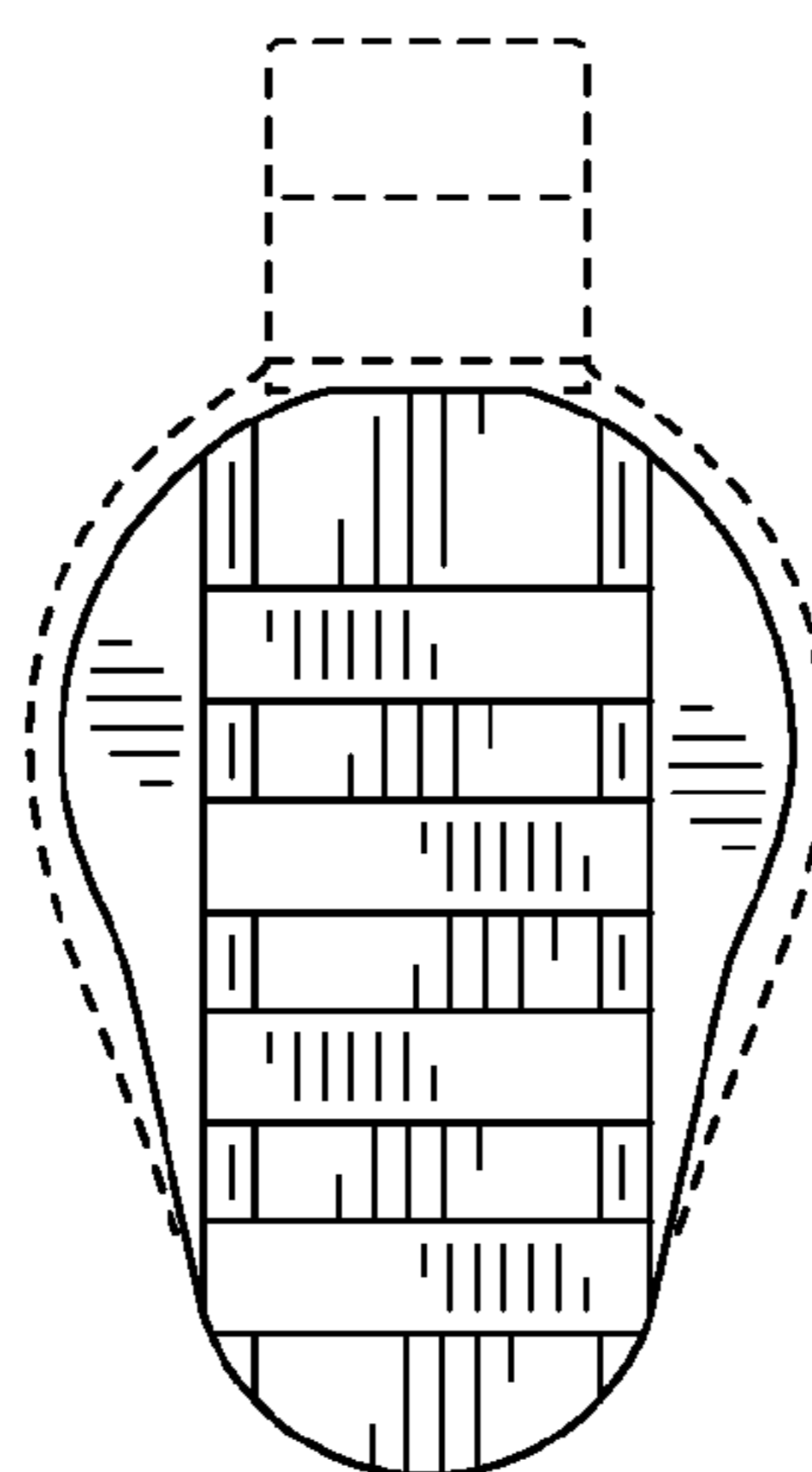


FIG. 7