



US00D636043S

(12) **United States Design Patent**
Olsen et al.

(10) **Patent No.:** **US D636,043 S**

(45) **Date of Patent:** **** Apr. 12, 2011**

(54) **CHARGING MECHANISM FOR AUTOMATIC RIFLES**

(76) Inventors: **Greg Olsen**, San Diego, CA (US);
Omar Macy, San Diego, CA (US)

(**) Term: **14 Years**

(21) Appl. No.: **29/354,708**

(22) Filed: **Jan. 27, 2010**

(51) **LOC (9) Cl.** **22-01**

(52) **U.S. Cl.** **D22/108**

(58) **Field of Classification Search** D22/100,
D22/101, 103, 104, 108, 199; D21/572,
D21/573; 42/51, 71.01, 75.01, 75.02, 90,
42/94, 134, 136, 139, 125, 72, 111; 362/110;
33/241, 277; 313/105 R; 89/40.06, 41.19,
89/37.04, 33.04, 191.01, 200-204; 124/67,
124/66, 74

See application file for complete search history.

(56) **References Cited**

U.S. PATENT DOCUMENTS

7,231,861	B1 *	6/2007	Gauny et al.	89/1.4
7,753,679	B1 *	7/2010	Schuetz	434/16
7,798,045	B1 *	9/2010	Fitzpatrick et al.	89/1.4
2010/0236395	A1 *	9/2010	Akhavan	89/179

* cited by examiner

Primary Examiner — T. Chase Nelson

Assistant Examiner — Michael A Pratt

(74) *Attorney, Agent, or Firm* — QuickPatents, Inc.; Kevin Prince

(57) **CLAIM**

What is claimed is the ornamental design for a charging mechanism for automatic rifles, as shown and described.

DESCRIPTION

FIG. 1 is a perspective view of a charging mechanism for automatic rifles, showing the new design;

FIG. 2 is a rear elevational view thereof, the related component being shown moved vertically for the ease of illustration and depiction of the rear view of the charging mechanism for automatic rifles;

FIG. 3 is a front elevational view thereof, the related adjacent component being shown moved vertically for the ease of illustration and depiction of the charging mechanism for automatic rifles;

FIG. 4 is a top plan view thereof;

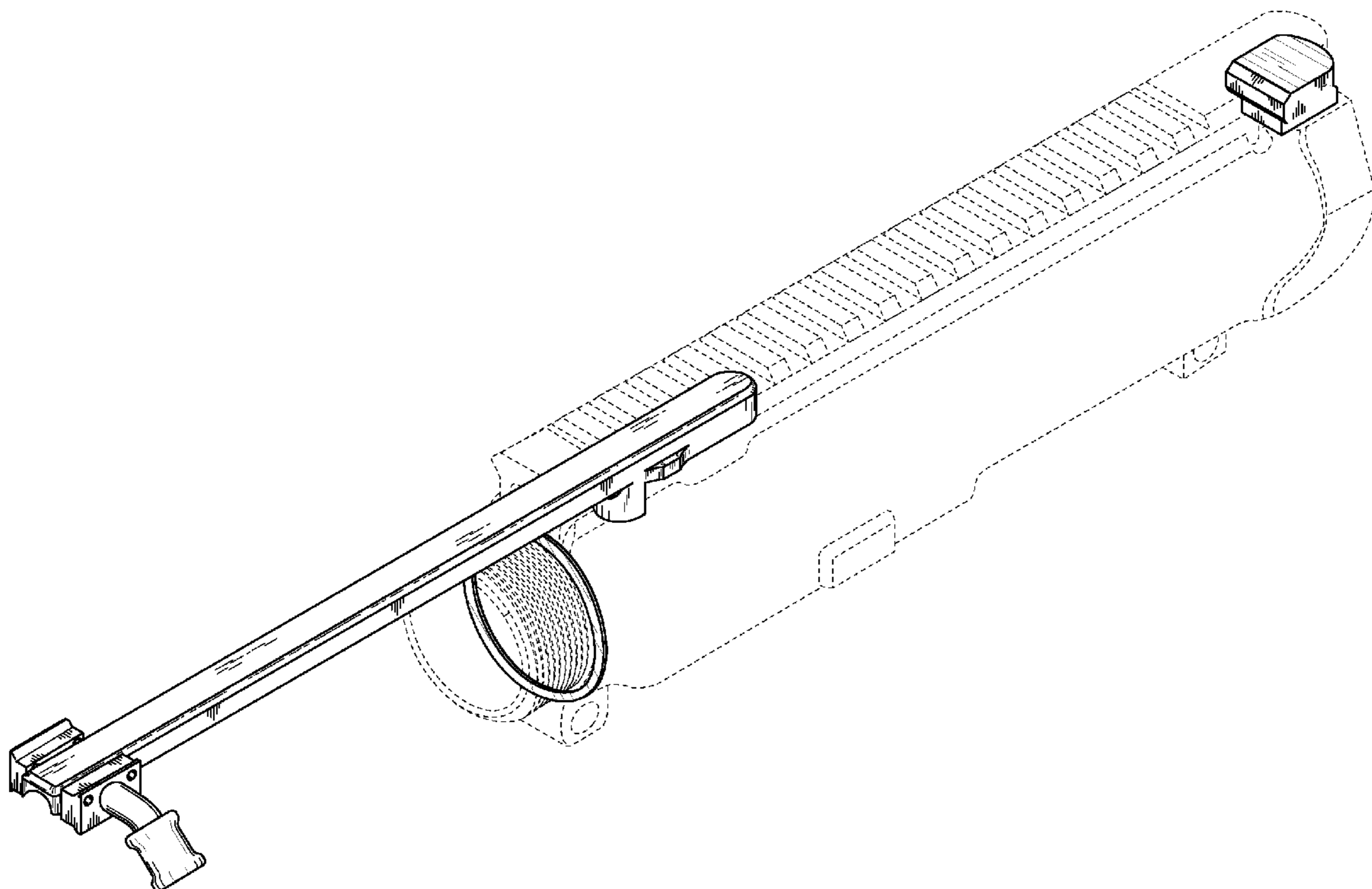
FIG. 5 is a bottom plan view thereof;

FIG. 6 is a left-side elevational view thereof; with the true relationship of the disconnected components being shown; and,

FIG. 7 is a right-side elevational view thereof, with the true relationship of the disconnected components being shown.

The broken lines showing a portion of an automatic rifle in FIG. 1 are included for the purpose of illustrating the invention in use, and form no part of the claimed design.

1 Claim, 4 Drawing Sheets



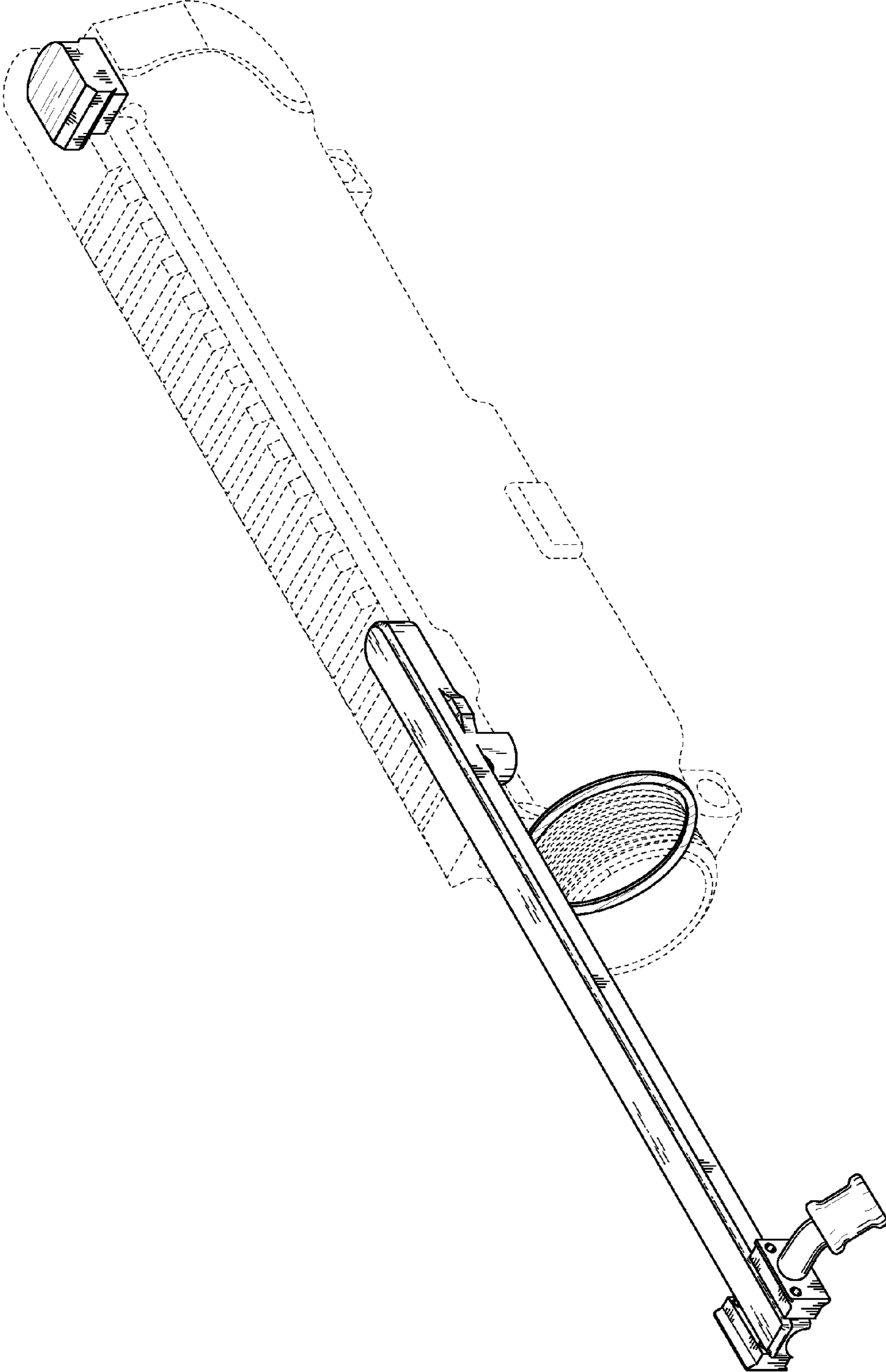


FIG. 1

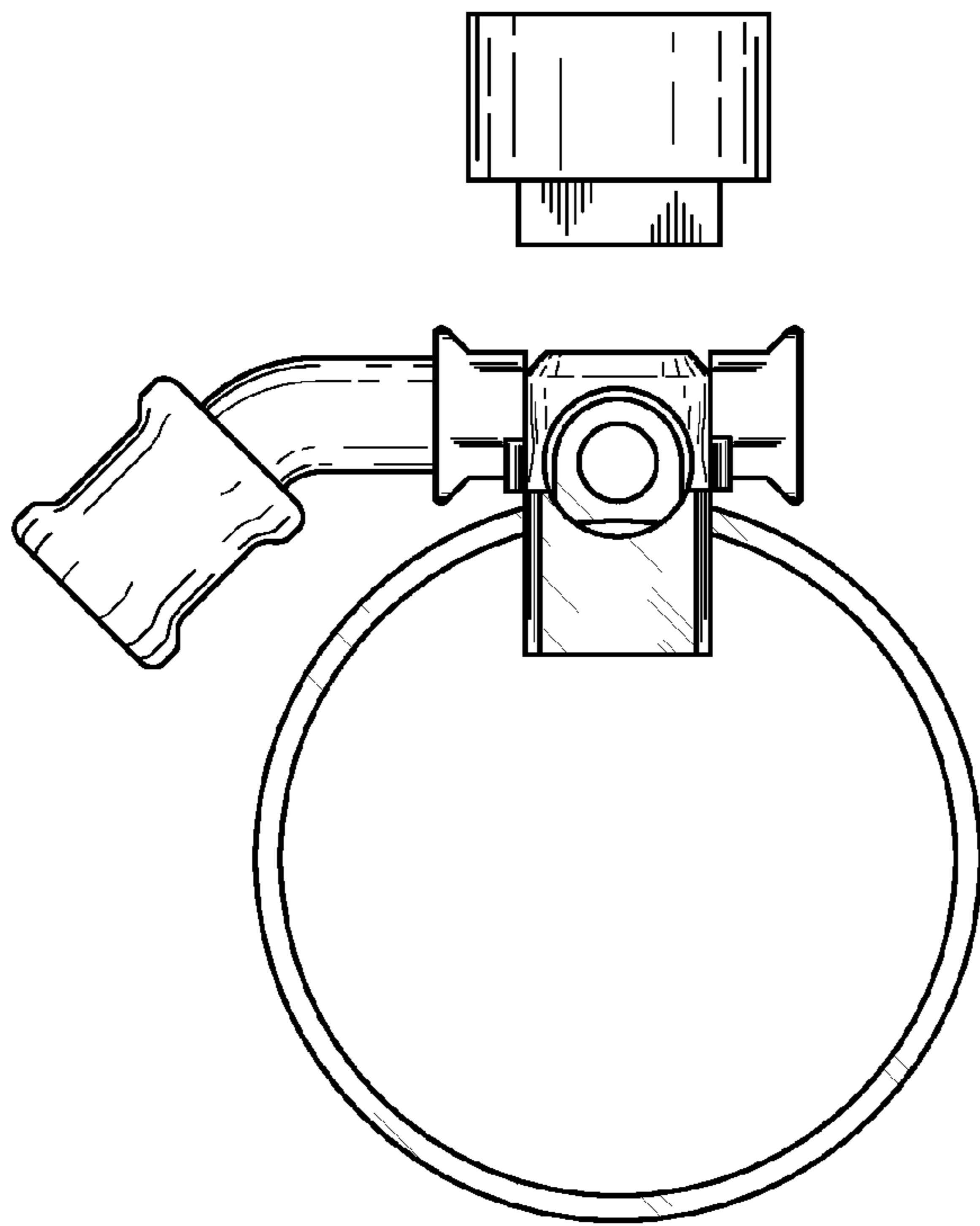


FIG. 2

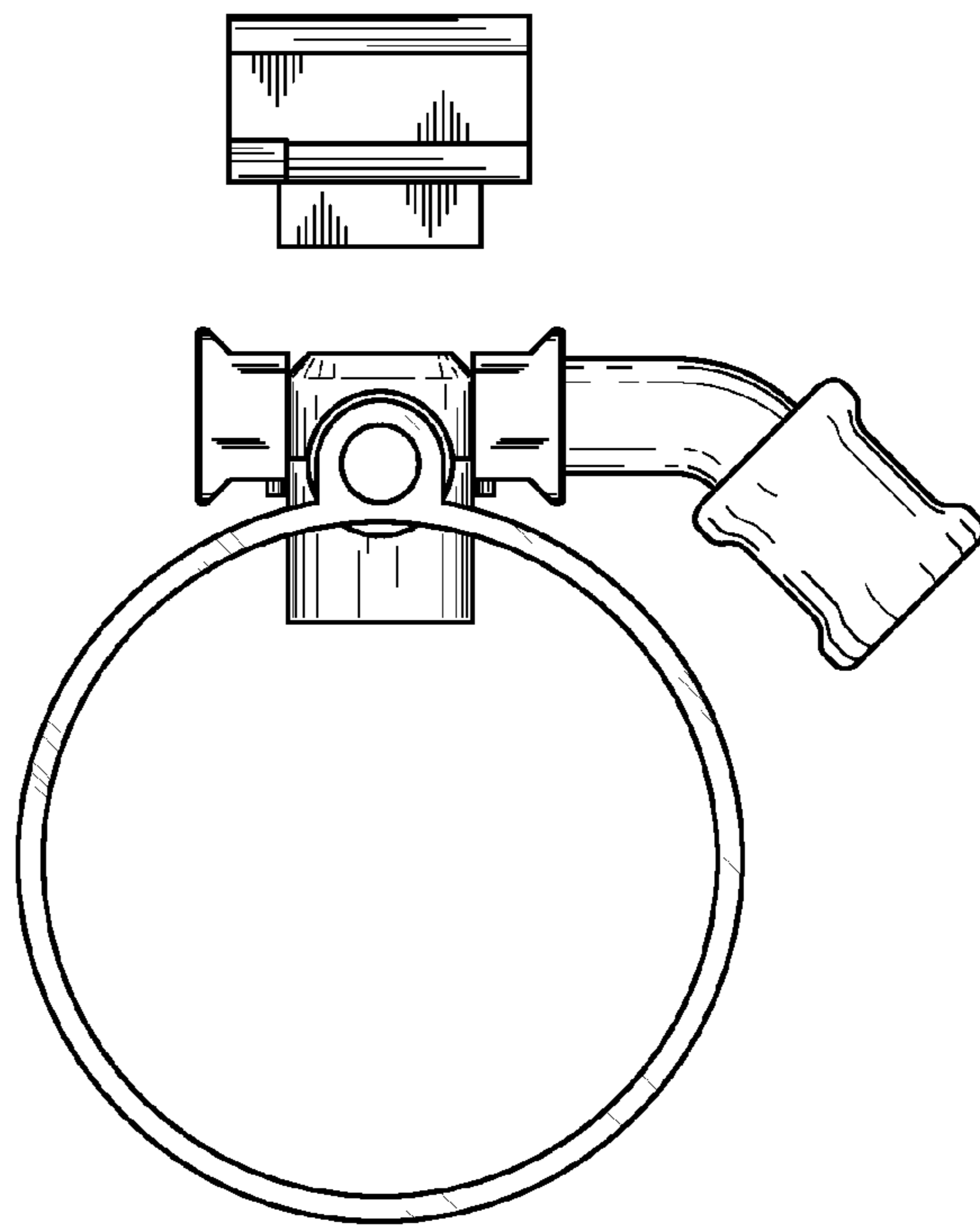


FIG. 3

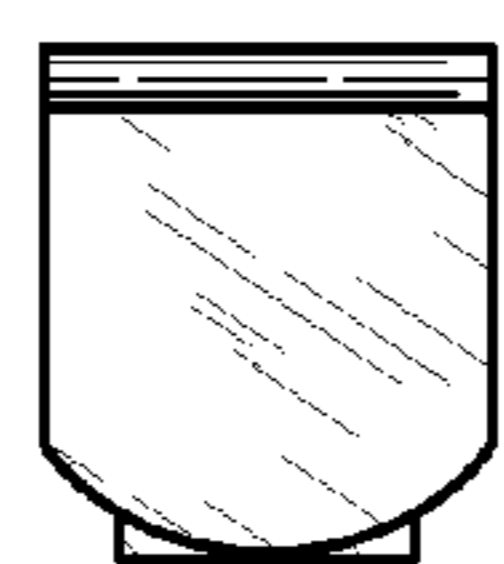
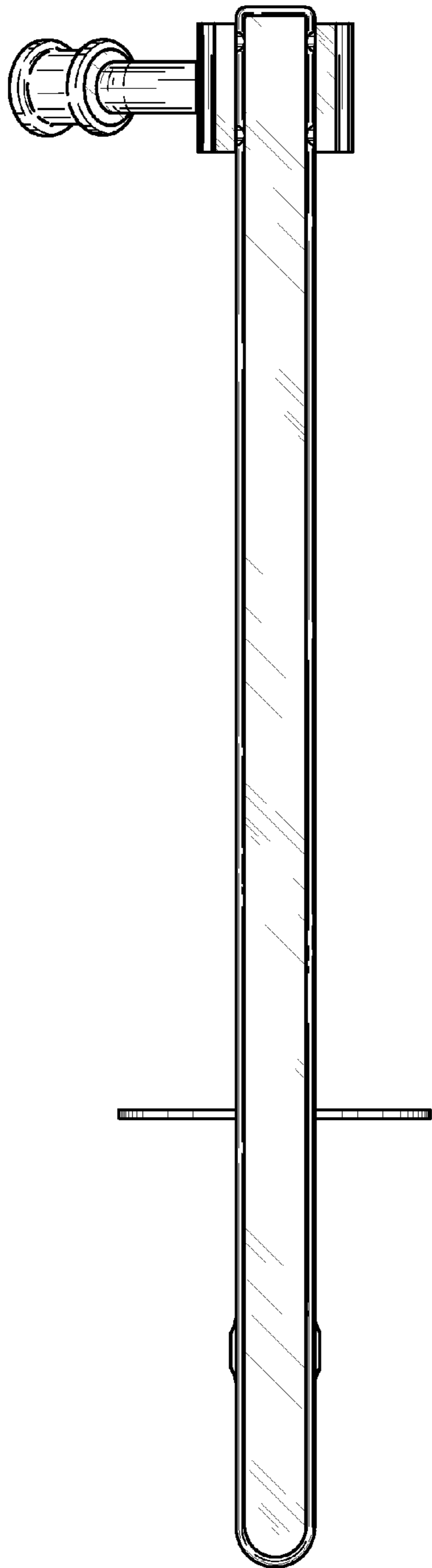


FIG. 4

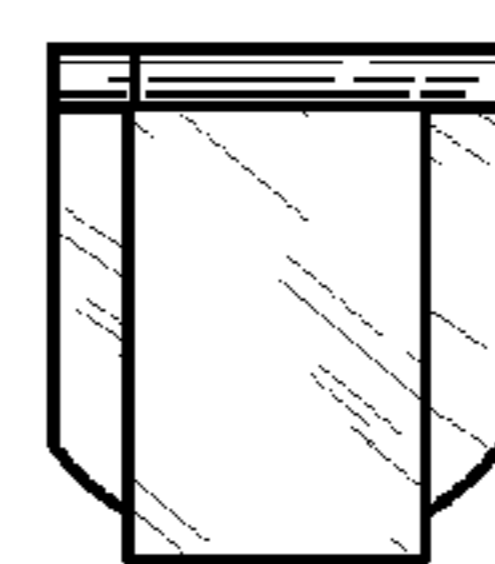
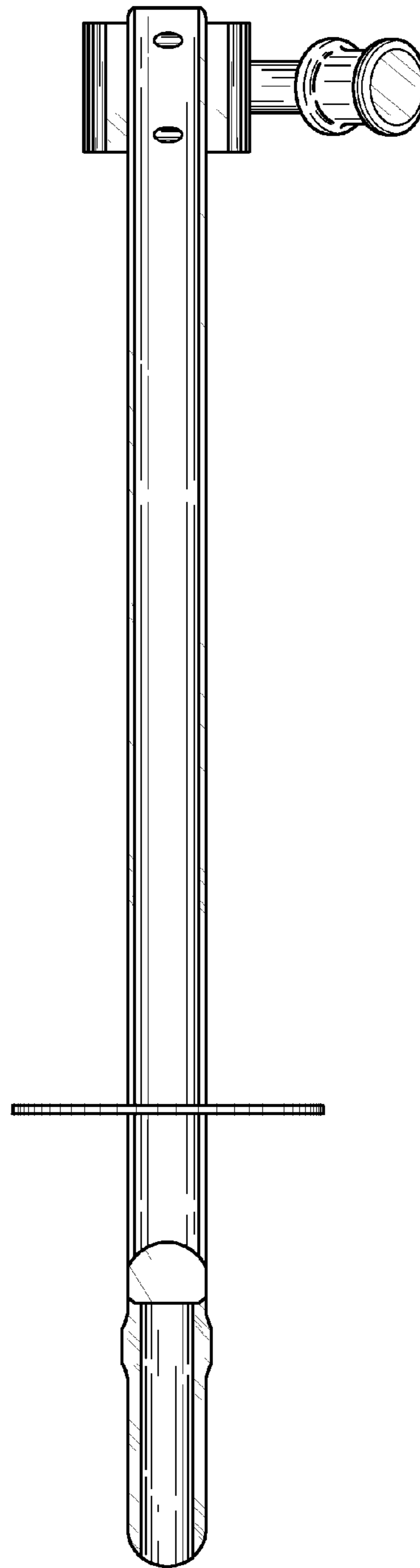


FIG. 5

