



US00D636042S

(12) **United States Design Patent**  
**Campitelli**

(10) **Patent No.:** **US D636,042 S**

(45) **Date of Patent:** **\*\* Apr. 12, 2011**

(54) **GOLF SWING EXERCISE DEVICE**

(76) Inventor: **Frank A. Campitelli**, Medina, OH (US)

(\*\*) Term: **14 Years**

(21) Appl. No.: **29/354,110**

(22) Filed: **Jan. 19, 2010**

(51) **LOC (9) Cl.** ..... **21-02**

(52) **U.S. Cl.** ..... **D21/789**

(58) **Field of Classification Search** ..... D21/789,  
D21/791, 662, 673; 473/219, 224, 229, 258,  
473/409, 266, 257, 218, 270, 273; 482/130  
See application file for complete search history.

5,538,251 A \* 7/1996 Harper ..... 473/229  
D387,835 S \* 12/1997 Abram et al. .... D21/791  
6,196,933 B1 \* 3/2001 Hope et al. .... 473/224  
7,585,228 B2 \* 9/2009 McFarlin et al. .... 473/258

\* cited by examiner

*Primary Examiner* — Mitchell I Siegel

(74) *Attorney, Agent, or Firm* — QuickPatents, Inc.; Kevin Prince

(57) **CLAIM**

What is claimed is the ornamental design for a golf swing exercise device, as shown and described.

**DESCRIPTION**

FIG. 1 is a perspective view of a golf swing exercise device, showing the new design;

FIG. 2 is a front elevational view thereof;

FIG. 3 is a rear elevational view thereof;

FIG. 4 is a right-side elevational view thereof;

FIG. 5 is a left-side elevational view thereof;

FIG. 6 is a top plan view thereof; and,

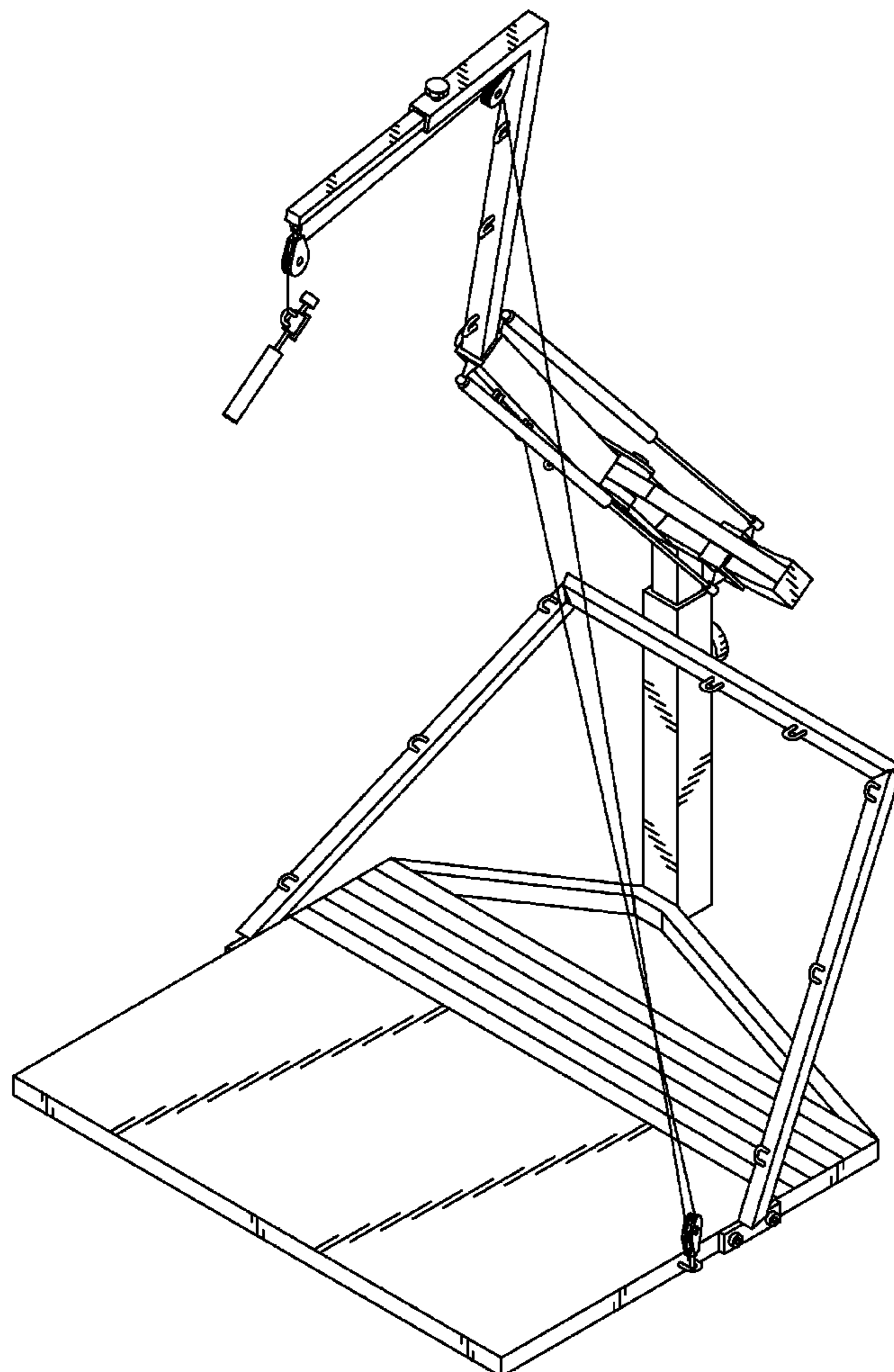
FIG. 7 is a bottom plan view thereof.

(56) **References Cited**

**U.S. PATENT DOCUMENTS**

3,604,712 A \* 9/1971 Prior et al. .... 473/229  
4,261,573 A \* 4/1981 Richards ..... 473/229  
5,050,874 A \* 9/1991 Fitch ..... 482/130  
5,139,264 A \* 8/1992 Wootten ..... 473/229  
5,156,402 A \* 10/1992 Hart ..... 473/229  
5,188,367 A \* 2/1993 Gipe et al. .... 473/229  
5,265,876 A \* 11/1993 Moon ..... 473/224

**1 Claim, 7 Drawing Sheets**



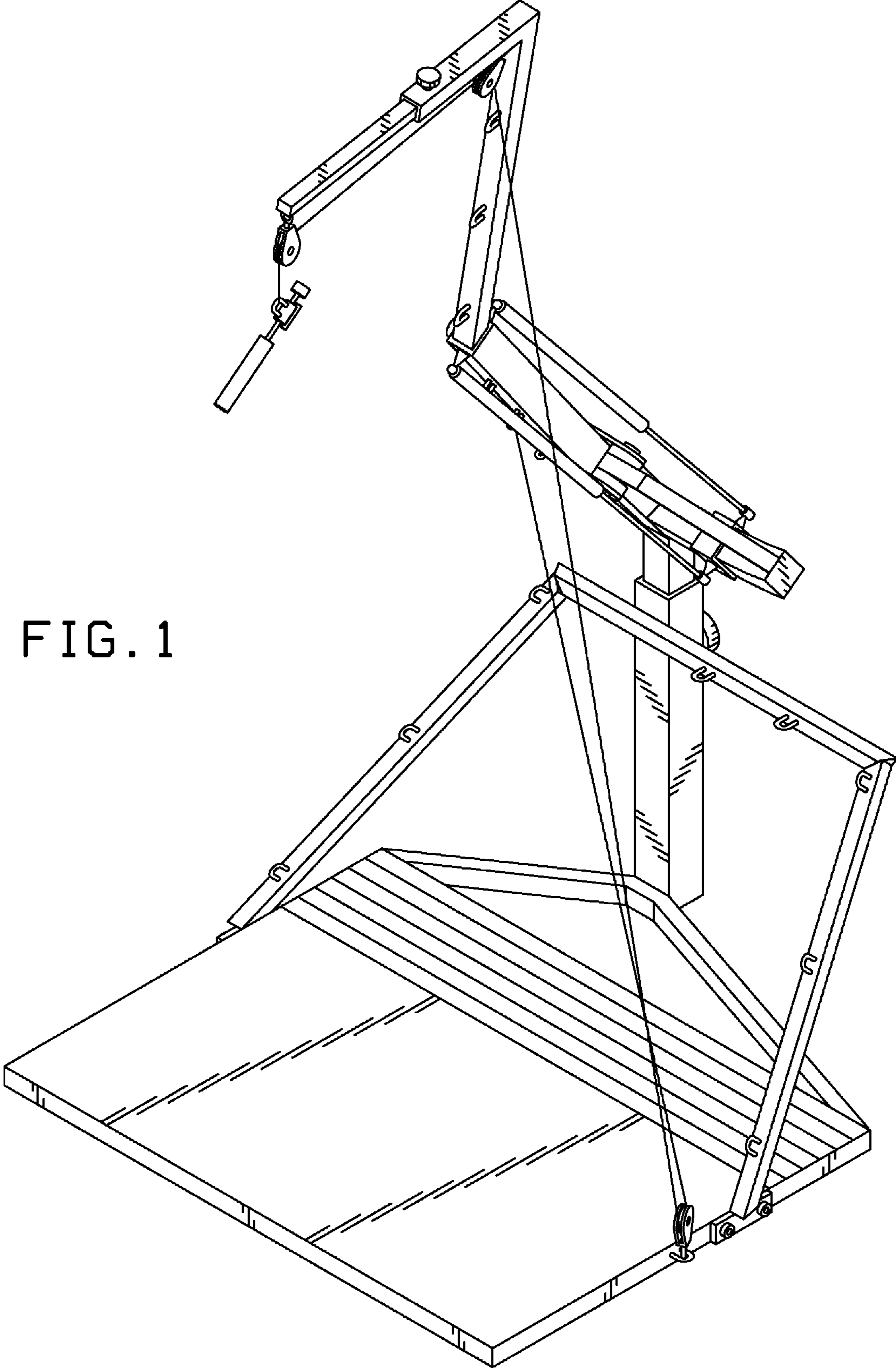
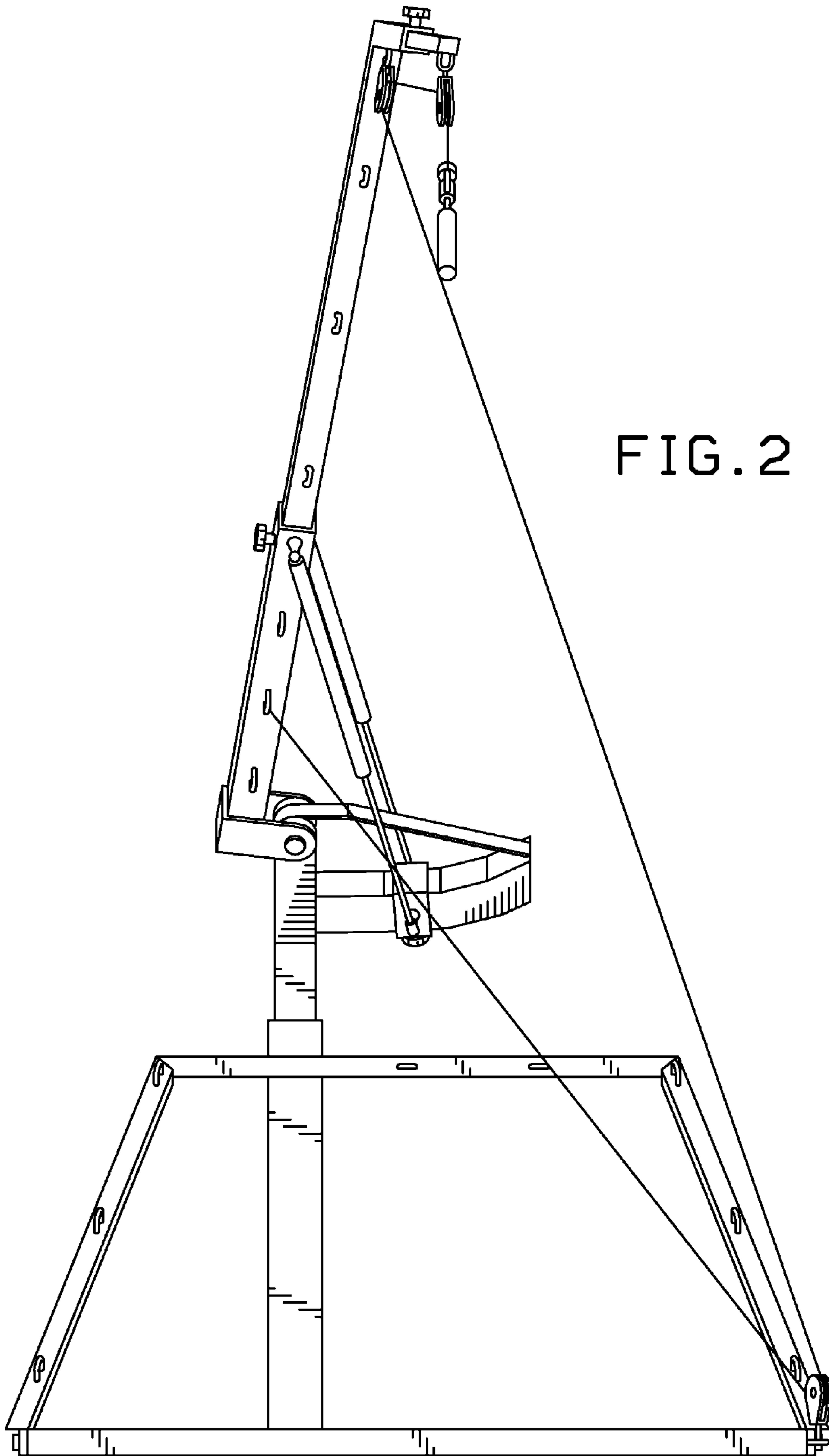


FIG. 1



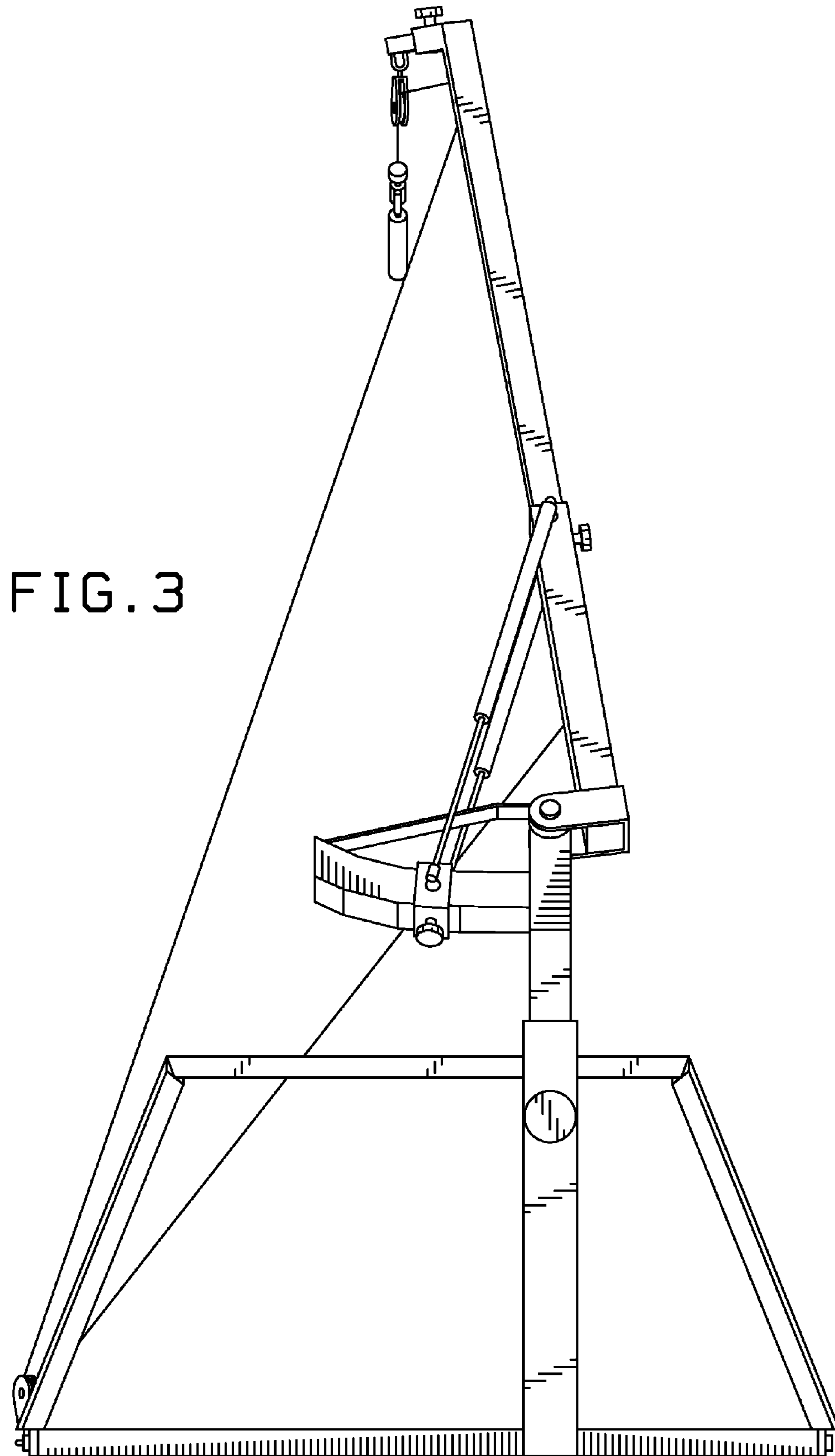


FIG. 3

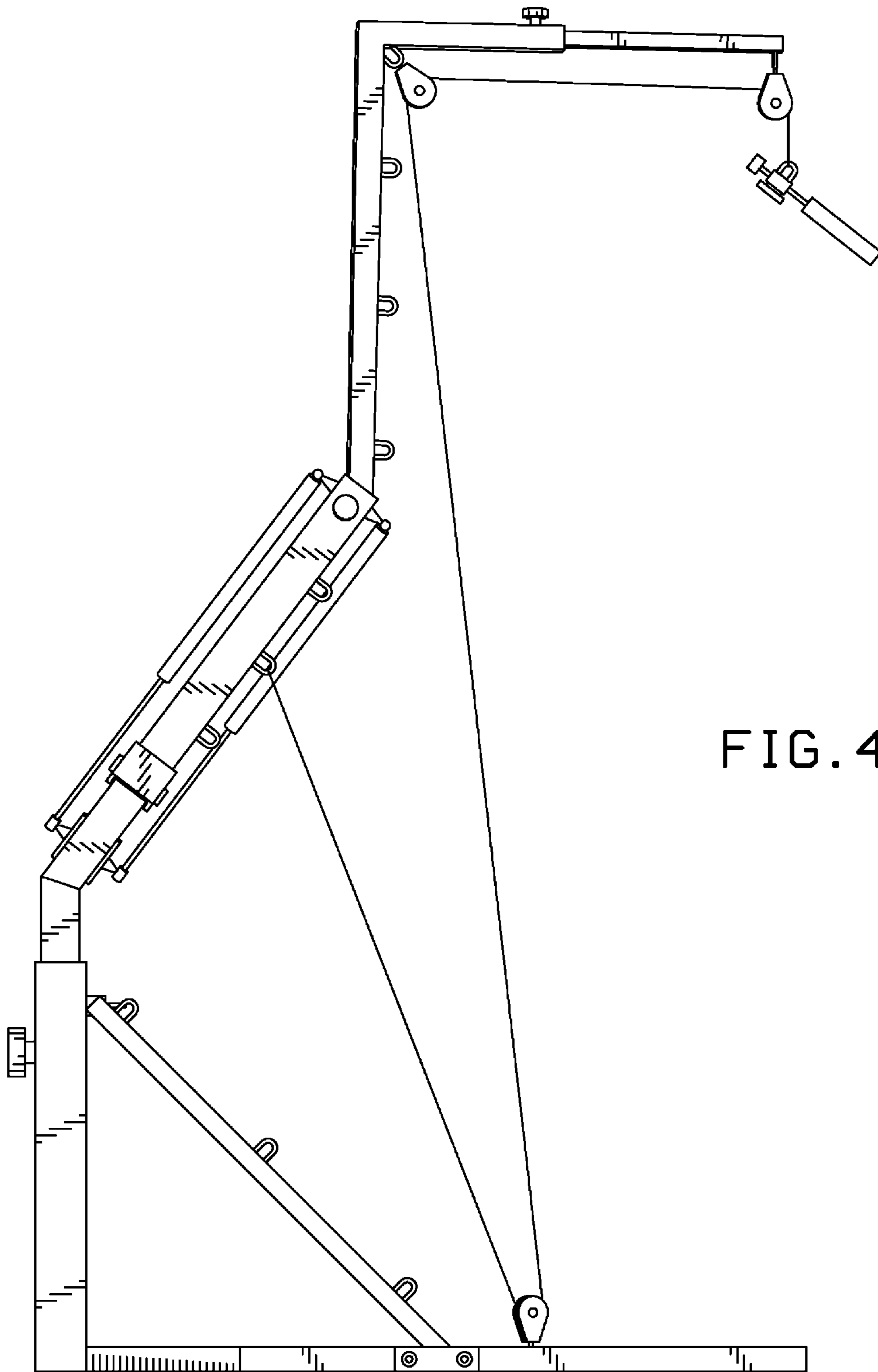


FIG. 4

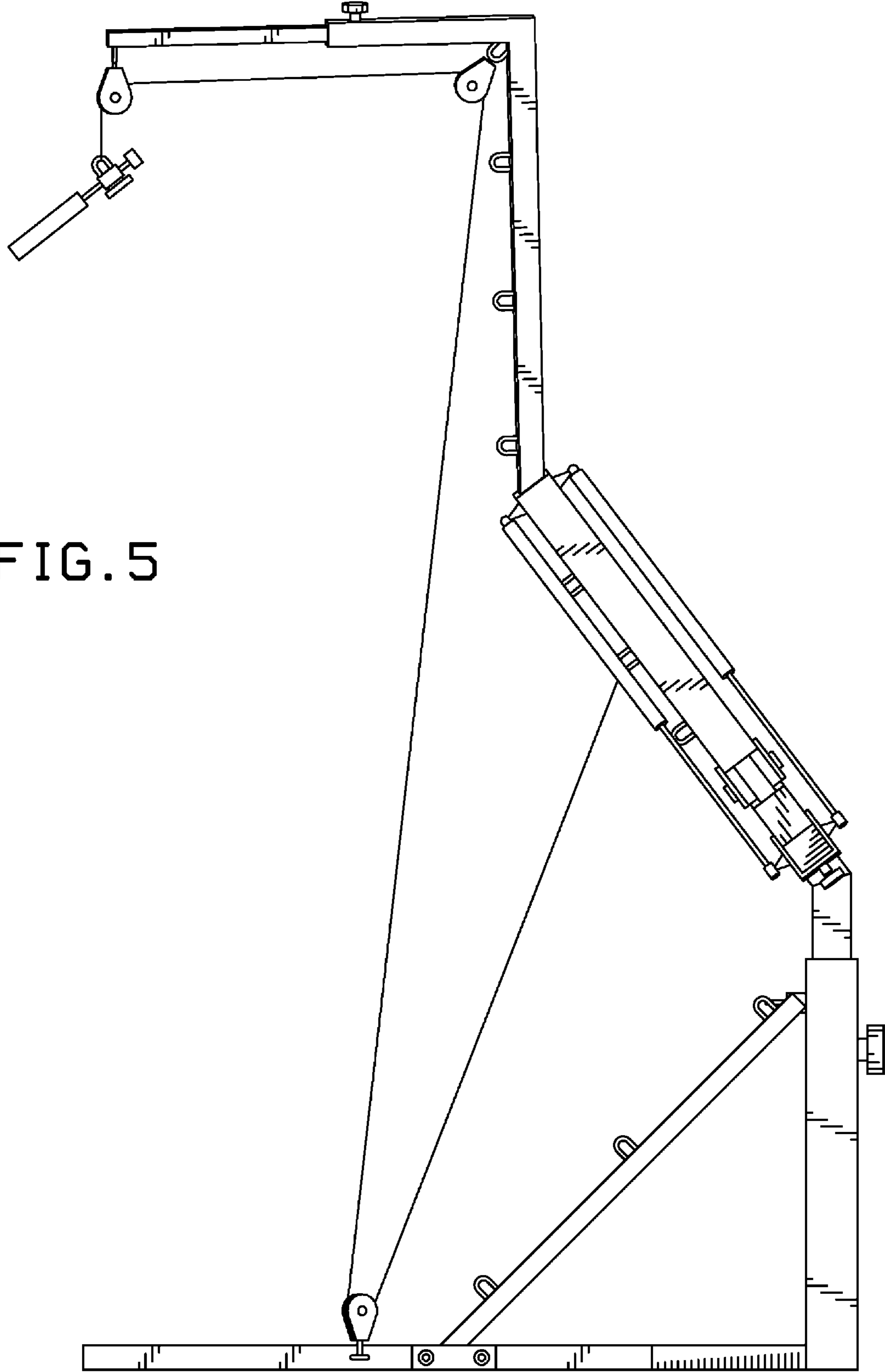


FIG. 5

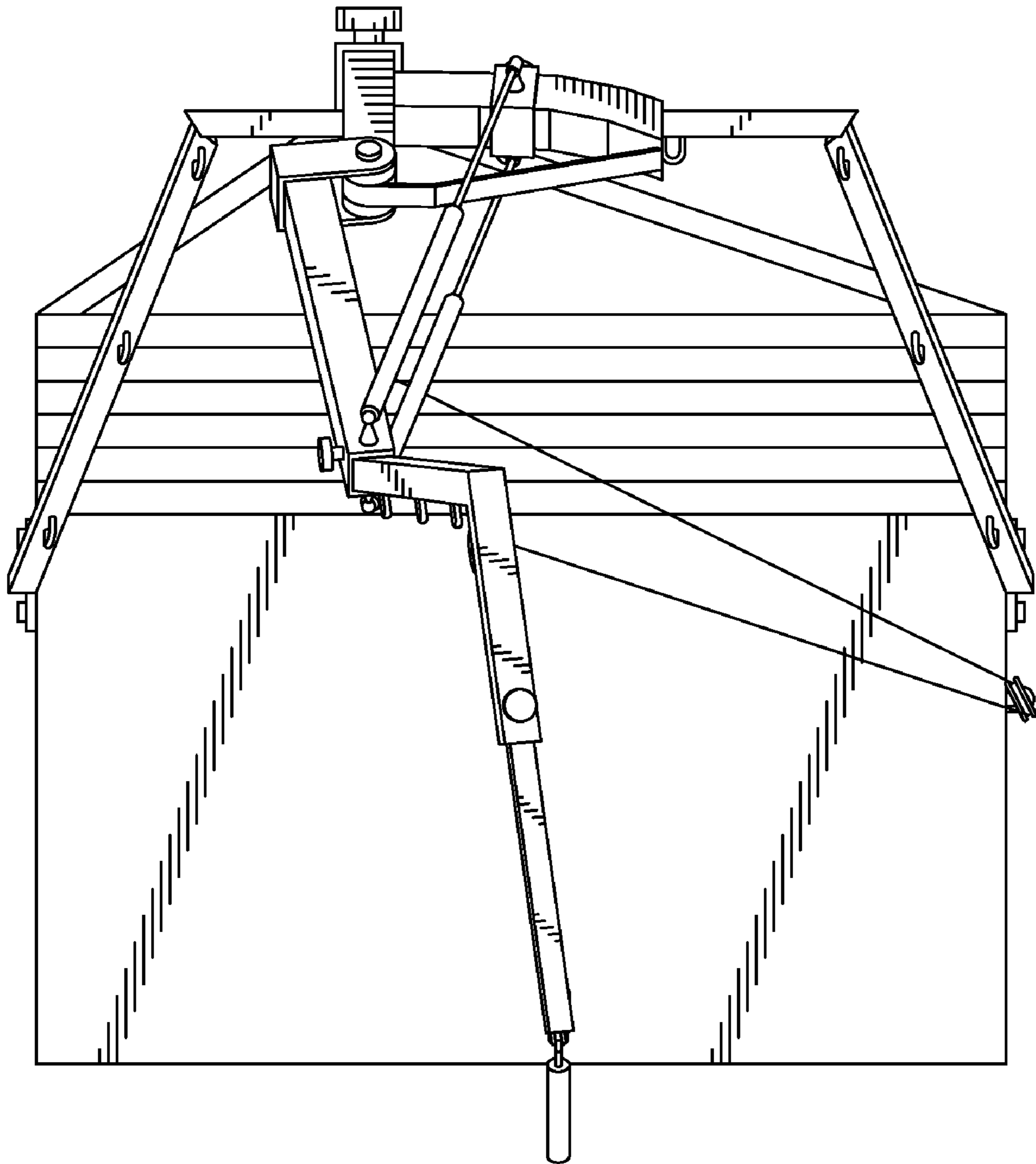


FIG. 6

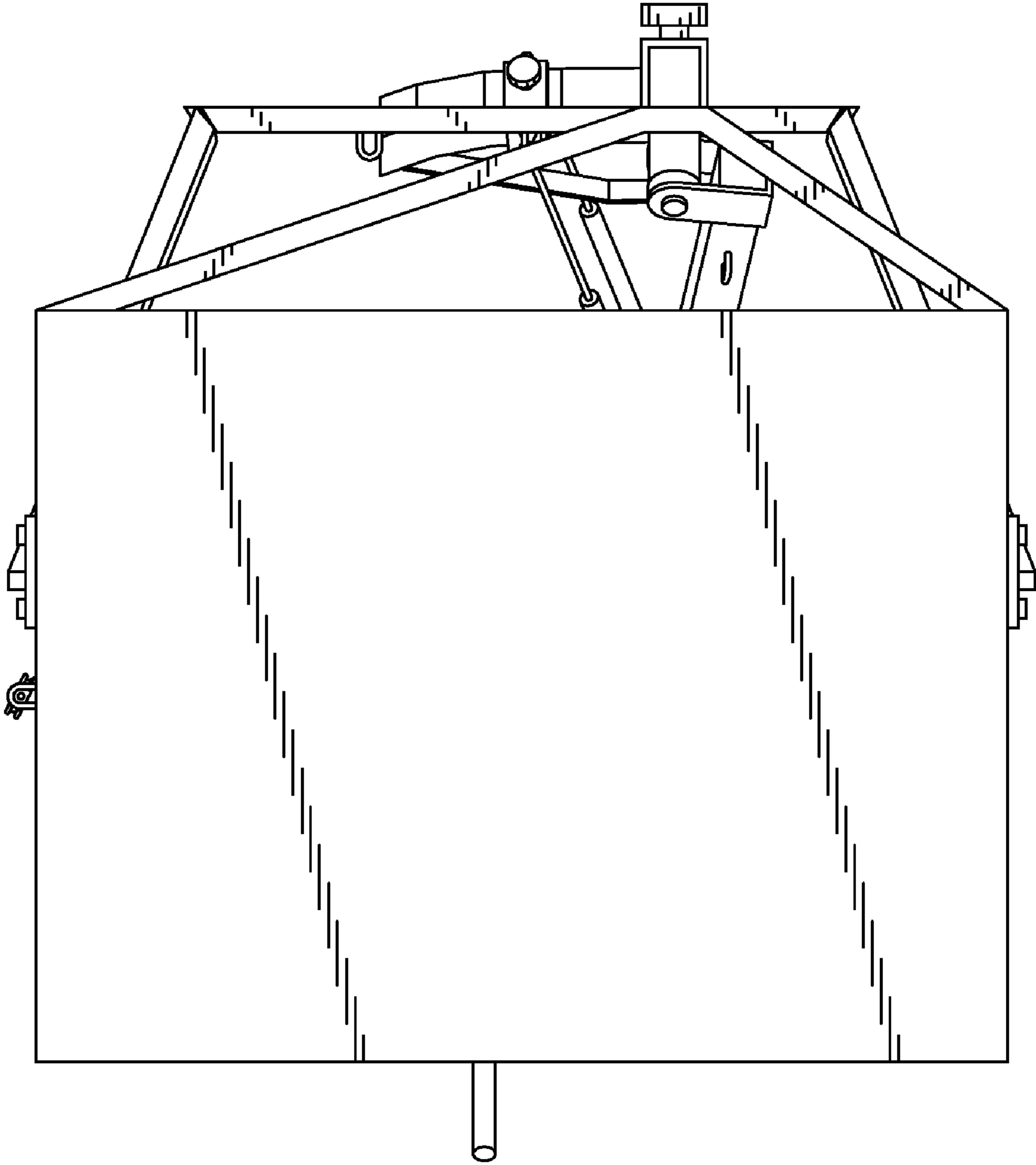


FIG. 7