



US00D636037S

(12) **United States Design Patent**
Chuang et al.

(10) **Patent No.:** **US D636,037 S**

(45) **Date of Patent:** **** Apr. 12, 2011**

(54) **WRIST EXERCISER WITH HANDLE**

(75) Inventors: **Pei Sung Chuang**, Taipei County (TW);
Yun Yu Chuang, Taipei County (TW)

(73) Assignee: **Nano-Second Technology Co., Ltd.**,
Taipei County (TW)

(**) Term: **14 Years**

(21) Appl. No.: **29/375,928**

(22) Filed: **Sep. 29, 2010**

(51) **LOC (9) Cl.** **21-02**

(52) **U.S. Cl.** **D21/684; D21/682**

(58) **Field of Classification Search** D21/662,
D21/677-685, 692, 694; 482/92-94, 97-111,
482/114-115, 138; D30/160; 119/707

See application file for complete search history.

(56) **References Cited**

U.S. PATENT DOCUMENTS

D341,403	S	*	11/1993	Wilkinson et al.	D21/684
D350,796	S	*	9/1994	Pravitz	D21/684
D351,436	S		10/1994	Pravitz		
D351,437	S		10/1994	Pravitz		
D365,612	S	*	12/1995	Pravitz	D21/684
D381,719	S	*	7/1997	Pravitz	D21/684
D418,562	S	*	1/2000	Pravitz et al.	D21/684
6,099,444	A		8/2000	Domenge		
D450,793	S	*	11/2001	Dantolan	D21/680
7,094,182	B1		8/2006	Holten		

7,102,258	B2		9/2006	Shen		
D544,653	S	*	6/2007	Bryne	D30/160
RE40,430	E	*	7/2008	Markham	119/707
D597,154	S	*	7/2009	Cheng	D21/681
D627,836	S	*	11/2010	Hanoun	D21/680
D628,249	S	*	11/2010	Wu	D21/681
D628,660	S	*	12/2010	Verheem	D21/681

* cited by examiner

Primary Examiner — Susan E Krakower

(74) *Attorney, Agent, or Firm* — Tim Tingkang Xia; Morris,
Manning & Martin, LLP

(57) **CLAIM**

The ornamental design for a “wrist exerciser with handle,” is as shown and described.

DESCRIPTION

FIG. 1 is a perspective view of wrist exerciser with handle showing our new design;

FIG. 2 is a front view thereof;

FIG. 3 is a rear view thereof;

FIG. 4 is a left side elevational view thereof;

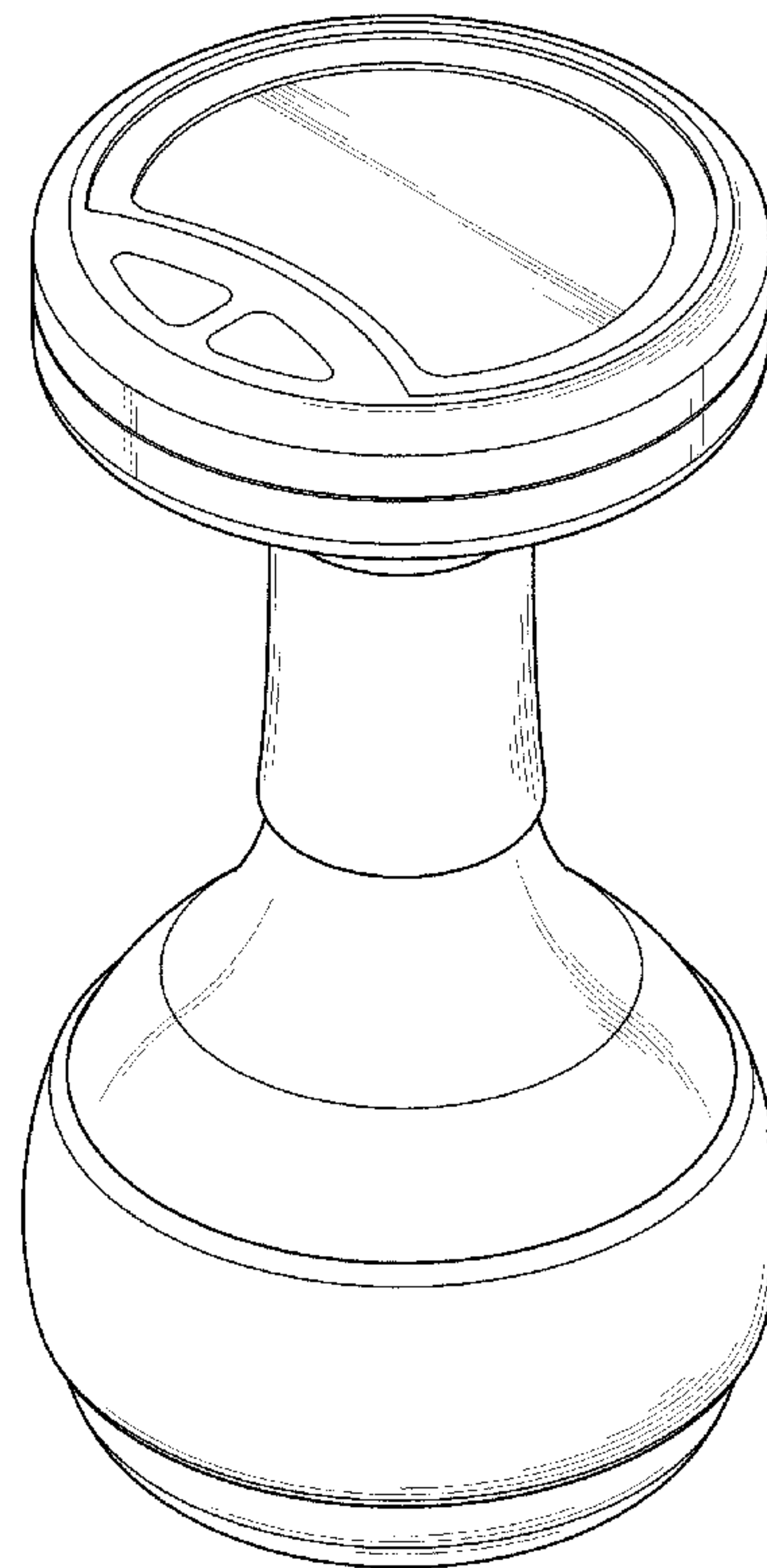
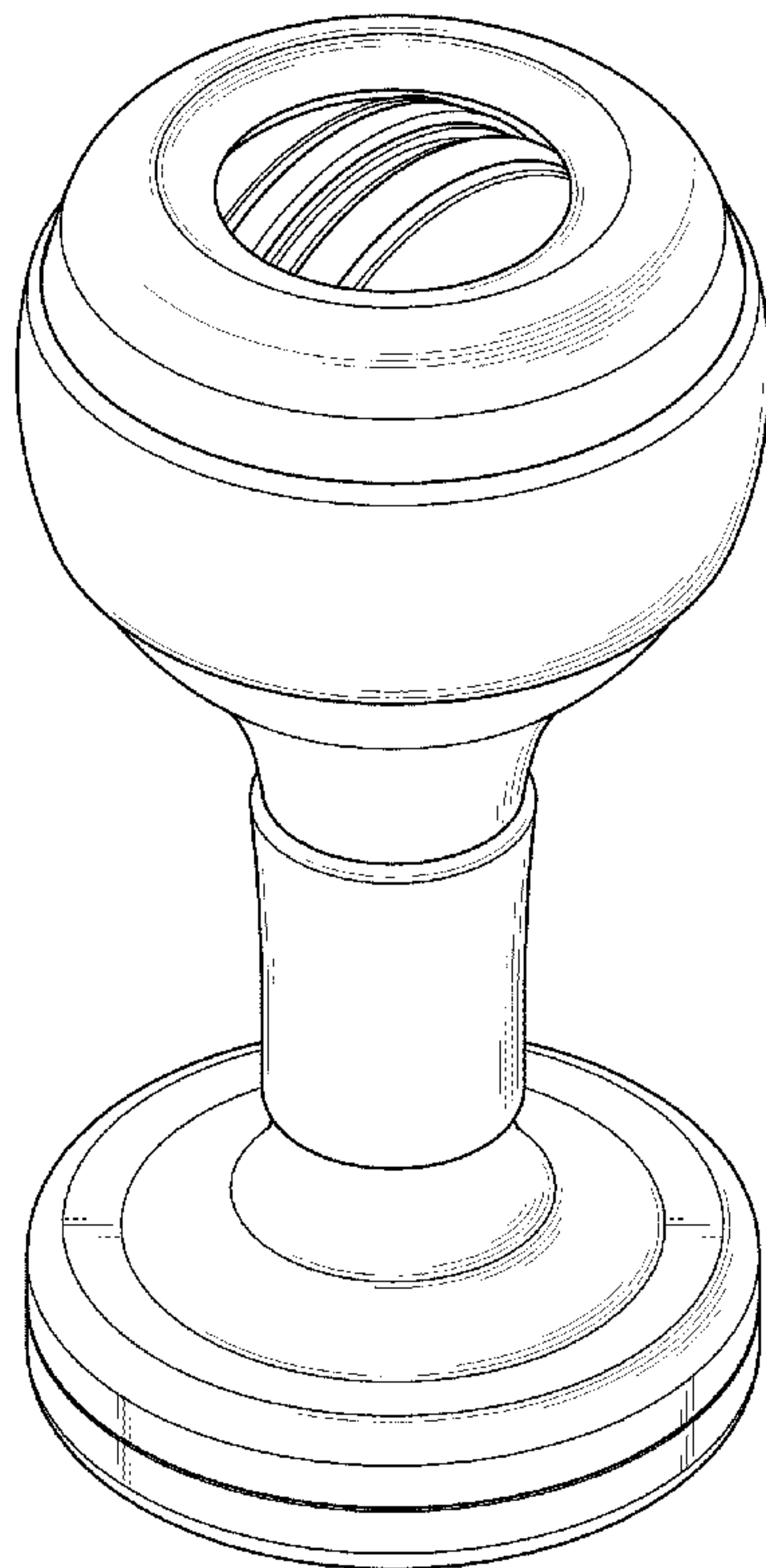
FIG. 5 is a right side elevational view thereof;

FIG. 6 is a top view thereof;

FIG. 7 is a bottom view thereof; and,

FIG. 8 is another perspective view of the wrist exerciser with handle showing our new design in an alternative position.

1 Claim, 7 Drawing Sheets



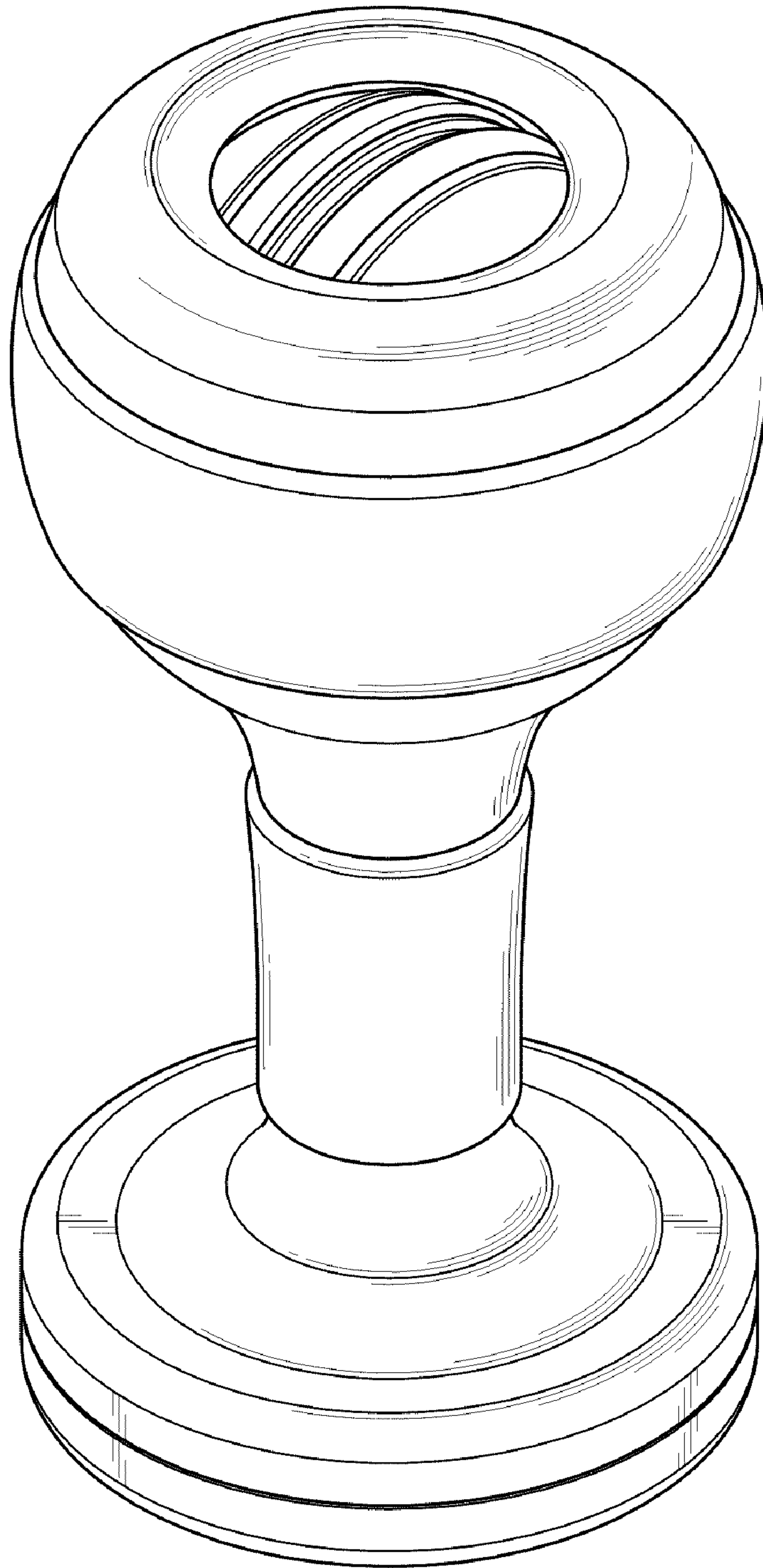


FIG. 1

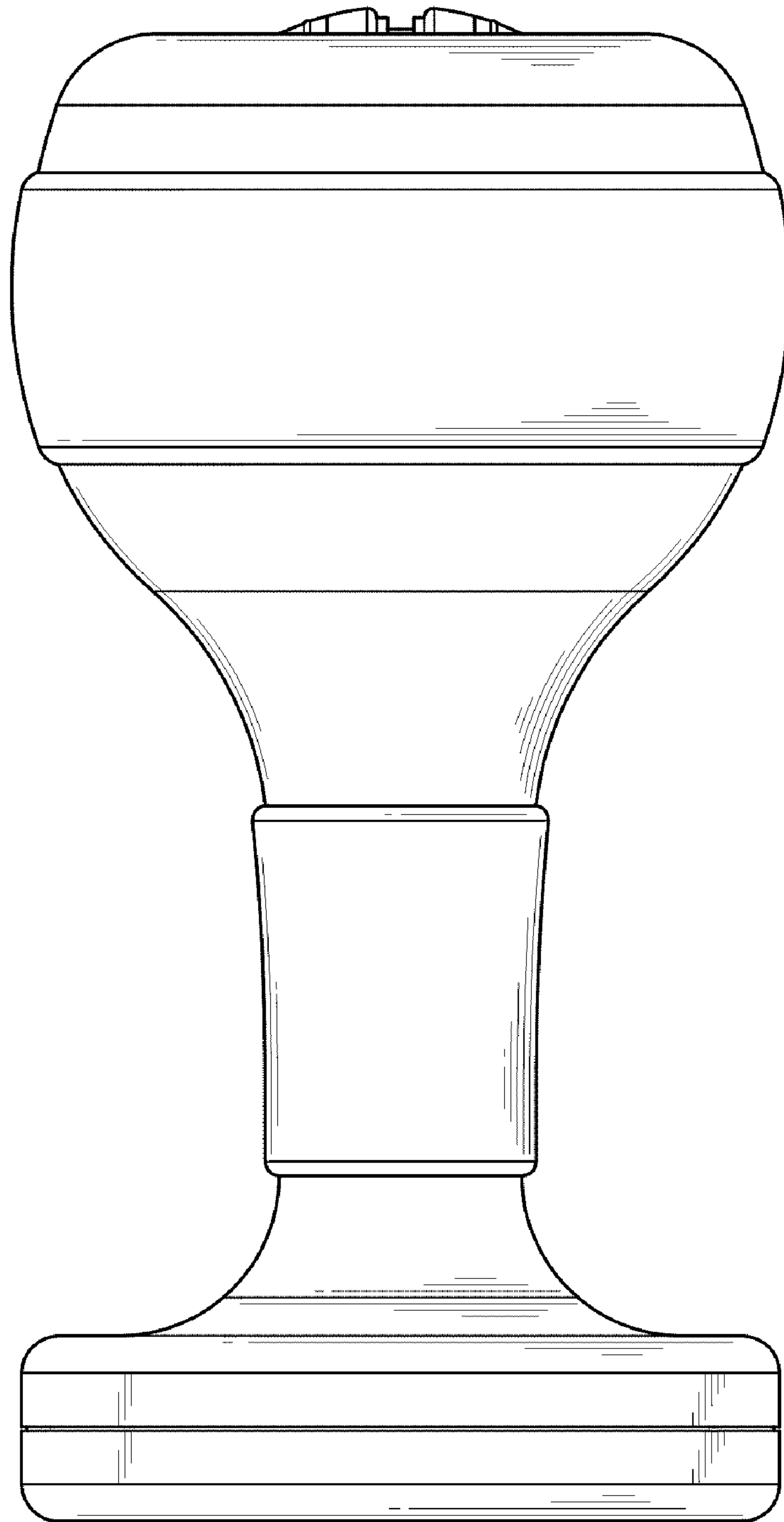


FIG. 2

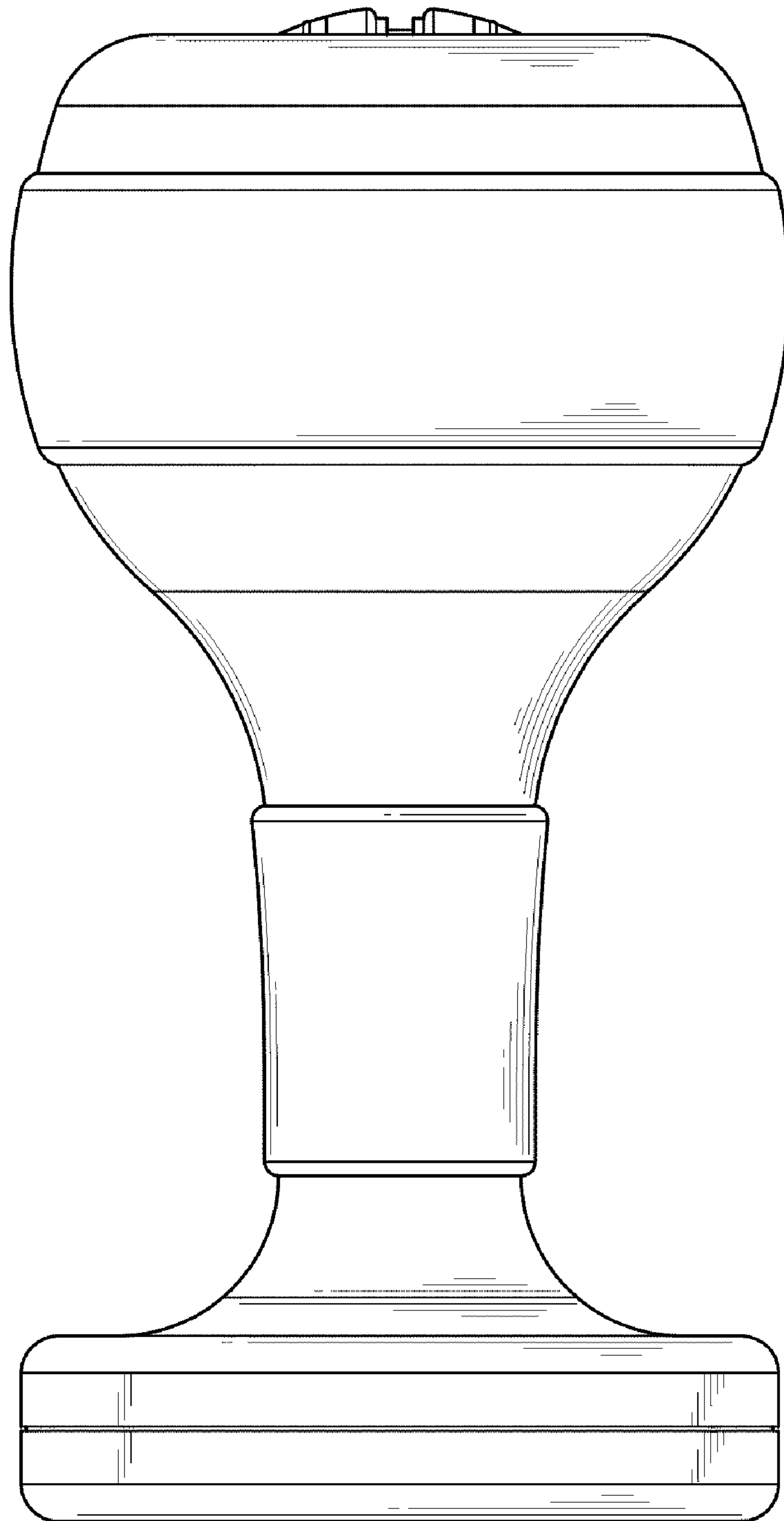


FIG.3

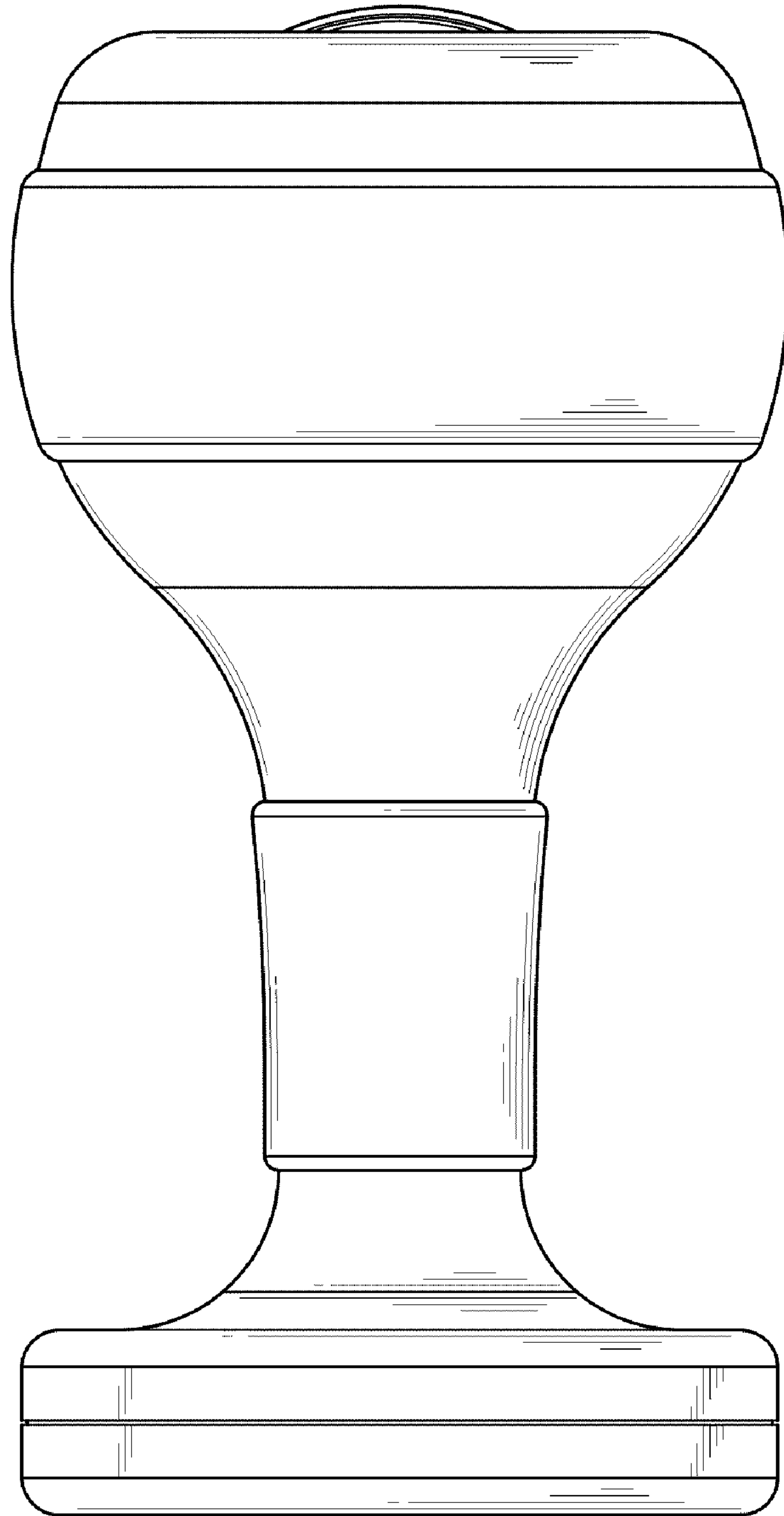


FIG. 4

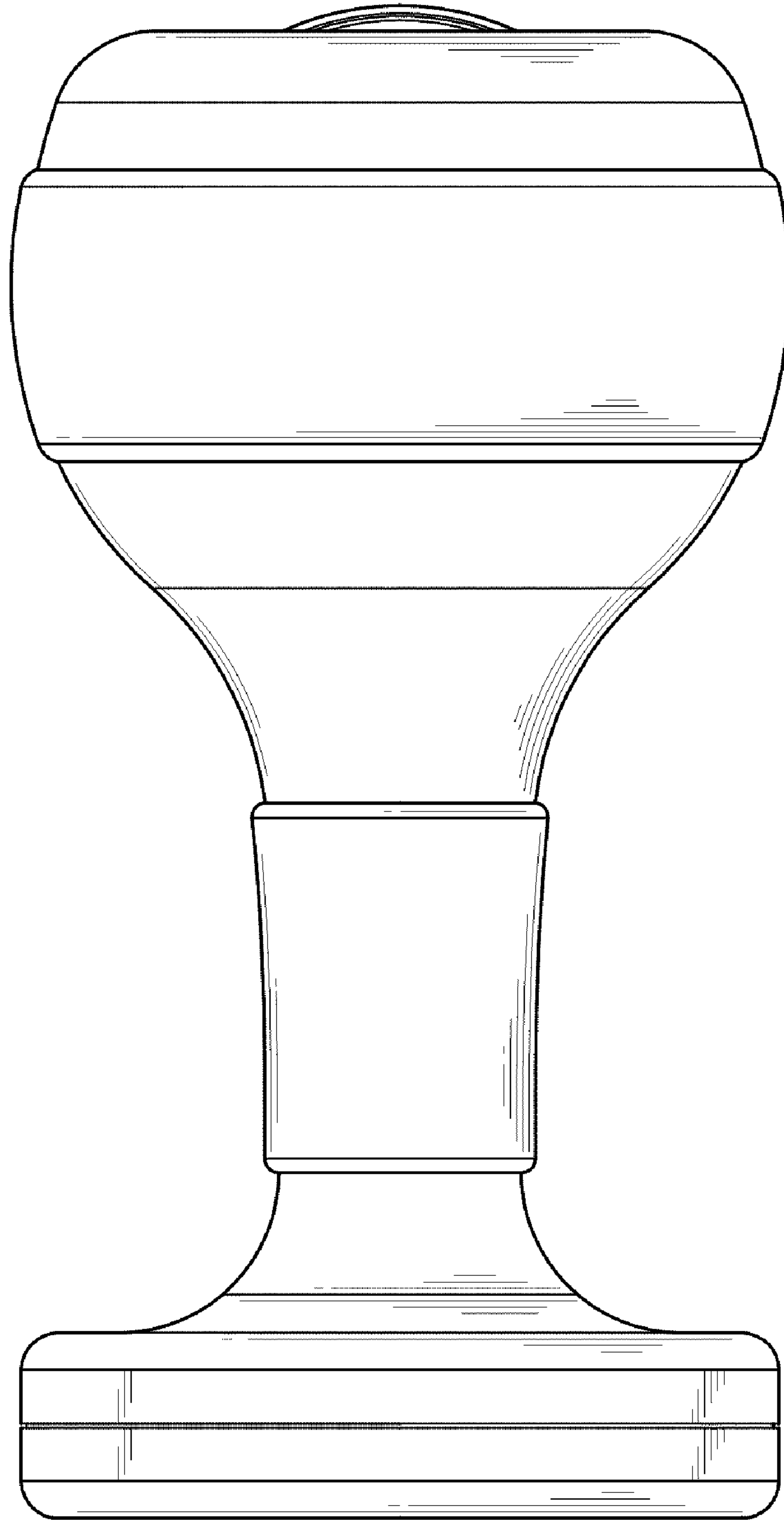


FIG.5

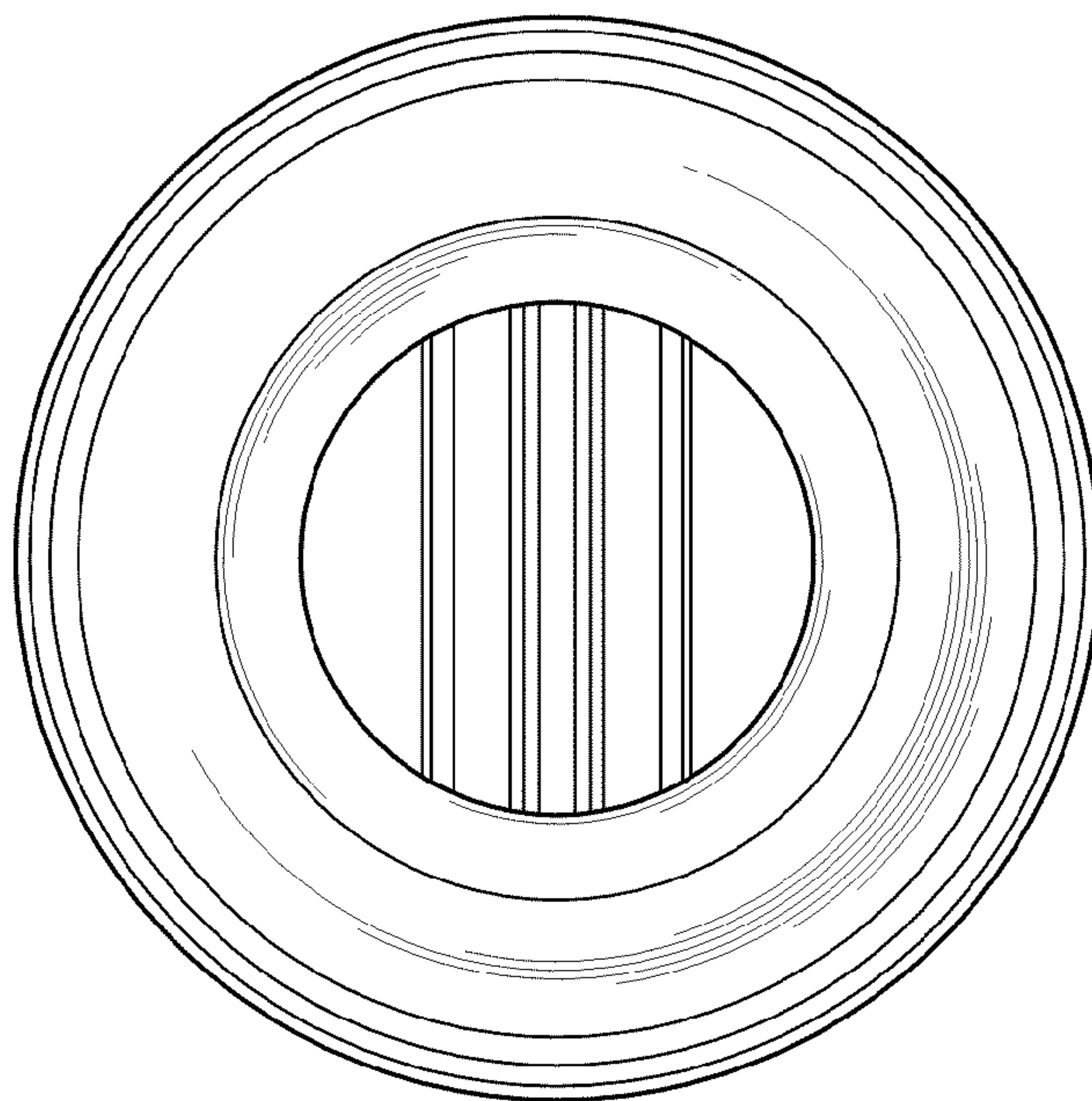


FIG. 6

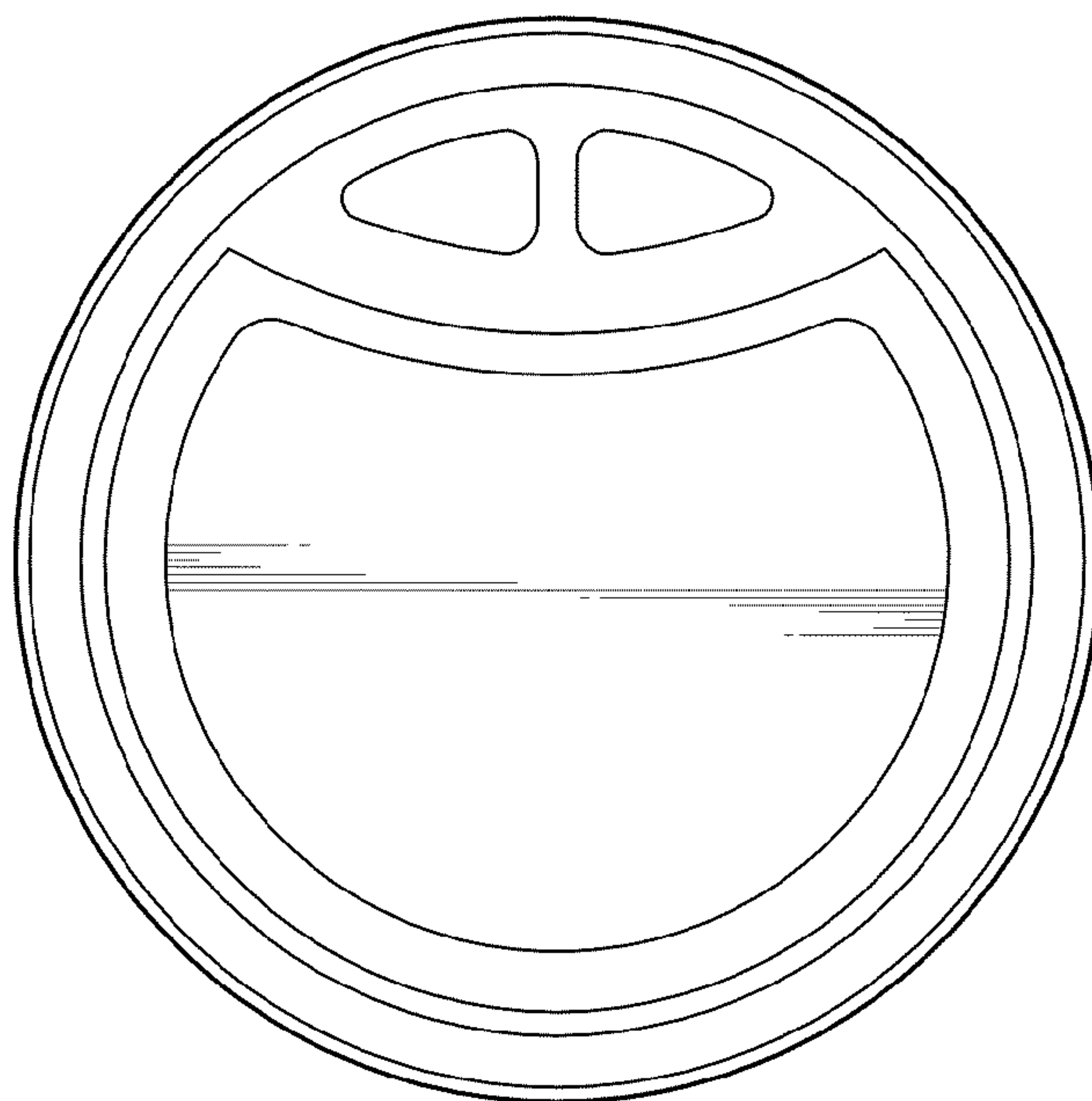


FIG. 7

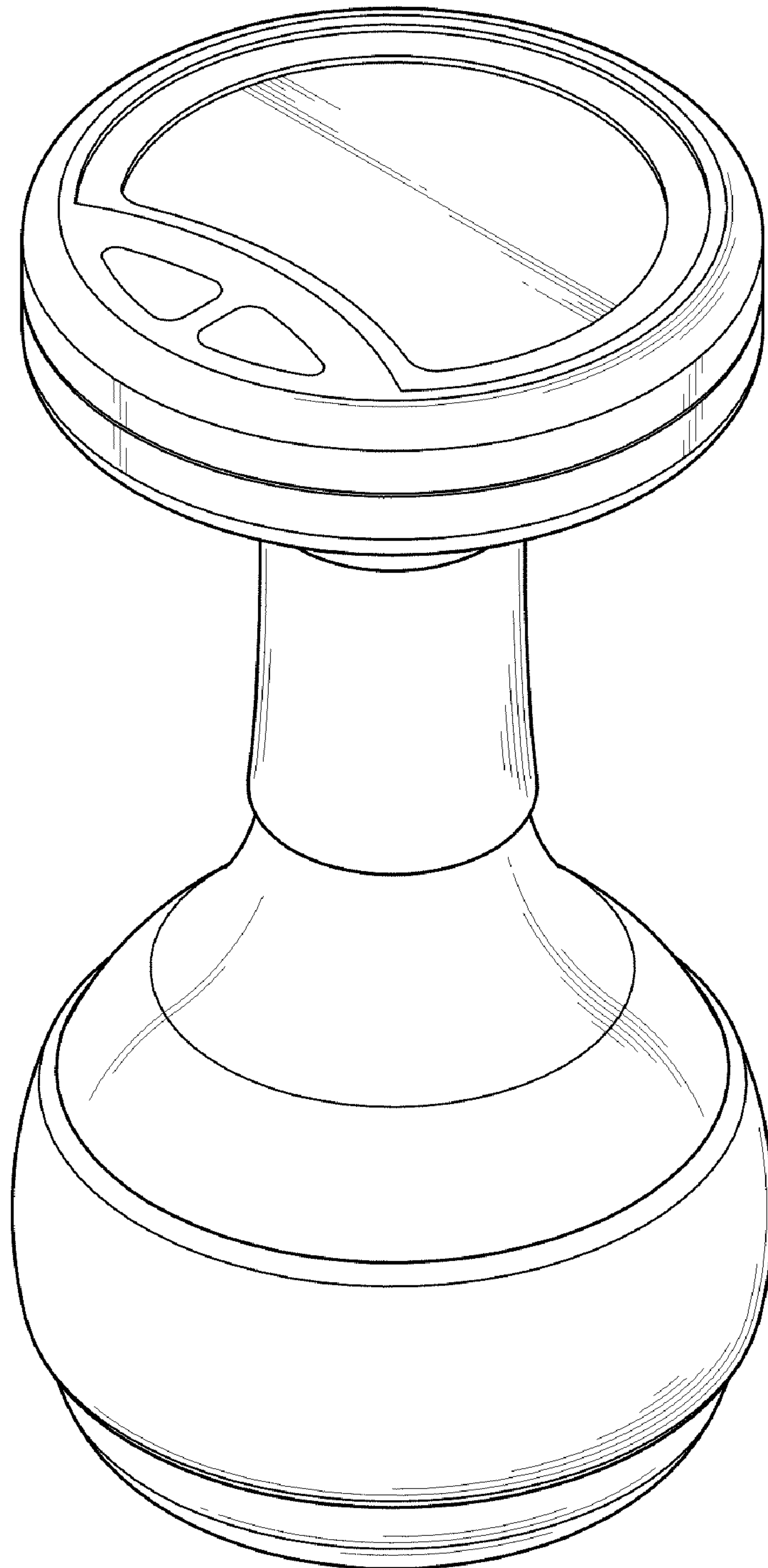


FIG. 8