



US00D636031S

(12) **United States Design Patent**
Torre et al.

(10) **Patent No.:** **US D636,031 S**
(45) **Date of Patent:** **** Apr. 12, 2011**

(54) **PISTOL**

(75) Inventors: **Victor Tresserras Torre**, Sant Boi de Llobregat (ES); **Julian Arnedo**, San Boi de Llobregat (ES)

(73) Assignee: **Gamo Outdoor, SL**, Barcelona (ES)

(**) Term: **14 Years**

(21) Appl. No.: **29/335,444**

(22) Filed: **Apr. 15, 2009**

(30) **Foreign Application Priority Data**

Mar. 11, 2009 (WO) 485771701

(51) **LOC (9) Cl.** **21-01**

(52) **U.S. Cl.** **D21/573**

(58) **Field of Classification Search** D21/333, D21/461, 567, 568, 570-575; D22/100, D22/101, 104, 105, 108-110; D14/418; 446/23, 182, 192, 401, 403, 405-407, 473; 124/16, 26-29, 41.1, 45, 49, 51.1, 54, 55, 124/56, 69, 70-74, 79; 222/78, 79; 42/7, 42/54, 57, 58, 69.01-69.03, 70.01, 70.02, 42/71.02, 84, 85; 89/125, 128

See application file for complete search history.

(56) **References Cited**

U.S. PATENT DOCUMENTS

D110,887 S * 8/1938 Stevens D22/104
2,975,680 A * 3/1961 Wilson 42/7
D228,757 S * 10/1973 Sanford D22/104

4,583,958 A * 4/1986 Matsuda 446/473
D376,831 S * 12/1996 Resuggan D22/104
5,584,136 A * 12/1996 Boland et al. 42/7
D398,661 S * 9/1998 Lee D21/333
D479,570 S * 9/2003 Scheunert D22/104
6,694,658 B1 * 2/2004 Marsac 124/16
D515,638 S * 2/2006 Pflaumer et al. D21/574
D559,337 S * 1/2008 Wang D21/574
D570,925 S * 6/2008 Wu D21/574
D583,896 S * 12/2008 McGarry D22/104
D598,065 S * 8/2009 Vukovic et al. D22/104
2009/0007896 A1 * 1/2009 Chung-Kuan 124/69

* cited by examiner

Primary Examiner — Cynthia M Chin

(74) *Attorney, Agent, or Firm* — Kilpatrick Townsend & Stockton LLP

(57) **CLAIM**

The ornamental design for pistol, as shown and described.

DESCRIPTION

FIG. 1 is a perspective view of a pistol showing my new design;

FIG. 2 is a right side elevational view thereof;

FIG. 3 is a left side elevational view thereof;

FIG. 4 is a front elevational view;

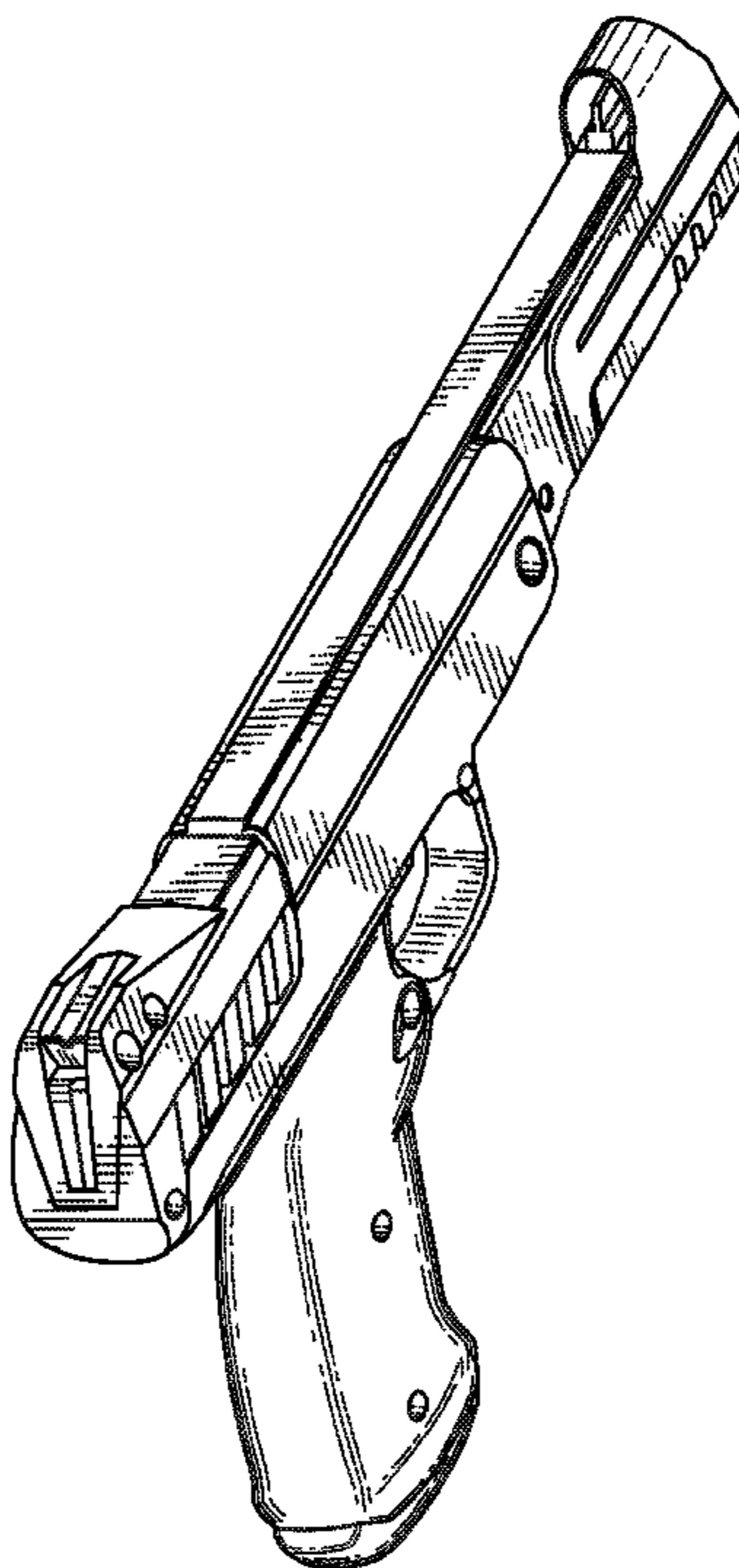
FIG. 5 is a rear elevational view;

FIG. 6 is a bottom plan view thereof; and,

FIG. 7 is a top plan view thereof.

The portions of the article shown in broken lines form no part of the claimed design.

1 Claim, 5 Drawing Sheets



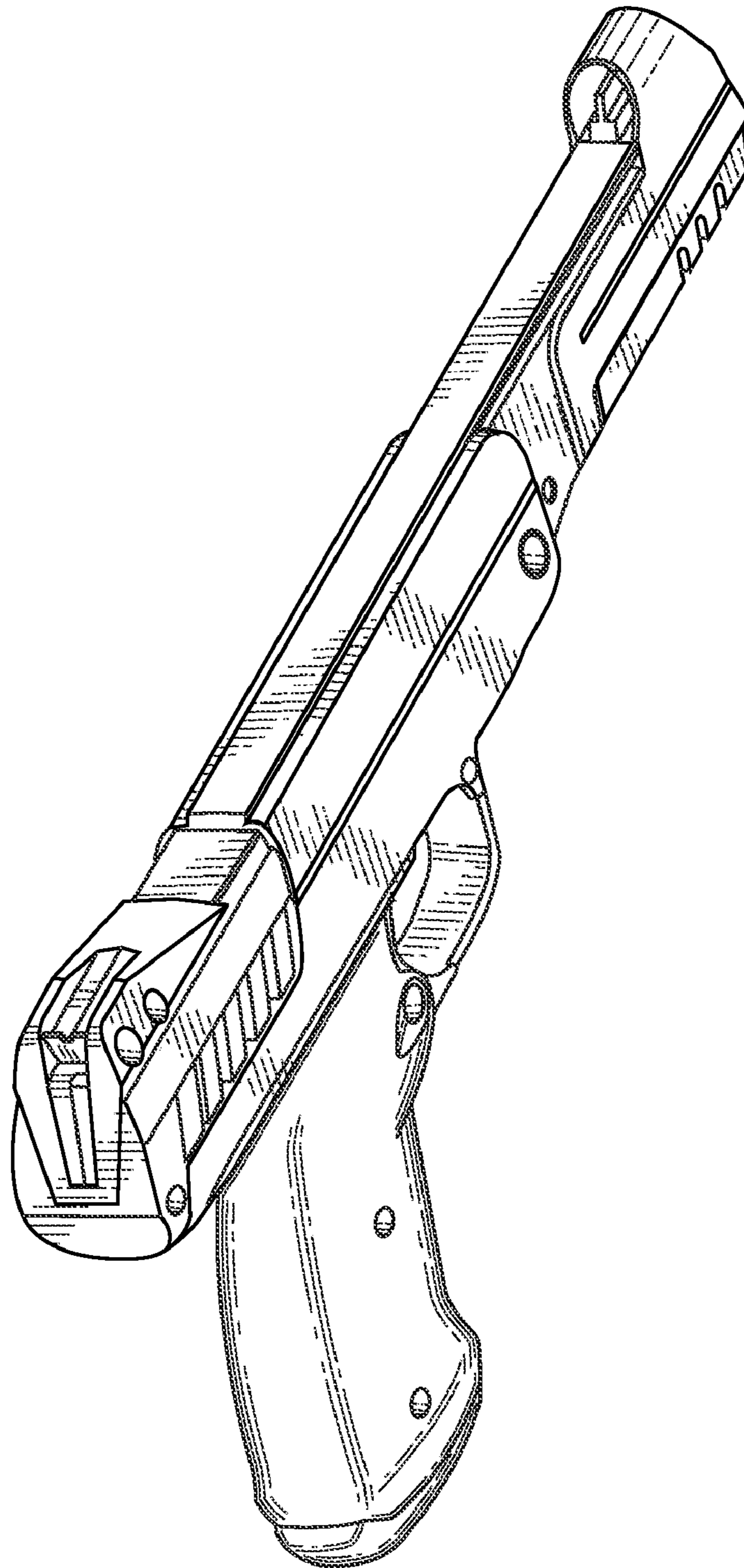


FIG. 1

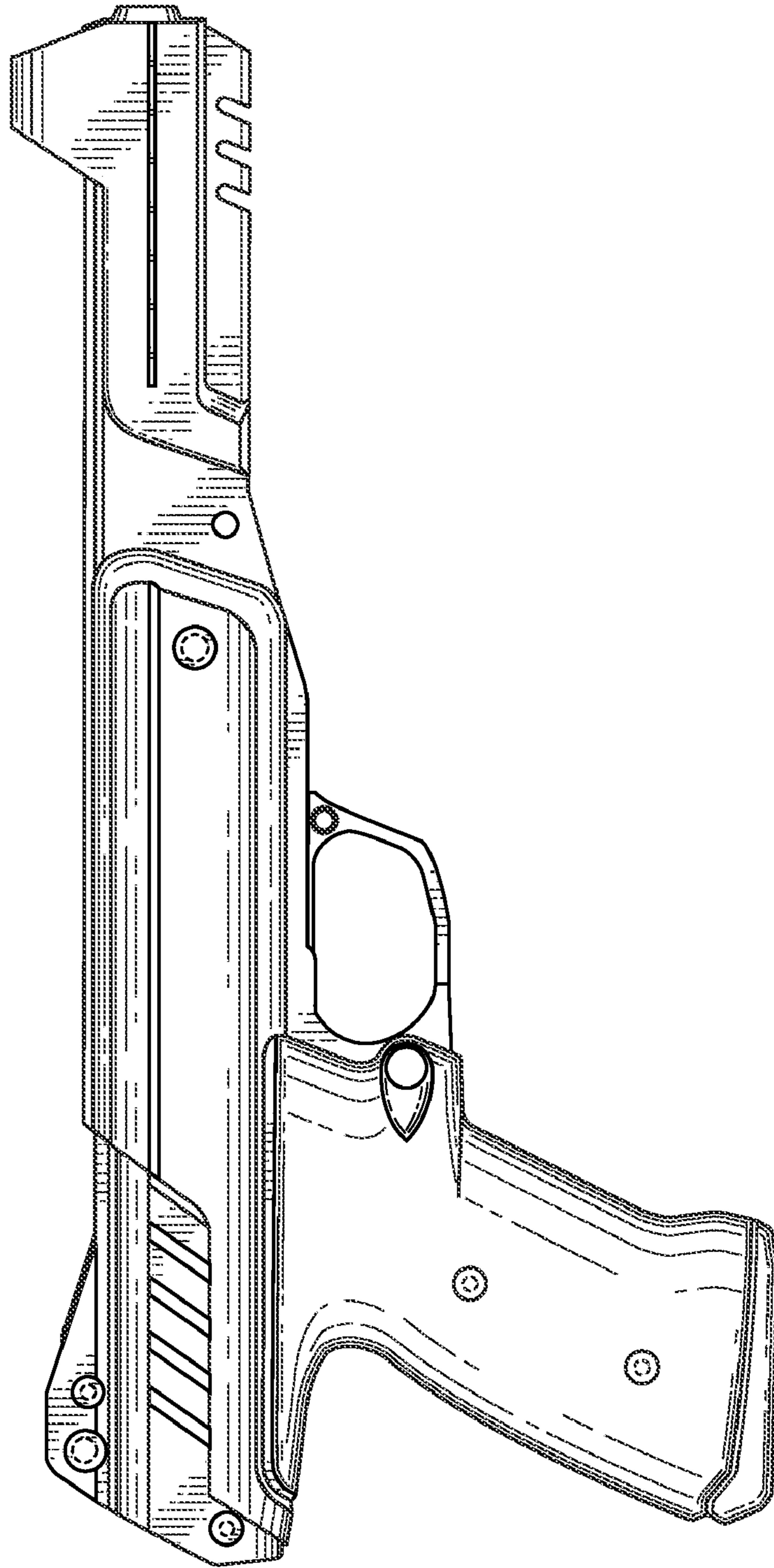


FIG. 2

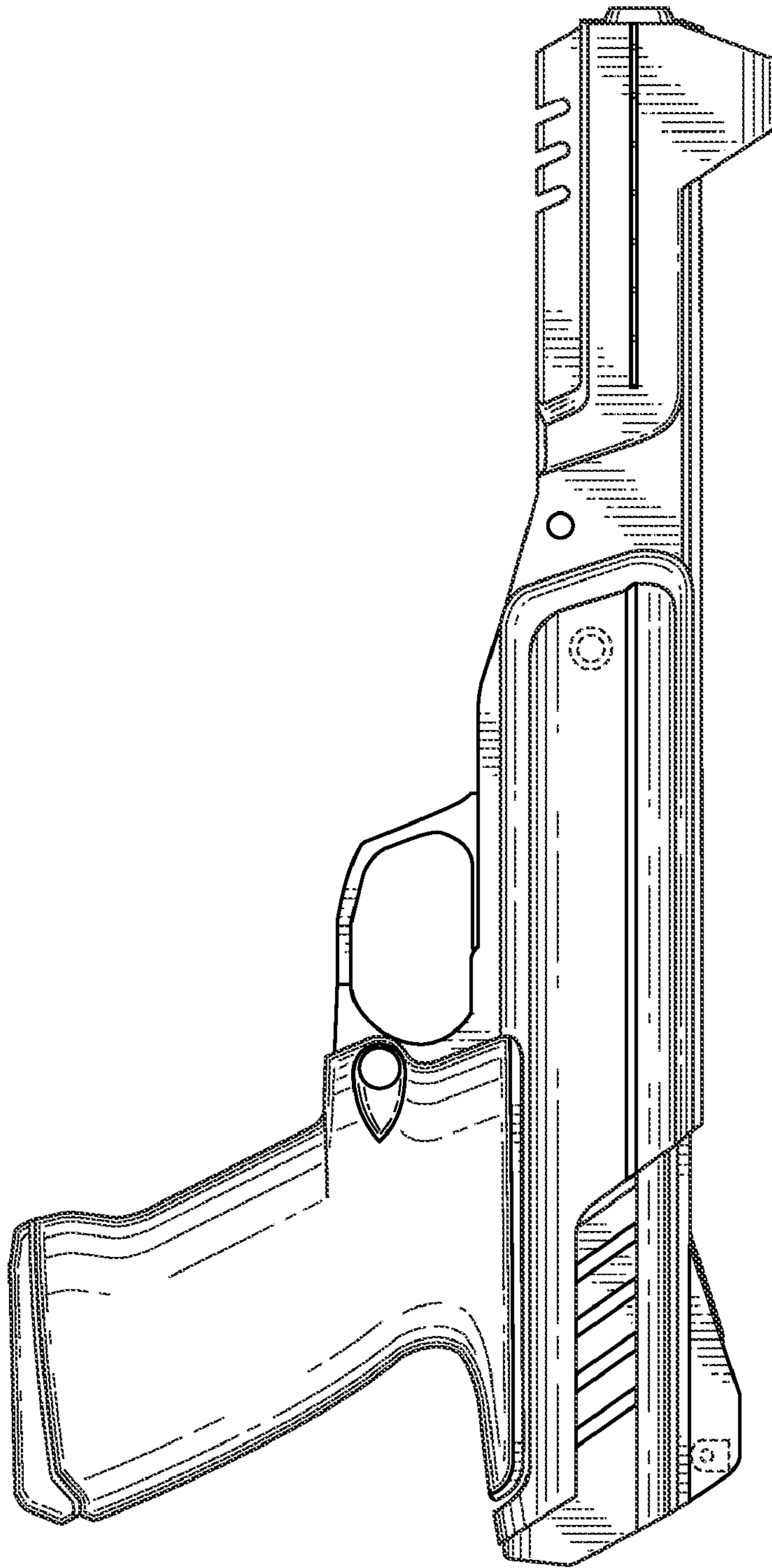


FIG. 3

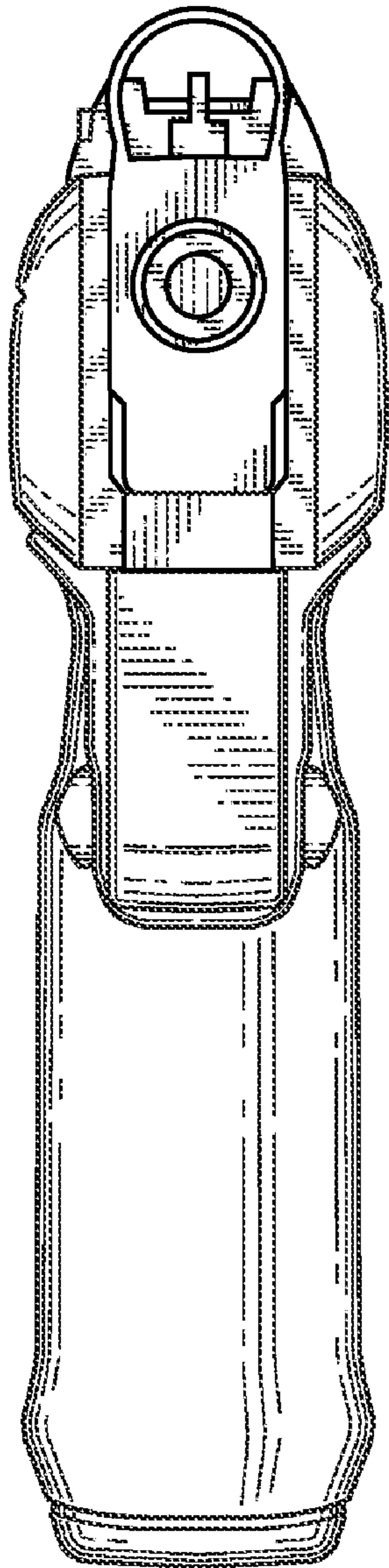


FIG. 4

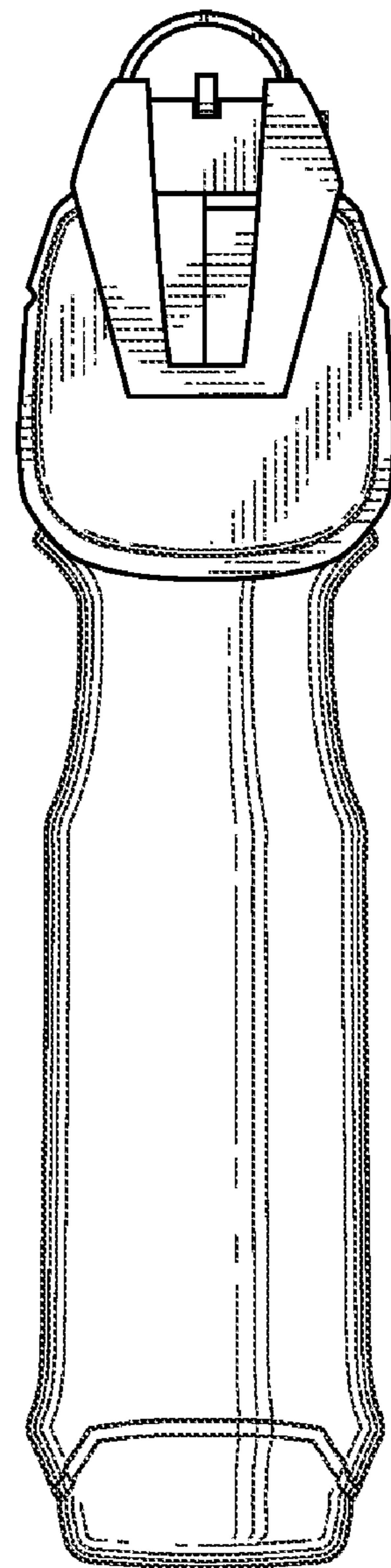


FIG. 5

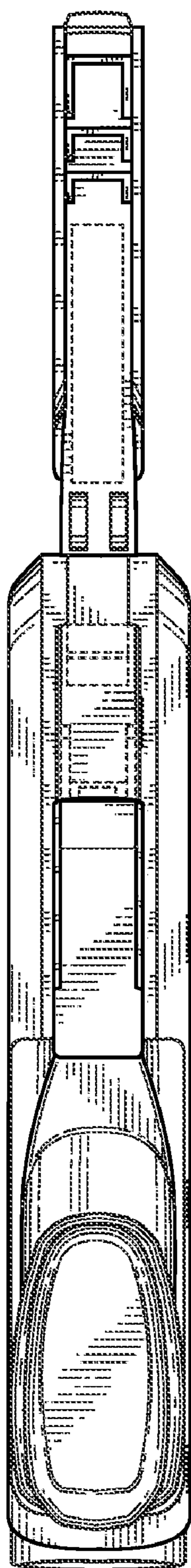


FIG. 6

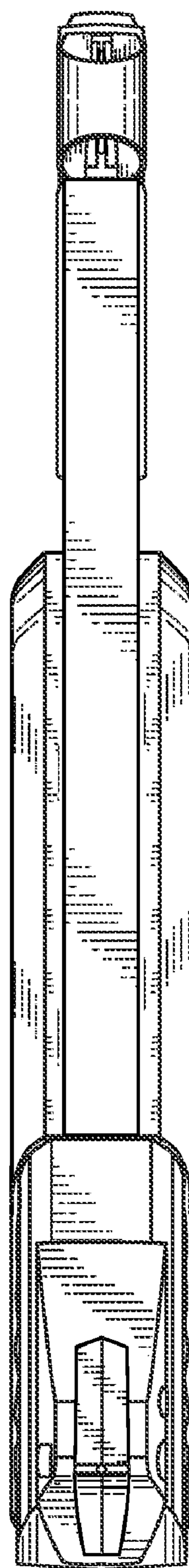


FIG. 7