



US00D636029S

(12) **United States Design Patent**
Jarrett

(10) **Patent No.:** **US D636,029 S**

(45) **Date of Patent:** **** Apr. 12, 2011**

(54) **DEVICE FOR BOOSTING FAN SUPPORT AT SPORTS EVENTS**

(76) Inventor: **McIvan Jarrett**, Miami, FL (US)

(**) Term: **14 Years**

(21) Appl. No.: **29/370,482**

(22) Filed: **Jul. 23, 2010**

(51) **LOC (9) Cl.** **20-02**

(52) **U.S. Cl.** **D20/29; D20/19; D20/21**

(58) **Field of Classification Search** D20/10.19,
D20/21, 29, 39, 41-43, 99; 40/218, 411,
40/446, 538, 541, 584, 606.01, 607.01, 610,
40/642.02, 643, 644; D7/301; D10/104,
D10/109; D11/166, 181, 184; D12/190,
D12/400, 405, 406; D21/400, 662; 362/812;
446/72, 73; 428/542.4

See application file for complete search history.

(56) **References Cited**

U.S. PATENT DOCUMENTS

4,454,204	A	*	6/1984	Posey	428/542.4
D354,712	S	*	1/1995	Moat	D11/166
D414,819	S	*	10/1999	Pool et al.	D21/400
D438,820	S	*	3/2001	Goulding	D11/166
D456,051	S	*	4/2002	Mitchell	D21/662
D493,491	S	*	7/2004	Smedley et al.	D20/19
D508,540	S	*	8/2005	Smedley et al.	D20/19

D564,595	S	*	3/2008	Barrett	D20/29
D599,157	S	*	9/2009	Stein	D7/301
2001/0034177	A1	*	10/2001	Hunn	446/73

* cited by examiner

Primary Examiner — Mary Ann Calabrese

(74) *Attorney, Agent, or Firm* — Robert M. Downey, P.A.

(57) **CLAIM**

The ornamental design for a device for boosting fan support at sports events, as shown and described.

DESCRIPTION

FIG. 1 is a top front perspective view of a device for boosting fan support at sports events showing my new design, with stitching of a baseball and a flag shown in broke lines and forming no part of the claimed design;

FIG. 2 is a left end elevational view thereof, the right end elevational view being identical thereto;

FIG. 3 is a front elevational view thereof, the rear elevational view being identical thereto;

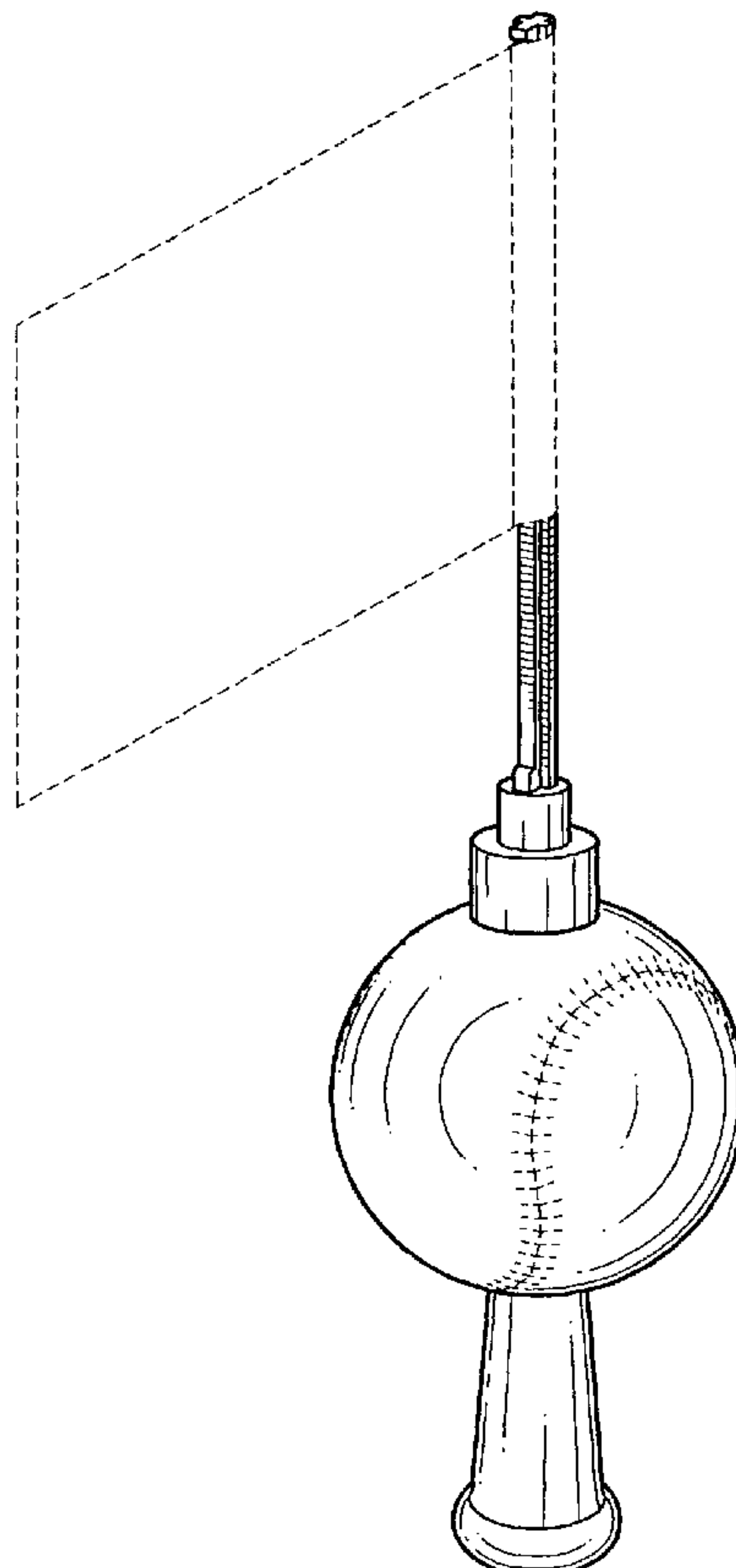
FIG. 4 is a top plan view thereof;

FIG. 5 is a bottom plan view thereof; and,

FIG. 6 is a top front perspective view of my design of a device for boosting fan support at sports events, wherein stitching of a soccer ball and a flag are shown in broken lines and form no part of the claimed design.

The broken lines shown in FIGS. 1-6 are for illustrative purposes and form no part of the claimed design.

1 Claim, 5 Drawing Sheets



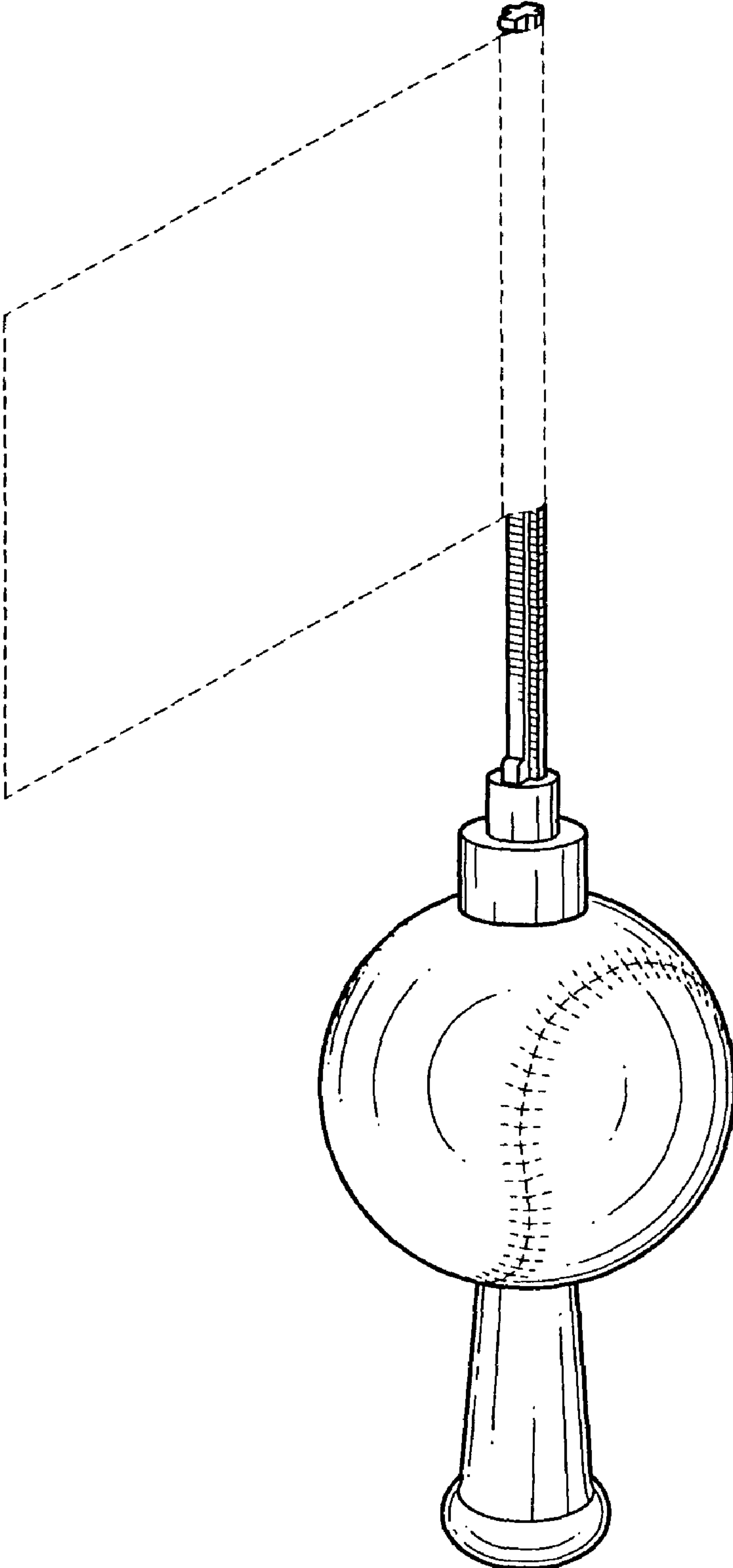


FIG. 1

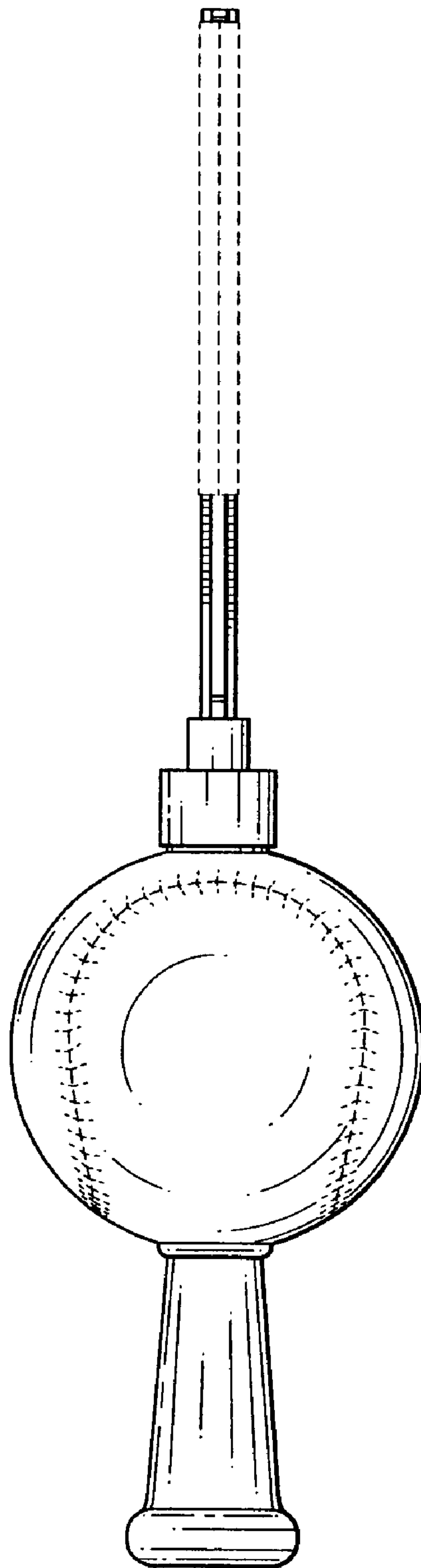


FIG. 2

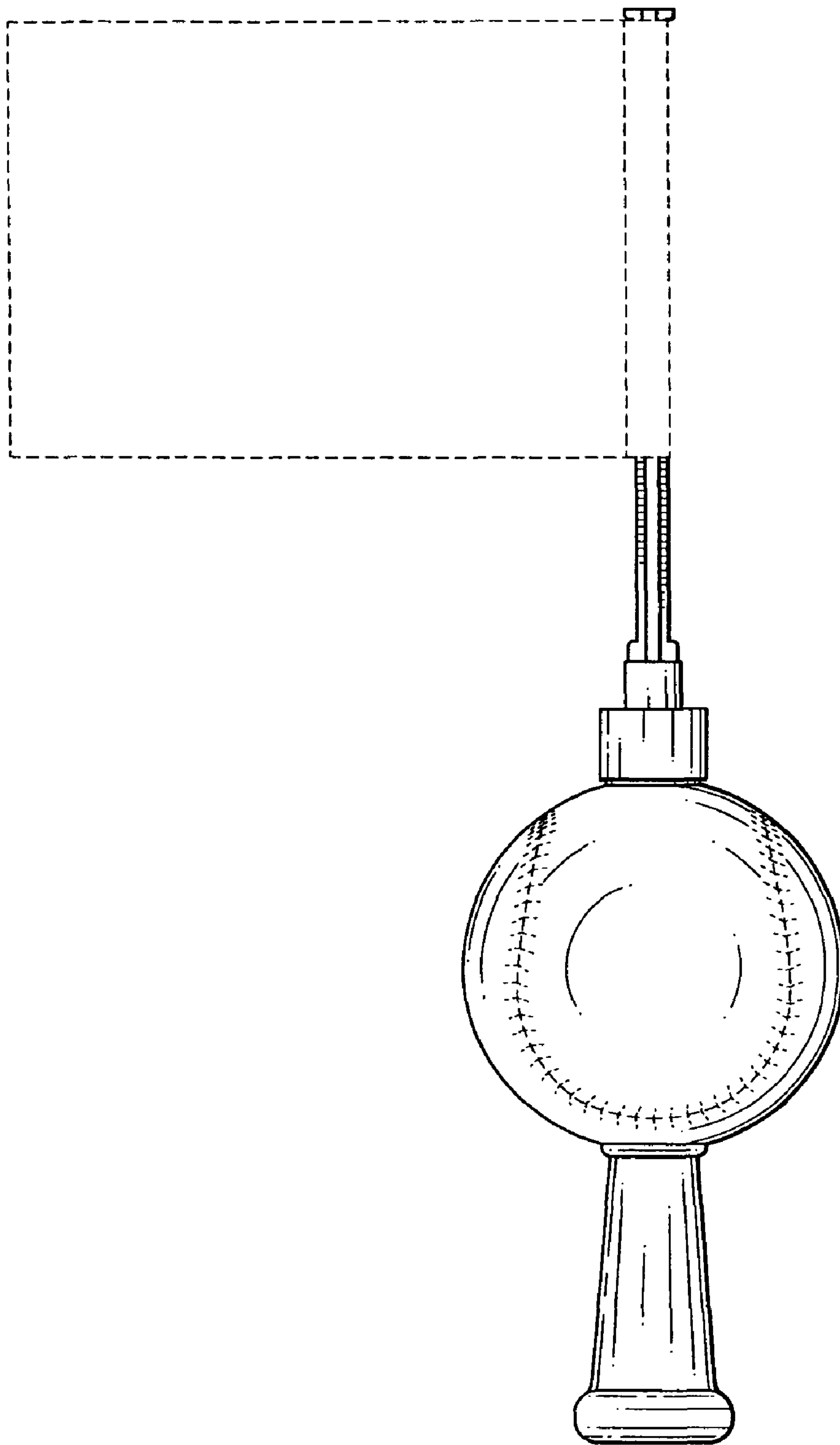


FIG. 3

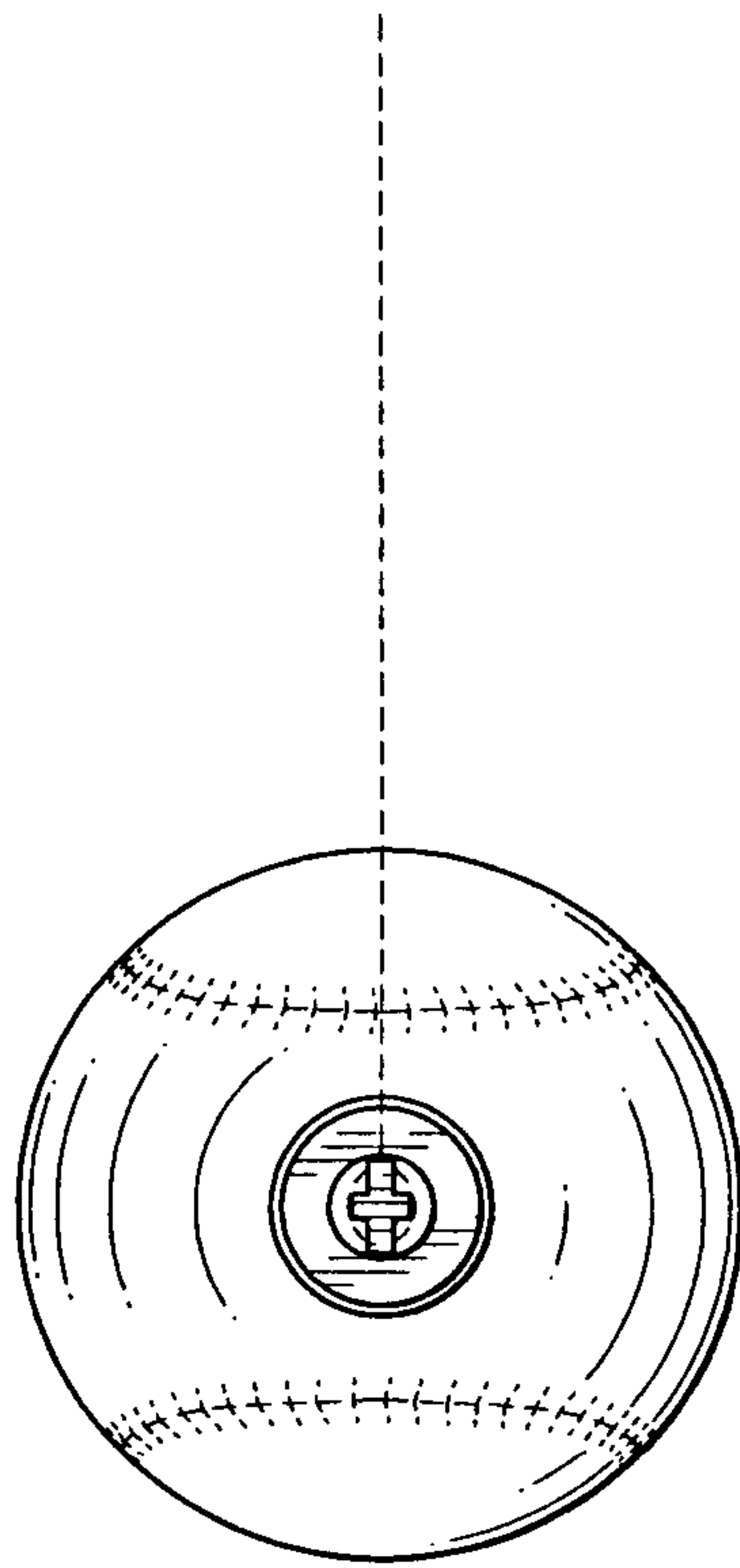


FIG. 4

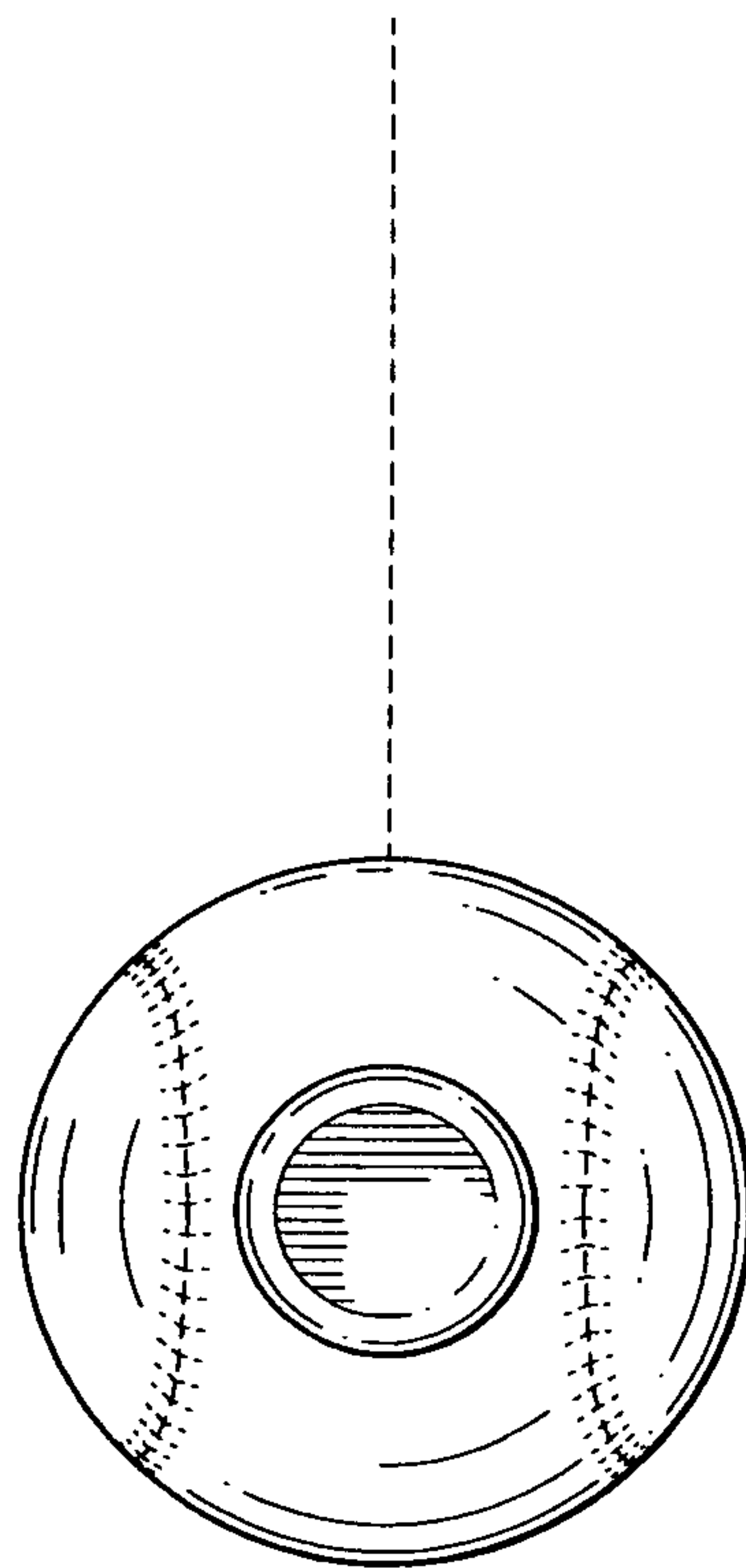


FIG. 5

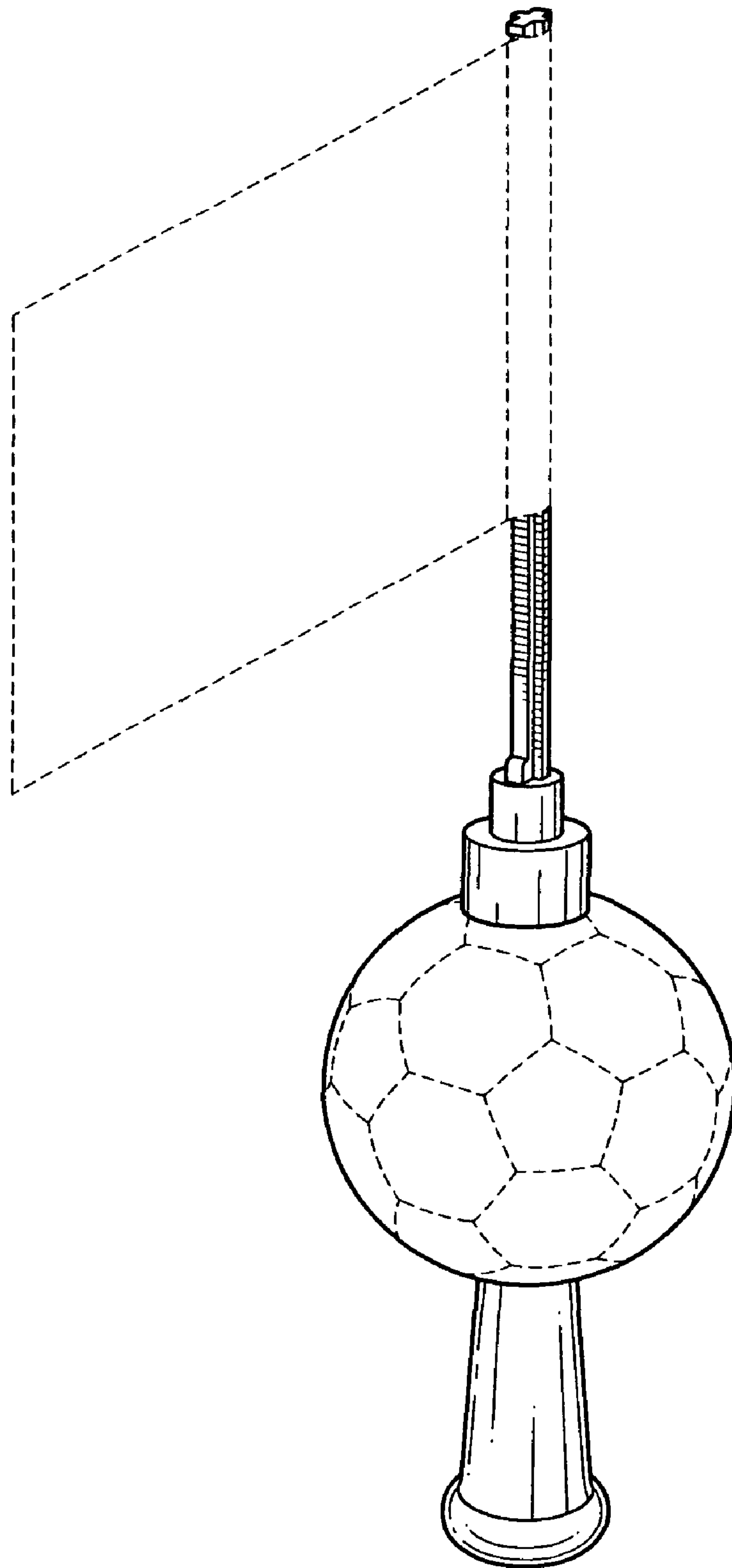


FIG. 6