



US00D636026S

(12) **United States Design Patent**  
**Johnson**

(10) **Patent No.:** **US D636,026 S**

(45) **Date of Patent:** **\*\* Apr. 12, 2011**

(54) **WALL HANGING DEVICE FOR HOLDING PAPERS**

(75) Inventor: **David Brian Johnson**, Rickmansworth (GB)

(73) Assignee: **Christopher David Ogle**, Watford (GB)

(\*\*) Term: **14 Years**

(21) Appl. No.: **29/352,830**

(22) Filed: **Dec. 28, 2009**

(30) **Foreign Application Priority Data**

Jul. 1, 2009 (EM) ..... 001566993

(51) **LOC (9) Cl.** ..... **19-01**

(52) **U.S. Cl.** ..... **D19/90**

(58) **Field of Classification Search** ..... D6/512-514,  
D6/553, 566; D19/32, 65, 86-92; 24/67 R,  
24/67.1, 67.3, 67.5, 67.7, 67.9, 67.11, 511,  
24/563, 570, DIG. 8, DIG. 9; 40/652, 658,  
40/661.09, 666

See application file for complete search history.

(56) **References Cited**

**U.S. PATENT DOCUMENTS**

D344,673 S \* 3/1994 Effron ..... D6/566  
D383,274 S \* 9/1997 Wilson ..... D6/513  
D422,025 S \* 3/2000 Dembicks ..... D19/90

D430,899 S \* 9/2000 Miller ..... D19/90  
D456,043 S \* 4/2002 Kennedy ..... D19/90  
D475,412 S \* 6/2003 Henshaw et al. .... D19/90  
D594,064 S \* 6/2009 Goodman et al. .... D19/90

\* cited by examiner

*Primary Examiner* — Brian N Vinson

(74) *Attorney, Agent, or Firm* — Christie, Parker & Hale, LLP

(57) **CLAIM**

The ornamental design for a wall hanging device for holding papers, as shown and described.

**DESCRIPTION**

FIG. 1 is a top, front, and left side perspective view of a wall hanging device for holding papers showing my new design; FIG. 2 is a bottom, rear, and right side perspective view thereof;

FIG. 3 is a front elevational view thereof;

FIG. 4 is a rear elevational view thereof;

FIG. 5 is a top plan view thereof;

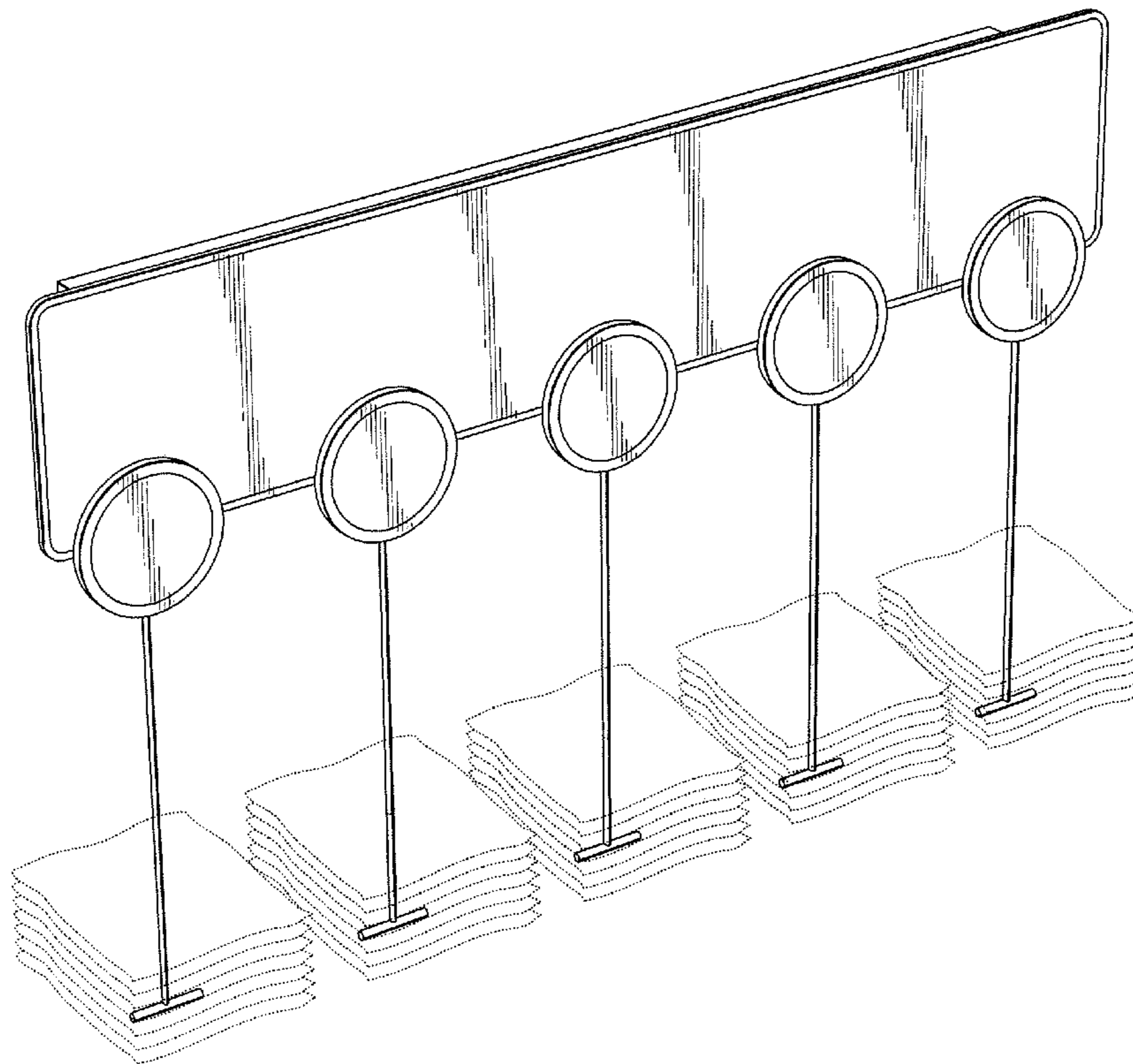
FIG. 6 is a bottom plan view thereof;

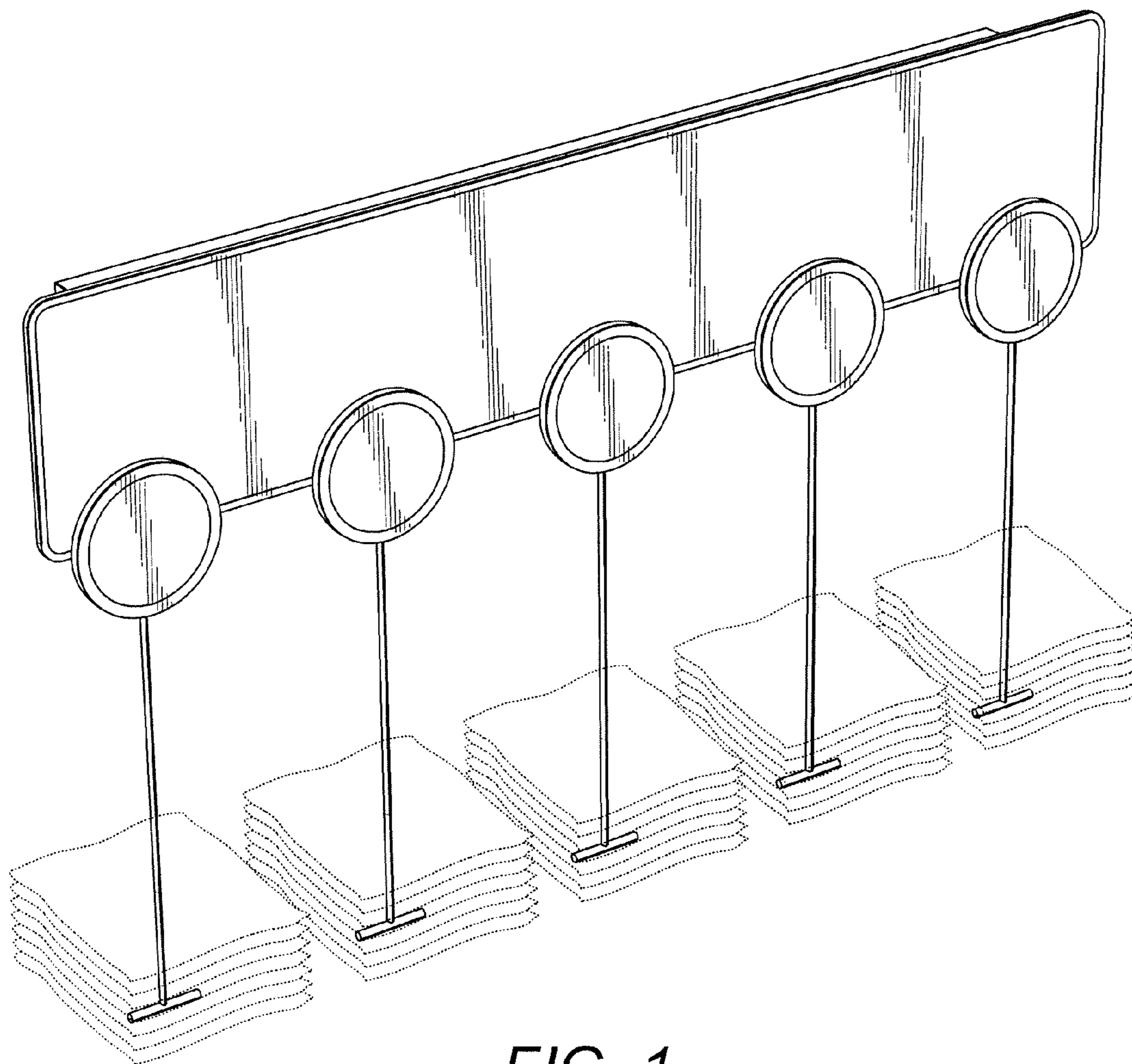
FIG. 7 is a left side elevational view thereof; and,

FIG. 8 is a right side elevational view thereof.

The broken-line disclosure of papers is for environmental purposes only and forms no part of the claimed design, while the remaining broken-line disclosure is understood to be part of the article in which the claimed design is embodied, but which forms no part of the claimed design.

**1 Claim, 4 Drawing Sheets**





*FIG. 1*

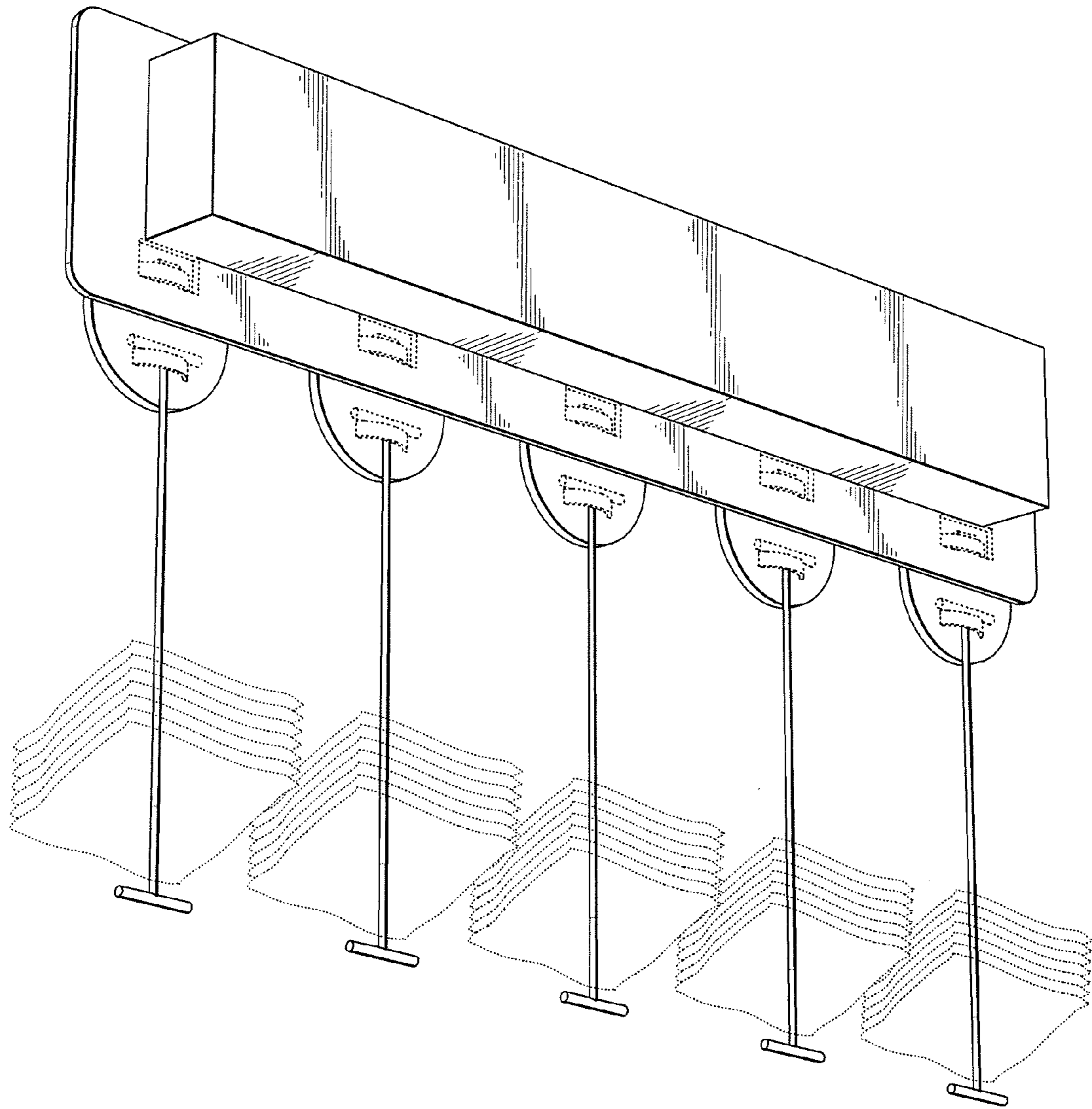


FIG. 2

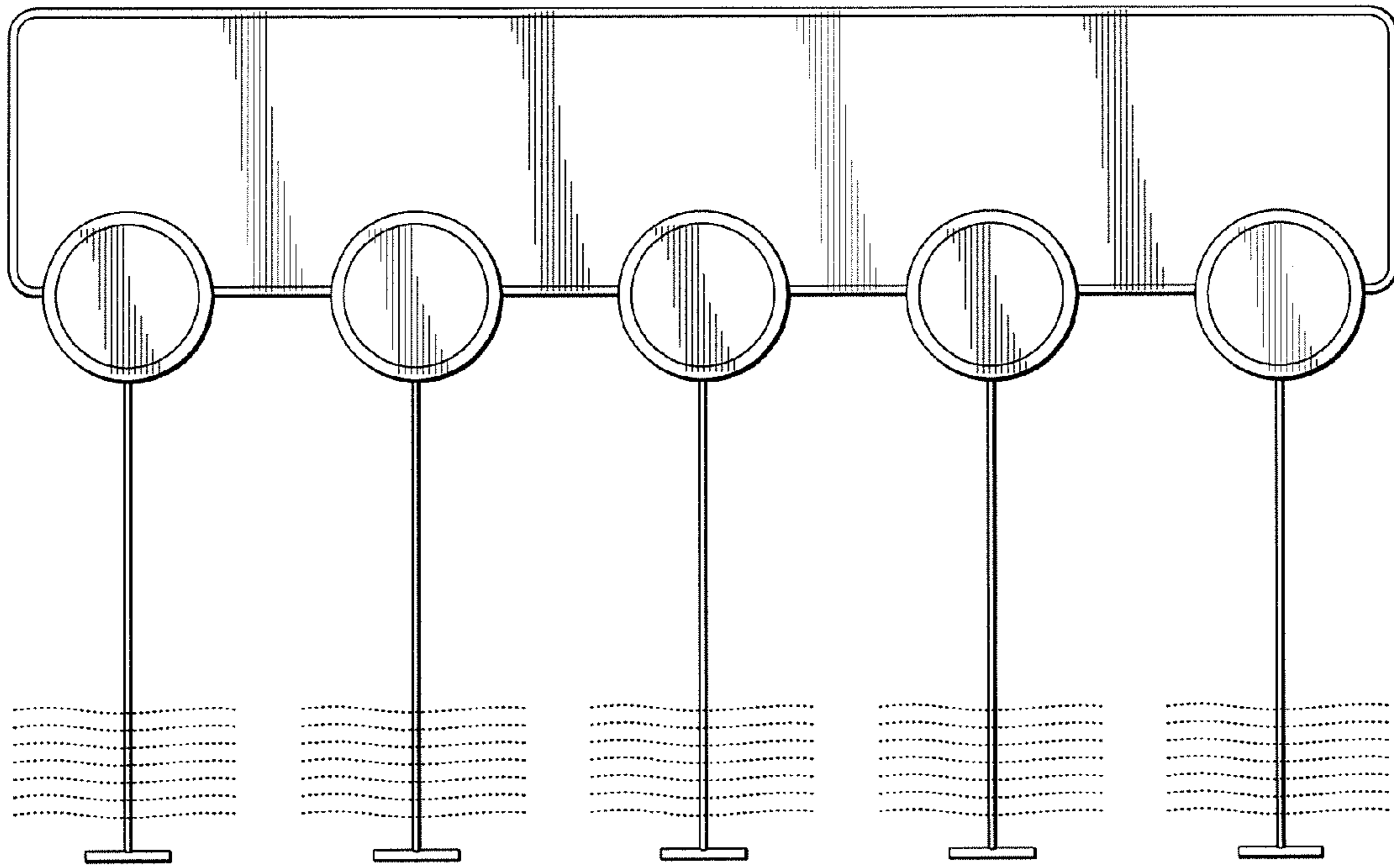


FIG. 3

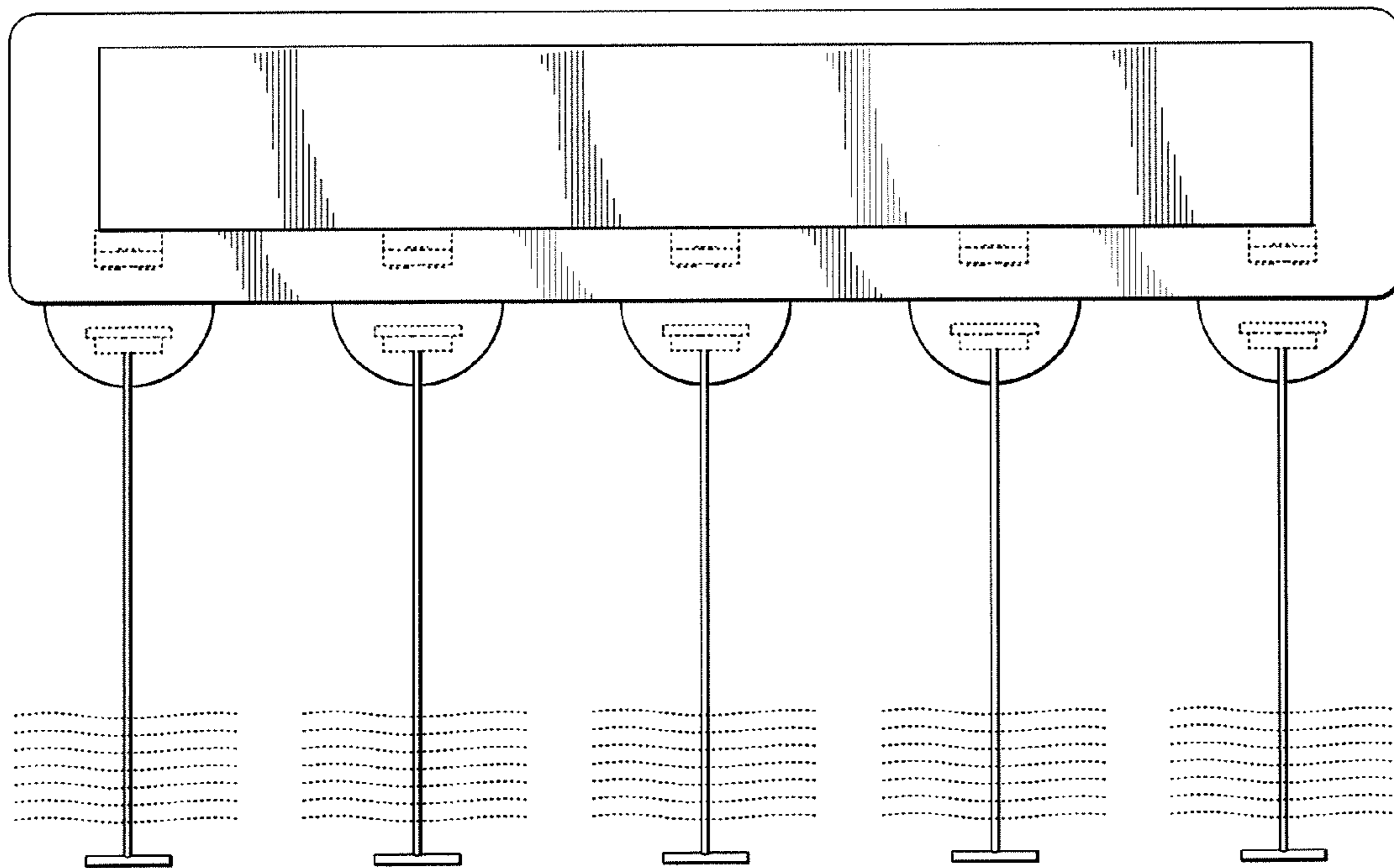


FIG. 4

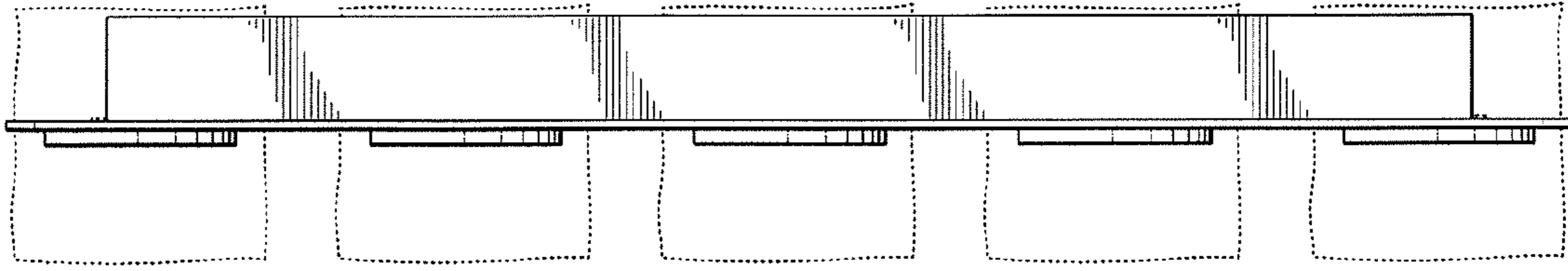


FIG. 5

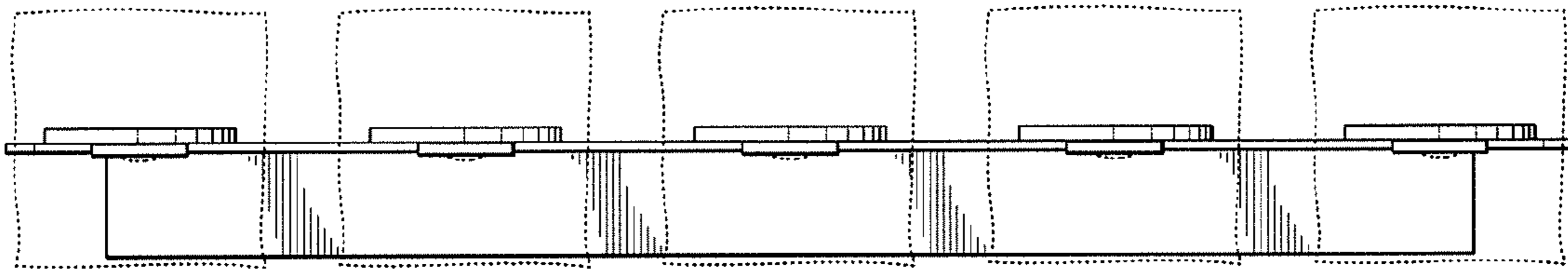


FIG. 6

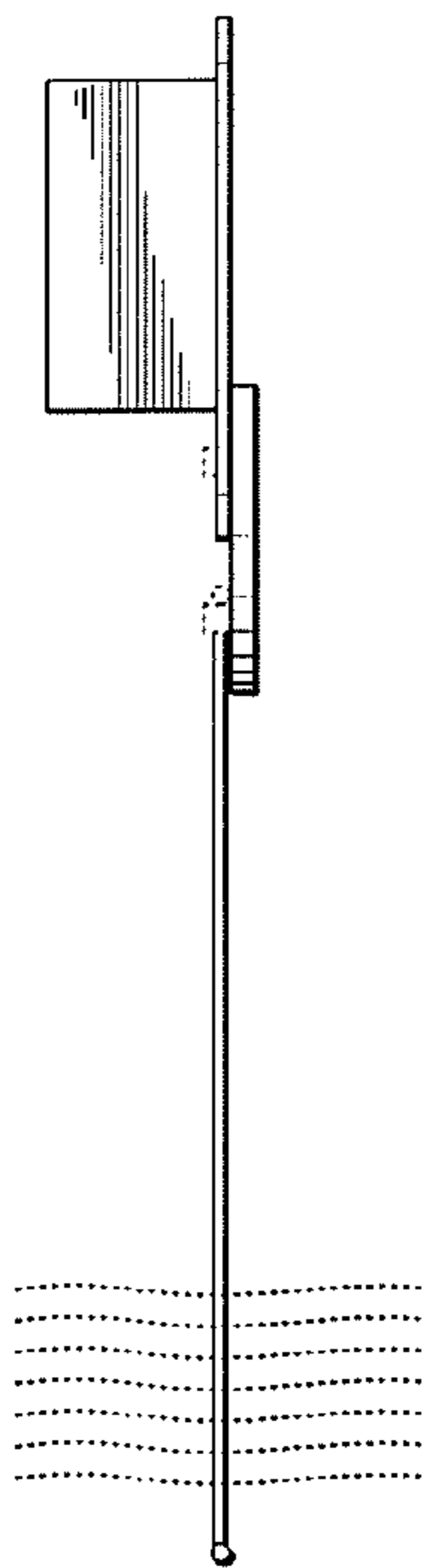


FIG. 7

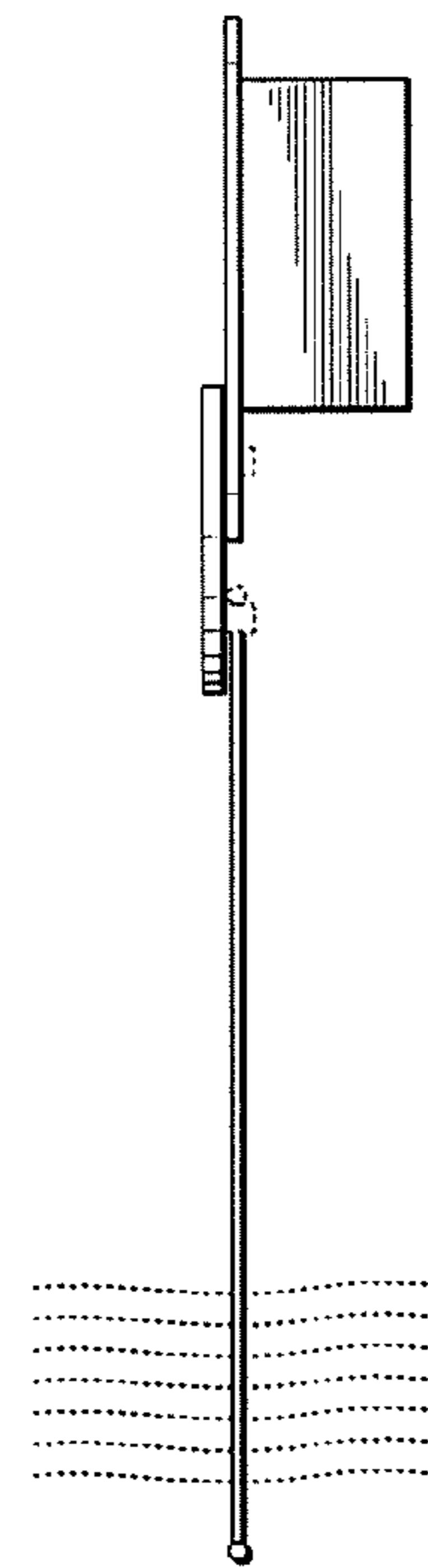


FIG. 8