



US00D636021S

(12) **United States Design Patent**
Antonio

(10) **Patent No.:** **US D636,021 S**
(45) **Date of Patent:** **** Apr. 12, 2011**

(54) **ECO-FRIENDLY TRANSACTION DEVICE**

(75) Inventor: **Brenda W. Antonio**, New Castle, DE
(US)

(73) Assignee: **JPMorgan Chase Bank, N.A.**, New
York, NY (US)

(**) Term: **14 Years**

(21) Appl. No.: **29/321,522**

(22) Filed: **Jul. 17, 2008**

(51) **LOC (9) Cl.** **19-08**

(52) **U.S. Cl.** **D19/10**

(58) **Field of Classification Search** D19/1-34;
40/124.01-124.15, 672, 661, 726, 776; 283/72,
283/74, 75, 103, 105, 106; 206/449; D21/385;
D20/10, 22, 27, 40, 42, 11; D14/435-437
See application file for complete search history.

(56) **References Cited**

U.S. PATENT DOCUMENTS

3,287,839	A	11/1966	Rotwein et al.	
3,468,046	A *	9/1969	Makishima	283/89
3,532,543	A	10/1970	Nole et al.	
3,537,195	A	11/1970	Gerds	
3,546,022	A	12/1970	Busch et al.	
3,556,563	A *	1/1971	Scheinberg et al.	283/67
3,713,235	A	1/1973	Roberts	
3,806,369	A	4/1974	Dey et al.	
3,855,033	A	12/1974	Staats	
3,894,756	A *	7/1975	Ward	283/86
4,058,839	A	11/1977	Darjany	
D259,048	S	4/1981	Peterson	
4,380,699	A	4/1983	Monnier et al.	
D270,546	S	9/1983	Malmberg	
4,482,985	A	11/1984	Itoh et al.	
4,507,346	A *	3/1985	Maurer et al.	428/158
4,523,297	A	6/1985	Ugon et al.	
4,544,834	A	10/1985	Newport et al.	

(Continued)

FOREIGN PATENT DOCUMENTS

DE 102006015818 10/2007
(Continued)

OTHER PUBLICATIONS

Epper, A Player Goes After Big Bucks in Cyberspace, *American Banker*, vol. 160, No. 86, ISSN: 0002-7561, May 5, 1995, p. 17.

(Continued)

Primary Examiner — T. Chase Nelson

(74) *Attorney, Agent, or Firm* — Hunton & Williams LLP

(57) **CLAIM**

The ornamental design for an eco-friendly transaction device, as shown and described.

DESCRIPTION

FIG. 1 depicts a perspective view of a back face of an eco-friendly transaction device.

FIG. 2 depicts a front elevational view of FIG. 1.

FIG. 3 depicts a back elevational view of FIG. 1.

FIG. 4 depicts a bottom plan view of FIG. 1.

FIG. 5 depicts a top plan view of FIG. 1.

FIG. 6 depicts a side elevational view of FIG. 1.

FIG. 7 depicts an opposite side elevational view of FIG. 1.

FIG. 8 depicts a perspective view of the eco-friendly transaction device of the preceding figures in condition of use with unclaimed environmental structure.

FIG. 9 depicts a front elevational view of FIG. 8.

FIG. 10 depicts a back elevational view of FIG. 8.

FIG. 11 depicts a side elevational view of FIG. 8.

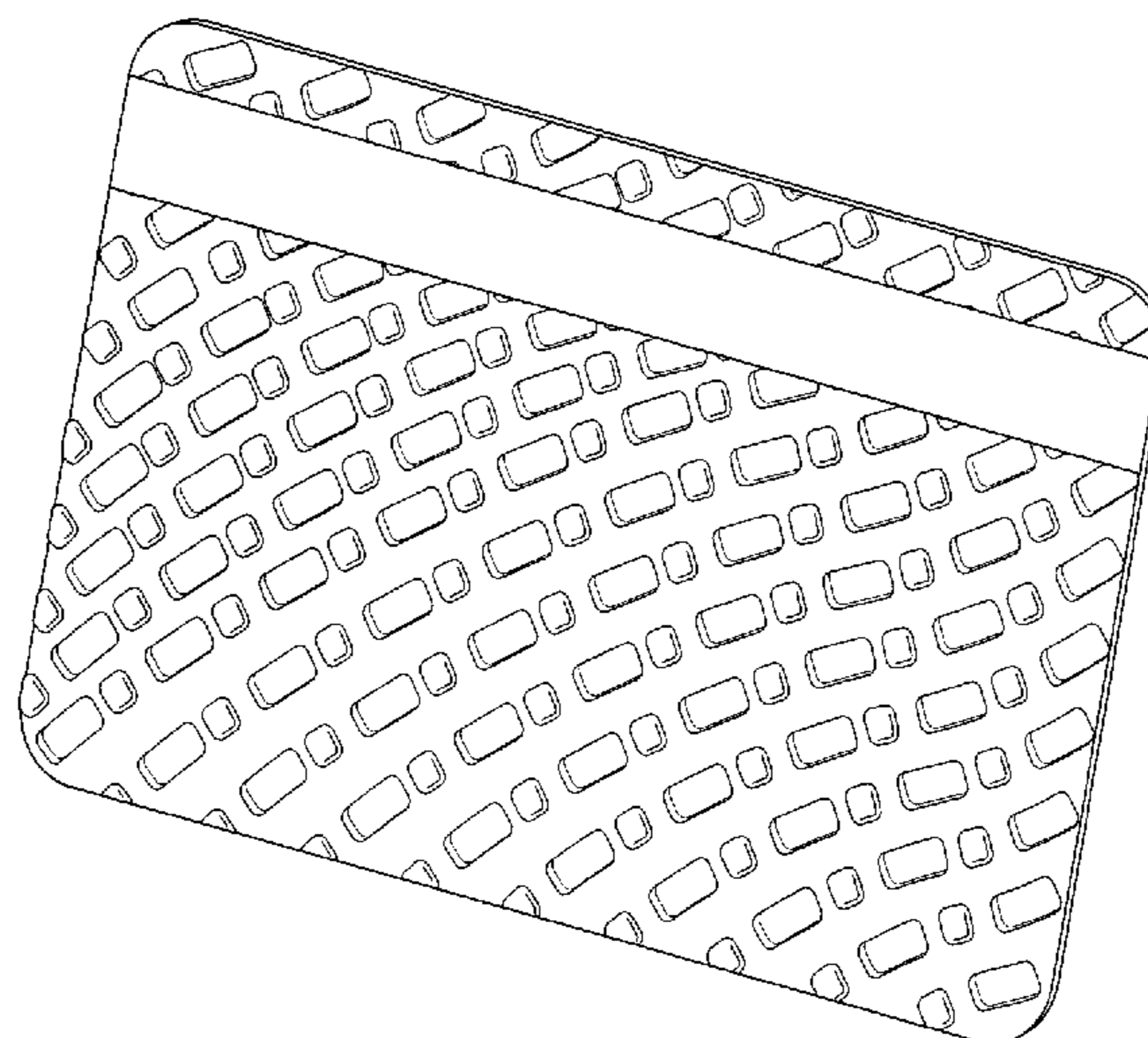
FIG. 12 depicts an opposite side elevational view of FIG. 8.

FIG. 13 depicts a bottom plan view of FIG. 8; and,

FIG. 14 depicts a top plan view of FIG. 8.

The broken lines upon the surface of the eco-friendly transaction device depict portions of the device that form no part of the claimed design. Additional broken lines in FIG. 8 through 14 depict environmental structure that also forms no part of the claimed design.

1 Claim, 9 Drawing Sheets



US D636,021 S

U.S. PATENT DOCUMENTS						
4,545,838	A	10/1985	Minkus et al.	5,359,183 A	10/1994	Skodlar
4,575,127	A	3/1986	Michel	5,383,687 A	1/1995	Suess et al.
4,579,754	A	4/1986	Maurer et al.	5,396,650 A	3/1995	Terauchi
4,582,985	A	4/1986	Lofberg	5,399,502 A	3/1995	Friend et al.
4,605,844	A	8/1986	Haggan	5,401,827 A	3/1995	Holmes et al.
4,614,861	A	9/1986	Pavlov et al.	5,412,192 A	5/1995	Hoss
4,634,845	A	1/1987	Riley	D359,305 S	6/1995	Finkelstein
4,643,452	A	2/1987	Chang	5,425,497 A	6/1995	Sorensen
4,647,714	A	3/1987	Goto	5,450,479 A	9/1995	Alesio
4,648,189	A	3/1987	Michel	5,450,491 A	9/1995	McNair
4,650,219	A *	3/1987	Sigman 283/70	5,451,763 A	9/1995	Pickett et al.
4,650,981	A	3/1987	Foletta	5,466,919 A	11/1995	Hovakimian
4,672,891	A *	6/1987	Maurer et al. 101/32	5,477,038 A	12/1995	Levine et al.
4,689,478	A	8/1987	Hale et al.	5,488,571 A	1/1996	Jacobs
4,697,072	A	9/1987	Kawana	5,489,123 A	2/1996	Roshkoff
4,701,601	A	10/1987	Francini et al.	5,492,370 A	2/1996	Chatwin et al.
4,707,594	A	11/1987	Roth	5,495,981 A	3/1996	Warther
4,711,996	A	12/1987	Drexler	5,504,664 A	4/1996	Ostema
4,746,787	A	5/1988	Suto et al.	5,506,394 A	4/1996	Plesko
4,747,620	A	5/1988	Kay et al.	5,508,731 A	4/1996	Kohorn
4,750,036	A	6/1988	Martinez	5,510,828 A	4/1996	Lutterbach
4,752,676	A	6/1988	Leonard et al.	5,511,114 A	4/1996	Stimson et al.
4,754,418	A	6/1988	Hara	5,512,654 A	4/1996	Holmes et al.
4,755,661	A	7/1988	Ruebsam	5,513,102 A	4/1996	Auriemma
4,766,026	A *	8/1988	Lass et al. 428/203	5,516,598 A	5/1996	Visco et al.
4,766,293	A	8/1988	Boston	5,521,363 A	5/1996	Tannenbaum
4,777,563	A	10/1988	Teraoka et al.	5,523,179 A	6/1996	Chu
4,825,052	A	4/1989	Ugon	5,523,794 A	6/1996	Mankovitz
4,833,048	A	5/1989	Dejonghe et al.	5,530,232 A	6/1996	Taylor
4,849,618	A	7/1989	Namikawa et al.	5,530,235 A	6/1996	Stefik et al.
4,856,857	A	8/1989	Takeuchi et al.	5,532,689 A	7/1996	Bueno
4,859,837	A	8/1989	Halpern	5,535,147 A	7/1996	Jacobs
4,868,376	A	9/1989	Lessin et al.	5,544,246 A	8/1996	Mandelbaum et al.
4,876,441	A	10/1989	Hara et al.	5,559,313 A	9/1996	Claus et al.
4,897,533	A	1/1990	Lyszczarz	5,563,948 A	10/1996	Diehl
D305,887	S	2/1990	Nishimura	5,568,441 A	10/1996	Sanemitsu
4,916,296	A	4/1990	Streck	5,569,898 A	10/1996	Fisher et al.
4,922,111	A	5/1990	Kuwano	5,572,004 A	11/1996	Raimann
4,923,288	A	5/1990	Allen et al.	5,577,109 A	11/1996	Stimson et al.
4,928,001	A	5/1990	Masada	5,578,808 A	11/1996	Taylor
4,931,623	A	6/1990	Nakamura et al.	5,582,623 A	12/1996	Chu
4,938,830	A *	7/1990	Cannistra 156/270	5,585,787 A	12/1996	Wallerstein
D310,386	S	9/1990	Michels et al.	5,590,038 A	12/1996	Pitroda
4,954,985	A	9/1990	Yamazaki	5,594,493 A	1/1997	Nemirofsky
4,968,873	A	11/1990	Dethloff et al.	5,604,542 A	2/1997	Dedrick
4,977,455	A	12/1990	Young	5,613,095 A	3/1997	Moss et al.
4,978,401	A	12/1990	Bonomi	5,621,787 A	4/1997	McKoy et al.
4,988,126	A *	1/1991	Heckenkamp et al. 283/92	5,629,977 A	5/1997	Fonseca
4,999,617	A	3/1991	Uemura	5,649,118 A	7/1997	Carlisle et al.
5,025,373	A	6/1991	Keyser, Jr.	5,652,602 A	7/1997	Fishman
5,047,614	A	9/1991	Bianco	5,663,766 A	9/1997	Sizer, II
5,049,728	A	9/1991	Rovin	5,664,110 A	9/1997	Green et al.
5,055,662	A	10/1991	Hasegawa	5,664,157 A	9/1997	Takahira et al.
5,080,748	A	1/1992	Bonomi	5,672,678 A	9/1997	Holmes et al.
5,095,194	A	3/1992	Barbanell	5,684,291 A	11/1997	Taskett
5,096,228	A *	3/1992	Rinderknecht 283/75	5,689,100 A	11/1997	Carrithers et al.
5,097,115	A	3/1992	Ogasawara et al.	5,690,412 A	11/1997	Sheldon
5,154,731	A	10/1992	Winger	5,700,037 A	12/1997	Keller
5,162,175	A	11/1992	Visco et al.	5,705,798 A	1/1998	Tarbox
5,168,151	A	12/1992	Nara	5,710,458 A	1/1998	Iwasaki
5,173,589	A	12/1992	Diehl	5,721,768 A	2/1998	Stimson et al.
5,180,901	A	1/1993	Hiramatsu	5,721,781 A	2/1998	Deo et al.
5,192,947	A	3/1993	Neustein	5,727,153 A	3/1998	Powell
5,227,614	A	7/1993	Danielson	5,728,998 A	3/1998	Novis et al.
5,233,654	A	8/1993	Harvey et al.	5,734,154 A	3/1998	Jachimowicz et al.
5,241,161	A	8/1993	Zuta	5,735,550 A *	4/1998	Hinkle 283/108
5,247,190	A	9/1993	Friend et al.	5,736,727 A	4/1998	Nakata
5,249,044	A	9/1993	Von Kohorn	5,736,728 A	4/1998	Matsubara
5,252,815	A	10/1993	Pernet	5,744,789 A	4/1998	Kashi
5,276,311	A	1/1994	Hennige	5,751,953 A	5/1998	Sheils
5,285,278	A	2/1994	Holman	5,760,361 A	6/1998	Dew et al.
5,287,181	A	2/1994	Holman	5,760,381 A	6/1998	Stich et al.
5,299,940	A	4/1994	Uenaka et al.	5,761,624 A	6/1998	Mooney
5,317,137	A	5/1994	Wilkins	5,763,862 A	6/1998	Jachimowicz
5,321,240	A	6/1994	Takahira	5,767,896 A	6/1998	Nemirofsky
5,328,809	A	7/1994	Holmes et al.	5,770,843 A	6/1998	Rose et al.
5,339,239	A	8/1994	Manabe et al.	5,770,849 A	6/1998	Novis et al.
5,340,969	A	8/1994	Cox	5,777,305 A	7/1998	Smith et al.
				5,777,306 A	7/1998	Masuda

US D636,021 S

5,777,903 A	7/1998	Piosenka et al.	D433,035 S	10/2000	Wilson	
5,778,067 A	7/1998	Jones et al.	D433,036 S	10/2000	Wilson	
D396,882 S	8/1998	Neal	D433,037 S	10/2000	Wilson	
5,789,732 A	8/1998	McMahon	D433,059 S	10/2000	Okumura et al.	
5,789,733 A	8/1998	Jachimowicz et al.	6,128,599 A	10/2000	Walker et al.	
5,793,502 A	8/1998	Bianco et al.	6,134,309 A	10/2000	Carson	
5,804,806 A	9/1998	Haddad	6,138,917 A	10/2000	Chapin, Jr.	
5,806,044 A	9/1998	Powell	D433,420 S	11/2000	Wilson	
5,806,045 A	9/1998	Biorge	D433,421 S	11/2000	Wilson	
5,807,627 A	9/1998	Friend et al.	D433,422 S	11/2000	Wilson	
5,815,127 A	9/1998	Jacobs	D433,423 S	11/2000	Wilson	
5,815,658 A	9/1998	Kuriyama	D433,424 S	11/2000	Wilson	
5,817,207 A	10/1998	Leighton	D434,041 S	11/2000	Burke	
5,819,234 A	10/1998	Slavin et al.	6,142,640 A	11/2000	Schofield	
5,844,230 A	12/1998	Lalonde	6,145,741 A	11/2000	Wisdom et al.	
5,854,595 A	12/1998	Williams	6,146,741 A	11/2000	Ogawa et al.	
5,857,079 A	1/1999	Claus et al.	6,159,570 A *	12/2000	Ulrich et al.	428/40.1
5,857,709 A	1/1999	Chock	6,161,870 A *	12/2000	Blank	283/75
5,859,419 A	1/1999	Wynn	6,164,548 A	12/2000	Curiel	
5,864,830 A	1/1999	Armetta et al.	6,169,975 B1	1/2001	White et al.	
D405,111 S	2/1999	Kara	6,170,745 B1	1/2001	Schilling	
5,870,155 A	2/1999	Erlin	D437,882 S	2/2001	Creighton	
5,877,941 A	3/1999	Ryu	6,188,309 B1	2/2001	Levine	
5,880,769 A	3/1999	Nemirofsky	6,189,787 B1	2/2001	Dorf	
5,883,377 A	3/1999	Chapin, Jr.	D438,563 S *	3/2001	Webb et al.	D19/10
5,883,810 A	3/1999	Franklin et al.	6,213,392 B1	4/2001	Zuppich	
5,884,271 A	3/1999	Pitroda	6,214,155 B1	4/2001	Leighton	
5,887,271 A	3/1999	Powell	D442,222 S	5/2001	Webb et al.	
5,890,135 A	3/1999	Powell	D442,627 S	5/2001	Webb et al.	
D408,054 S	4/1999	Leedy, Jr.	6,250,555 B1	6/2001	Inamoto	
5,901,303 A	5/1999	Chew	6,272,802 B1	8/2001	Berberich	
5,907,142 A	5/1999	Kelsey	D447,515 S	9/2001	Faenza et al.	
5,907,350 A	5/1999	Nemirofsky	6,294,241 B1	9/2001	Kaule et al.	
5,920,844 A	7/1999	Hotta et al.	D449,336 S	10/2001	Webb et al.	
5,930,217 A	7/1999	Kayanuma	6,298,336 B1	10/2001	Davis et al.	
5,952,639 A	9/1999	Ohki	6,308,887 B1	10/2001	Korman et al.	
5,952,641 A	9/1999	Korshun	6,315,193 B1	11/2001	Hogan	
5,953,710 A	9/1999	Fleming	6,315,195 B1	11/2001	Ramachandran	
5,955,961 A	9/1999	Wallerstein	6,318,536 B1	11/2001	Korman	
RE36,356 E	10/1999	Gloton et al.	6,328,342 B1	12/2001	Belousov et al.	
5,984,180 A	11/1999	Albrecht	6,337,752 B1	1/2002	Heckenkamp et al.	
5,984,191 A	11/1999	Chapin, Jr.	6,382,506 B1	5/2002	Van Der Valk	
5,988,503 A	11/1999	Kuo	6,402,039 B1	6/2002	Freeman et al.	
5,988,509 A	11/1999	Taskett	6,422,462 B1	7/2002	Cohen	
5,995,372 A	11/1999	Asakura	6,424,029 B1	7/2002	Giesler	
6,000,608 A	12/1999	Dorf	6,441,736 B1	8/2002	Leighton	
6,002,383 A	12/1999	Shimada	D462,477 S	9/2002	Osborne	
6,003,770 A	12/1999	Schilling	D462,714 S	9/2002	Creighton	
6,004,681 A	12/1999	Epstein et al.	6,467,684 B2	10/2002	Fite et al.	
6,005,183 A	12/1999	Akai et al.	6,471,128 B1	10/2002	Corcoran et al.	
6,006,456 A *	12/1999	Hiromachi et al.	6,473,500 B1	10/2002	Risafi et al.	40/124.01
6,006,988 A	12/1999	Behrmann et al.	6,482,330 B1	11/2002	Bajorek	
6,016,954 A	1/2000	Abe et al.	D466,929 S	12/2002	Haas	
6,019,284 A	2/2000	Freeman et al.	D467,247 S	12/2002	Pentz	
6,025,283 A	2/2000	Roberts	D467,271 S	12/2002	Haas	
6,027,028 A	2/2000	Pieterse et al.	D467,272 S	12/2002	Haas	
6,032,136 A	2/2000	Brake, Jr. et al.	6,492,717 B1	12/2002	Gore et al.	
6,036,099 A	3/2000	Leighton	6,514,367 B1	2/2003	Leighton	
6,045,042 A	4/2000	Ohno	6,533,180 B1	3/2003	Wood	
6,049,463 A	4/2000	O'Malley et al.	6,549,912 B1	4/2003	Chen	
6,068,183 A	5/2000	Freeman et al.	D474,235 S	5/2003	Haas	
6,068,301 A	5/2000	Han et al.	6,557,766 B1	5/2003	Leighton	
D427,167 S	6/2000	Iwasaki	6,561,657 B1	5/2003	Schofield	
6,087,954 A	7/2000	McSpadden et al.	D476,681 S	7/2003	Al Amri	
6,089,284 A	7/2000	Kaehler et al.	D476,683 S	7/2003	Kilburn	
6,091,817 A	7/2000	Bertina et al.	D477,359 S *	7/2003	Haas	D19/10
6,095,072 A	8/2000	Kaufhold	6,592,044 B1	7/2003	Wong et al.	
6,095,412 A	8/2000	Bertina et al.	6,609,658 B1	8/2003	Sehr	
D431,039 S	9/2000	Wilson	D481,068 S	10/2003	Blossom et al.	
D431,252 S	9/2000	Wilson	6,631,849 B2	10/2003	Blossom	
6,121,069 A	9/2000	Boyko et al.	6,640,974 B2 *	11/2003	Malone	206/449
D431,573 S	10/2000	Wilson	6,641,049 B2	11/2003	Luu	
D432,141 S	10/2000	Wilson	6,641,050 B2	11/2003	Kelley et al.	
D432,548 S	10/2000	Wilson	6,644,551 B2	11/2003	Clayman et al.	
D432,552 S	10/2000	Wilson	6,655,598 B1	12/2003	Curiel	
D433,031 S	10/2000	Wilson	D485,573 S	1/2004	Li	
D433,032 S	10/2000	Wilson	D486,179 S	2/2004	True	
D433,033 S	10/2000	Wilson	D486,515 S	2/2004	True	
D433,034 S	10/2000	Wilson	6,702,181 B2	3/2004	Ramachandran	

6,715,797 B2 4/2004 Curiel
 6,732,919 B2 5/2004 Macklin et al.
 6,734,887 B2 5/2004 Field
 D493,195 S 7/2004 Creighton
 6,764,014 B2 7/2004 Lasch et al.
 D494,326 S 8/2004 Long
 D495,736 S 9/2004 Scharf
 6,796,490 B1 9/2004 Drummond et al.
 6,802,008 B1 10/2004 Ikerfuji et al.
 6,805,287 B2 10/2004 Bishop et al.
 6,865,547 B1 3/2005 Brake, Jr. et al.
 D505,450 S * 5/2005 Lauer et al. D19/9
 6,895,386 B1 5/2005 Bachman et al.
 D507,598 S * 7/2005 Allard et al. D19/10
 6,942,156 B2 9/2005 Ohta et al.
 6,957,334 B1 10/2005 Goldstein
 6,965,868 B1 11/2005 Bednarek
 D512,456 S * 12/2005 Diaz et al. D19/10
 D514,619 S * 2/2006 Brink et al. D19/9
 D517,602 S 3/2006 Brink et al.
 7,025,256 B1 4/2006 Drummond et al.
 D522,052 S * 5/2006 Lubking D19/10
 7,040,533 B1 5/2006 Ramachandran
 7,051,929 B2 5/2006 Li
 D523,472 S 6/2006 Brink et al.
 D524,860 S * 7/2006 Risafi et al. D19/9
 7,072,864 B2 7/2006 Brake, Jr. et al.
 D526,012 S 8/2006 Dorr et al.
 D526,016 S 8/2006 Allard et al.
 7,104,443 B1 9/2006 Paul et al.
 D530,741 S 10/2006 Blossom
 D533,220 S 12/2006 Graves et al.
 7,150,393 B1 12/2006 Drummond et al.
 7,163,153 B2 1/2007 Blossom
 D538,349 S 3/2007 Hollands
 7,191,952 B2 3/2007 Blossom
 D551,705 S 9/2007 Mershon
 7,306,163 B2 12/2007 Scholz et al.
 D562,888 S 2/2008 Brown et al.
 7,357,331 B2 4/2008 Blossom
 D569,423 S * 5/2008 Lasch et al. D19/9
 D569,902 S * 5/2008 Chang et al. D19/2
 D572,305 S 7/2008 Lasch et al.
 D573,182 S * 7/2008 Ricketts et al. D19/10
 D576,671 S * 9/2008 Field et al. D19/10
 D578,159 S * 10/2008 Hachey et al. D19/10
 D582,475 S * 12/2008 Guest D19/10
 D582,476 S * 12/2008 Field et al. D19/10
 D582,977 S 12/2008 Field et al.
 7,479,320 B2 1/2009 Keller et al.
 7,494,057 B2 2/2009 Lasch et al.
 7,530,491 B2 5/2009 Lasch et al.
 7,588,184 B2 9/2009 Gandel et al.
 7,591,416 B2 9/2009 Blossom
 D602,522 S 10/2009 Field et al.
 D602,986 S * 10/2009 Skelding et al. D19/9
 D604,983 S 12/2009 Rossell
 D620,975 S * 8/2010 Skelding et al. D19/10
 2001/0011250 A1 8/2001 Paltenghe et al.
 2002/0116330 A1 8/2002 Hed et al.
 2002/0117846 A1 8/2002 Kaule et al.
 2002/0149196 A1 10/2002 Fabel
 2003/0024995 A1 2/2003 Conner et al.
 2003/0047253 A1 3/2003 Robinson et al.
 2003/0053609 A1 3/2003 Risafi et al.
 2003/0085286 A1 5/2003 Kelley et al.
 2003/0200180 A1 10/2003 Phelan, III et al.
 2003/0202151 A1 10/2003 Hinata
 2003/0218066 A1 11/2003 Fernandes et al.
 2004/0024672 A1 2/2004 Brake, Jr. et al.
 2004/0026915 A1 * 2/2004 Thompson et al. 283/51
 2004/0049451 A1 3/2004 Berardi
 2004/0121257 A1 6/2004 Kaminsky et al.
 2004/0159709 A1 8/2004 Ohta et al.
 2004/0217178 A1 11/2004 Lasch et al.
 2005/0012326 A1 1/2005 Keller et al.
 2005/0194453 A1 9/2005 Conner et al.
 2006/0102729 A1 5/2006 Gandel et al.
 2006/0124753 A1 6/2006 Scholz et al.

2006/0214008 A1 9/2006 Asami et al.
 2007/0020443 A1 1/2007 Lo
 2007/0096457 A1 * 5/2007 Cahill 283/72
 2007/0170264 A1 7/2007 Lasch et al.
 2007/0203825 A1 8/2007 Hanifin et al.
 2008/0245865 A1 10/2008 Mosteller
 2009/0230195 A1 9/2009 Lasch et al.
 2009/0242645 A1 10/2009 Komatsu et al.
 2009/0261161 A1 10/2009 Blossom
 2010/0283233 A1 11/2010 Jokinen
 2010/0308571 A1 12/2010 Steenblik et al.

FOREIGN PATENT DOCUMENTS

EP	0855659	7/1998
JP	1087397	3/1989
JP	8080680	3/1996
JP	8096098	4/1996
JP	2005246658	9/2005
WO	WO 97/20692	12/1996
WO	WO 98/37524	8/1998
WO	WO 2007/115725	10/2007

OTHER PUBLICATIONS

Sotto, An RFID Code of Conduct, RFID Journal, Featured Opinions, May 30, 2005.
 BSI2000 Files Patent Application for Optical Bank Card Press Release, printed Apr. 27, 2004.
 Brehl, Banks issue cash-card pledge, The Toronto Star, Oct. 9, 1997, 1 page.
 Card Flash, Daily Payment Card News, www.CardWeb.com, printed Aug. 10, 2004.
 Rosen, Cash Just Isn't Flexible Enough: Shops of the Future Will Only Take Cards, Daily Express, Technology Section, Feb. 10, 1995, 1 page.
 Hesseldahl, China Goes Smartcard Crazy, www.forbes.com, Jun. 12, 2001.
 E-Z Pass, Web page, http://www.ezpass.com-Disc_portNewYork.html, Nov. 12, 2001.
 E-Z Pass, Web page, http://www.ezpass.com-Disc_ny_annual.html, Nov. 12, 2001.
 E-Z Pass, Web page, <http://www.ezpass.com-frameMain.html>, Nov. 12, 2001.
 E-Z Pass, Web page, <http://www.ezpass.com-whatIs.html>, Nov. 12, 2001.
 Business Times, Electronic Purse Can Free You from ATM Drag, Business Times, www.btimes.co.za, printed Feb. 23, 2001, 1 page.
 Electronic Purse, SCIA (Smart Card Industry Association), About Smart Cards, www.scia.org, printed Feb. 23, 2001, 1 page.
 Sanchez-Klein, Electronic purse alliance planned, Computerworld Online News, Jul. 29, 1998, printed Feb. 23, 2001, 2 pages.
 Electronic purse card to be launched tomorrow, New Straits Times, News Clippings, Sep. 18, 1999, printed Feb. 23, 2001, 3 pages.
 Frequently asked questions, ECARD, www.eregard.com, printed Sep. 23, 2001, 7 pages.
 Machlis, Have it the smart way: Burger King program drives smart-card use, Computerworld, printed Feb. 23, 2001, 1 page.
 Nokia Announces the World's First NFC Enabled Mobile Product for Contactless Payment and Ticketing, PRNewswire, Feb. 9, 2005.
 Proton world and Europay to co-operate in creation of new CEPS-compliant e-purse application, Press Release 1999, Waterloo, Belgium, Jun. 28, 1999, 2 pages.
 Purse Application for Cross Border Use in Euro, Cordis, Pace 1st 1999-11531 Pace, www.cordis.lu, printed Feb. 23, 2001, 3 pages.
 RFID Tags, Contactless Smart Card Technology and Electronic Passports: Frequently Asked Questions, www.smartcardalliance.org, Feb. 17, 2005.
 RFID Tags, Contactless Smart Card Technology: Comparing and Contrasting Applications and Capabilities, www.smartcardalliance.org, Feb. 17, 2005.
 SK100 Smart Card Electronic Purse Balance Reader, SK100 Balance Reader, <http://perso.wanadoo.fr>, printed Feb. 23, 2001, 1 page.
 Gilhooly, Smart Cards, Smart Move?, Computerworld, May 21, 2001, pp. 1-5.

Smart card for loyalty and e-purse applications eclipses capability of conventional mag-stripe cards, Press Release, www.1.sib.com, Apr. 21, 1997, printed Feb. 23, 2001, 3 pages.

SmartAxis: Load Cash on to your E-Purse Card, Supported Currencies and Schemes, www.smartaxis.co.uk, printed Feb. 23, 2001, 9 pages.

Dvorak, Smartcards Get Smarter, www.forbes.com, Jun. 1, 2001.

Hesseldahl, Stock Focus: Smartcard Companies, www.forbes.com, Jun. 18, 2001.

The Electronic Purse Reaches the Car Park, <http://docs.vircom.net/mobility/parking>, printed Feb. 23, 2001, 2 pages.

Stuber, The electronic purse: An overview of recent development and issues, Bank of Canada, Technical Report No. 74, www.bankofcanada.ca, Jan. 1996, printed Feb. 23, 2001, 2 pages.

Transponders: Cash In A Flash, www.forbes.com, Jul. 31, 2001.

Hesseldahl, U.S. Getting Wise to Smart Cards, Forbes.com, May 25, 2000.

Understanding the benefits: Smartcity offers a number of important benefits to both the card issuers and their customers, <http://www.icl.com/smartcards/benefits.htm>, printed Feb. 27, 2001, 2 pages.

Visa first to launch electronic purse load via GSM mobile phone, www.cellular.co.za, Johannesburg, ZA, printed Feb. 23, 2001, 4 pages.

Hansell, Visa to unveil electronic purse cards, New York Times, printed Feb. 23, 2001, 2 pages.

Visa, MBNA and De La Rue Launch Multi-Function Smart Card Program, www.findarticles.com, Jul. 6, 1998.

Machlis et al., Will smart cards replace ATMS?, Computerworld, printed Feb. 23, 2001, 3 pages.

* cited by examiner

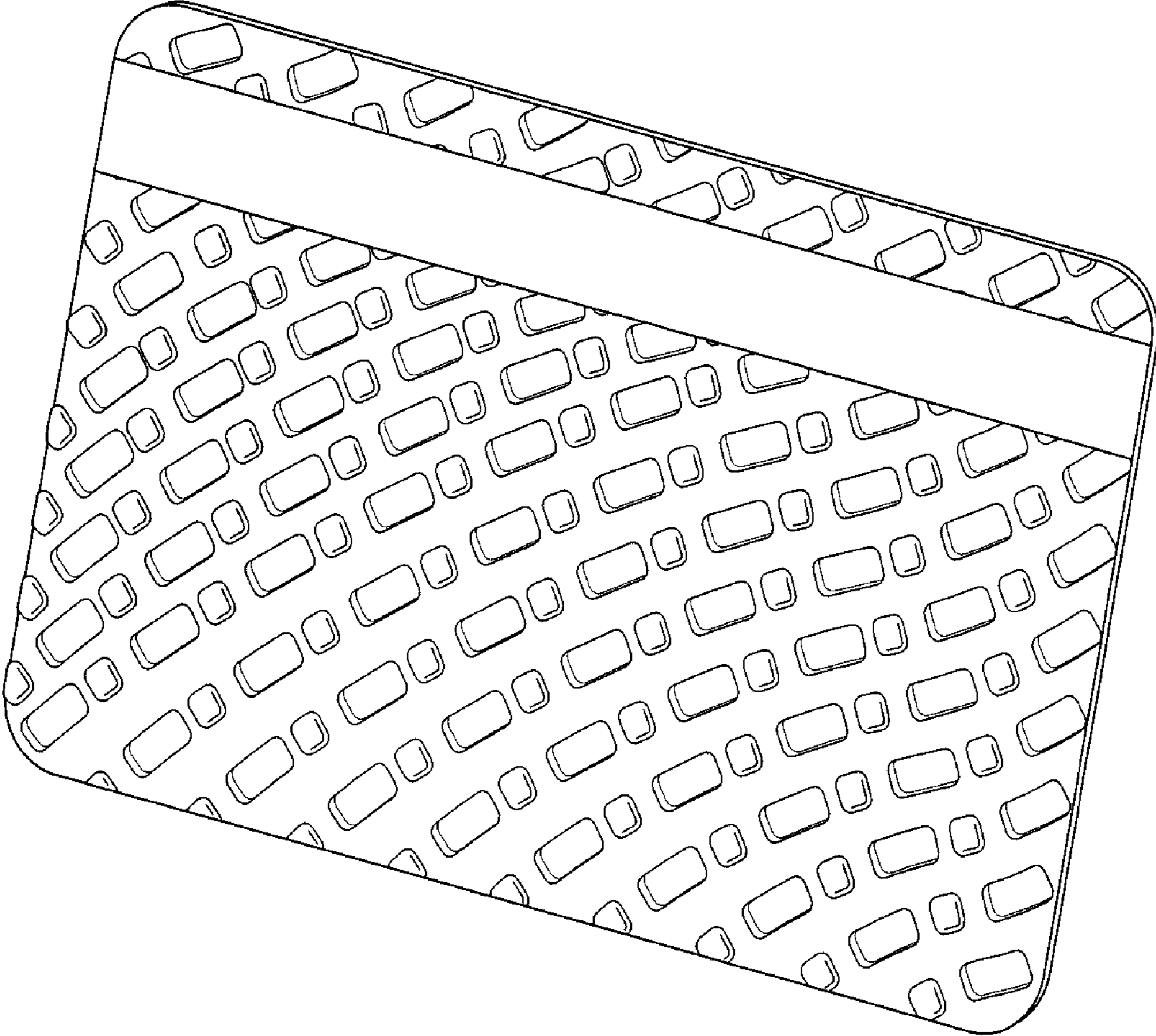


FIG. 1

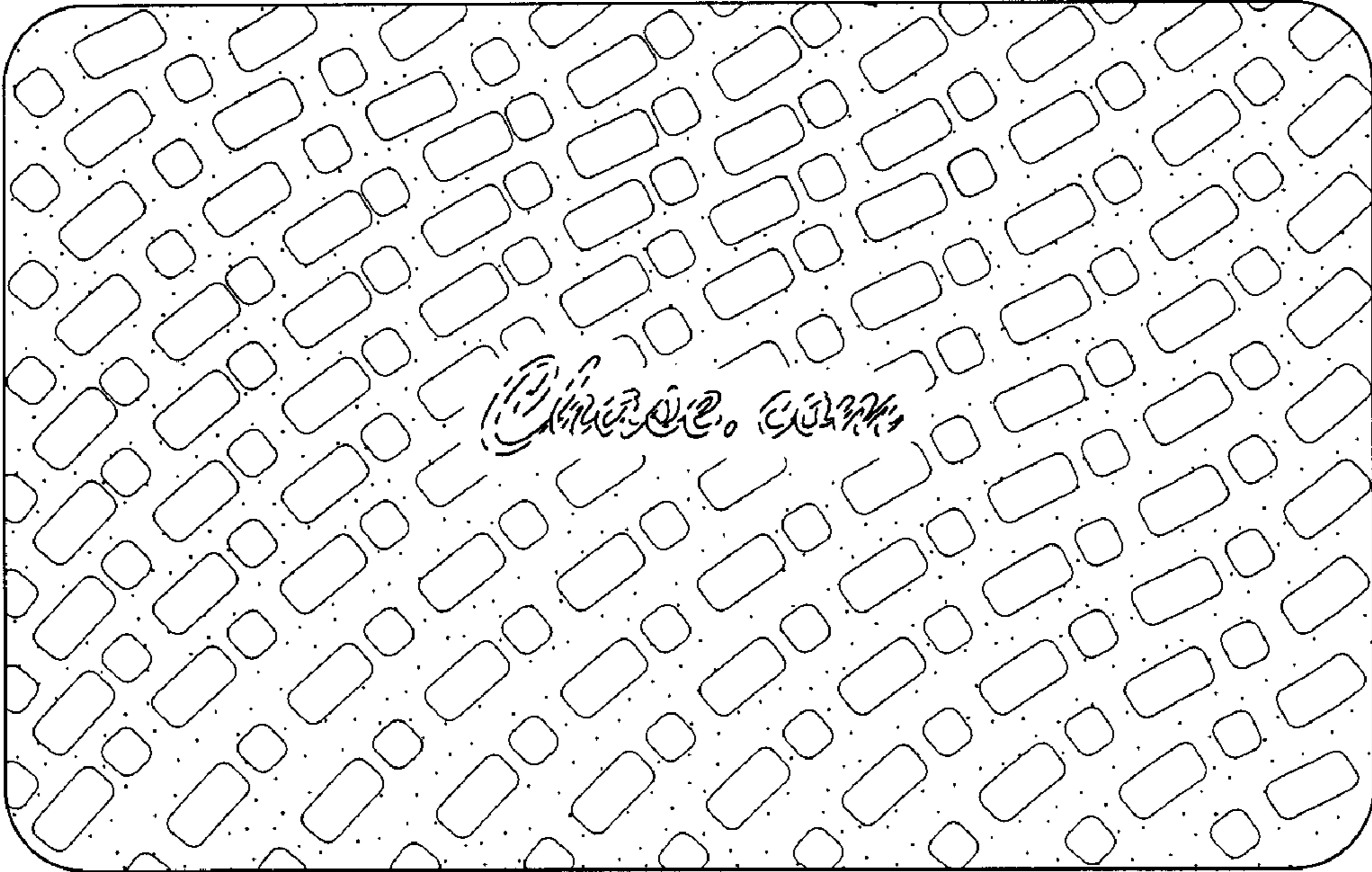


FIG. 2

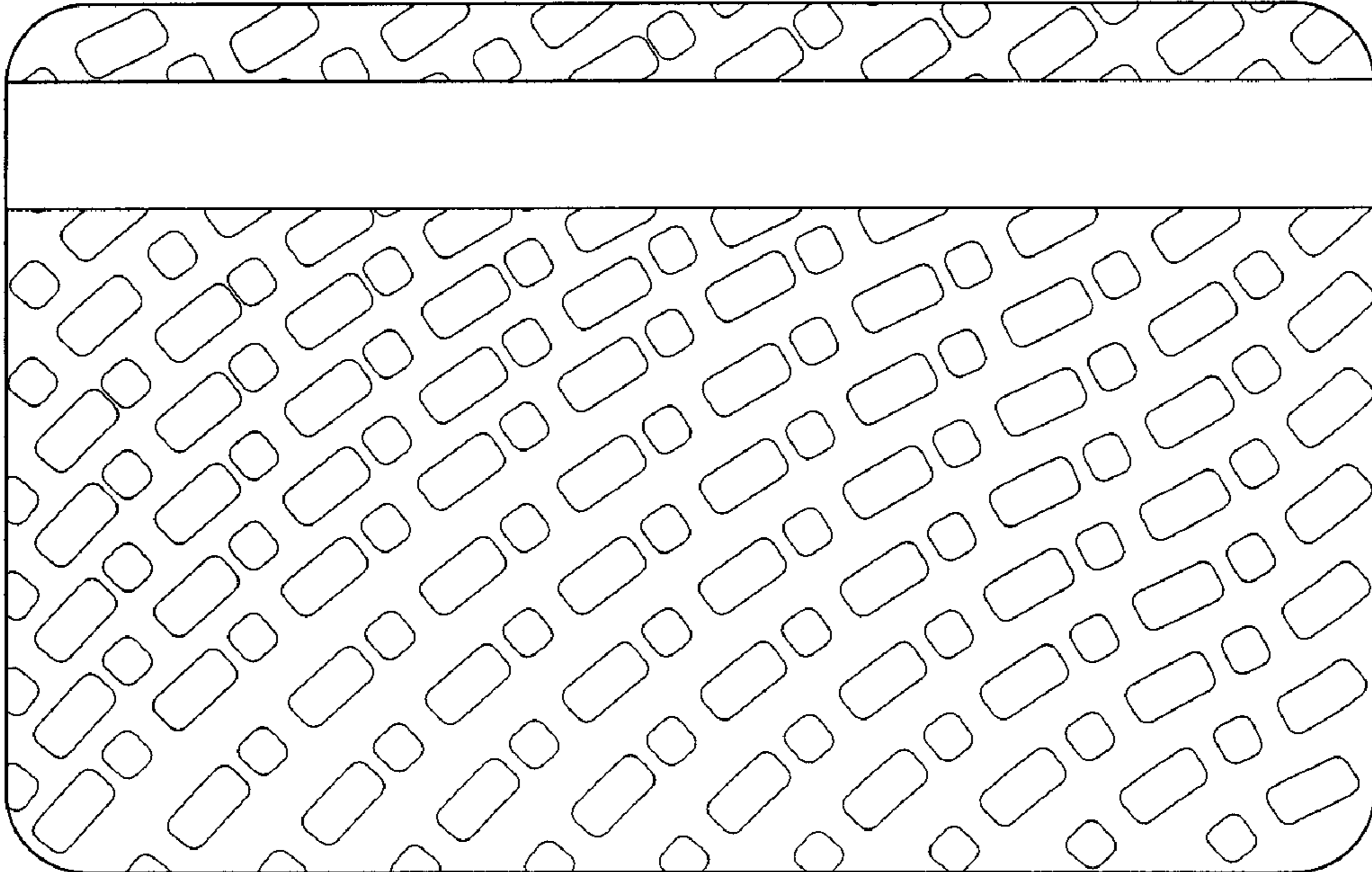


FIG. 3

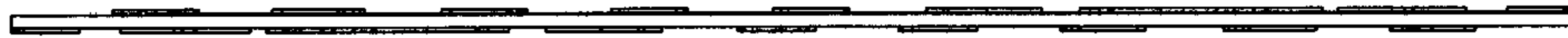


FIG. 4



FIG. 5



FIG. 6



FIG. 7

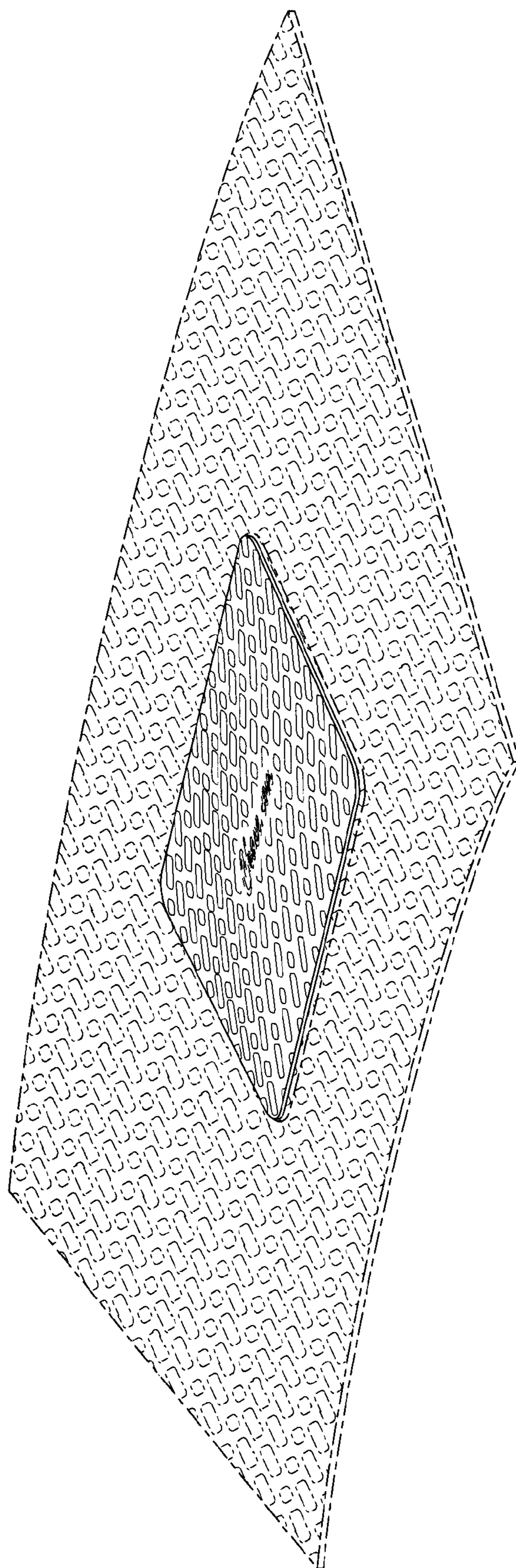


FIG. 8

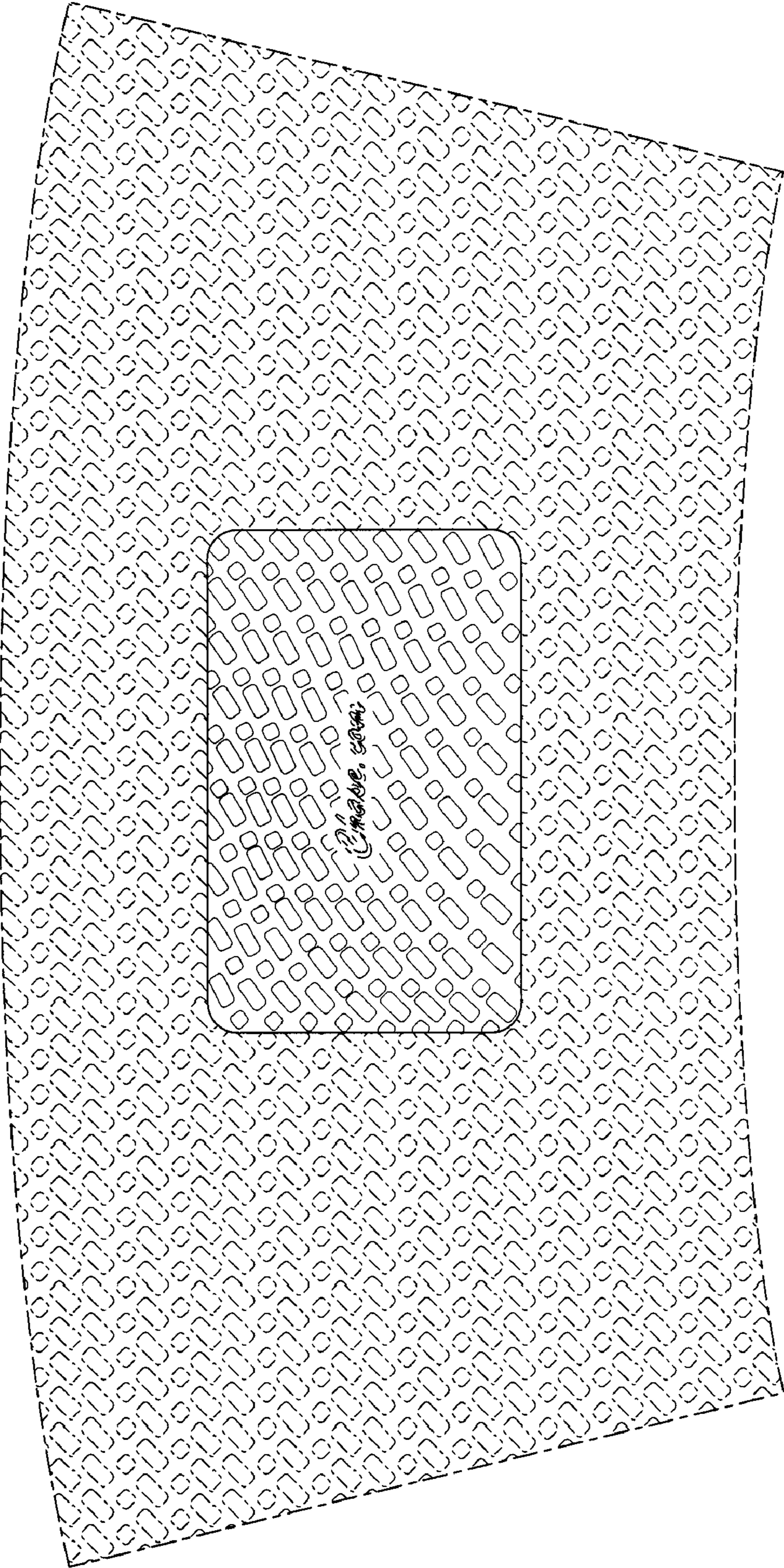


FIG. 9

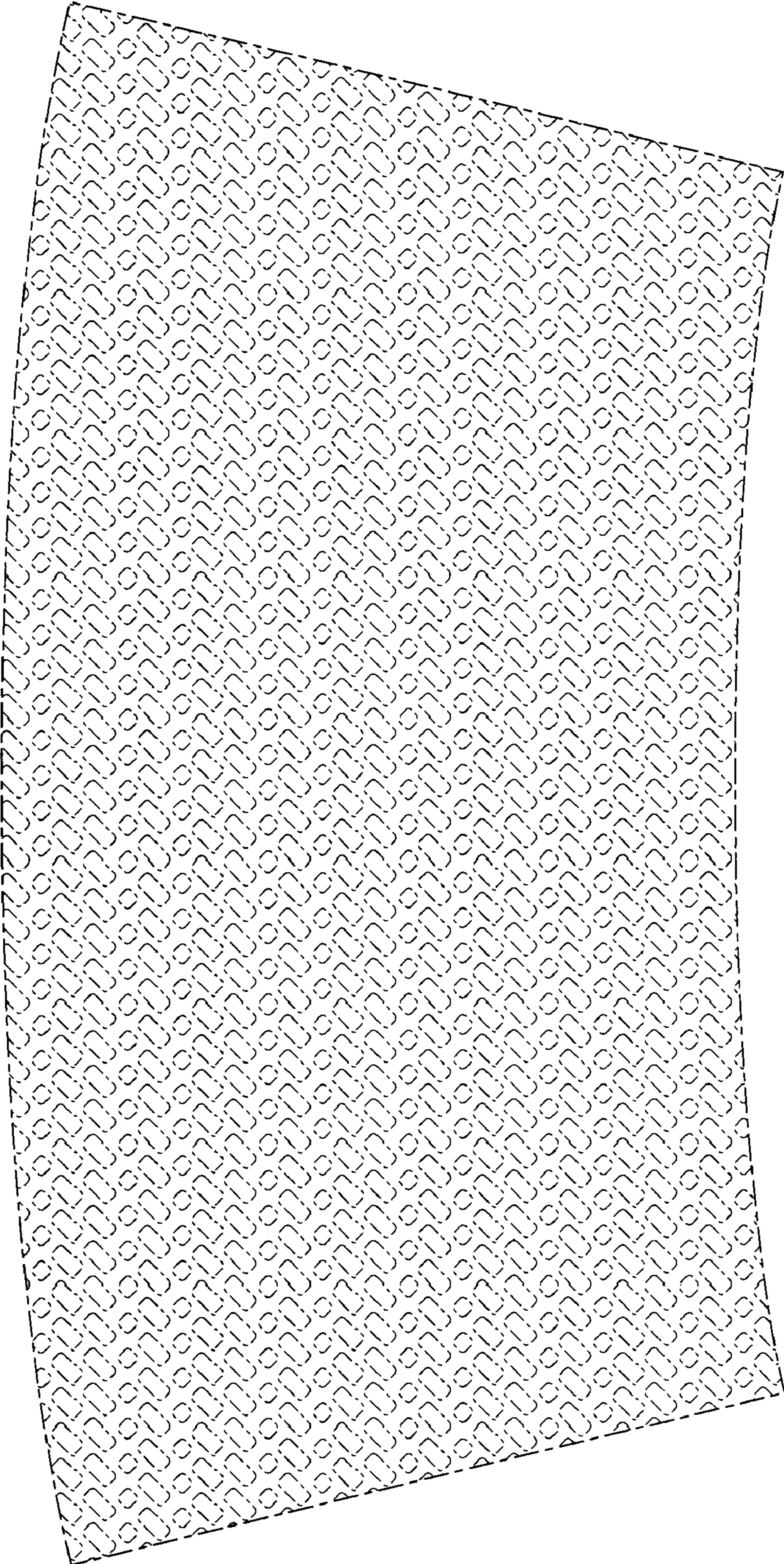


FIG. 10



FIG. 11



FIG. 12



FIG. 13



FIG. 14