



US00D636019S

(12) **United States Design Patent**
Urabe et al.

(10) **Patent No.:** **US D636,019 S**
(45) **Date of Patent:** **** Apr. 12, 2011**

(54) **INK CARTRIDGE**

(75) Inventors: **Yuichi Urabe**, Nagano-ken (JP);
Takeshi Komaki, Nagano-ken (JP);
Manabu Yamada, Nagano-ken (JP)

(73) Assignee: **Seiko Epson Corporation**, Tokyo (JP)

(**) Term: **14 Years**

(21) Appl. No.: **29/362,338**

(22) Filed: **May 24, 2010**

(30) **Foreign Application Priority Data**

Jan. 6, 2010 (JP) 2010-000190

(51) **LOC (9) Cl.** **18-02**

(52) **U.S. Cl.** **D18/56**

(58) **Field of Classification Search** D18/40,
D18/43, 56; 347/86, 87

See application file for complete search history.

(56) **References Cited**

U.S. PATENT DOCUMENTS

D467,964 S *	12/2002	Shinano et al.	D18/56
D477,020 S *	7/2003	Seino	D18/56
D517,597 S *	3/2006	Andoh	D18/56
D534,581 S *	1/2007	Ikezaki et al.	D18/56
D540,379 S *	4/2007	Hattori et al.	D18/56
D541,336 S *	4/2007	Hattori	D18/56
7,290,869 B2 *	11/2007	Hanaoka	347/86
D569,420 S *	5/2008	Hwang et al.	D18/56

D569,422 S *	5/2008	Matsumoto	D18/56
D587,748 S *	3/2009	Anderson et al.	D18/56
D592,241 S *	5/2009	Nozawa et al.	D18/56
D598,050 S *	8/2009	Nozawa	D18/56
D613,331 S *	4/2010	Park et al.	D18/56

* cited by examiner

Primary Examiner — David G Muller

(57) **CLAIM**

The ornamental design for an ink cartridge, as shown and described.

DESCRIPTION

FIG. 1 is a bottom front right side perspective view of an ink cartridge showing the new design.

FIG. 2 is a top rear right side perspective view thereof.

FIG. 3 is a front view thereof.

FIG. 4 is a rear view thereof.

FIG. 5 is a left side view thereof.

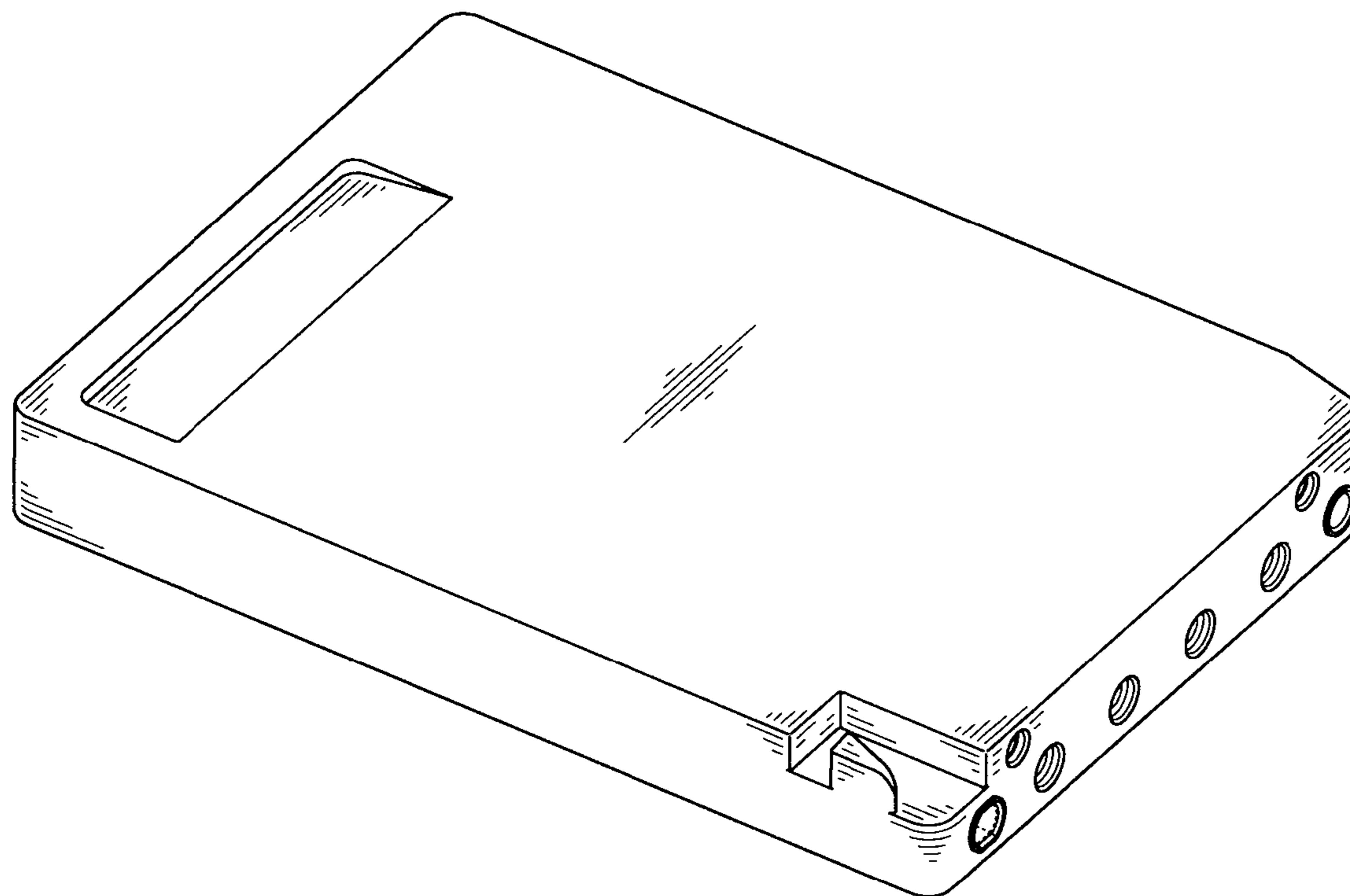
FIG. 6 is a right side view thereof.

FIG. 7 is a top view thereof; and,

FIG. 8 is a bottom view thereof.

The dashed lines immediately adjacent to the claimed areas of the two rimmed recesses on either end of the right side of the cartridge in FIG. 6 represent the boundaries of the claimed design. The remaining dashed lines in the figures illustrate the portions of the design that form no part of the claimed design. None of the broken lines form any part of the claimed design.

1 Claim, 4 Drawing Sheets



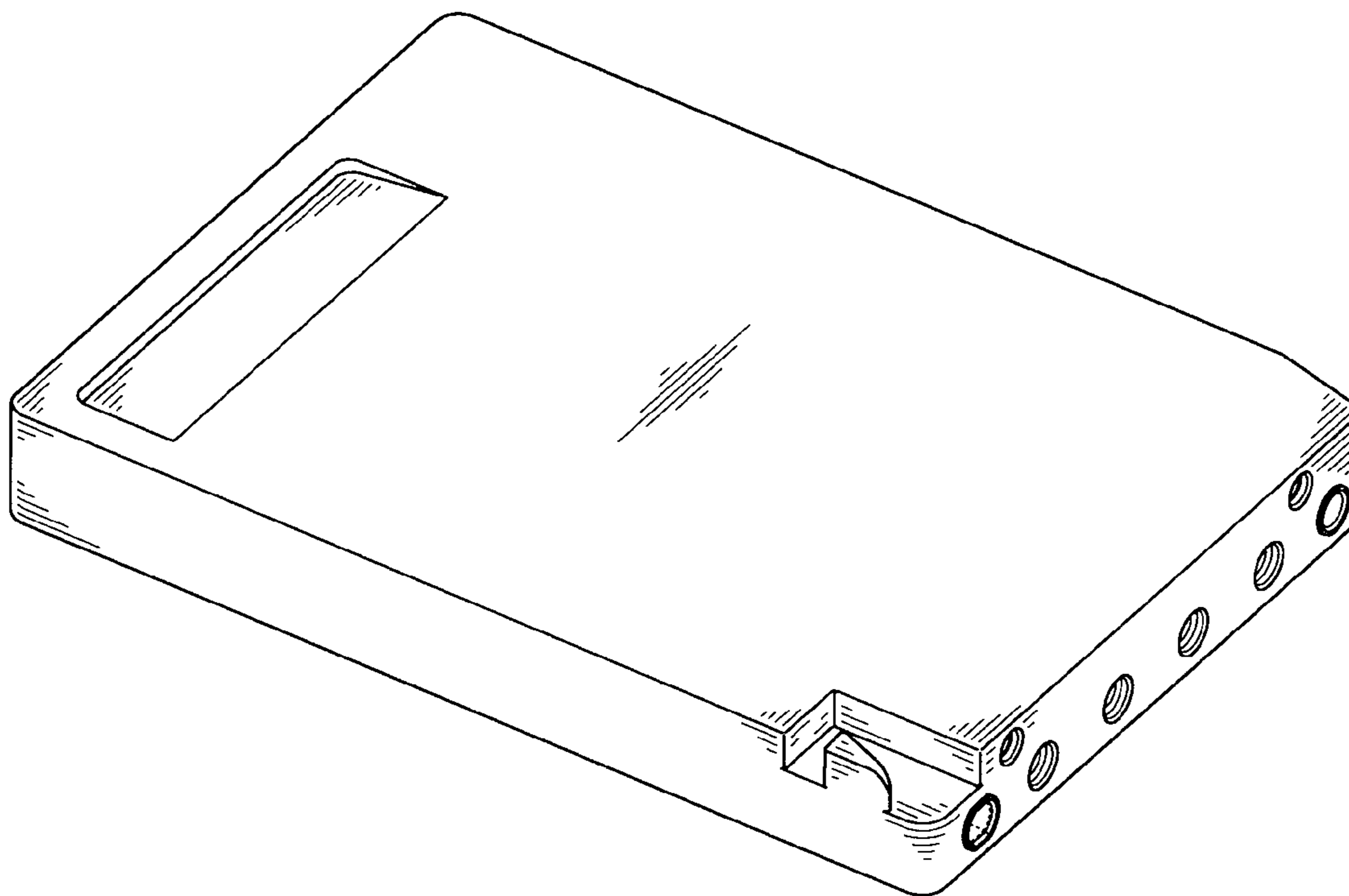


FIG. 1

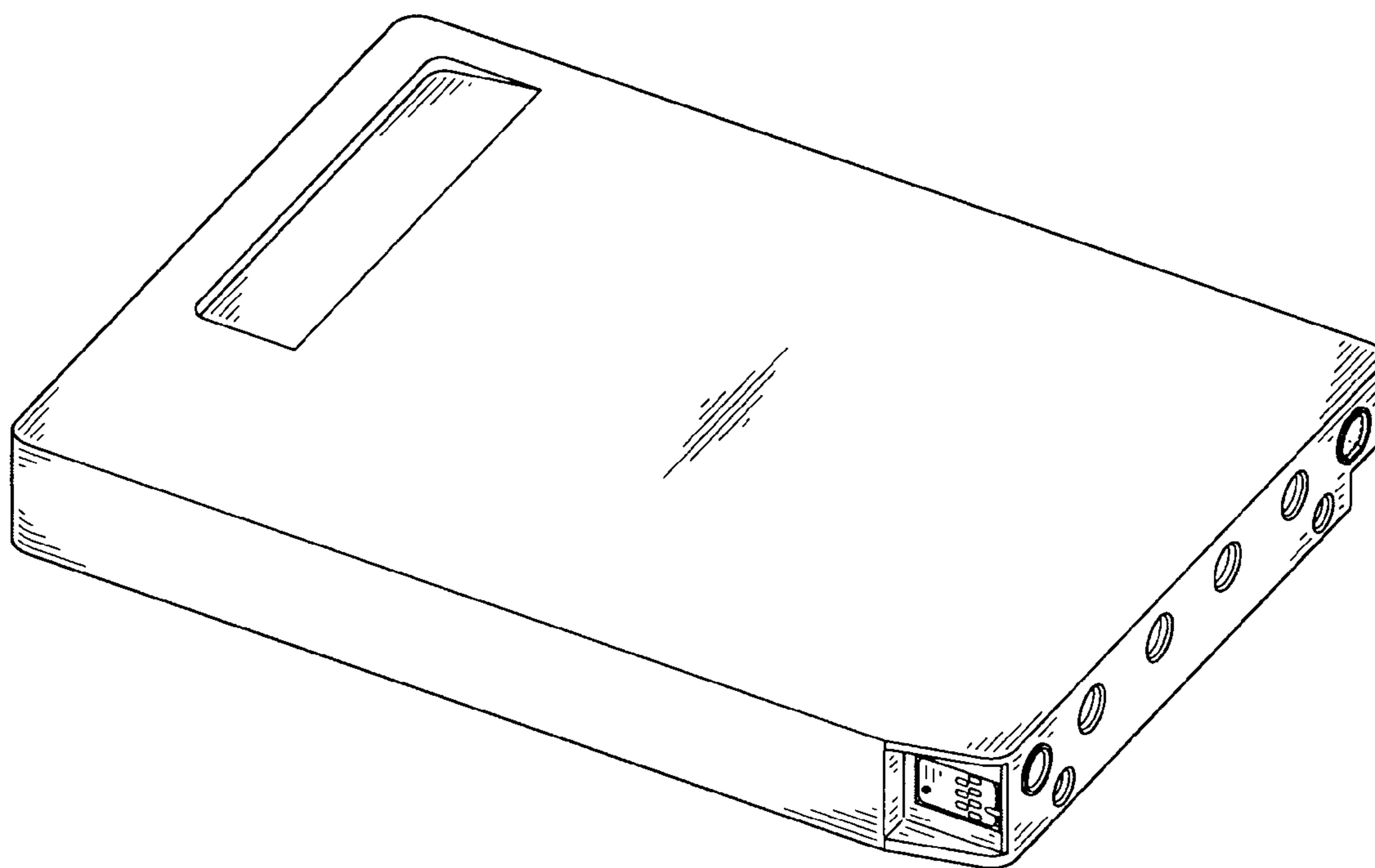


FIG. 2

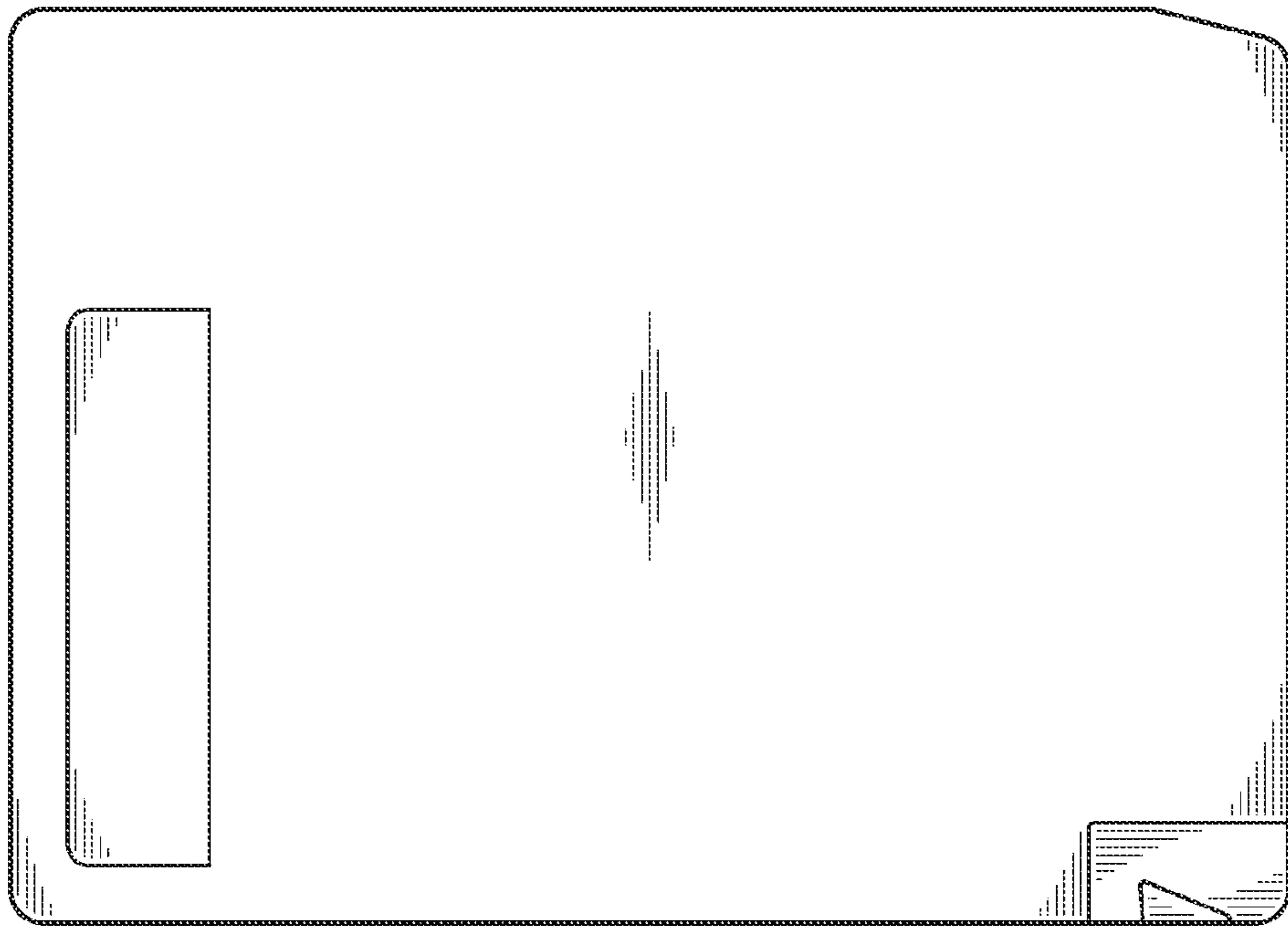


FIG. 3

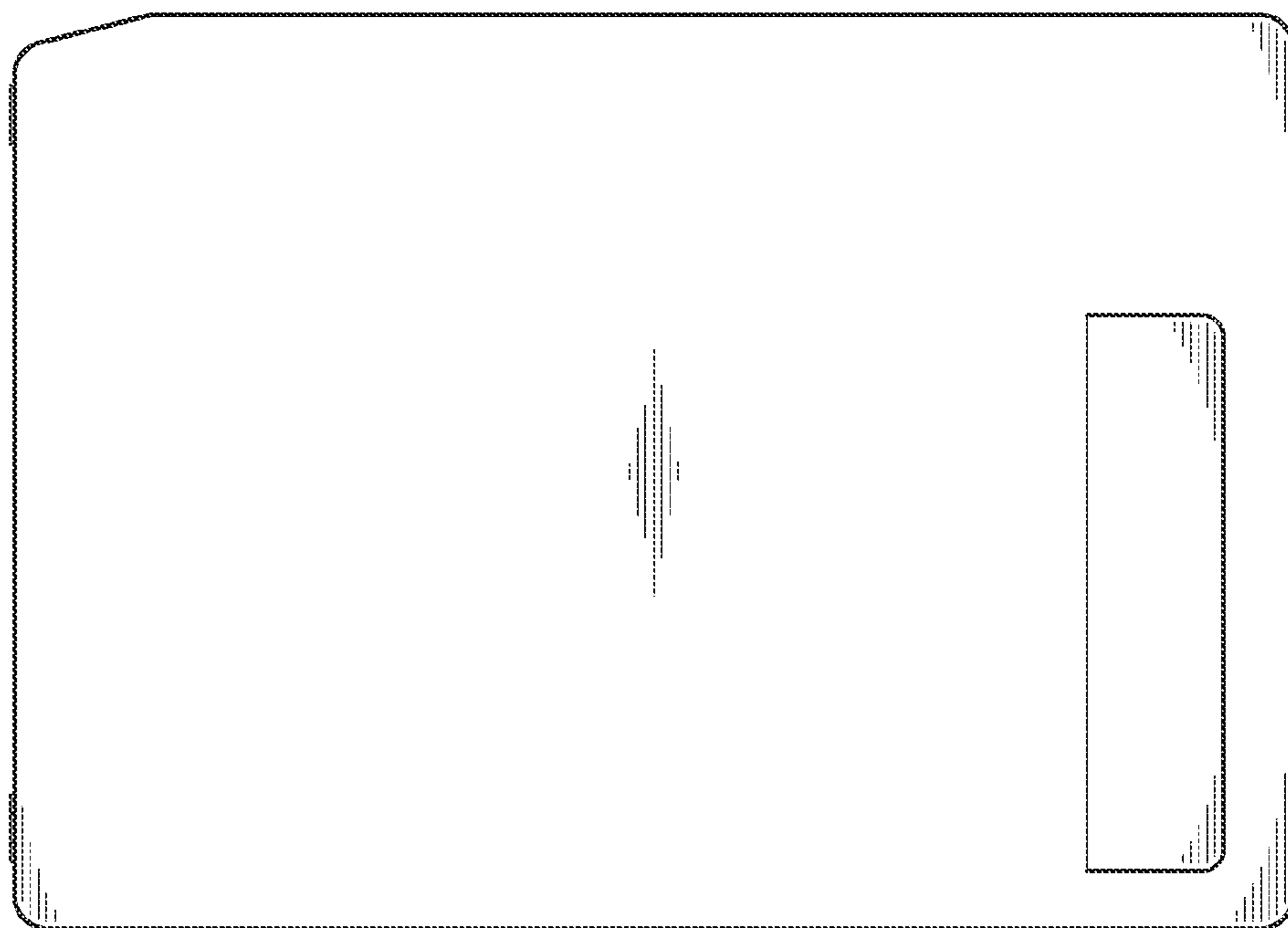


FIG. 4

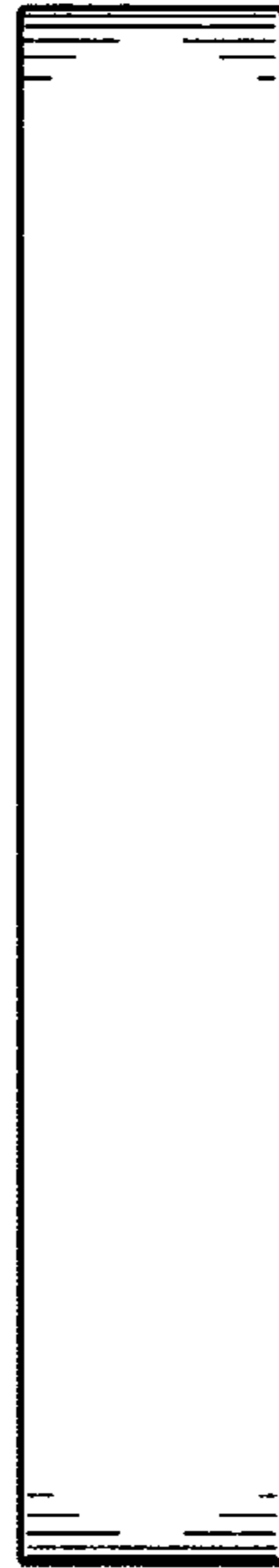


FIG. 5

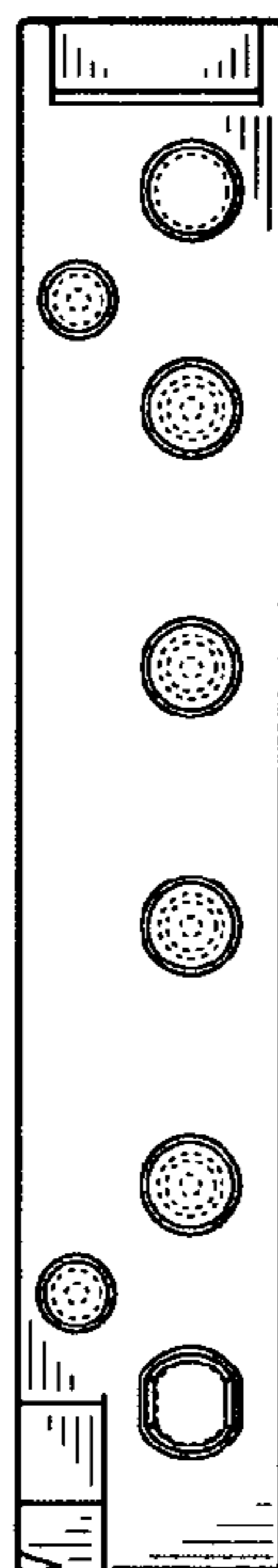


FIG. 6



FIG. 7



FIG. 8