



US00D636018S

(12) **United States Design Patent**  
**Kimura et al.**

(10) **Patent No.:** **US D636,018 S**  
(45) **Date of Patent:** **\*\* Apr. 12, 2011**

(54) **PRINTER**

(75) Inventors: **Seiji Kimura**, Nagano-ken (JP); **Shoichi Murata**, Nagano-ken (JP)

(73) Assignee: **Seiko Epson Corporation**, Tokyo (JP)

(\*\*) Term: **14 Years**

(21) Appl. No.: **29/351,661**

(22) Filed: **Dec. 9, 2009**

(30) **Foreign Application Priority Data**

Jul. 23, 2009 (JP) ..... 2009-016713

(51) **LOC (9) Cl.** ..... **14-02**

(52) **U.S. Cl.** ..... **D18/50**

(58) **Field of Classification Search** ..... D18/14,  
D18/19, 36-37, 50, 54, 54.1, 55; D14/420-425,  
D14/463-470; 400/613, 613.1-613.4, 690.1-690.4,  
400/691-694

See application file for complete search history.

(56) **References Cited**

**U.S. PATENT DOCUMENTS**

D193,450 S \* 8/1962 Armstrong et al. .... D18/36  
D325,927 S \* 5/1992 Fushiya ..... D18/54  
D370,935 S \* 6/1996 Kawashima et al. .... D18/14

D432,160 S \* 10/2000 Kabumoto et al. .... D18/37  
D470,884 S \* 2/2003 Gotham et al. .... D18/55  
D474,805 S \* 5/2003 Gotham et al. .... D18/50  
D528,587 S \* 9/2006 Nakaeda ..... D18/19  
D544,530 S \* 6/2007 Omuro et al. .... D18/50  
D558,817 S \* 1/2008 Katayama ..... D18/19  
D558,819 S \* 1/2008 Kimura et al. .... D18/50  
D559,900 S \* 1/2008 Kimura et al. .... D18/50  
D579,043 S \* 10/2008 Hattori et al. .... D18/50  
D579,487 S \* 10/2008 Yamada ..... D18/50  
D607,507 S \* 1/2010 Kimura et al. .... D18/55  
D622,760 S \* 8/2010 Kimura et al. .... D18/50  
2004/0258451 A1 \* 12/2004 Kato ..... 400/691

\* cited by examiner

*Primary Examiner* — Cathy Anne MacCormac

(57) **CLAIM**

The ornamental design for a printer, as shown and described.

**DESCRIPTION**

FIG. 1 is a top, front, right side perspective view of a printer showing the new design.

FIG. 2 is a bottom, front, right side perspective view thereof.

FIG. 3 is a front view thereof.

FIG. 4 is a rear view thereof.

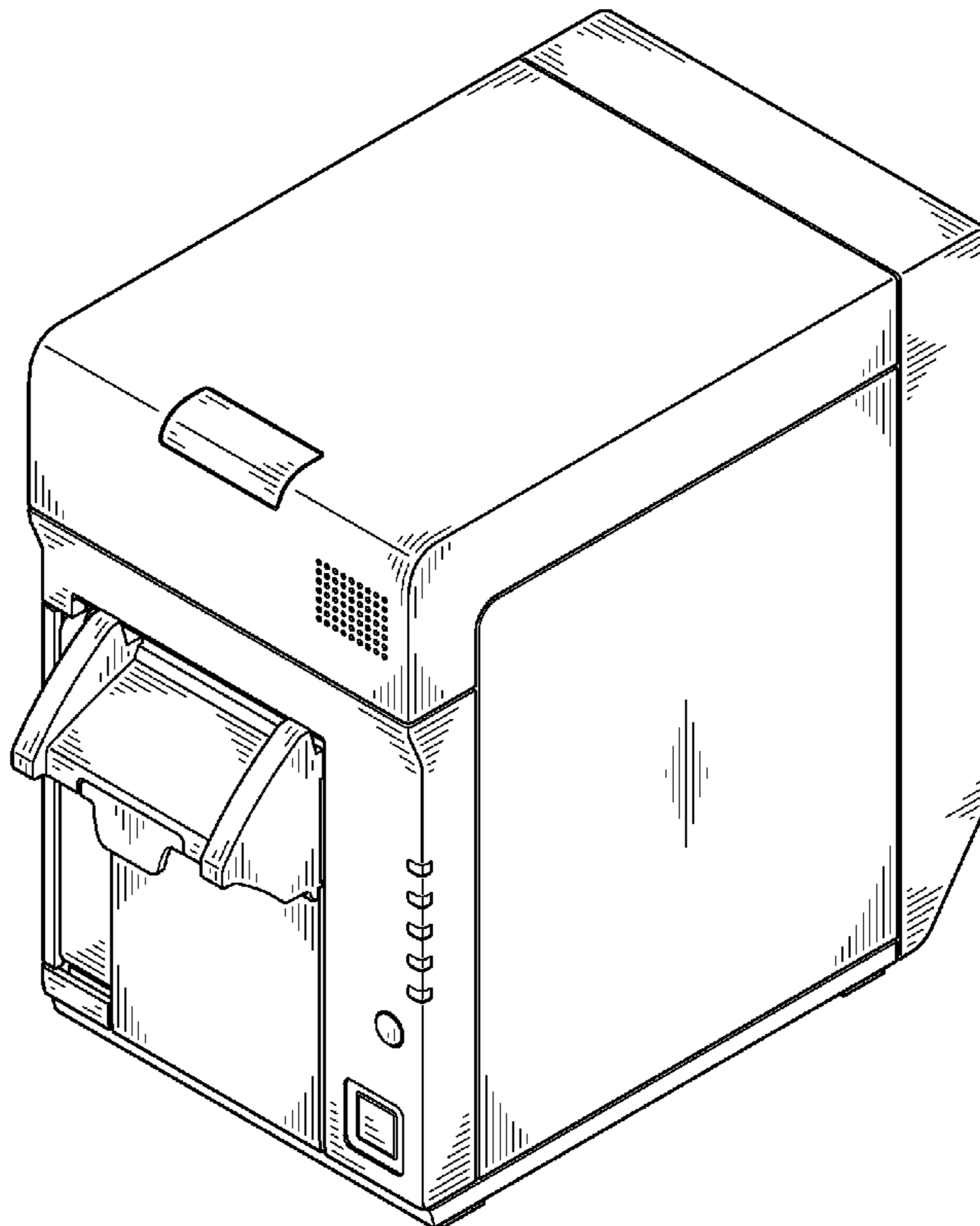
FIG. 5 is a left side view thereof.

FIG. 6 is a right side view thereof.

FIG. 7 is a top view thereof; and,

FIG. 8 is a bottom view thereof.

**1 Claim, 5 Drawing Sheets**



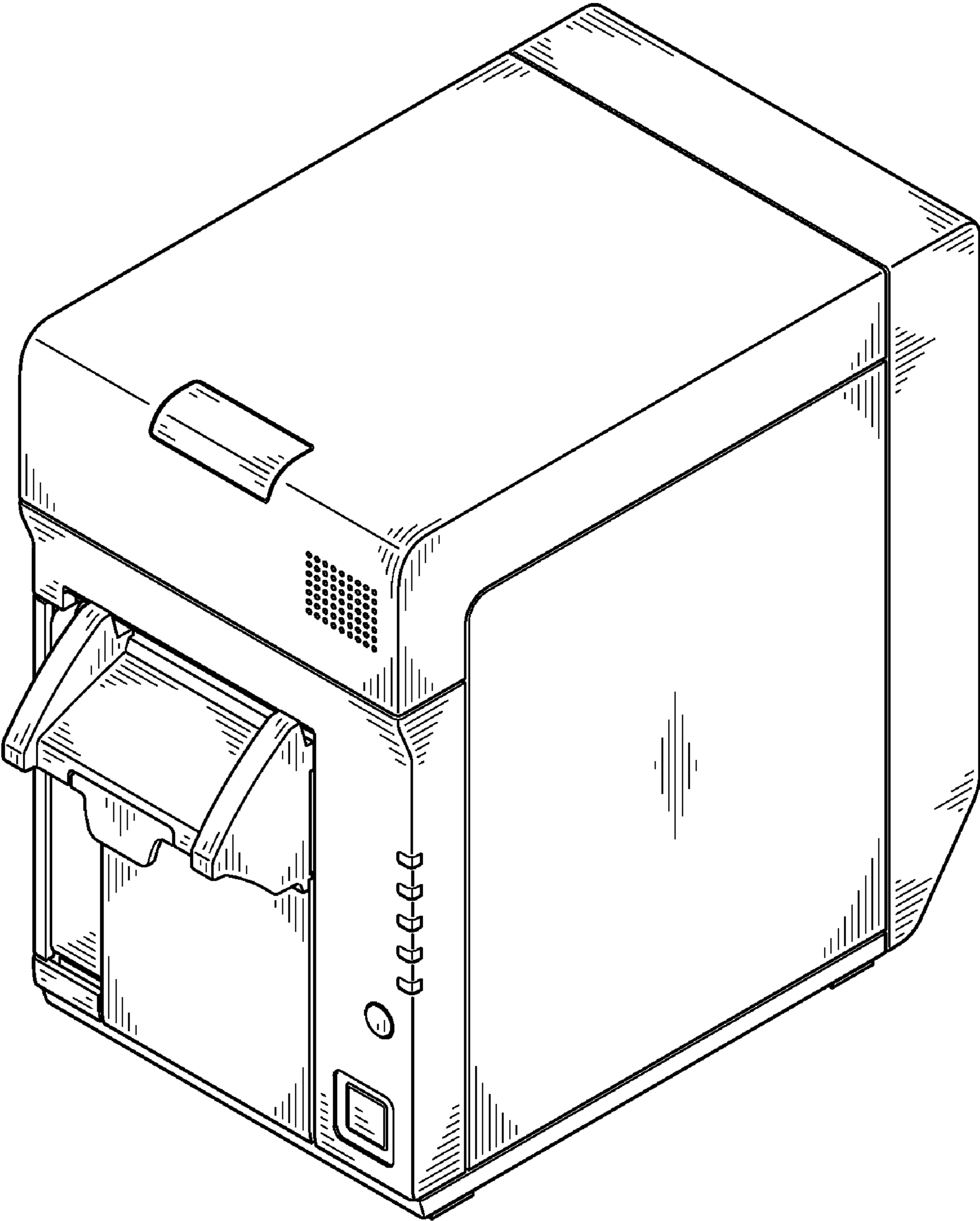


FIG. 1

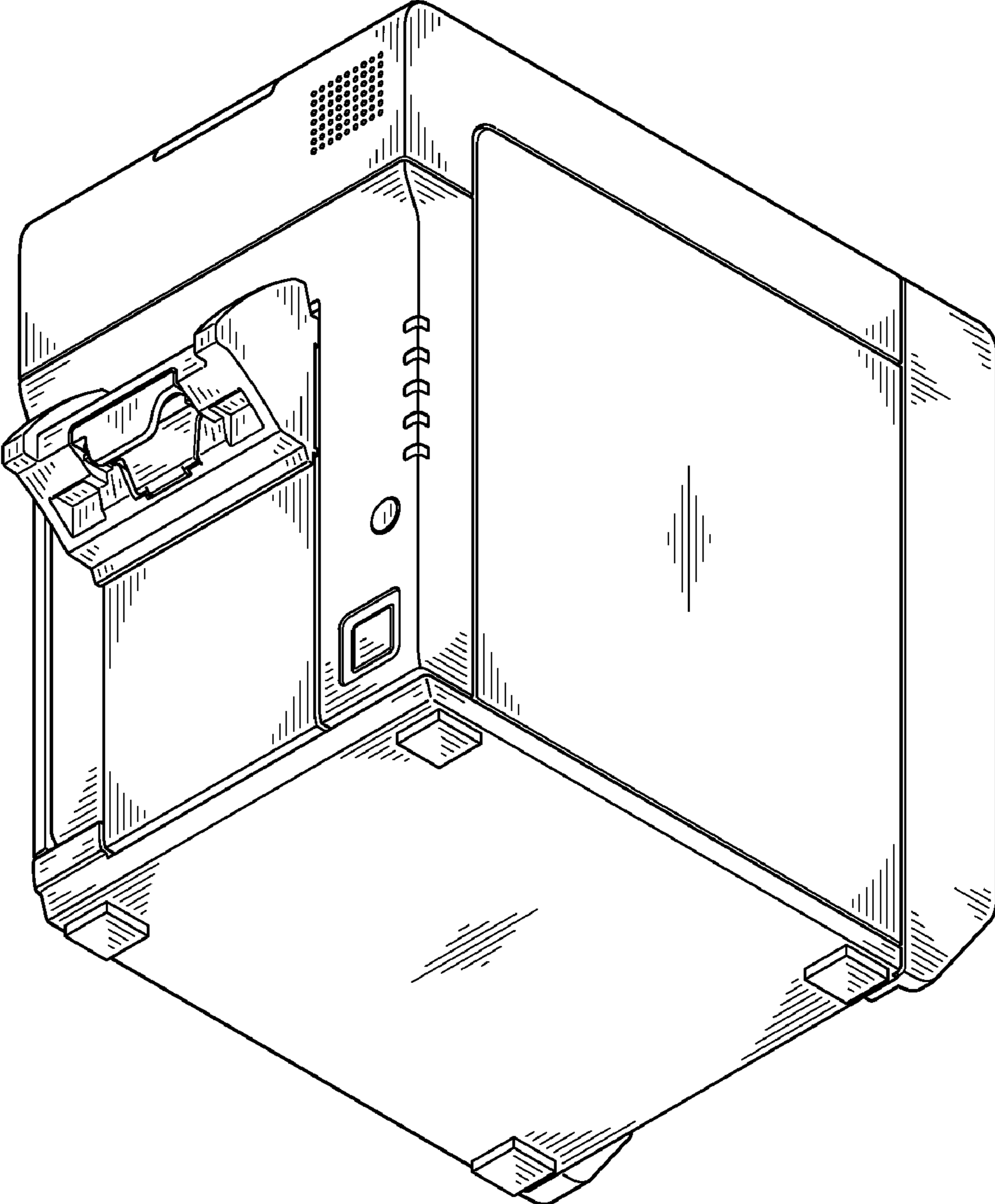


FIG. 2

FIG. 3

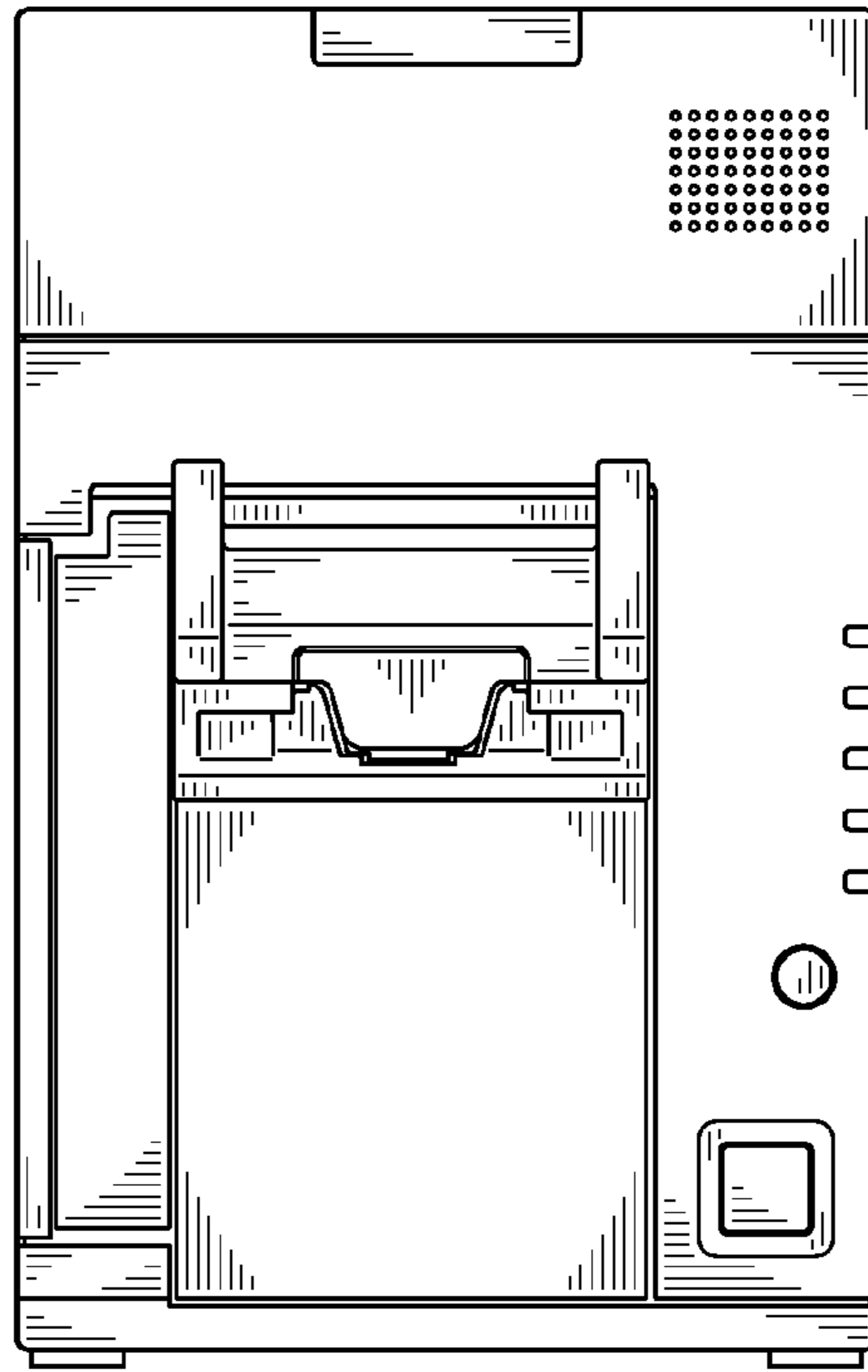


FIG. 4

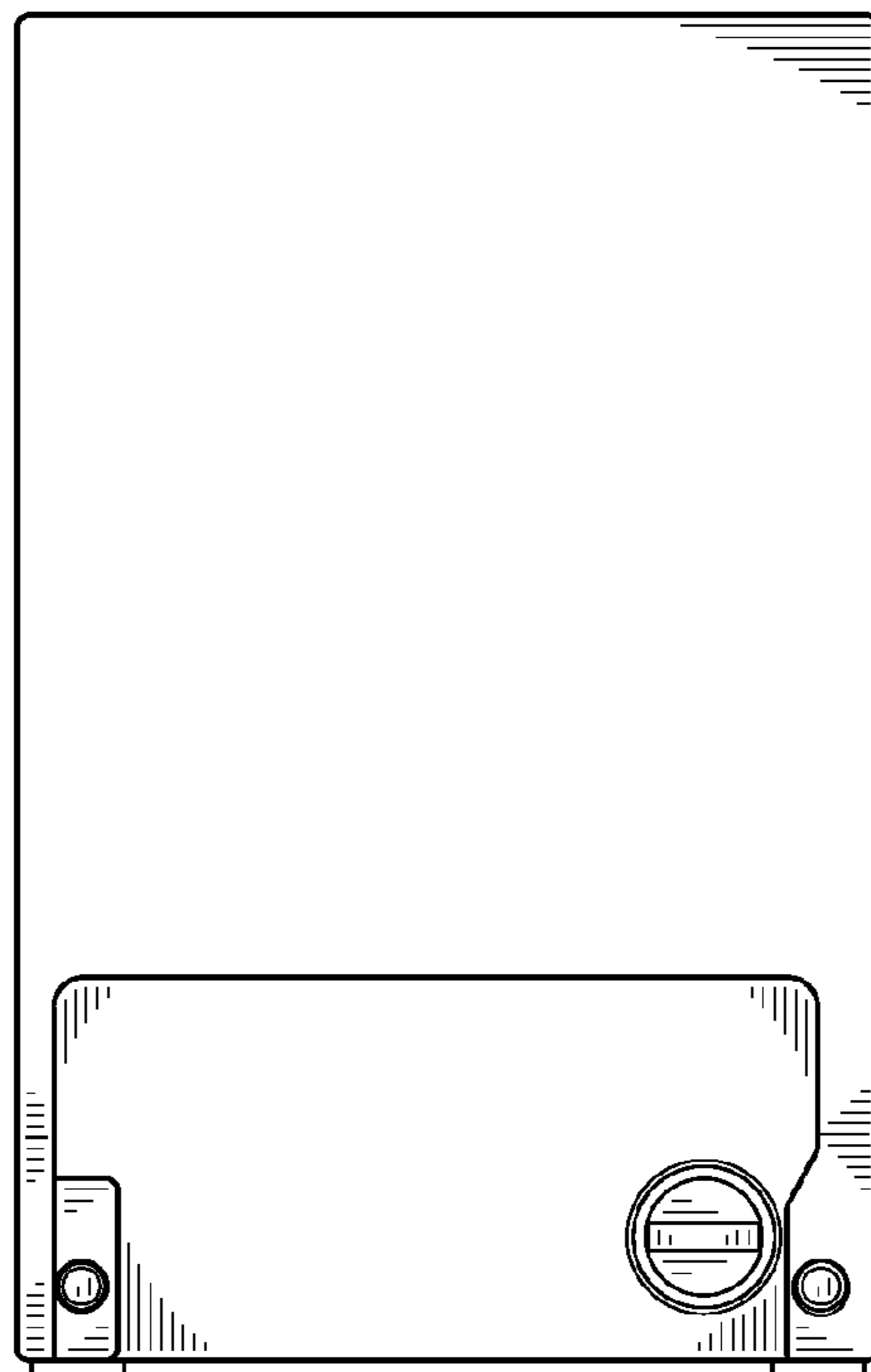


FIG. 5

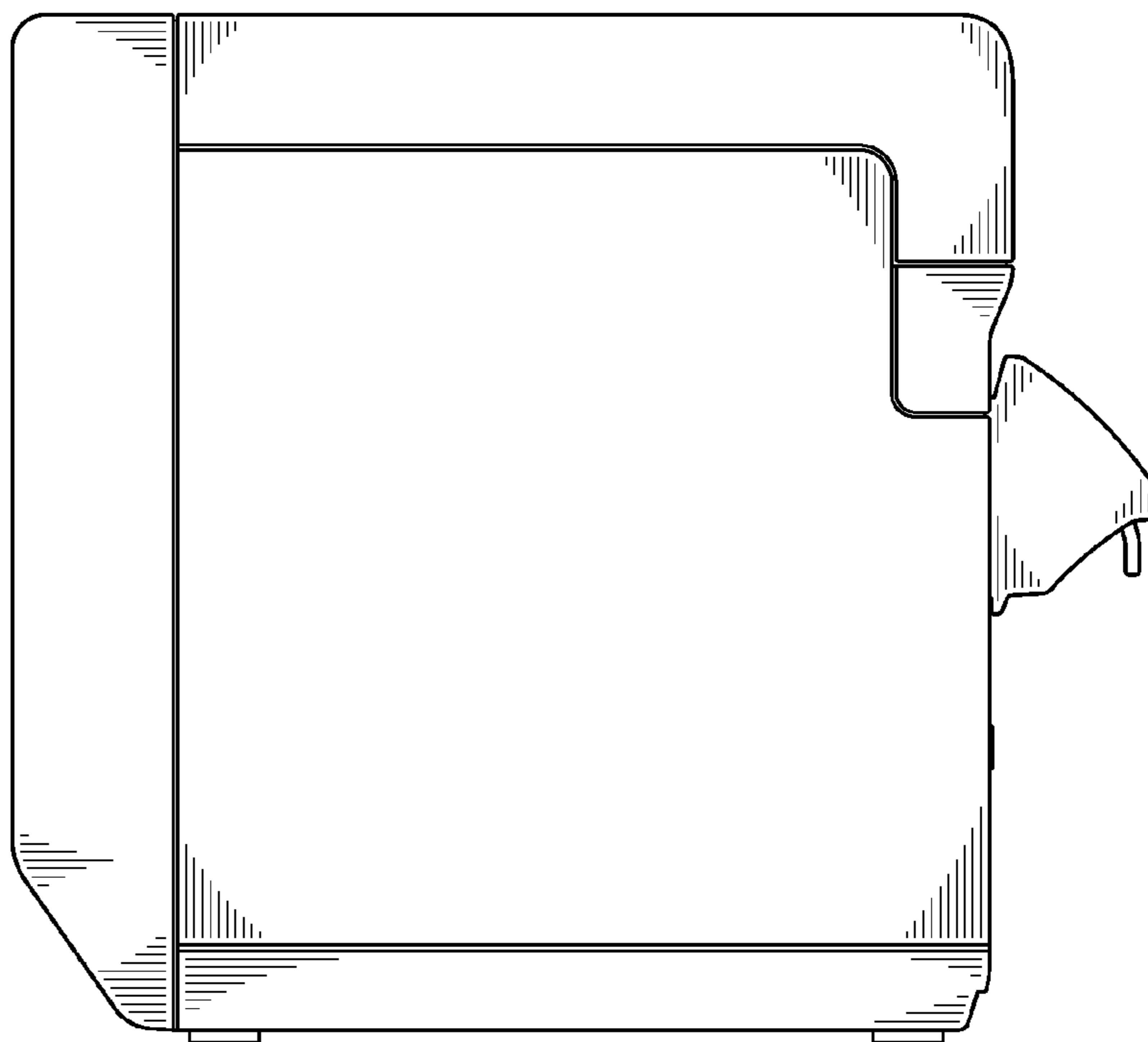


FIG. 6

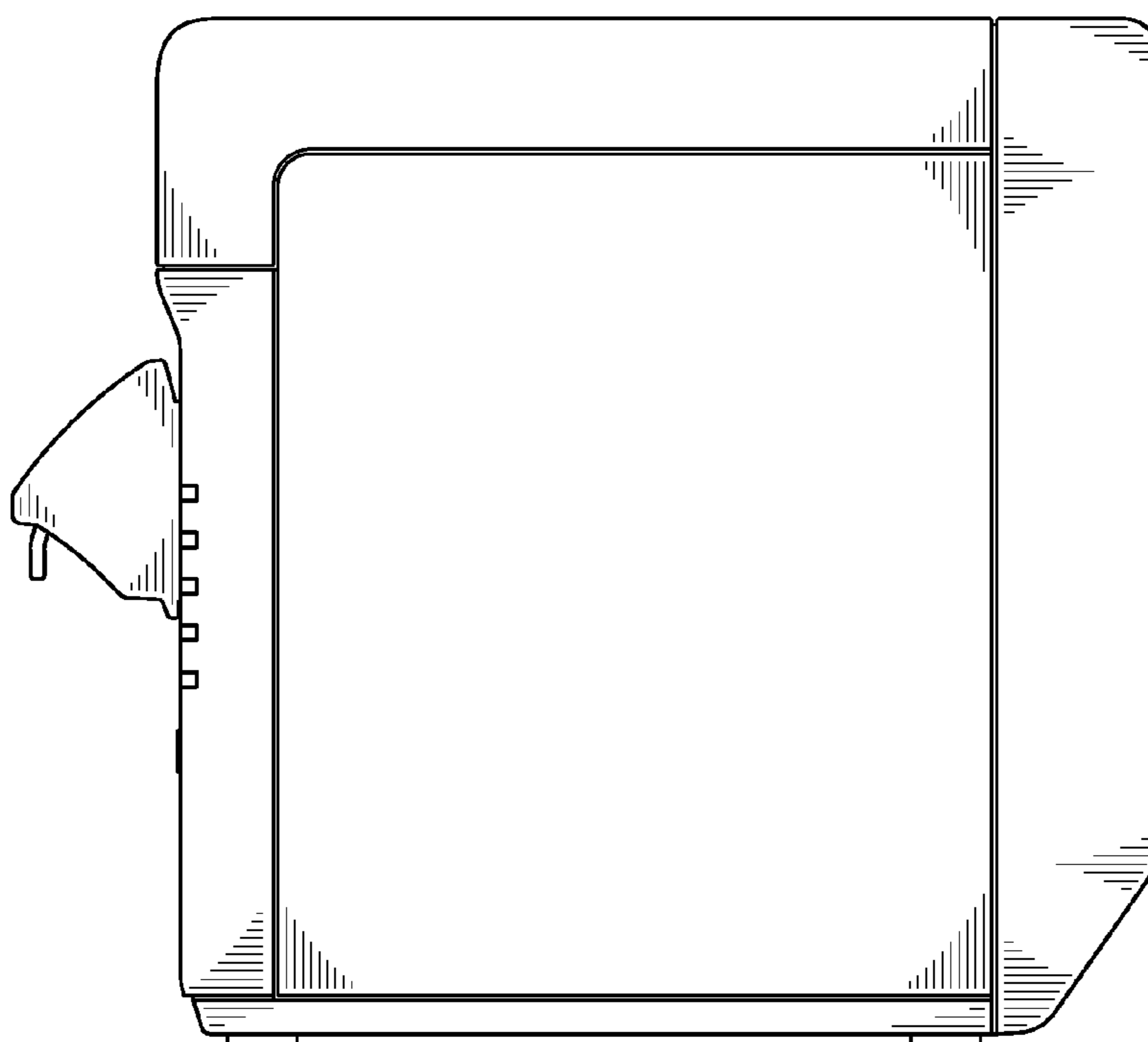


FIG. 7

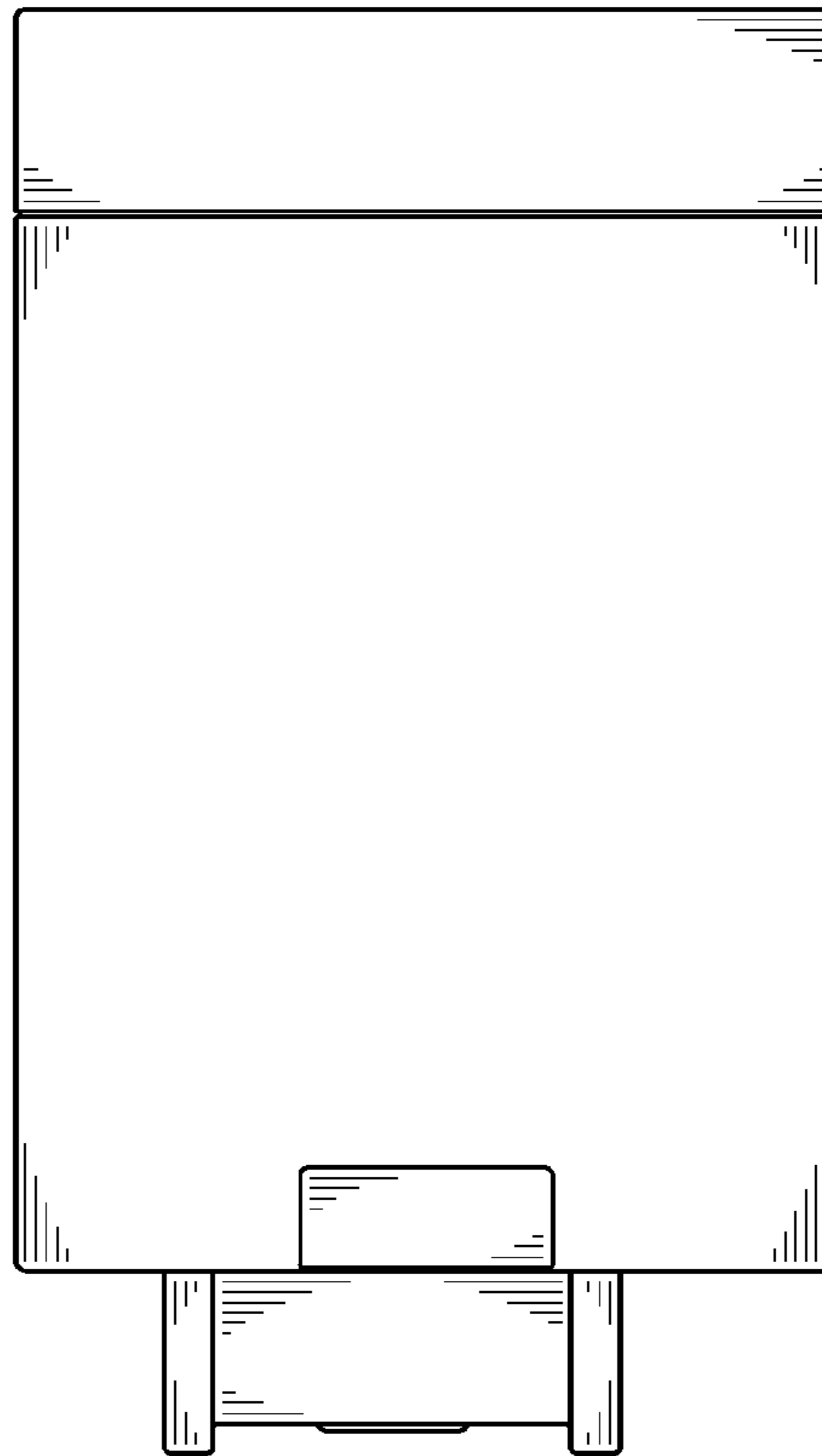


FIG. 8

