



US00D636017S

(12) **United States Design Patent**
Takiguchi et al.

(10) **Patent No.:** **US D636,017 S**

(45) **Date of Patent:** **** Apr. 12, 2011**

(54) **TONER CARTRIDGE**

(75) Inventors: **Toshio Takiguchi**, Saitama (JP);
Kazuaki Sugawara, Saitama (JP)

(73) Assignee: **Fuji Xerox Co., Ltd.**, Tokyo (JP)

(**) Term: **14 Years**

(21) Appl. No.: **29/357,701**

(22) Filed: **Mar. 16, 2010**

(30) **Foreign Application Priority Data**

Sep. 17, 2009 (JP) D2009-021568

(51) **LOC (9) Cl.** **16-03**

(52) **U.S. Cl.** **D18/43**

(58) **Field of Classification Search** D14/462,
D14/471, 474, 475; D18/12, 36, 40, 43,
D18/44, 56; 222/DIG. 1; 347/197, 214,
347/222; 399/24-28, 107-112, 119, 121,
399/122, 222-224

See application file for complete search history.

(56) **References Cited**

U.S. PATENT DOCUMENTS

| | | | | | |
|-----------|------|---------|-----------------|-------|---------|
| 5,722,014 | A * | 2/1998 | Fike | | 399/119 |
| D398,634 | S * | 9/1998 | Katayama et al. | | D18/43 |
| D399,870 | S * | 10/1998 | Okada et al. | | D18/43 |
| D408,845 | S * | 4/1999 | Harumoto | | D18/43 |
| D431,260 | S * | 9/2000 | Kohno et al. | | D18/43 |
| 6,490,422 | B2 * | 12/2002 | Harumoto | | 399/27 |
| D469,119 | S * | 1/2003 | Shiba | | D18/43 |
| D574,039 | S * | 7/2008 | Saito et al. | | D18/43 |

| | | | | | |
|--------------|------|---------|---------------|-------|---------|
| D579,971 | S * | 11/2008 | Saito et al. | | D18/43 |
| 2002/0021909 | A1 * | 2/2002 | Harumoto | | 399/27 |
| 2010/0098456 | A1 * | 4/2010 | Murase et al. | | 399/110 |

* cited by examiner

Primary Examiner — Garth Rademaker

(74) *Attorney, Agent, or Firm* — Oliff & Berridge, PLC

(57) **CLAIM**

The ornamental design for a toner cartridge, as shown and described.

DESCRIPTION

FIG. 1 is a perspective view of top, front and left side of a toner cartridge showing our new design;

FIG. 2 is a front view thereof;

FIG. 3 is a rear view thereof;

FIG. 4 is a top plan view thereof;

FIG. 5 is a bottom view thereof;

FIG. 6 is a left side view thereof;

FIG. 7 is a right side view thereof;

FIG. 8 is a partially enlarged perspective view of top, front and left side thereof;

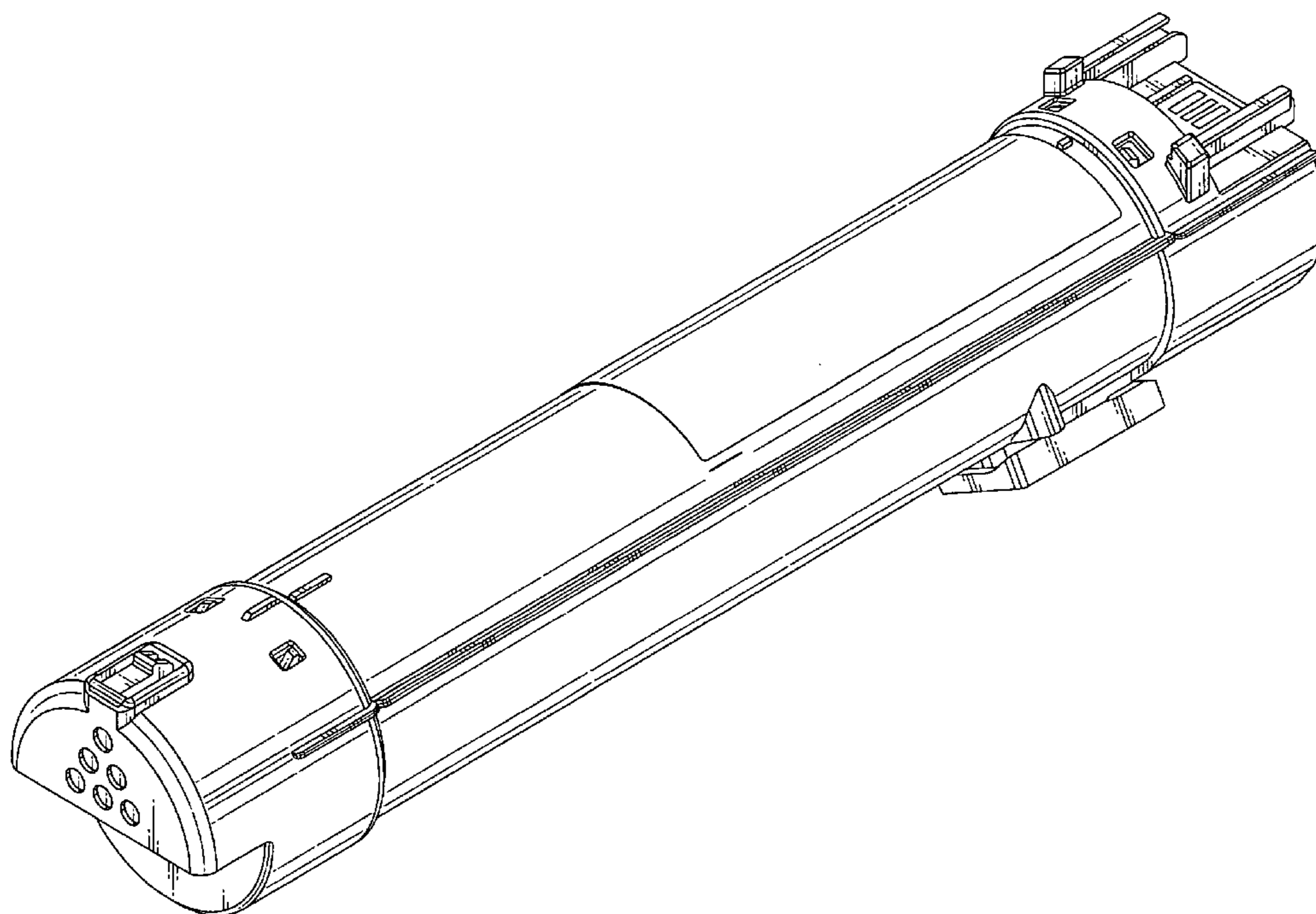
FIG. 9 is a partially enlarged perspective view of bottom, rear and left side thereof;

FIG. 10 is a partially enlarged perspective view of top, front and right side thereof; and,

FIG. 11 is a partially enlarged perspective view of front and right side thereof.

The broken lines depict environmental subject matter only and form no part of the claimed design.

1 Claim, 8 Drawing Sheets



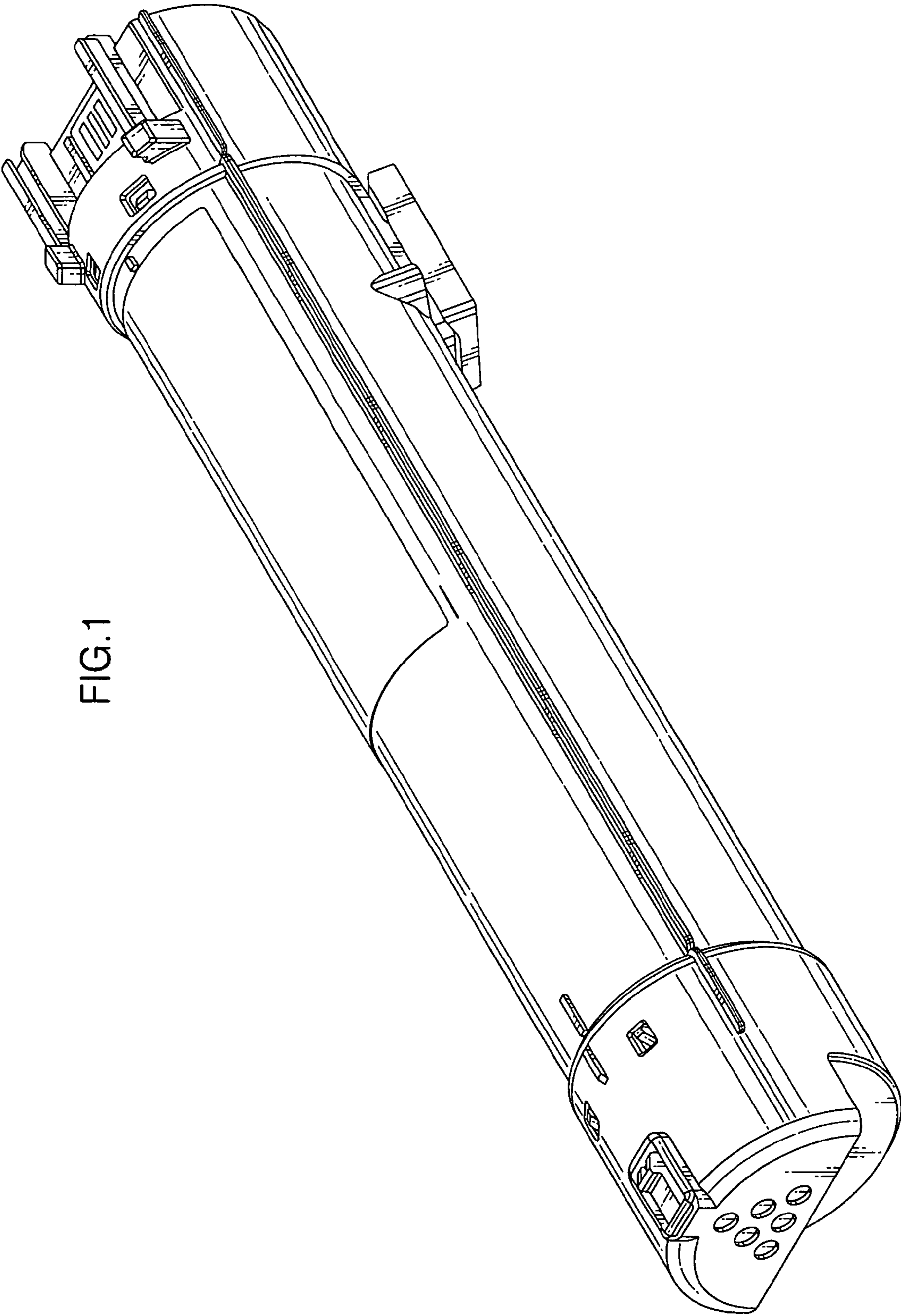


FIG.1

FIG.2

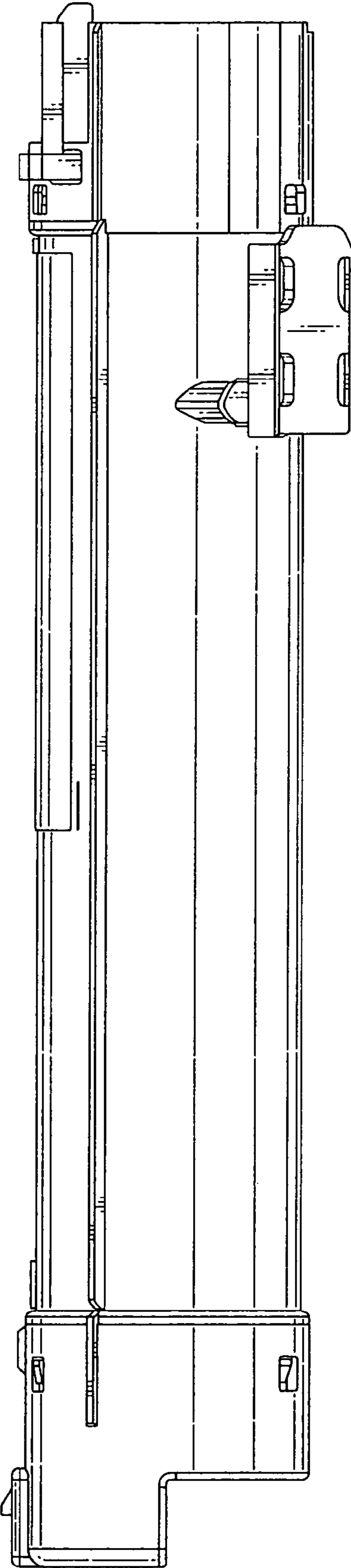


FIG.3

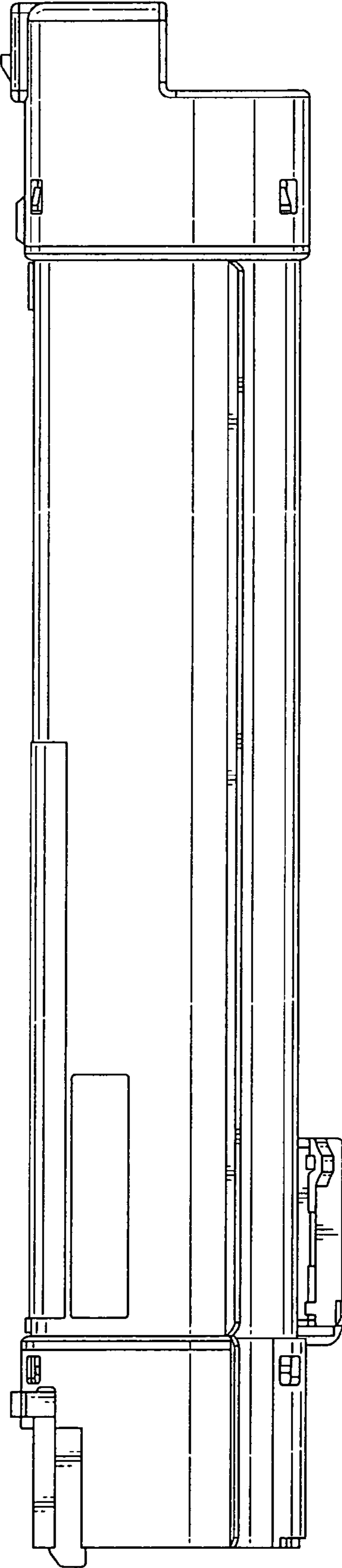


FIG.4

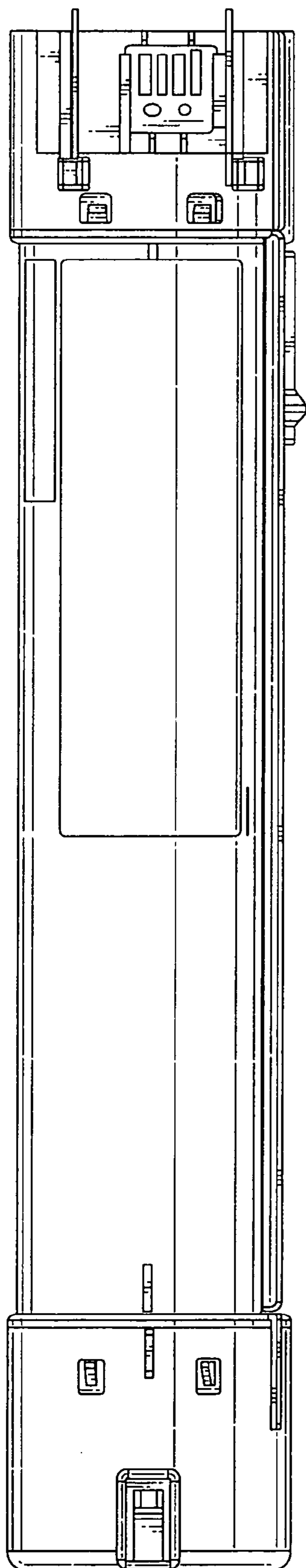


FIG.5

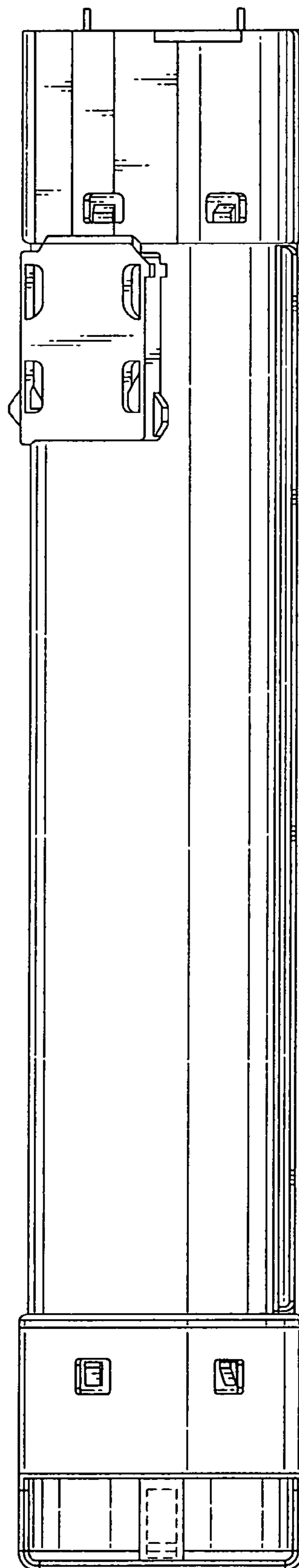


FIG.7

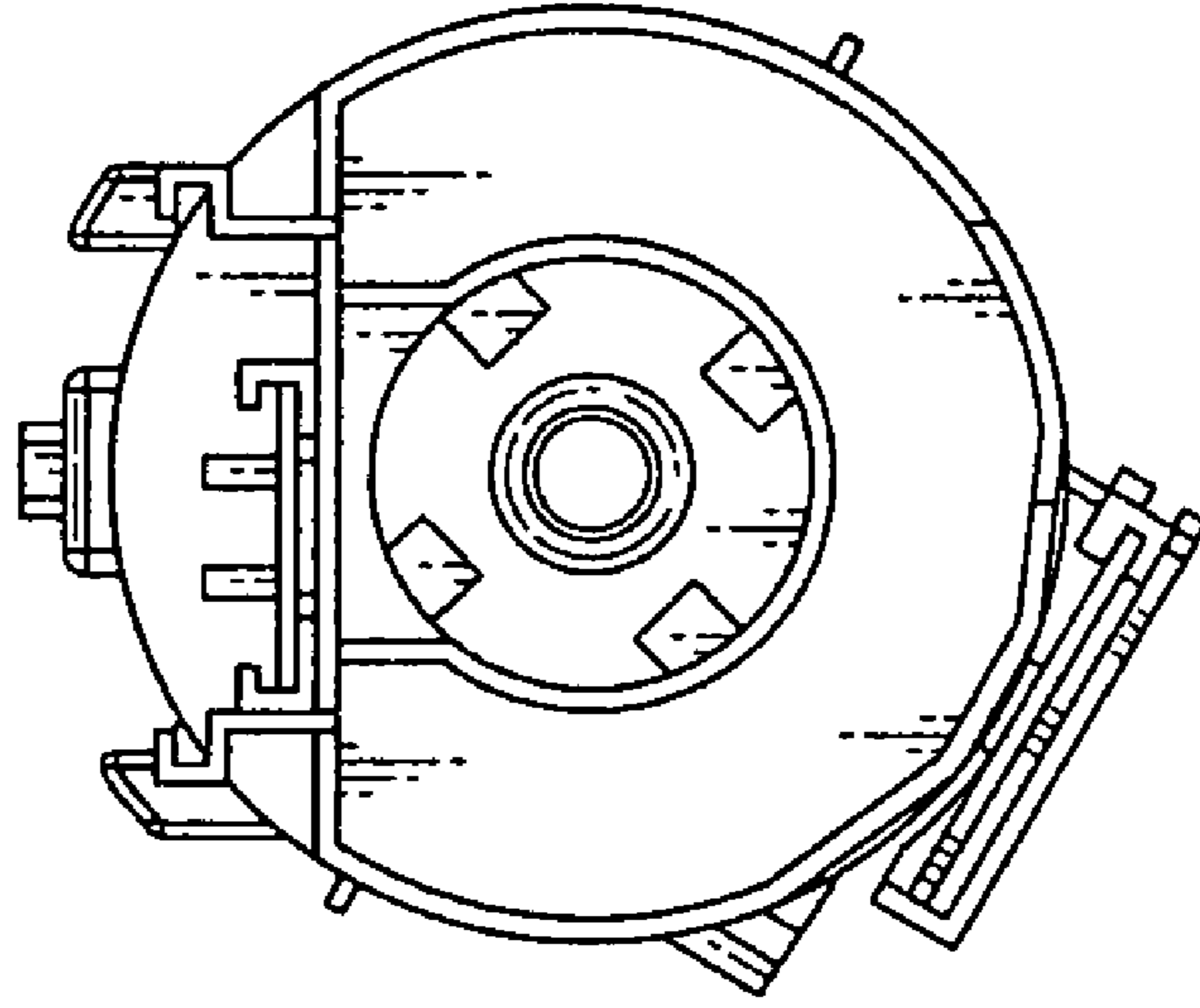


FIG.6

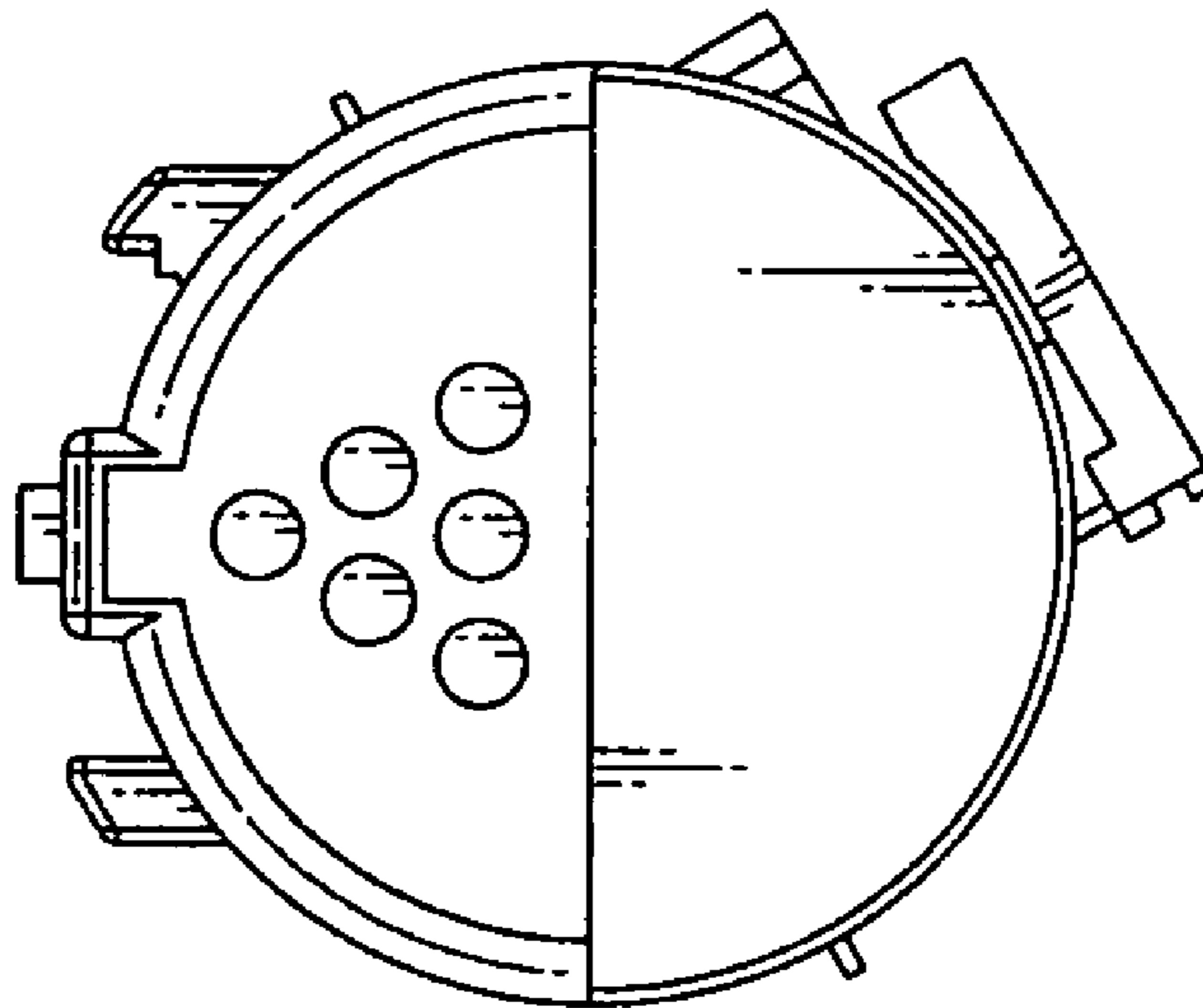


FIG. 8

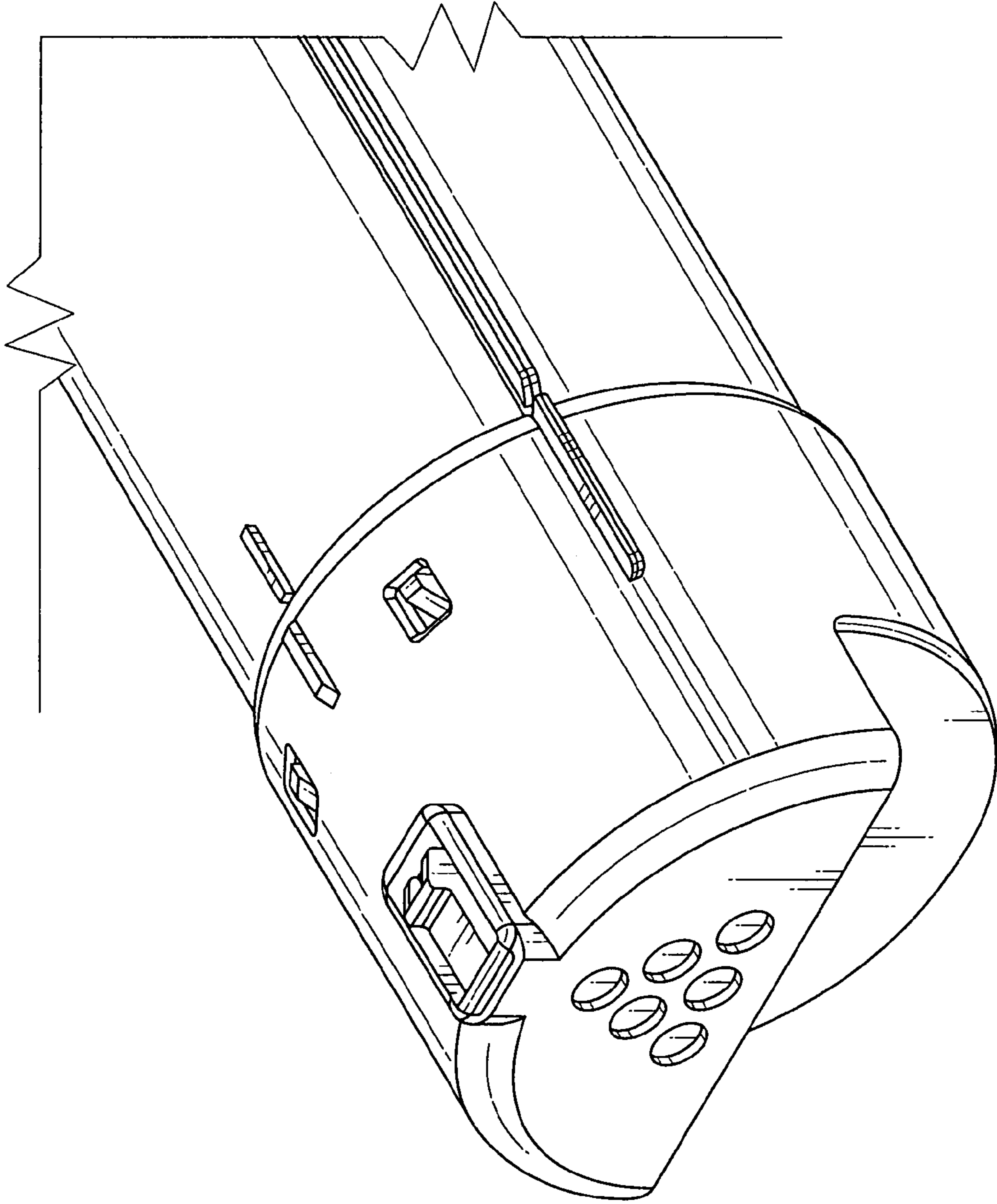


FIG.9

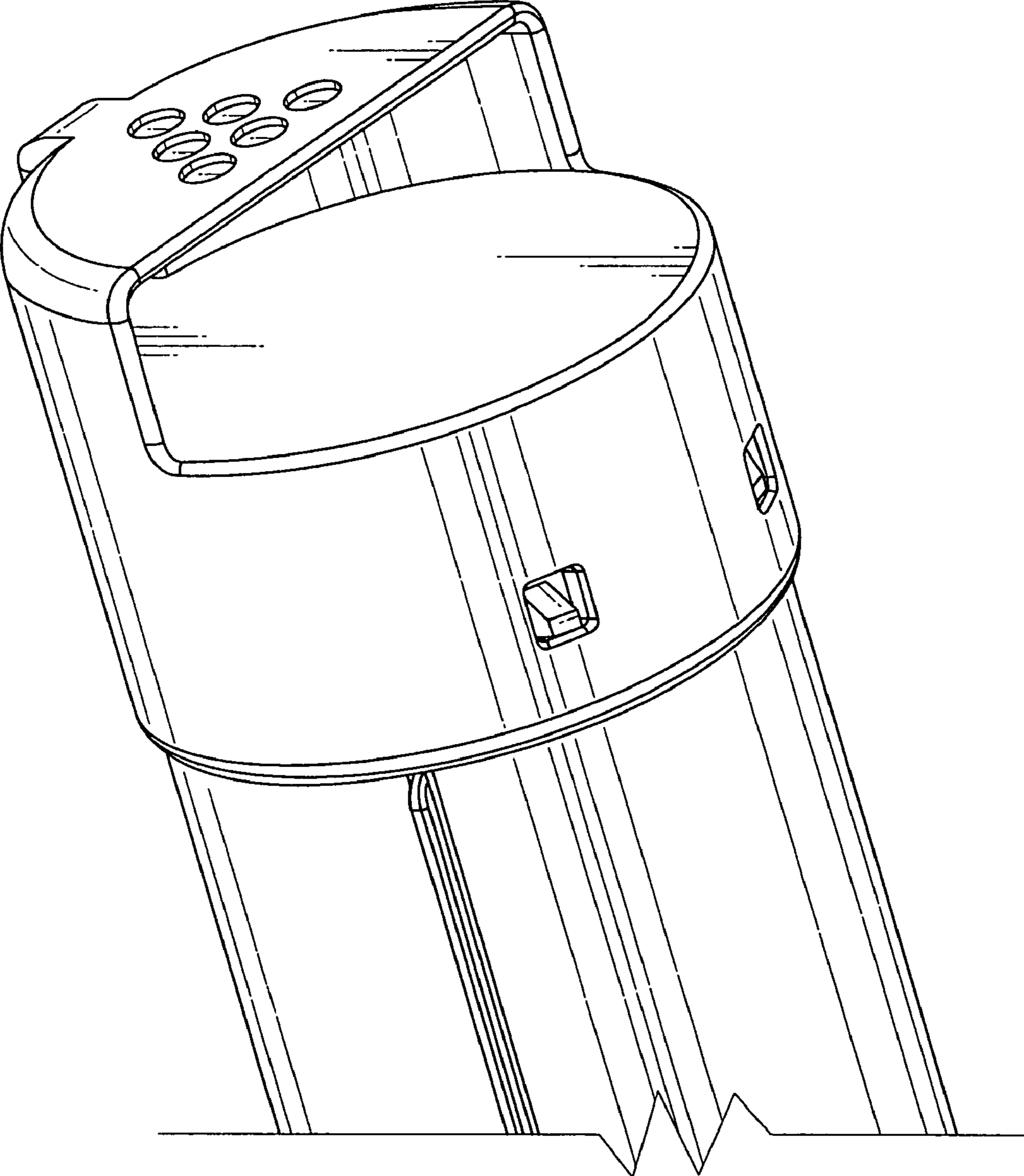


FIG.10

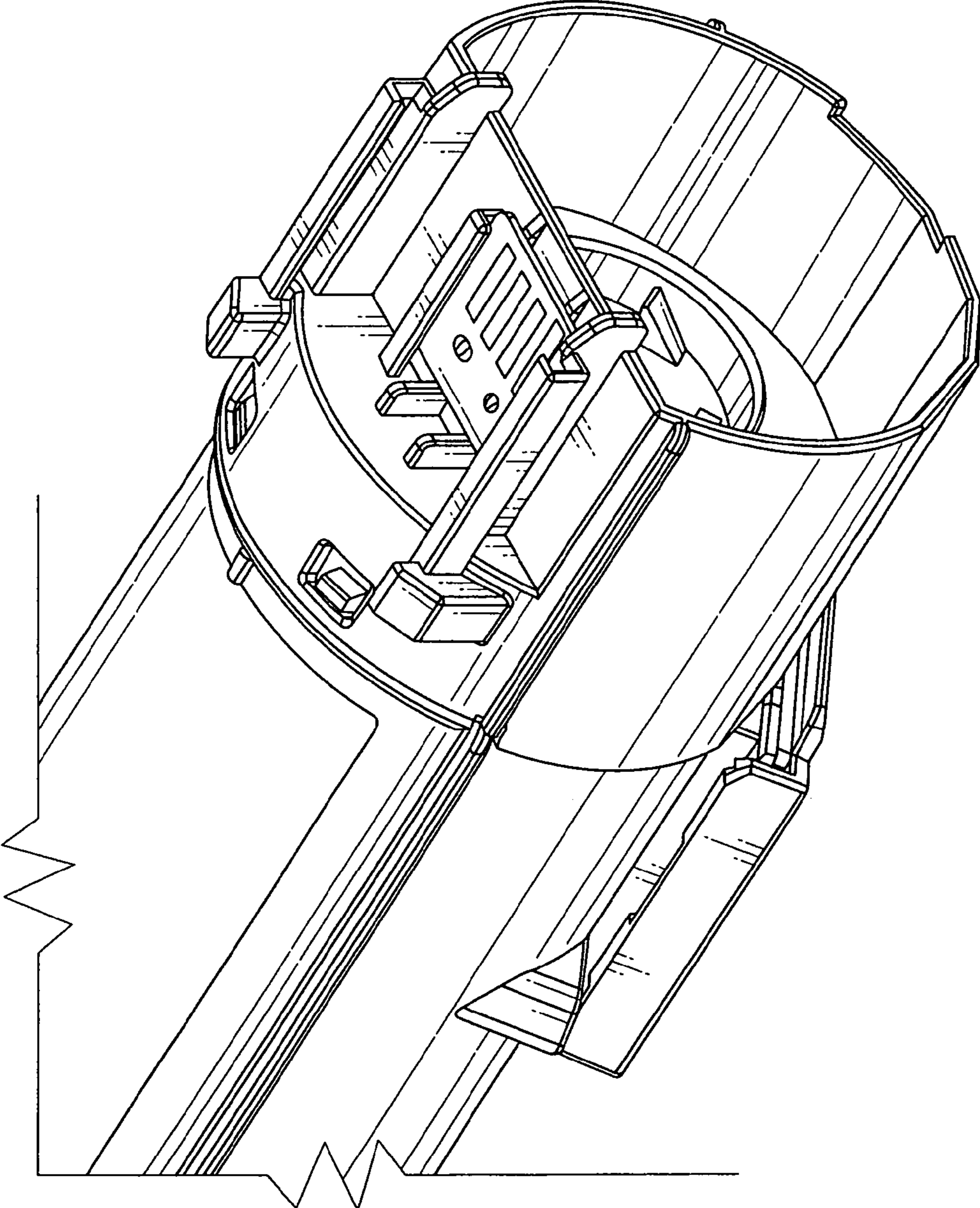


FIG.11

