



US00D636014S

(12) **United States Design Patent**
Cheng

(10) **Patent No.:** **US D636,014 S**

(45) **Date of Patent:** **** Apr. 12, 2011**

(54) **VIOLIN SHOULDER REST**

(76) Inventor: **David Cheng**, Costa Mesa, CA (US)

(**) Term: **14 Years**

(21) Appl. No.: **29/248,143**

(22) Filed: **Jul. 31, 2006**

(51) **LOC (9) Cl.** **17-03**

(52) **U.S. Cl.** **D17/20**

(58) **Field of Classification Search** D17/17,
D17/20, 99; 84/275, 278-280

See application file for complete search history.

(56) **References Cited**

U.S. PATENT DOCUMENTS

D334,019 S *	3/1993	Kun	D17/20
5,419,226 A *	5/1995	Kun	84/280
5,567,893 A *	10/1996	Kun	84/280
D385,292 S *	10/1997	Kun	D17/20
6,891,093 B2 *	5/2005	Huang	84/278
D561,236 S *	2/2008	Muir et al.	D17/20

* cited by examiner

Primary Examiner — Ian Simmons

Assistant Examiner — Rashida Johnson

(74) *Attorney, Agent, or Firm* — John D. Tran; Ardent Law Group

(57) **CLAIM**

The ornamental design for a violin shoulder rest, as shown and described.

DESCRIPTION

FIG. 1 is a perspective view of the violin shoulder rest; FIG. 2 is a side view of the violin shoulder rest; FIG. 3 is a top plan view of the violin shoulder rest; FIG. 4 is a bottom plan view of the violin shoulder rest; FIG. 5 is a left side view of the violin shoulder rest; FIG. 6 is a right side view of the violin shoulder rest; and, FIG. 7 is a top perspective view. The broken lines shown throughout the views represent the portions of the design which form no part of the claim.

1 Claim, 7 Drawing Sheets

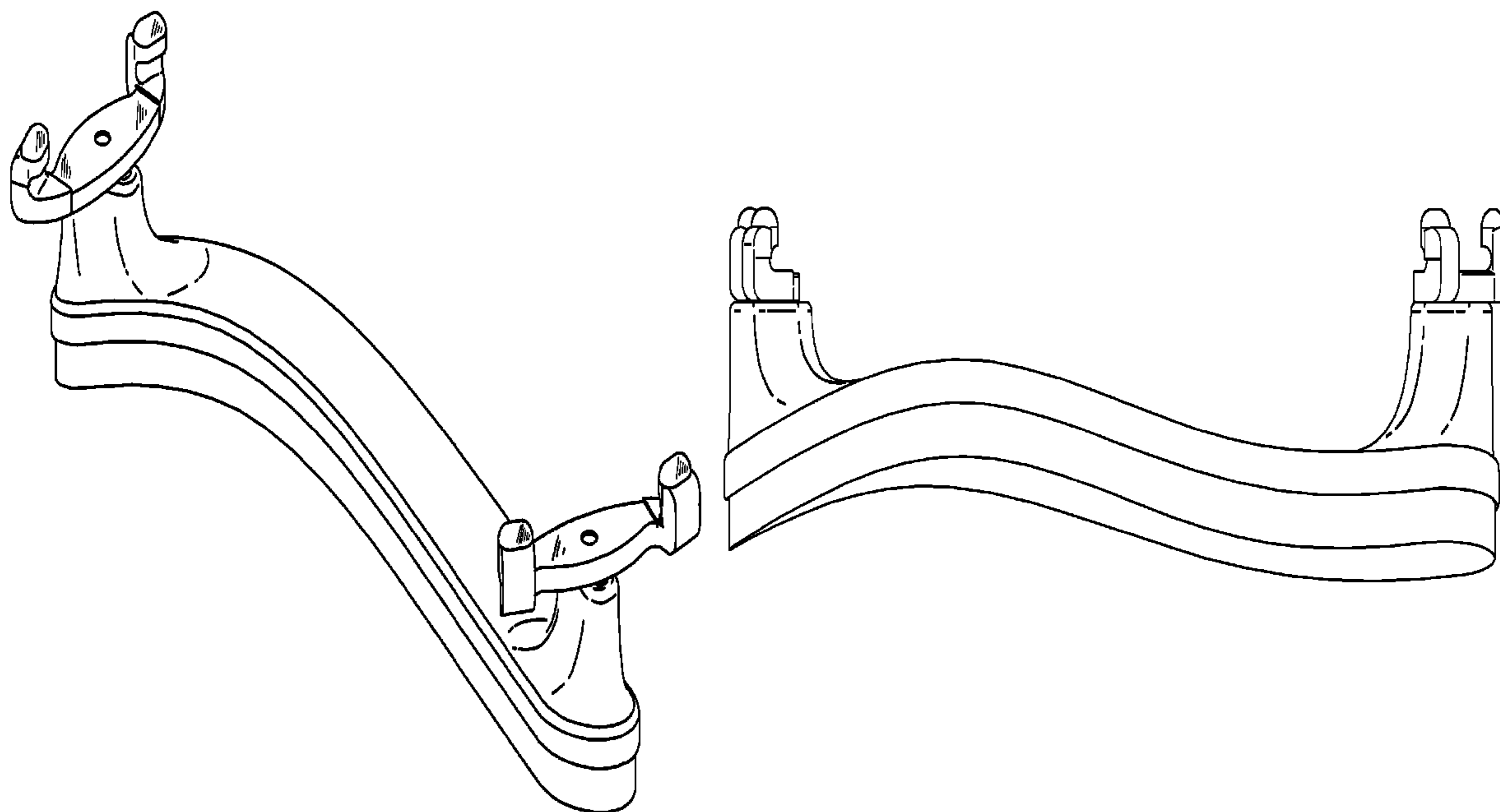


FIGURE 1

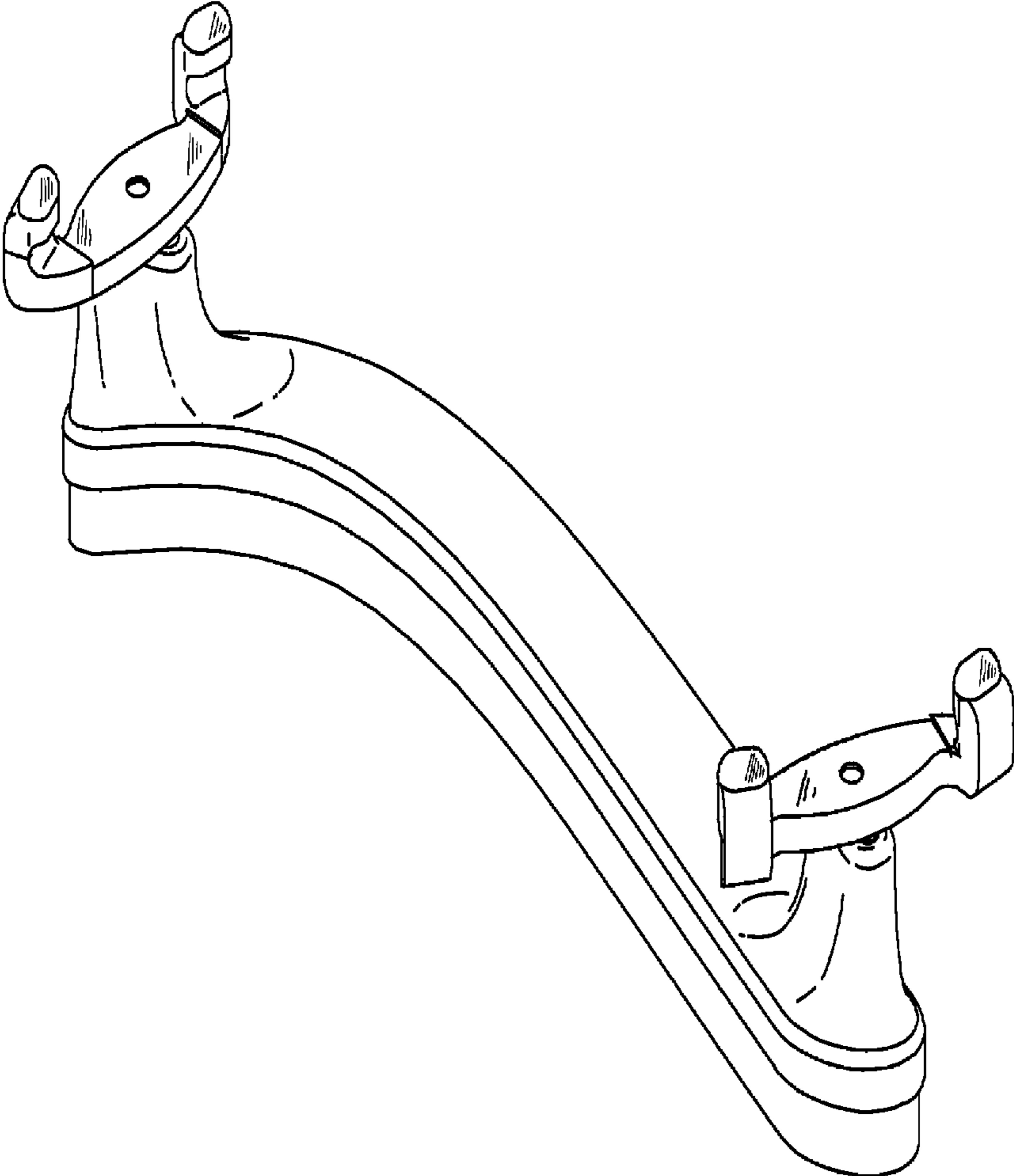


FIGURE 2

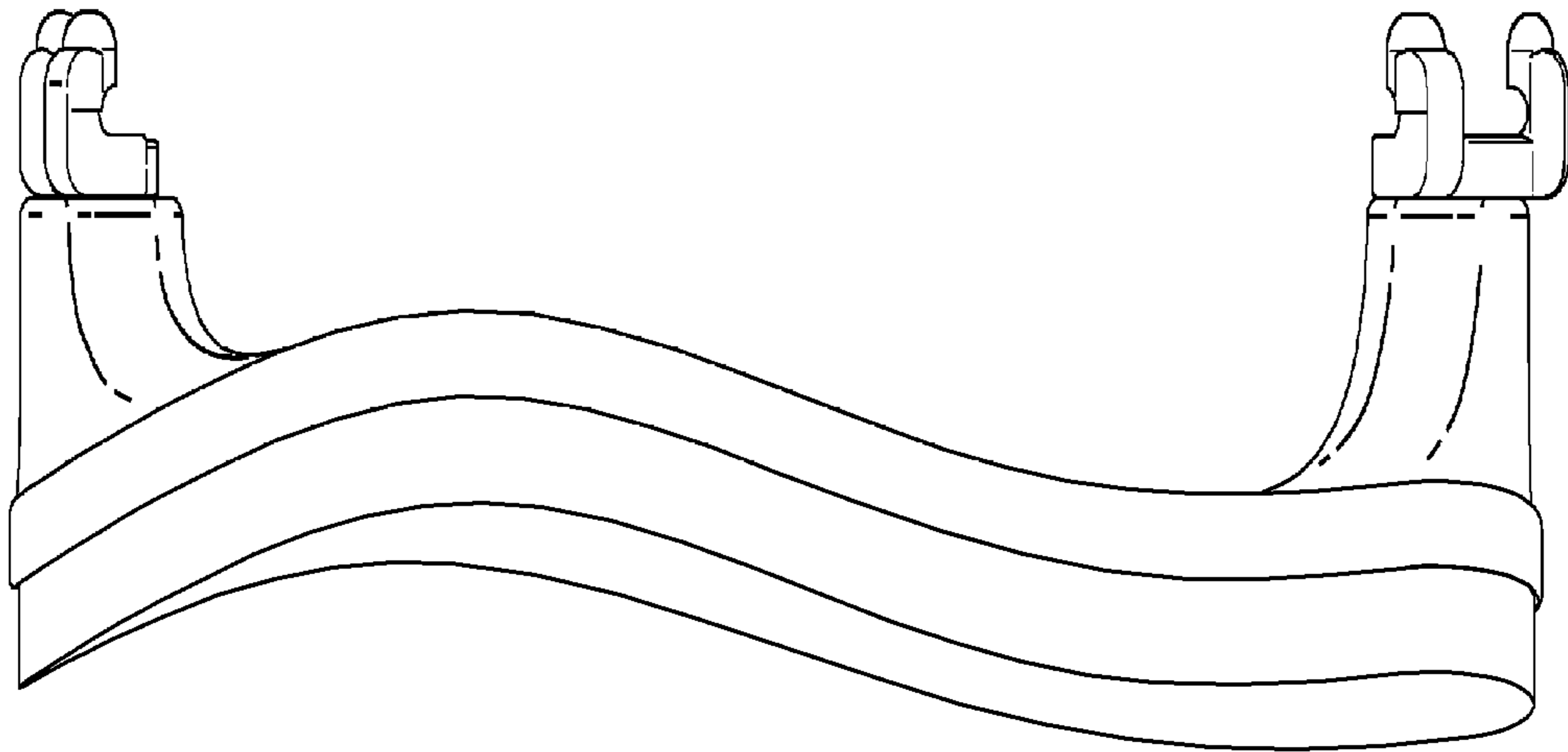


FIGURE 3

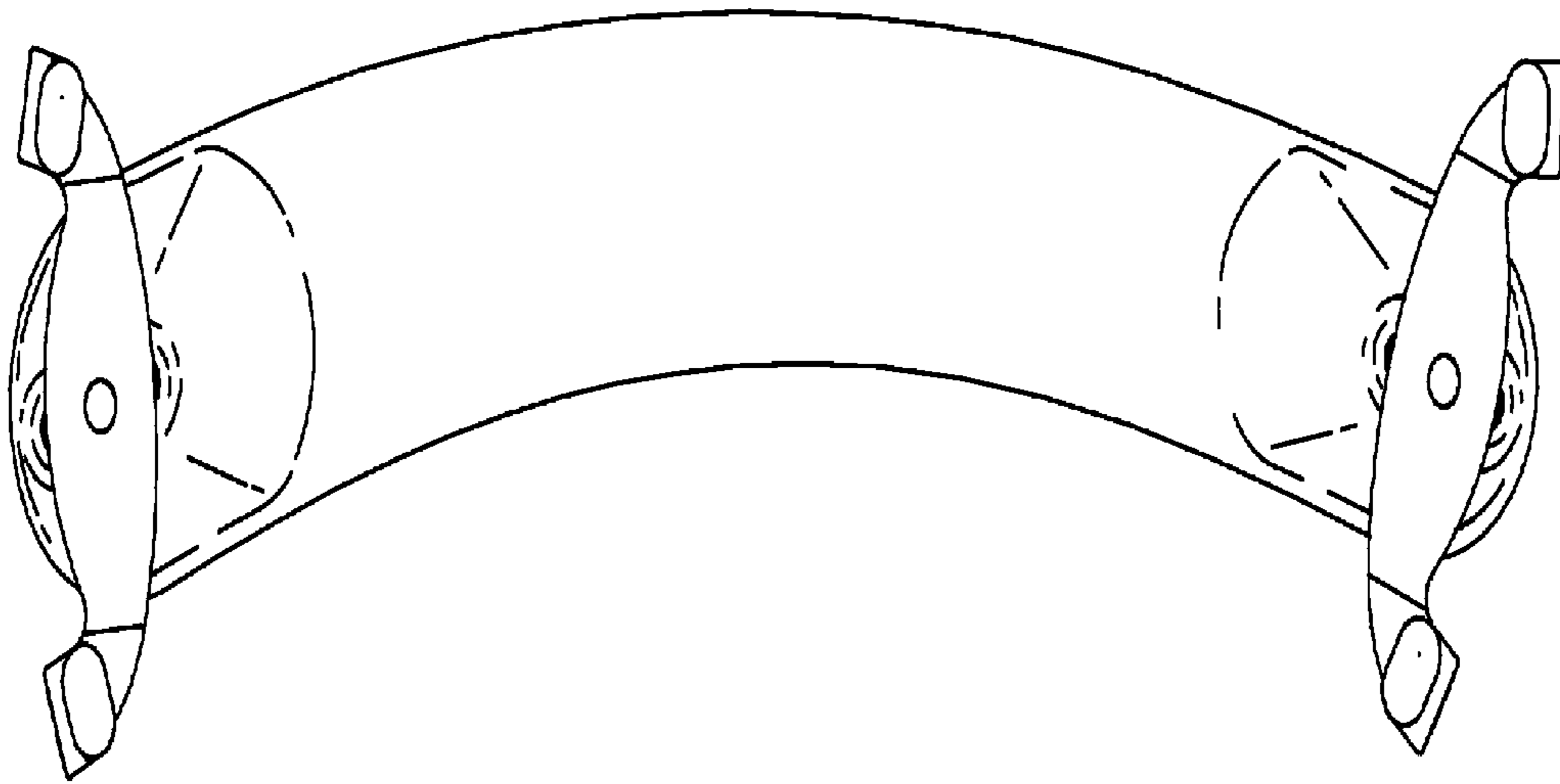


FIGURE 4

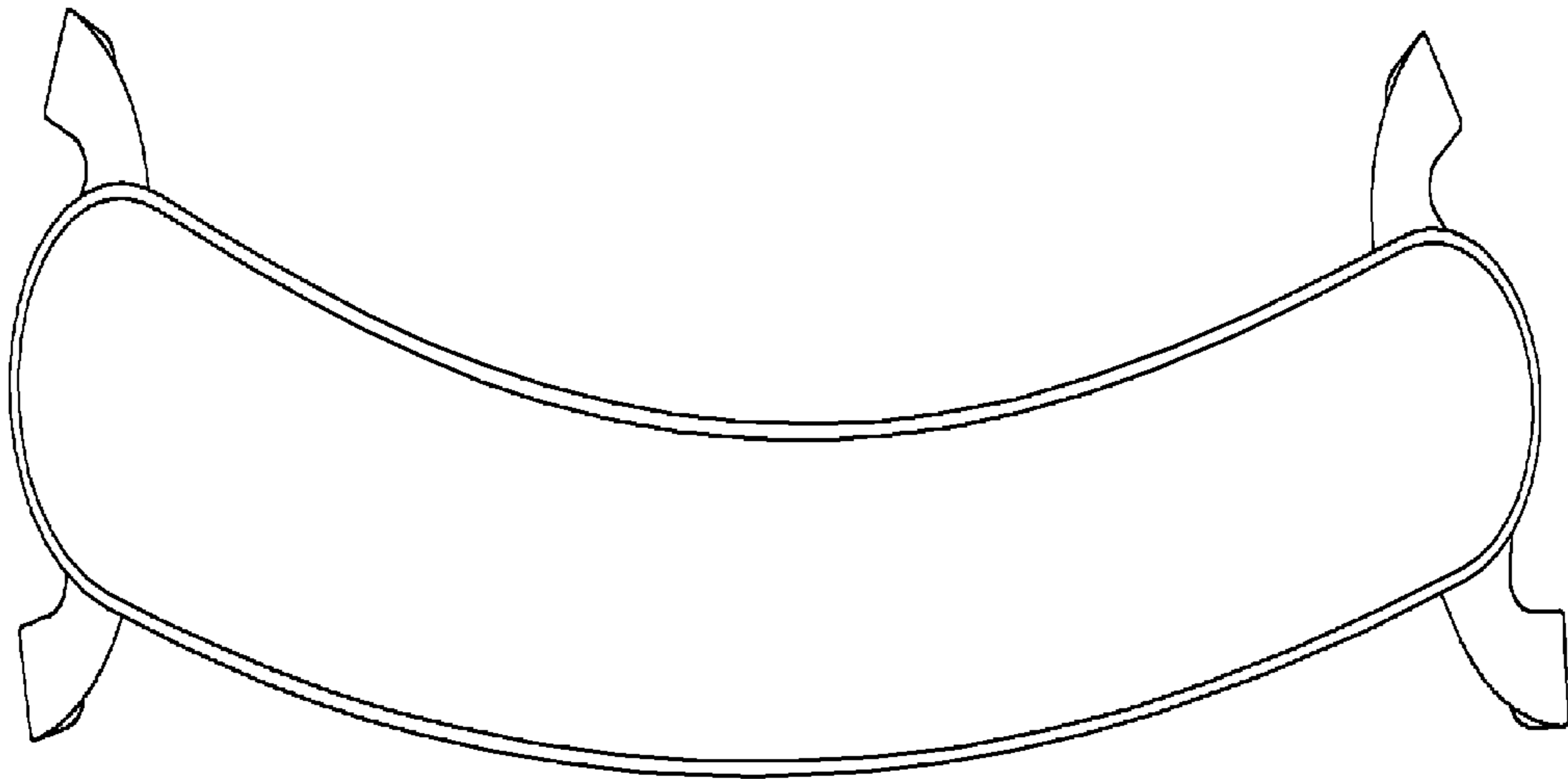


FIGURE 5

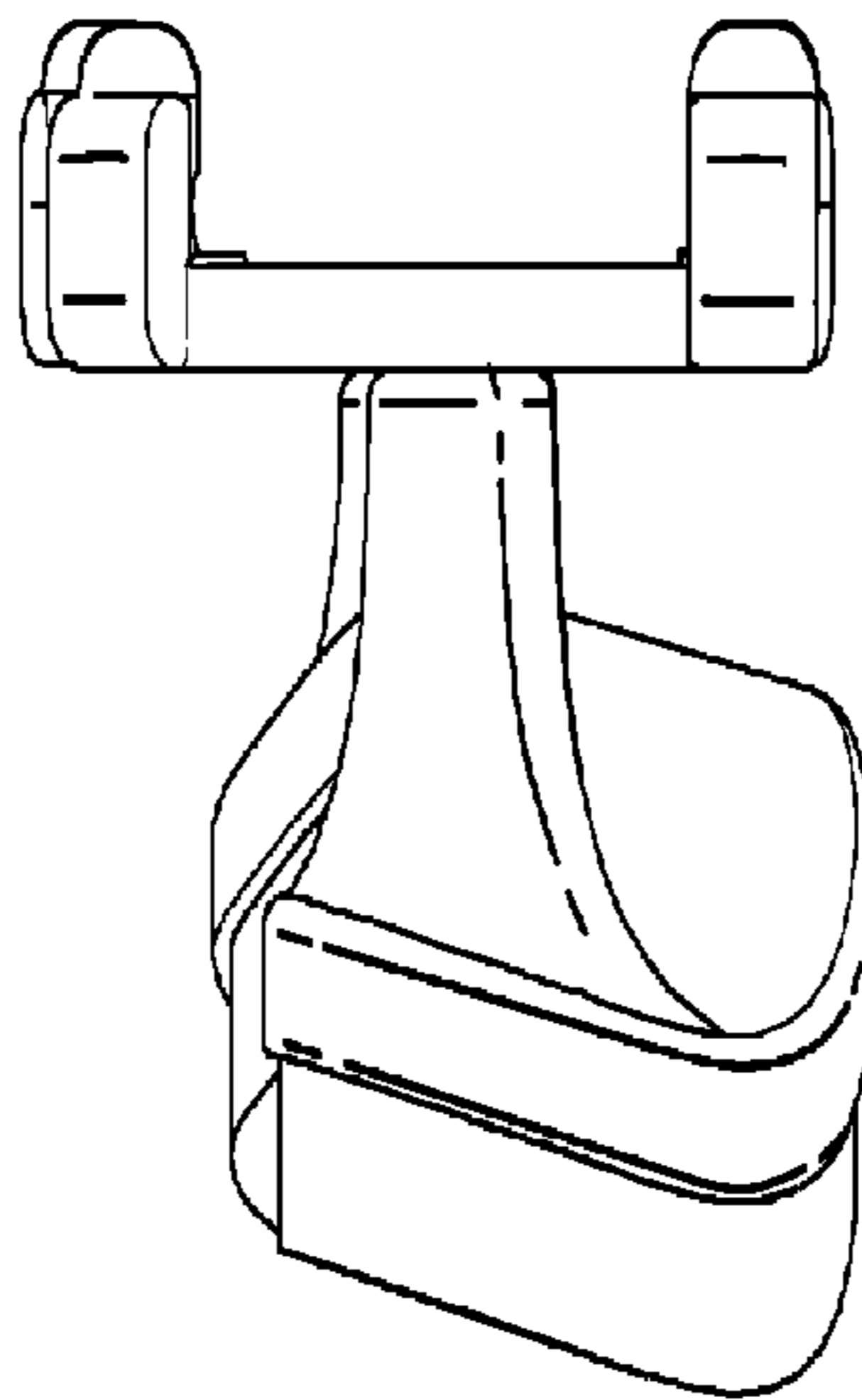


FIGURE 6

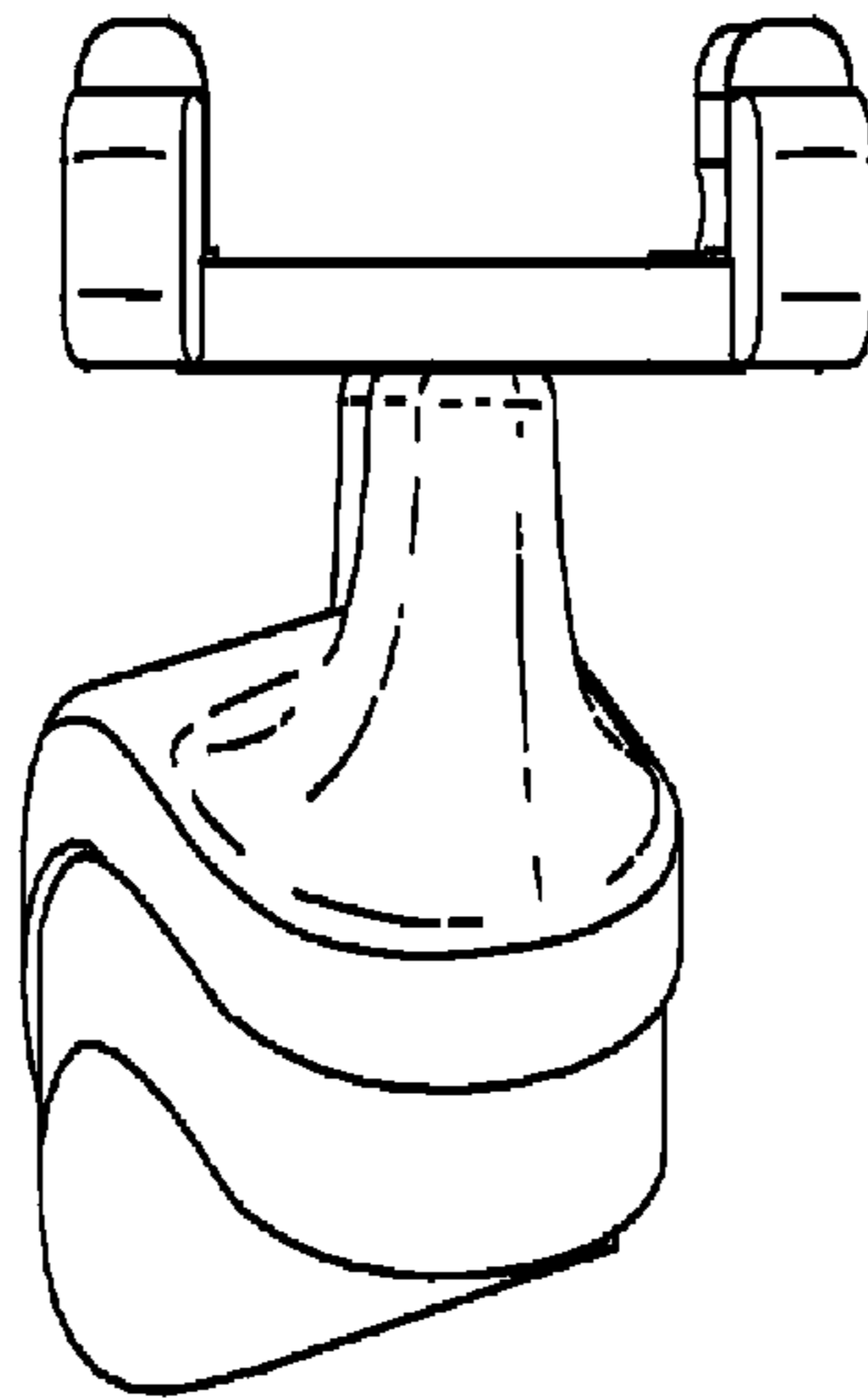


FIGURE 7

