



US00D636008S

(12) **United States Design Patent**
Yasutomi

(10) **Patent No.:** **US D636,008 S**

(45) **Date of Patent:** **** Apr. 12, 2011**

(54) **VIDEO CAMERA**

(75) Inventor: **Hiroshi Yasutomi**, Tokyo (JP)

(73) Assignee: **Sony Corporation**, Tokyo (JP)

(**) Term: **14 Years**

(21) Appl. No.: **29/347,569**

(22) Filed: **Mar. 5, 2010**

(30) **Foreign Application Priority Data**

Jan. 5, 2010 (CN) 2010 3 0002007
Jan. 6, 2010 (JP) D2010-000127
Jan. 6, 2010 (JP) D2010-000128

(51) **LOC (9) Cl.** **16-05**

(52) **U.S. Cl.** **D16/219**

(58) **Field of Classification Search** D16/200,
D16/202, 203, 204, 205, 218, 219; 348/373-376;
358/906; 396/528-532, 535
See application file for complete search history.

(56) **References Cited**

U.S. PATENT DOCUMENTS

4,330,192 A * 5/1982 Shimizu 396/529
4,391,488 A * 7/1983 Ishizaka et al. 396/529
D524,841 S * 7/2006 Ikenaga D16/219
D549,264 S * 8/2007 Tokiwa D16/219

D557,720 S 12/2007 Shimizu
D561,800 S 2/2008 Sadatsuki
D566,150 S 4/2008 Sadatsuki
D576,197 S 9/2008 Takagi
D593,588 S 6/2009 Tsuchiya et al.
D598,481 S * 8/2009 Sadatsuki et al. D16/219
D620,965 S * 8/2010 Takagi D16/219

FOREIGN PATENT DOCUMENTS

JP D1316584 S 12/2007

* cited by examiner

Primary Examiner — Adir Aronovich

(74) *Attorney, Agent, or Firm* — Rader, Fishman & Grauer PLLC

(57) **CLAIM**

The ornamental design for a video camera, as shown and described.

DESCRIPTION

FIG. 1 is a perspective view of a video camera showing my new design;

FIG. 2 is a front elevational view thereof.

FIG. 3 is a left side elevational view thereof;

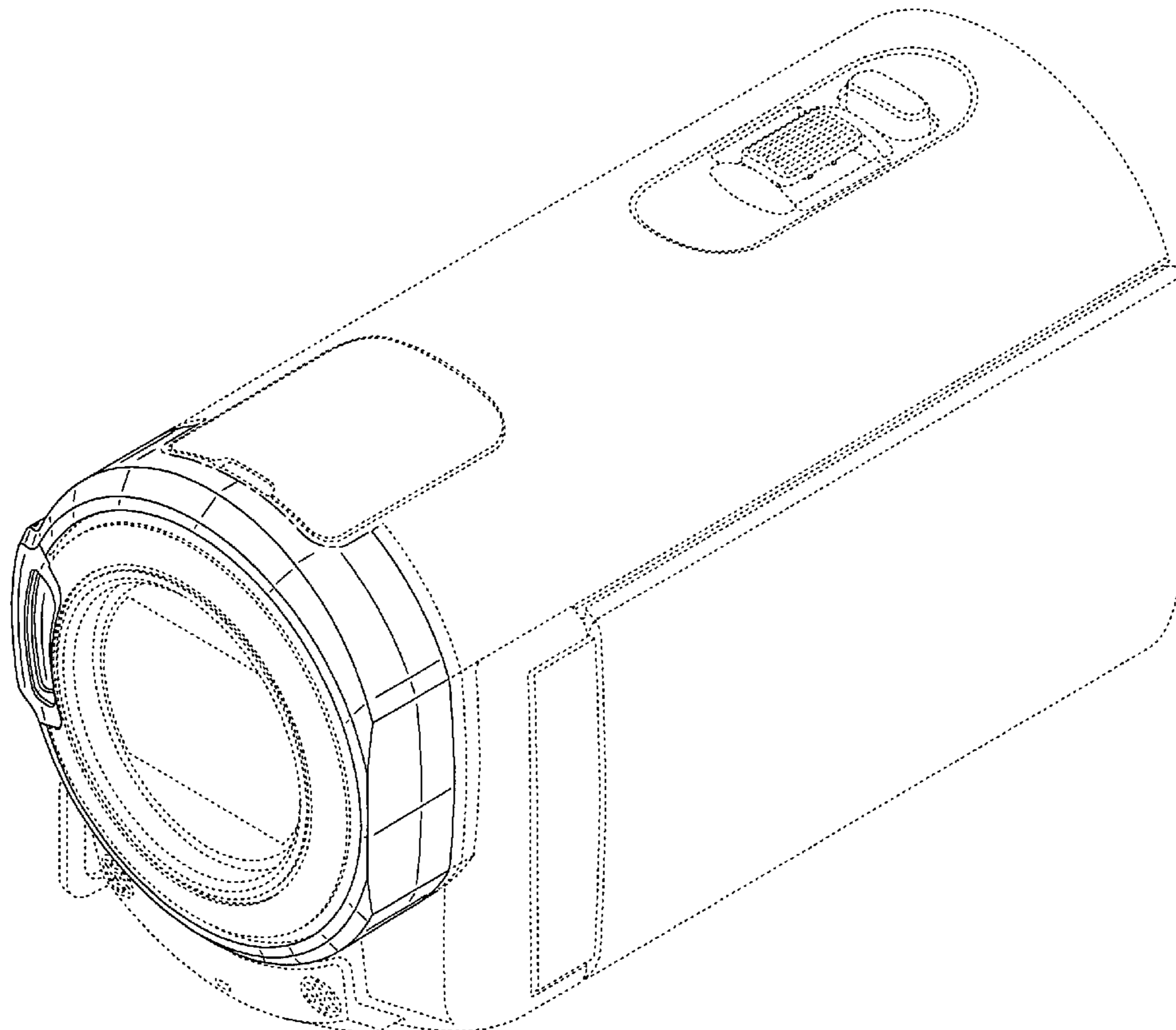
FIG. 4 is a right side elevational view thereof;

FIG. 5 is a top plan view thereof; and,

FIG. 6 is a bottom plan view thereof.

Portions in broken lines are for illustrative purpose only and form no part of the claimed design.

1 Claim, 6 Drawing Sheets



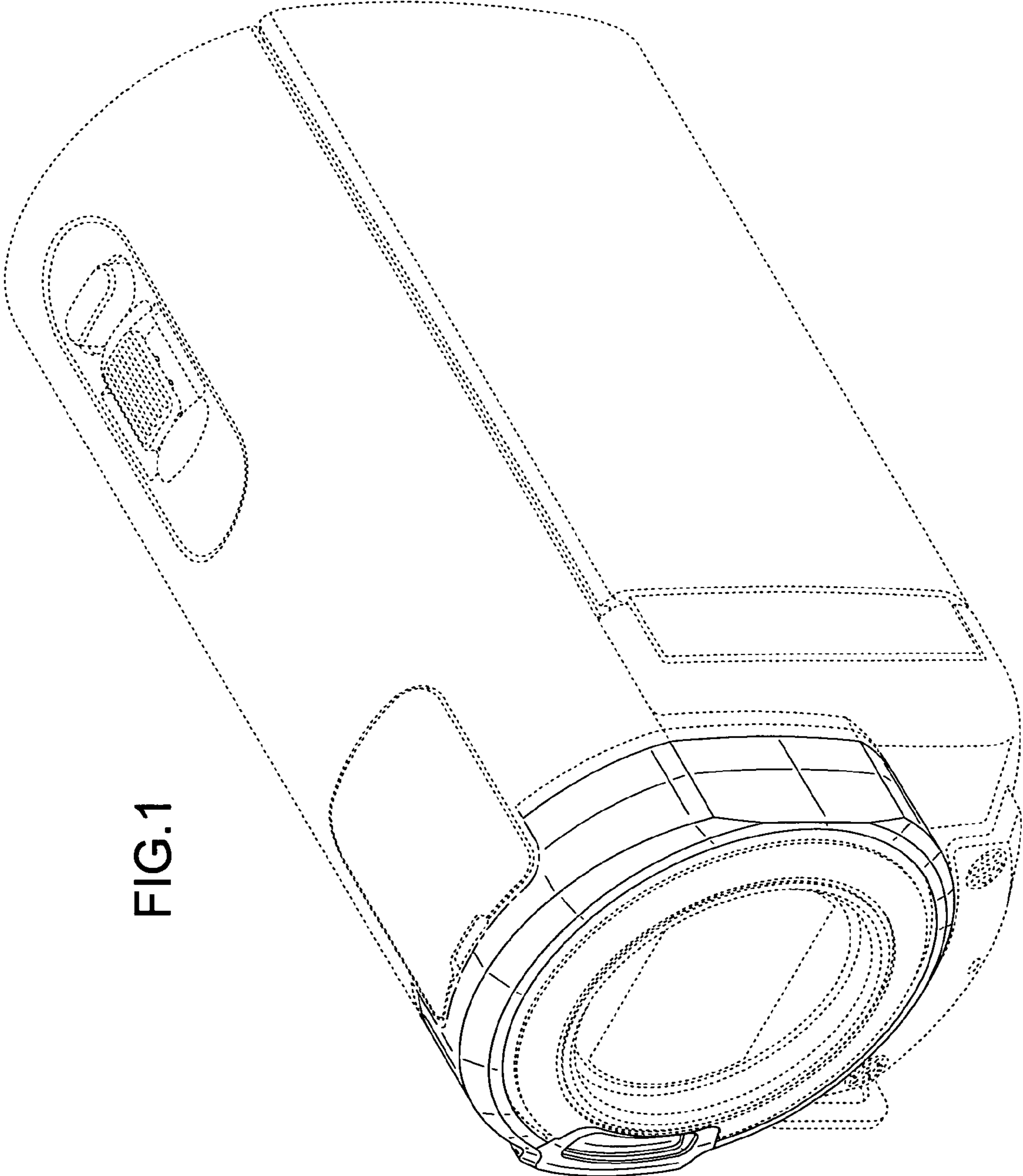


FIG.1

FIG.2

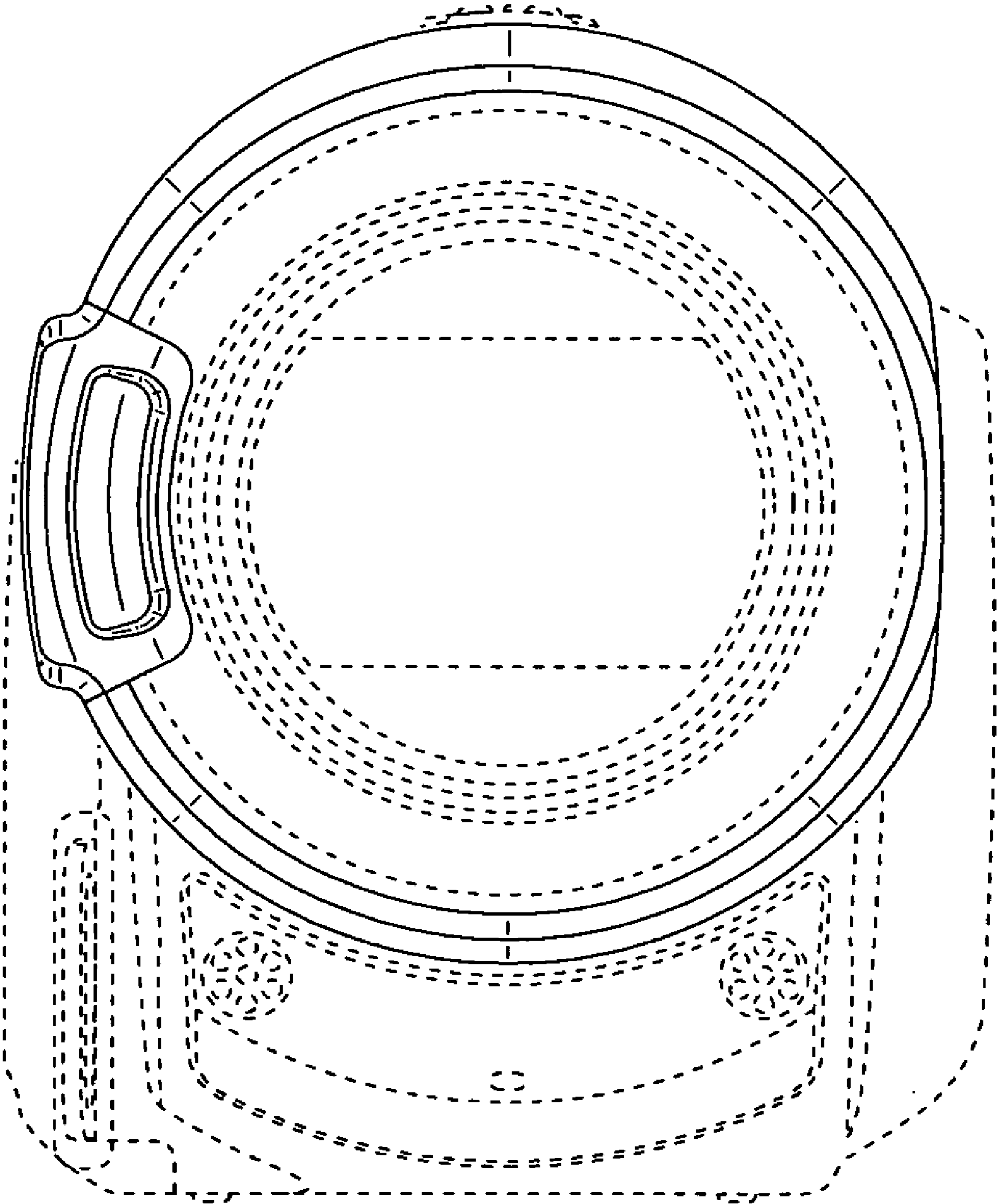


FIG.3

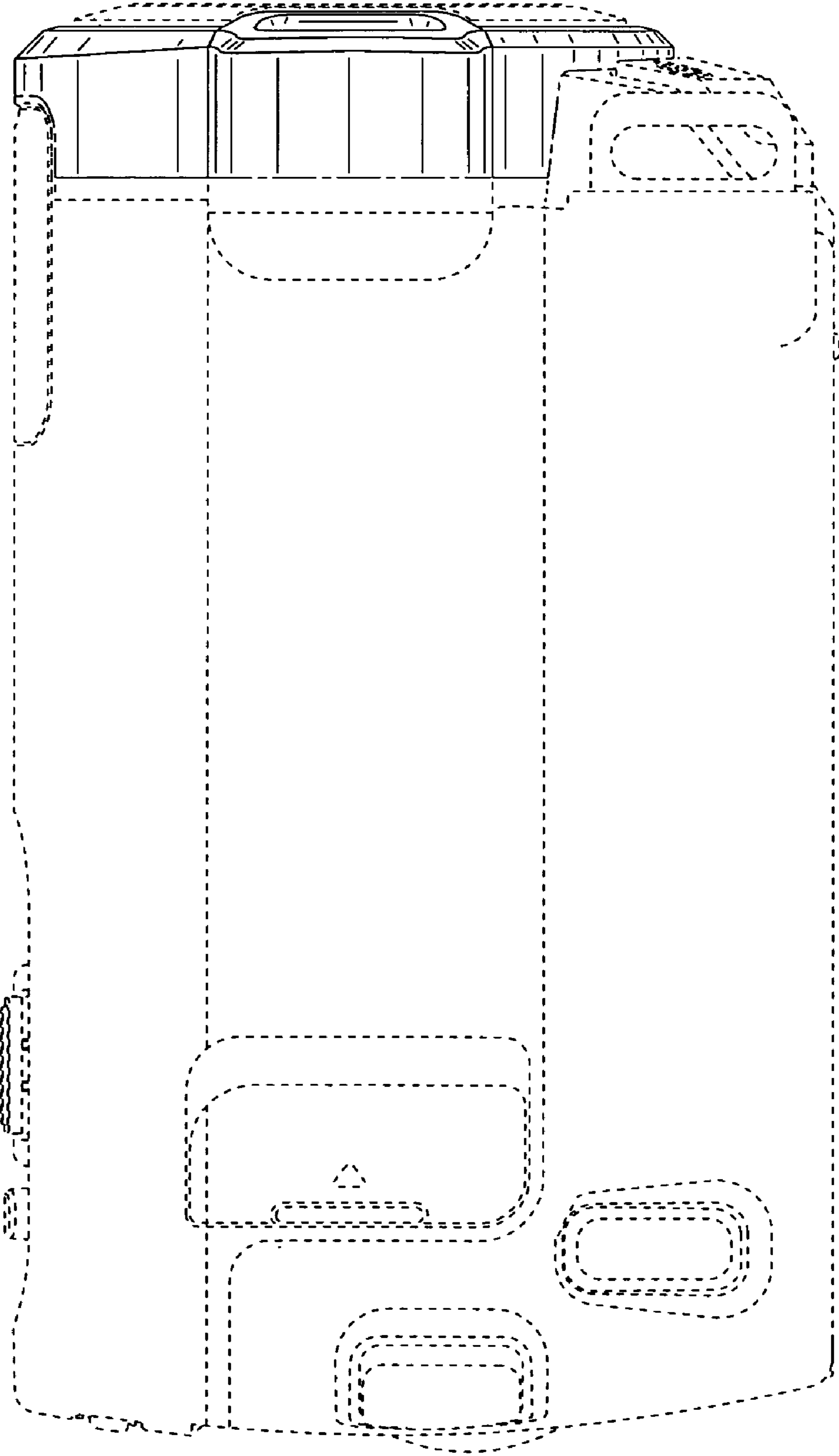


FIG.4

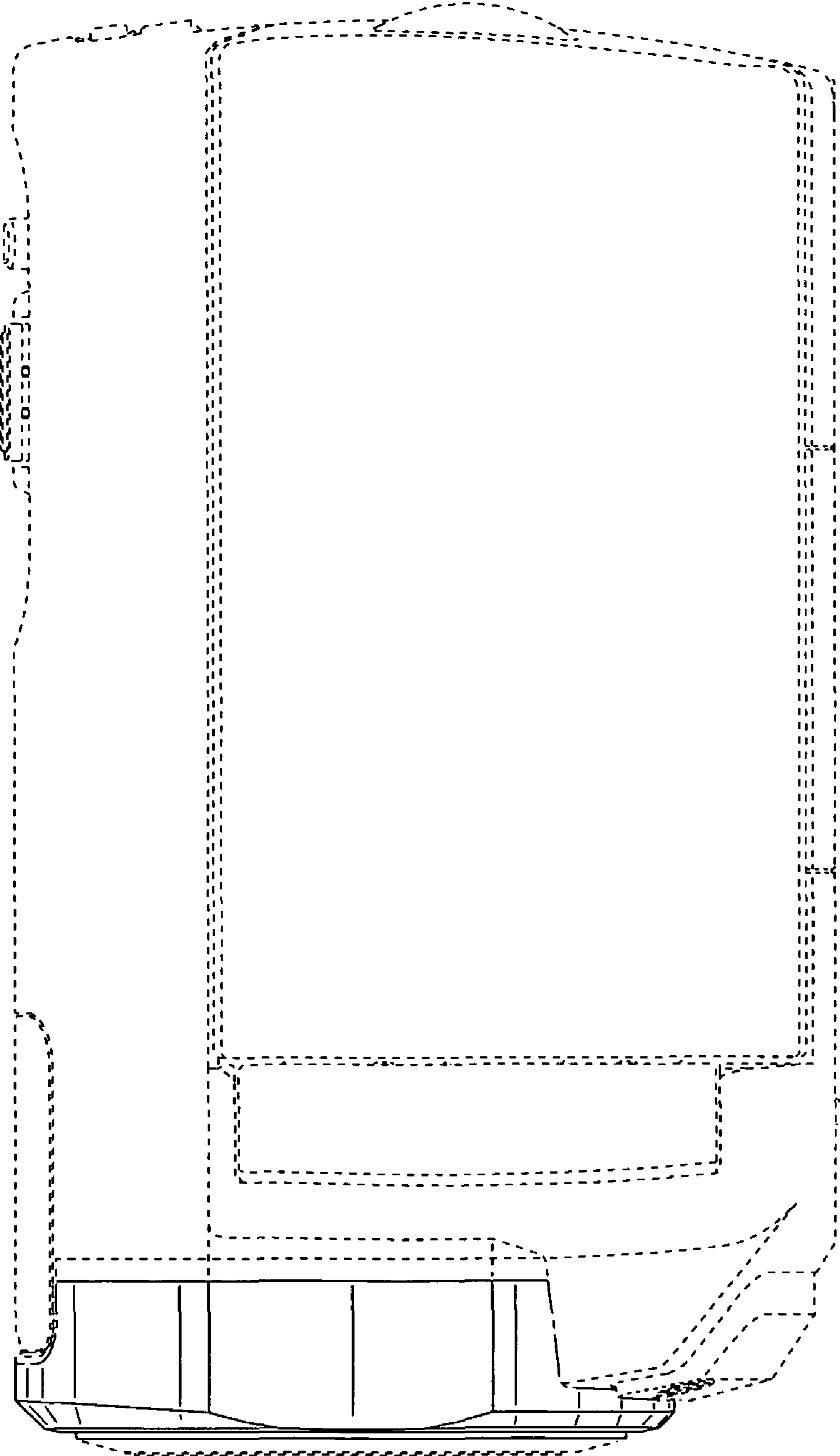


FIG.5

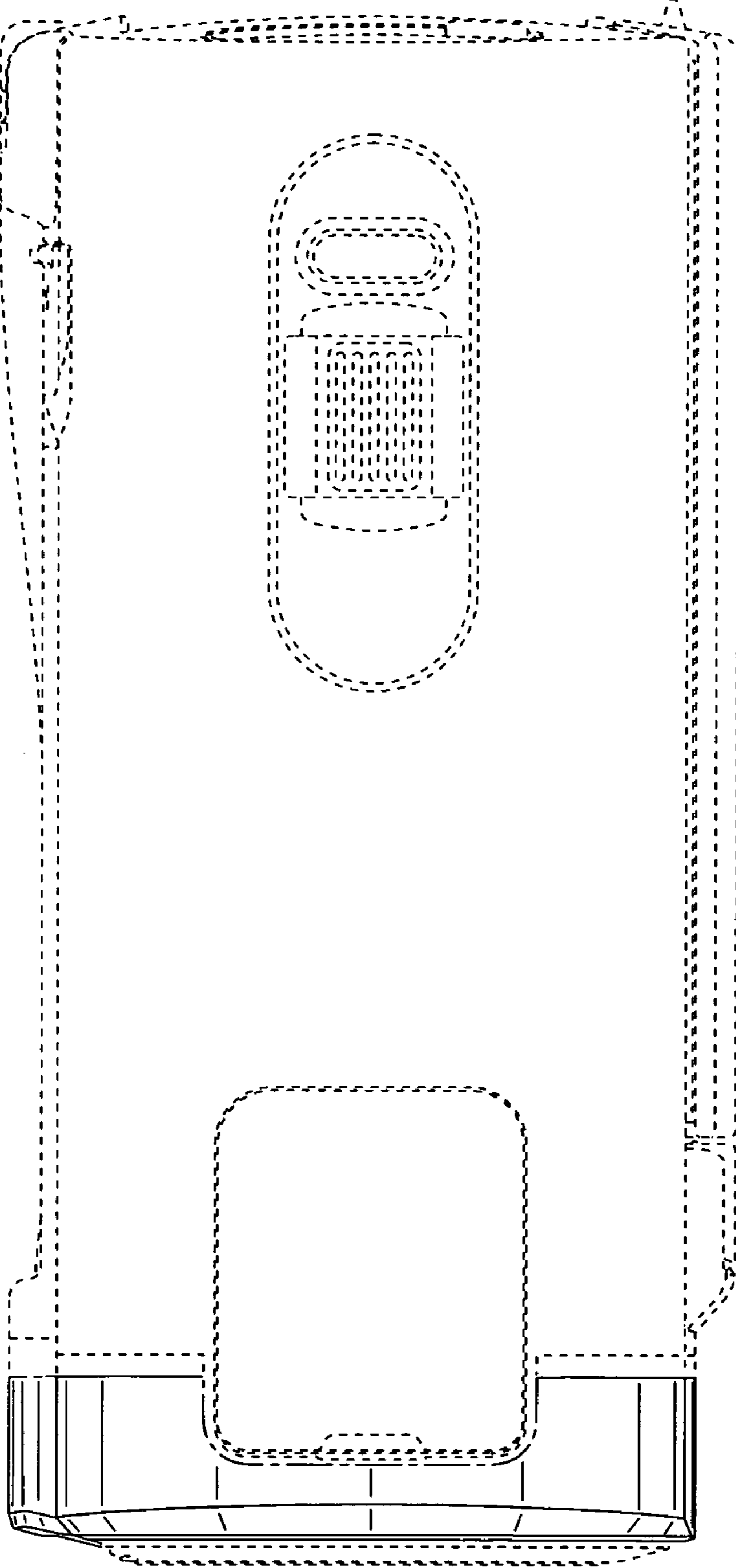


FIG.6

