



US00D636007S

(12) **United States Design Patent**
Peng

(10) **Patent No.:** **US D636,007 S**

(45) **Date of Patent:** **** Apr. 12, 2011**

(54) **IP CAMERA**

(75) **Inventor:** **Shih-Feng Peng**, Hsinchu County (TW)

(73) **Assignees:** **Brickcom Corporation**, Banqiao, Taipei County (TW); **Gemtek Technology Co., Ltd.**, Hukou Township, Hsinchu County (TW)

(**) **Term:** **14 Years**

(21) **Appl. No.:** **29/367,380**

(22) **Filed:** **Aug. 6, 2010**

(51) **LOC (9) Cl.** **16-01**

(52) **U.S. Cl.** **D16/203; D16/202**

(58) **Field of Classification Search** D16/200–205,
D16/208, 218; 348/143, 373–376; 358/909.1;
396/427, 535–541

See application file for complete search history.

(56) **References Cited**

U.S. PATENT DOCUMENTS

D244,686	S *	6/1977	Hansen	D16/218
6,683,653	B1 *	1/2004	Miyake et al.	348/373
6,768,868	B1 *	7/2004	Schnell	396/427
D518,843	S *	4/2006	Tullberg et al.	D16/202

D542,820	S *	5/2007	Depay	D16/202
D591,321	S *	4/2009	Sheppard et al.	D16/202
D609,727	S *	2/2010	Adolfsson et al.	D16/203
D610,178	S *	2/2010	Adolfsson et al.	D16/203
D617,821	S *	6/2010	Kaplan et al.	D16/202
D619,155	S *	7/2010	Kim et al.	D16/202

* cited by examiner

Primary Examiner — Adir Aronovich

(74) *Attorney, Agent, or Firm* — Muncy, Geissler, Olds & Lowe, PLLC

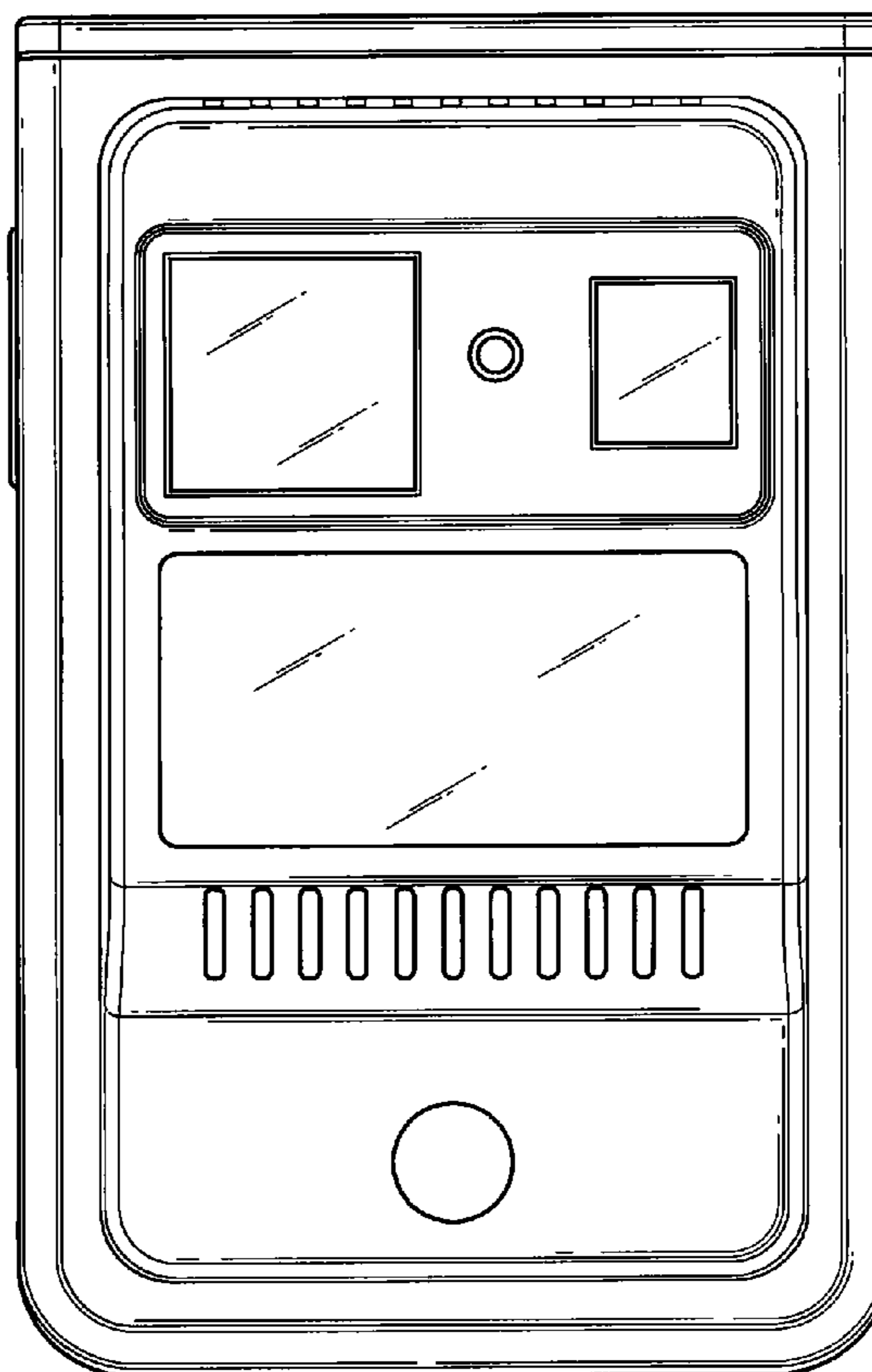
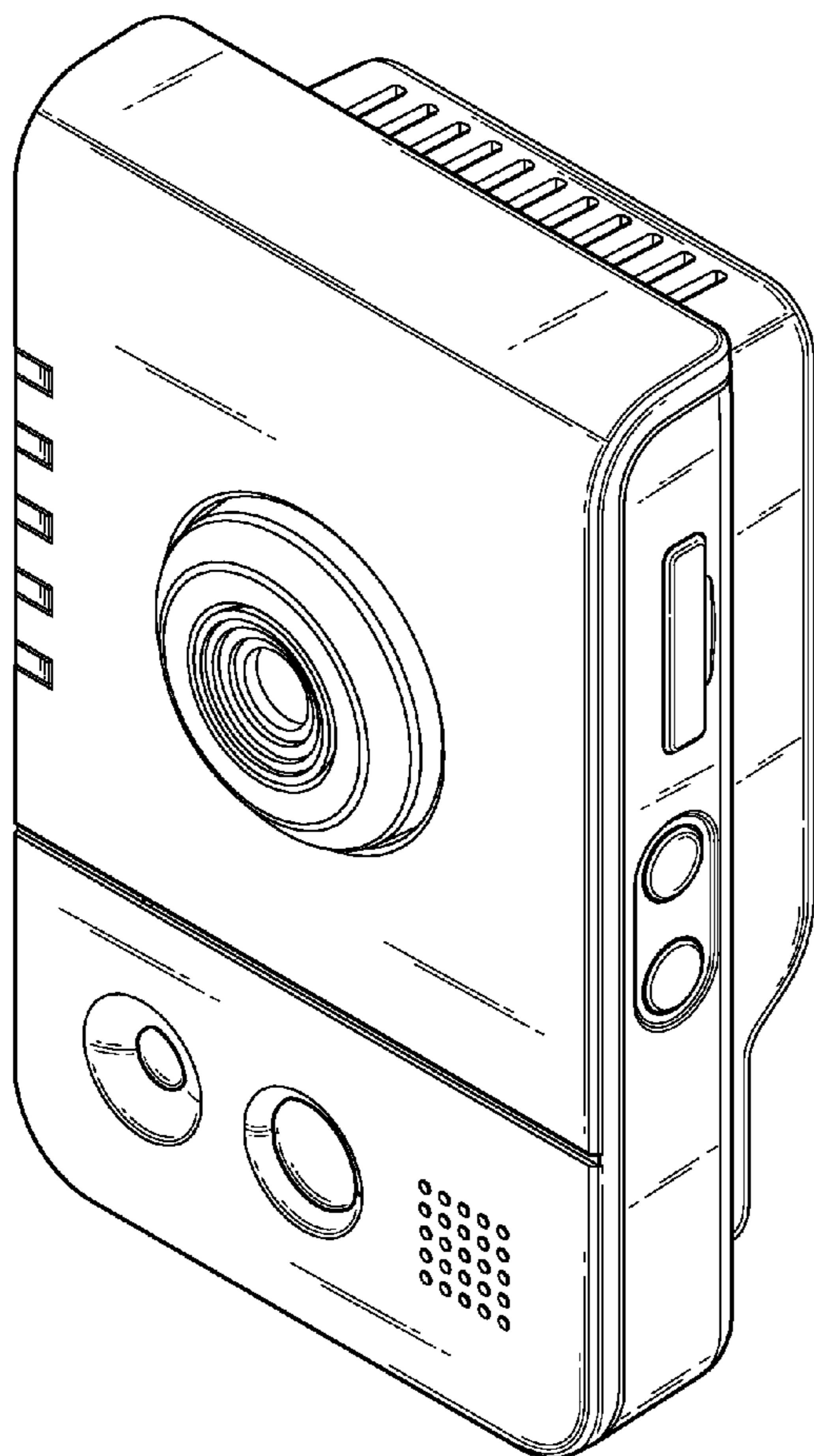
(57) **CLAIM**

The ornamental design for an IP camera, as shown and described.

DESCRIPTION

FIG. 1 is a top, front and right side perspective view of a IP camera showing my new design;
FIG. 2 is a front elevational view thereof;
FIG. 3 is a rear elevational view thereof;
FIG. 4 is a left side elevational view thereof;
FIG. 5 is a right side elevational view thereof;
FIG. 6 is a top plan view thereof; and,
FIG. 7 is a bottom plan view thereof.

1 Claim, 6 Drawing Sheets



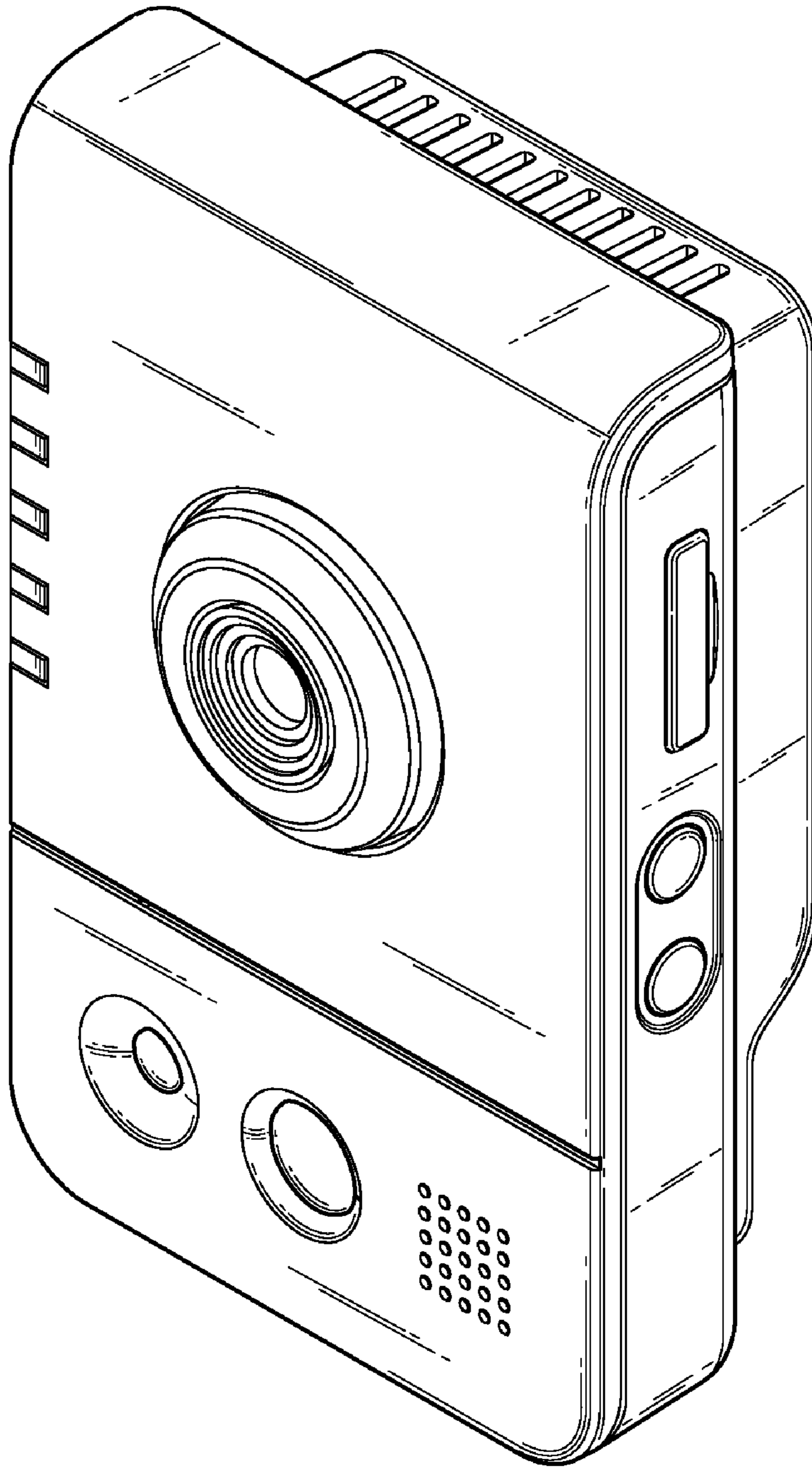


Fig . 1

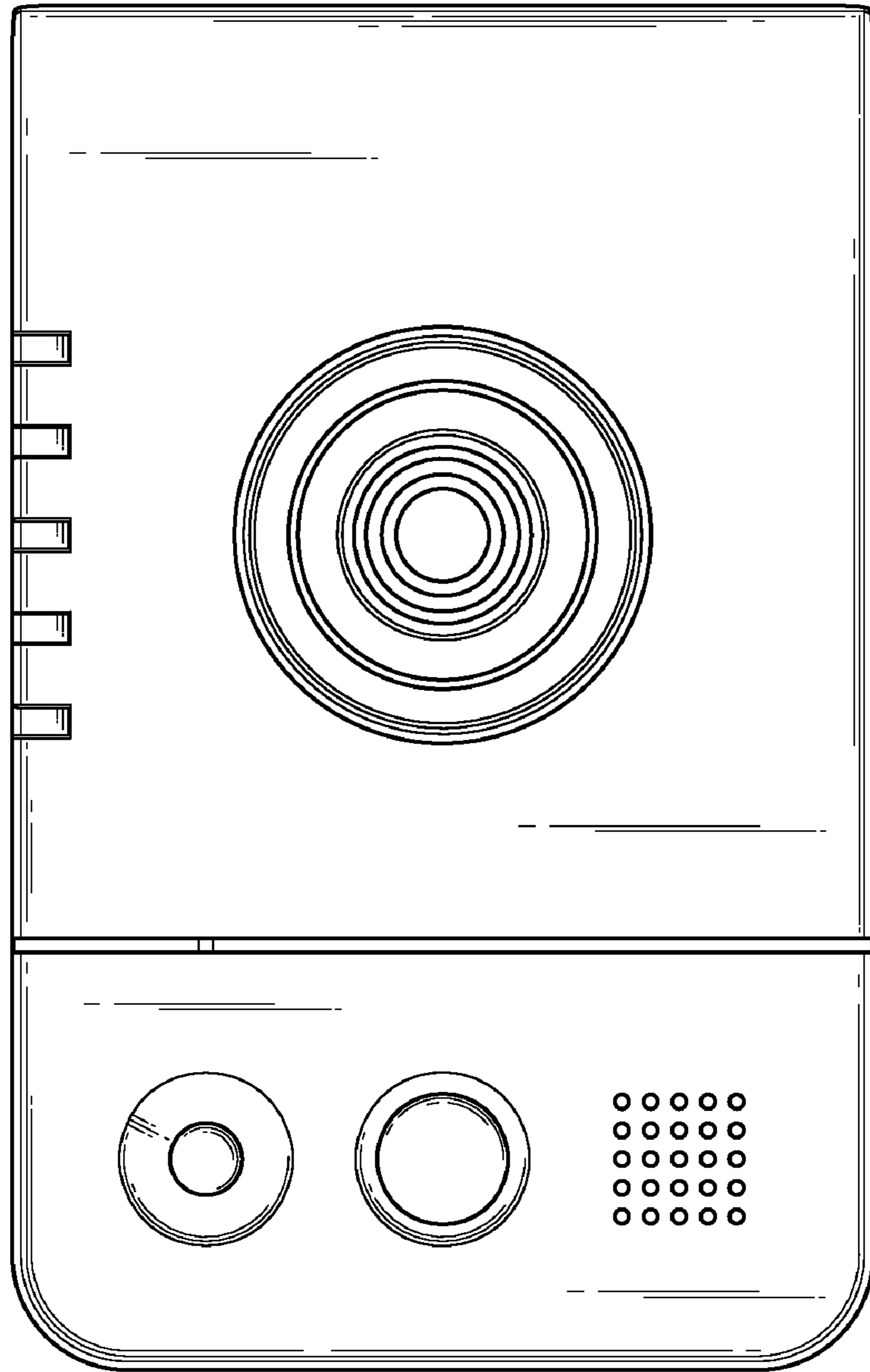


Fig . 2

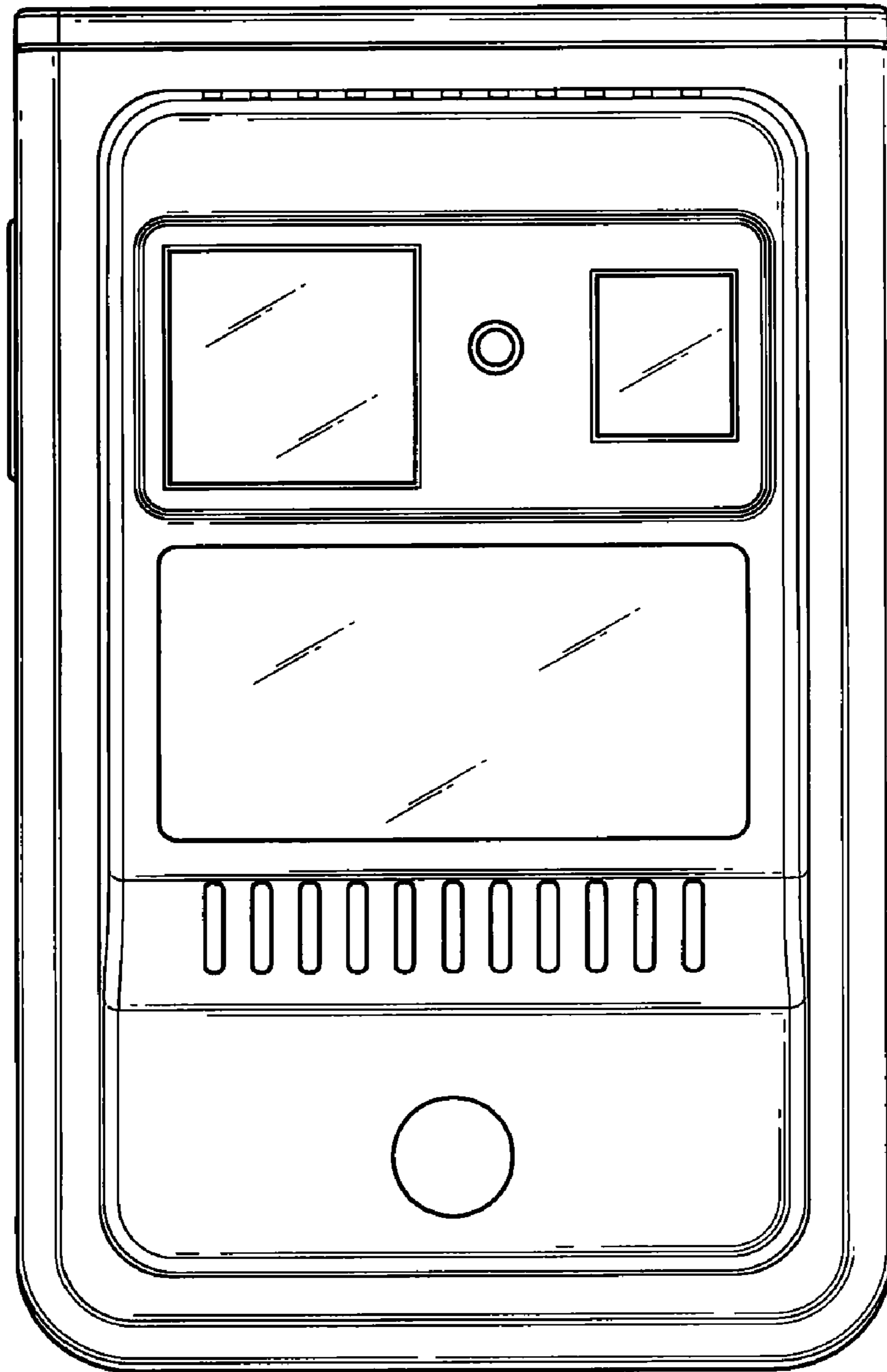


Fig . 3

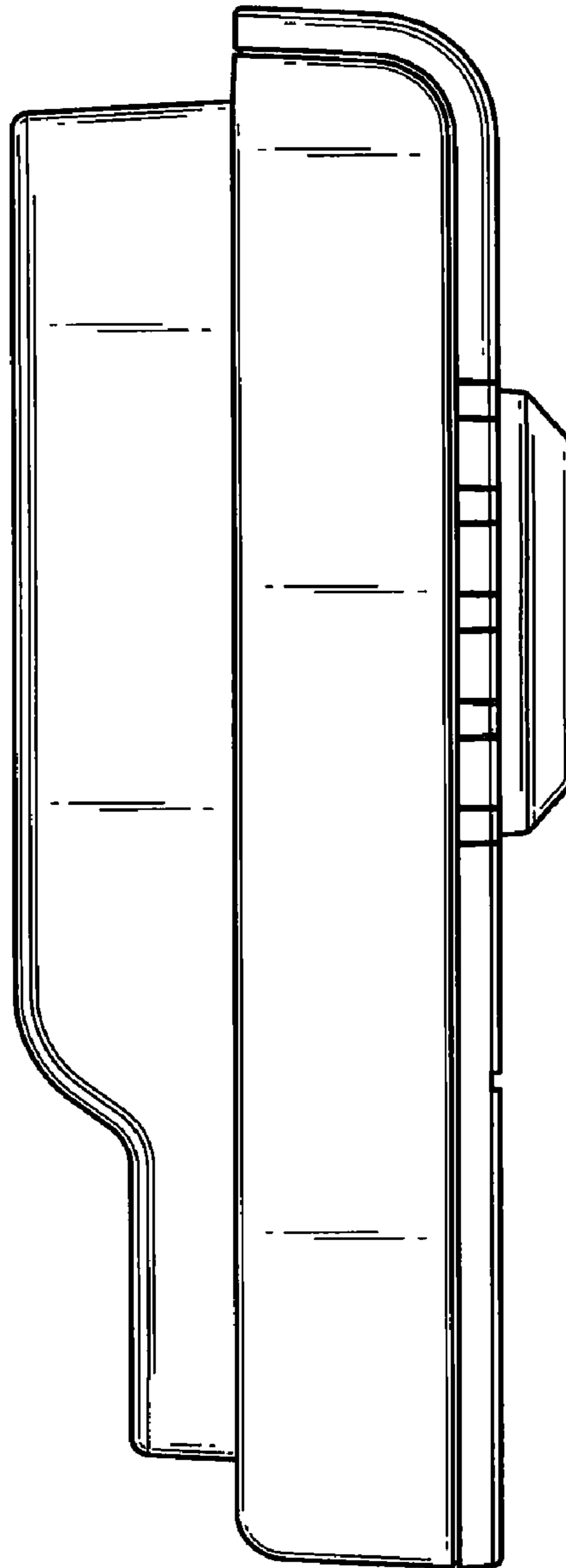


Fig . 4

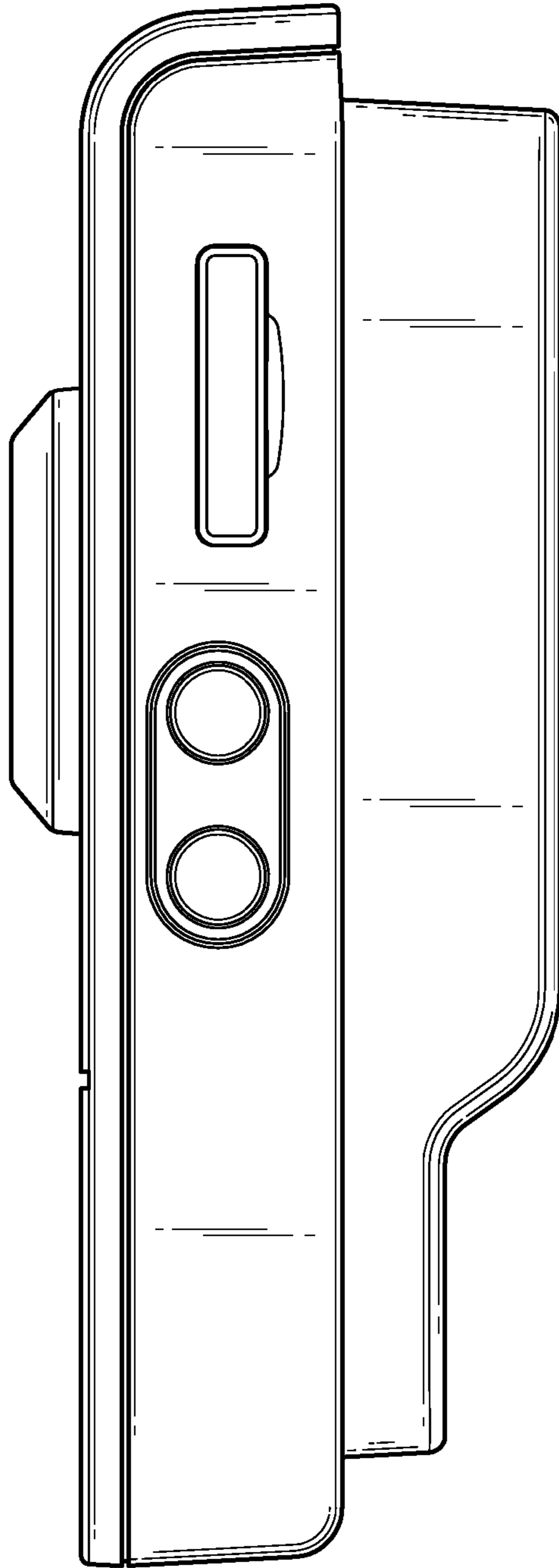


Fig . 5

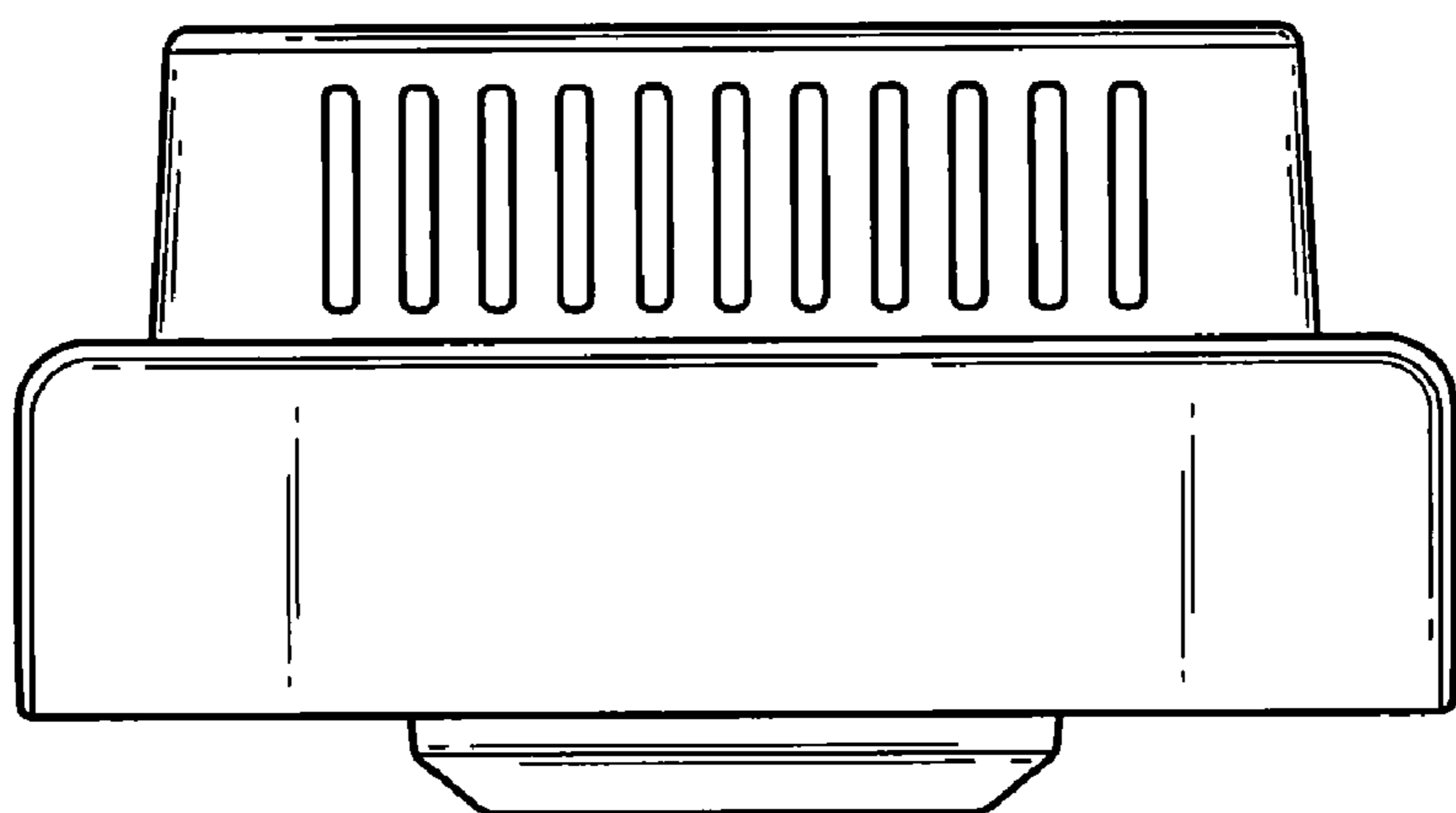


Fig . 6

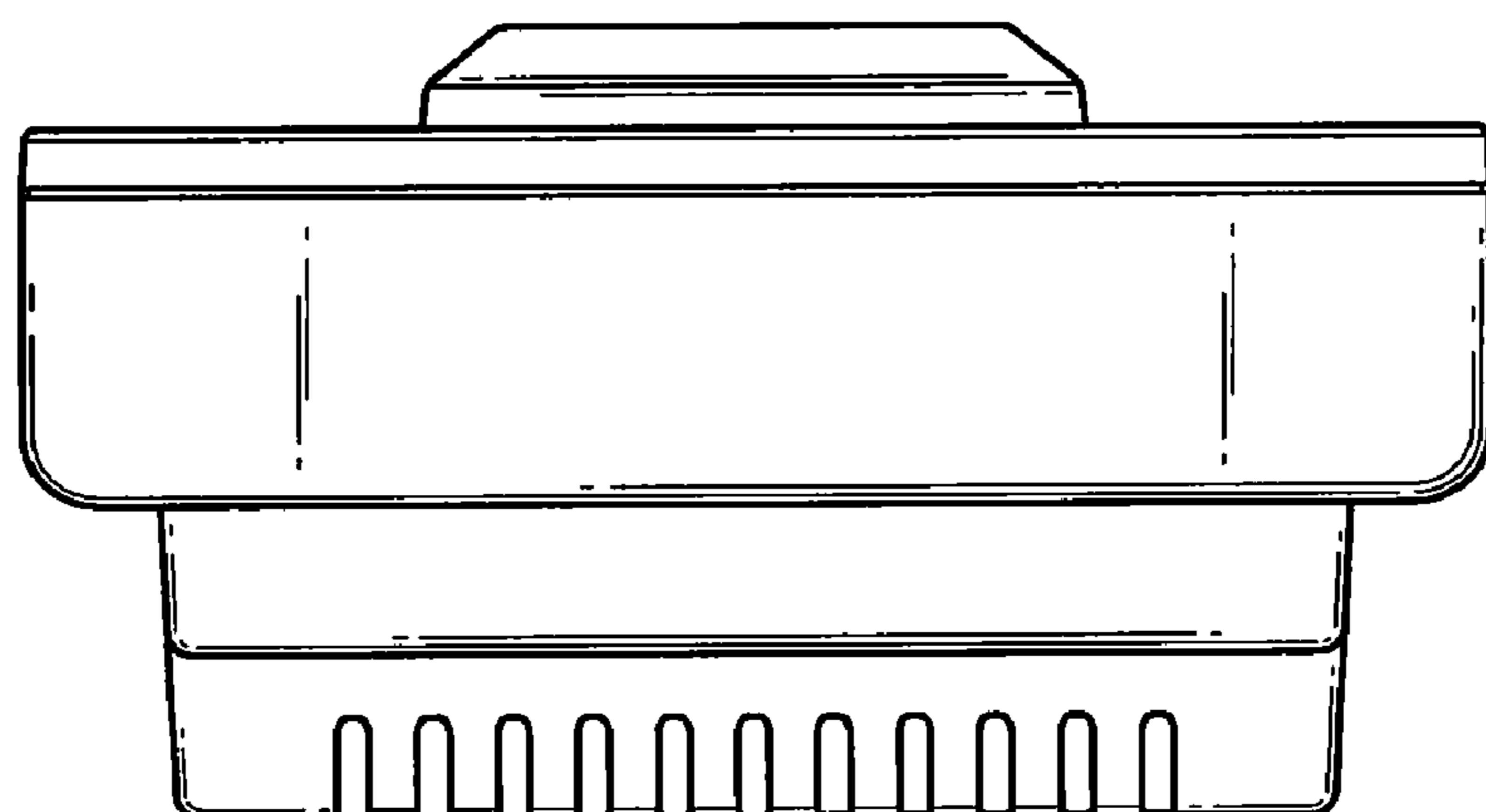


Fig . 7