

US00D636001S

(12) **United States Design Patent**
Martin et al.

(10) **Patent No.:** **US D636,001 S**

(45) **Date of Patent:** **** Apr. 12, 2011**

(54) **BODY UNIT ASSEMBLY OF A RIDING LAWN MOWER**

(75) Inventors: **David J. Martin**, Eden Prairie, MN (US); **Alan J. Kummet**, Champlin, MN (US)

(73) Assignee: **The Tord Company**, Bloomington, MN (US)

(**) Term: **14 Years**

(21) Appl. No.: **29/369,584**

(22) Filed: **Sep. 10, 2010**

(51) **LOC (9) Cl.** **15-03**

(52) **U.S. Cl.** **D15/33**

(58) **Field of Classification Search** D15/10, D15/14, 15, 22-26, 33; 180/69.2, 89.1, 89.12, 180/900, 273; 56/12.7, 15.8, 16.7, 13.3, 56/10.1, 202, 320.1, 320.2, 15.9, 255, 294
See application file for complete search history.

(56) **References Cited**

U.S. PATENT DOCUMENTS

D340,461 S *	10/1993	Patterson et al.	D15/15
D392,981 S *	3/1998	Smith	D15/15
D393,267 S *	4/1998	Wolf	D15/17
D397,121 S *	8/1998	Smith	D15/15
D398,311 S *	9/1998	Smith	D15/15
D428,023 S *	7/2000	Surridge et al.	D15/31
D440,982 S *	4/2001	Knight et al.	D15/23
D447,491 S *	9/2001	Goebert et al.	D15/17

D448,036 S *	9/2001	Goebert et al.	D15/17
D449,056 S *	10/2001	Westimayer et al.	D15/28
D457,175 S *	5/2002	Goebert et al.	D15/33
D460,088 S *	7/2002	Hohnl et al.	D15/33
D484,894 S *	1/2004	McCord et al.	D15/28
D512,444 S *	12/2005	Ayers et al.	D15/15
D538,302 S *	3/2007	Higashikawa	D15/15
D560,690 S *	1/2008	Higashikawa	D15/10
D626,572 S *	11/2010	Moriguchi et al.	D15/15

* cited by examiner

Primary Examiner — Mark A Goodwin

(74) *Attorney, Agent, or Firm* — James W. Miller

(57) **CLAIM**

The ornamental design for a body unit assembly of a riding lawn mower, as shown and described.

DESCRIPTION

FIG. 1 is a perspective view of a body unit assembly of a riding lawn mower showing our new design, the body comprising a rear cowl, a pair of laterally spaced side consoles adjacent the rear cowl and forming with the rear cowl a pair of rear wheel fenders, and a front cover spaced forwardly of the rear cowl and side consoles;

FIG. 2 is a front elevational view thereof;

FIG. 3 is a right elevational view thereof;

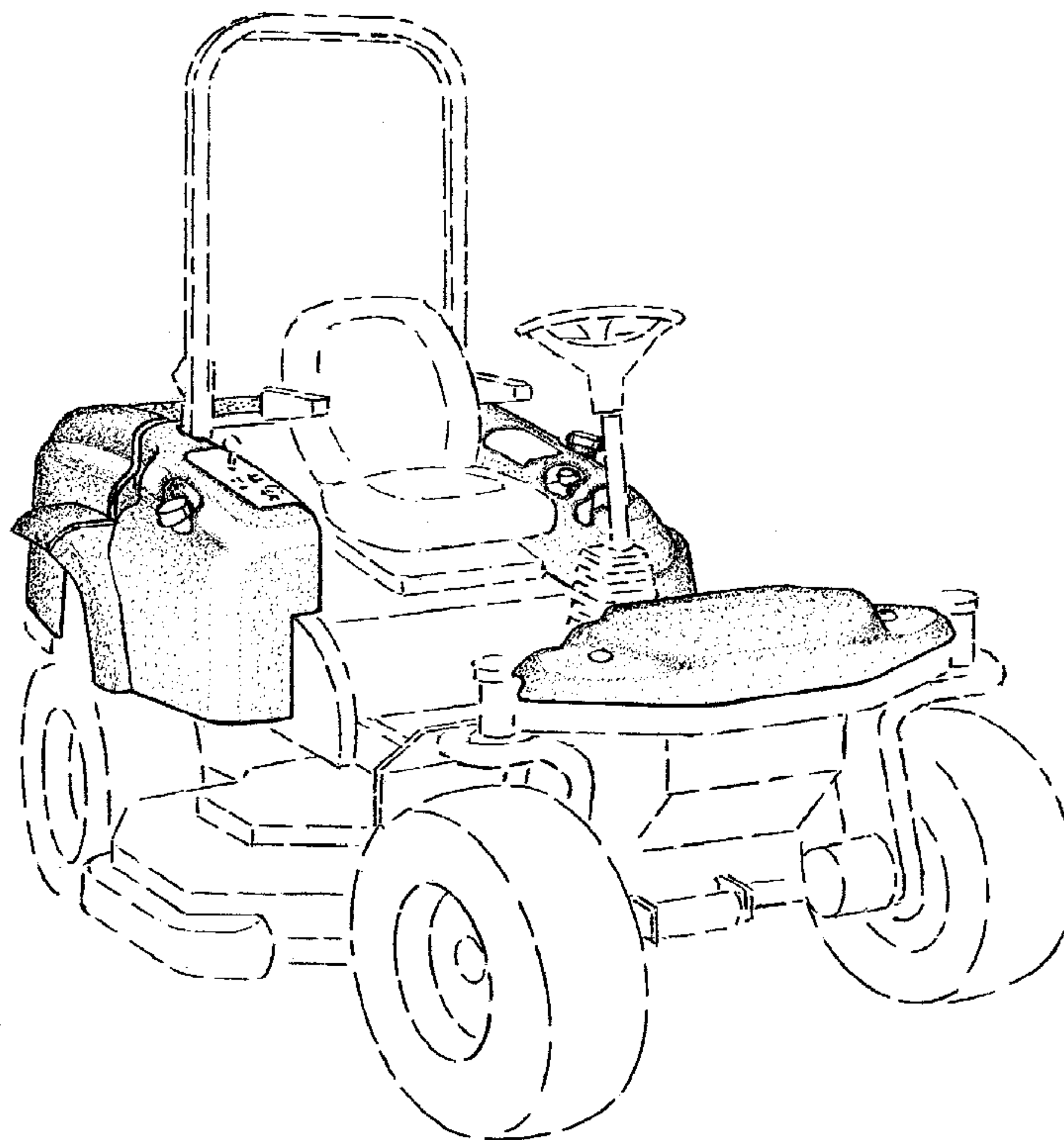
FIG. 4 is a left elevational view thereof;

FIG. 5 is a back elevational view thereof; and,

FIG. 6 is a top plan view thereof.

The broken line showing is for illustrative purposes only and forms no part of the claimed design.

1 Claim, 6 Drawing Sheets



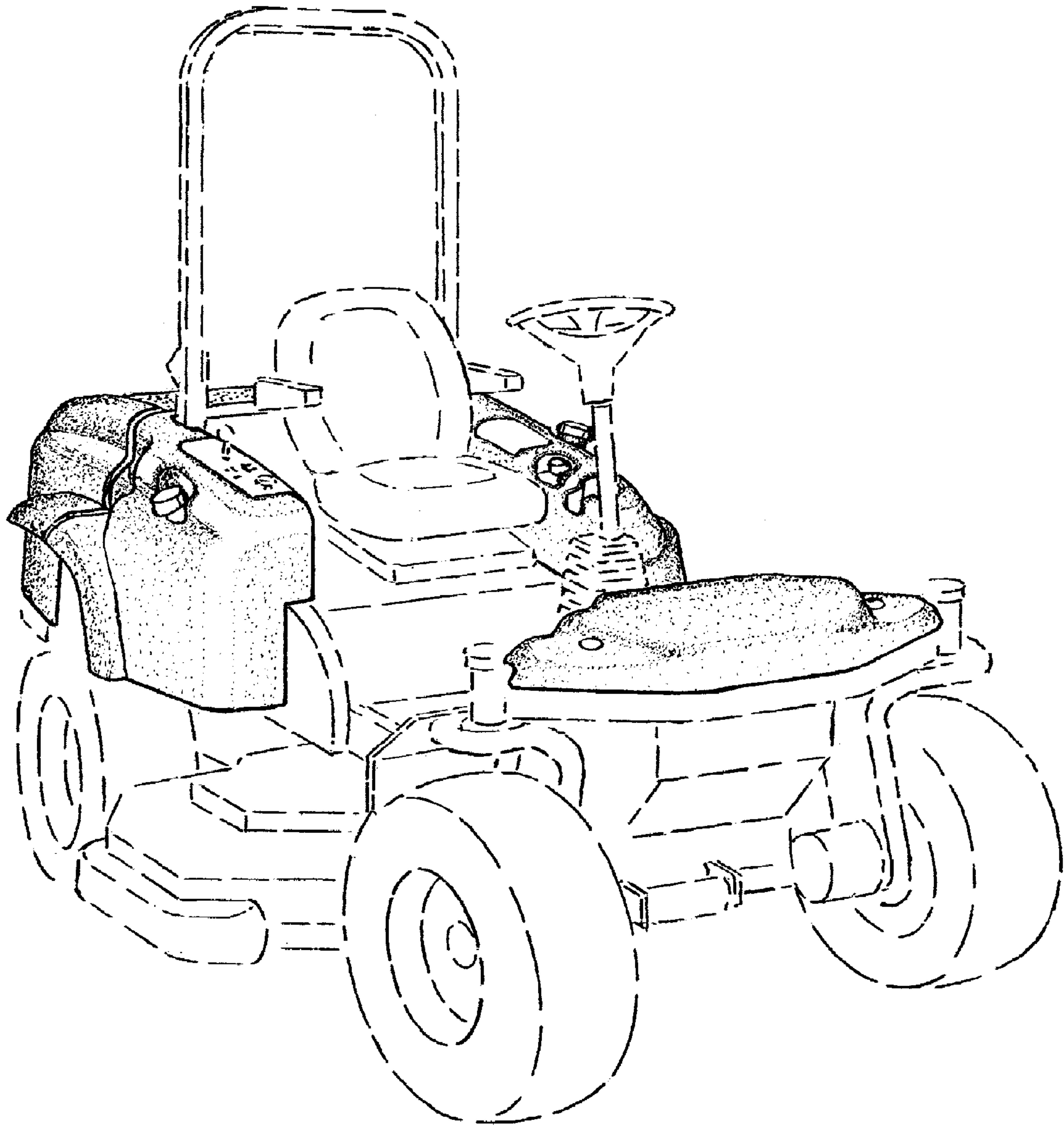


FIG. 1

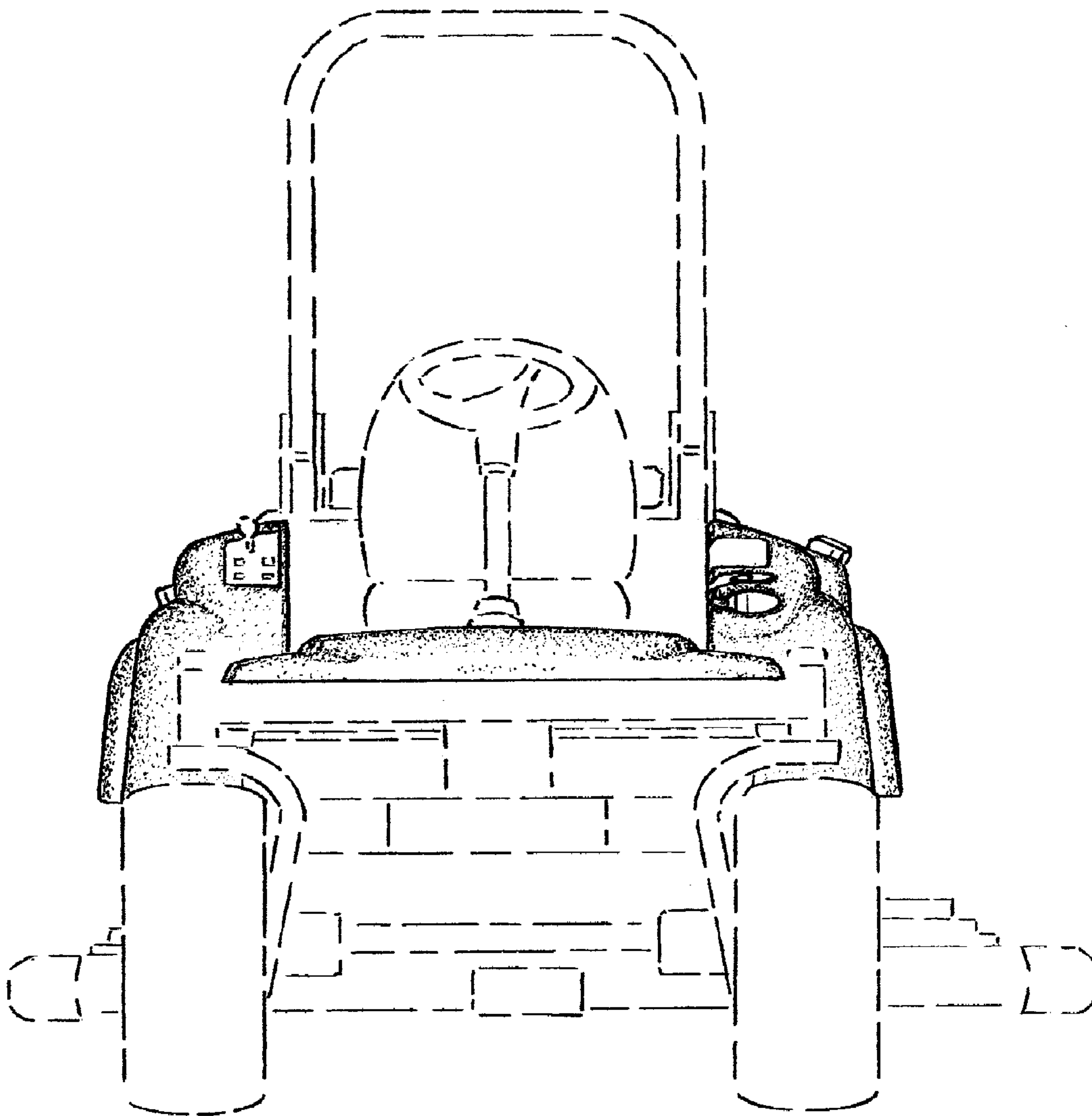


FIG 2

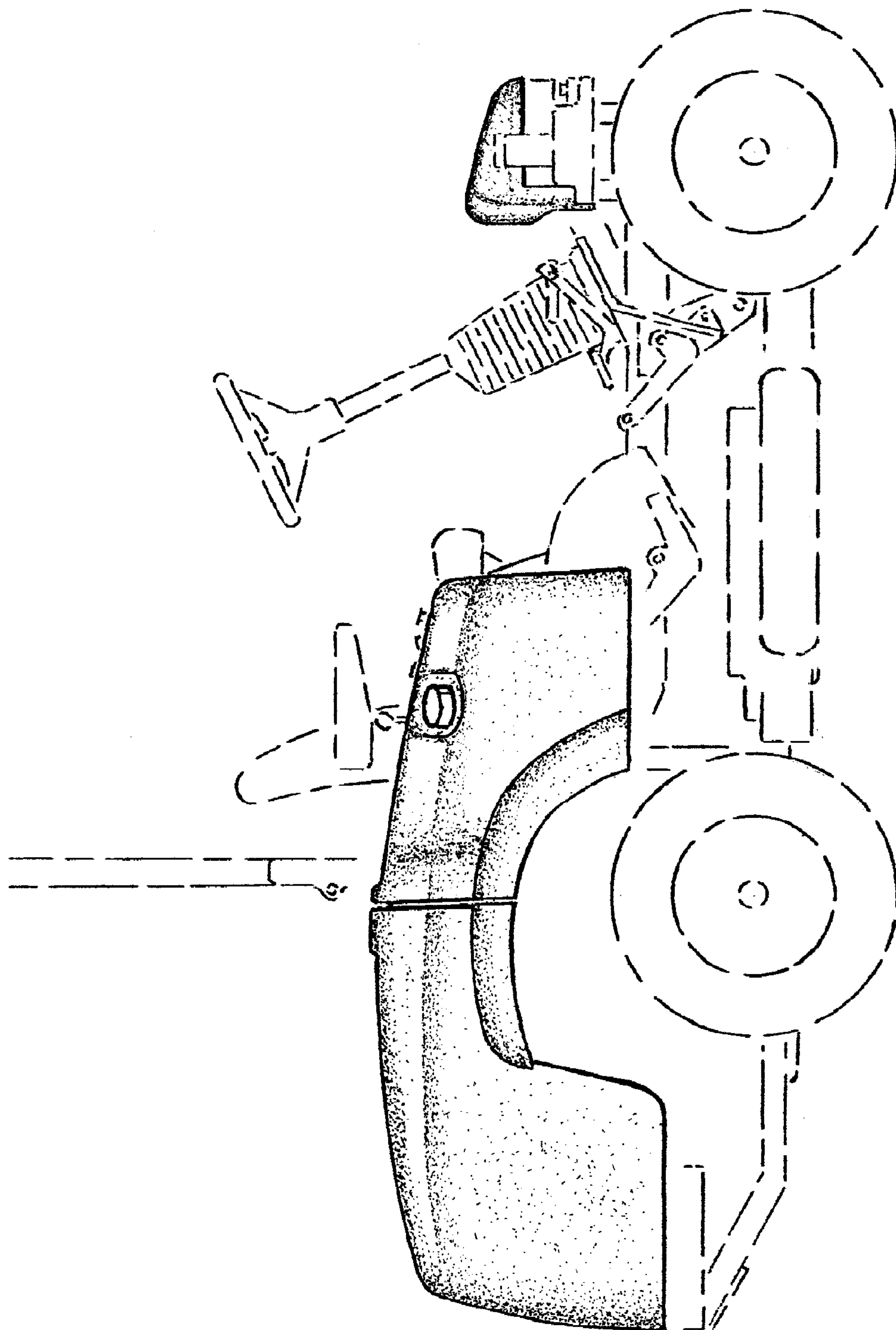


FIG. 3

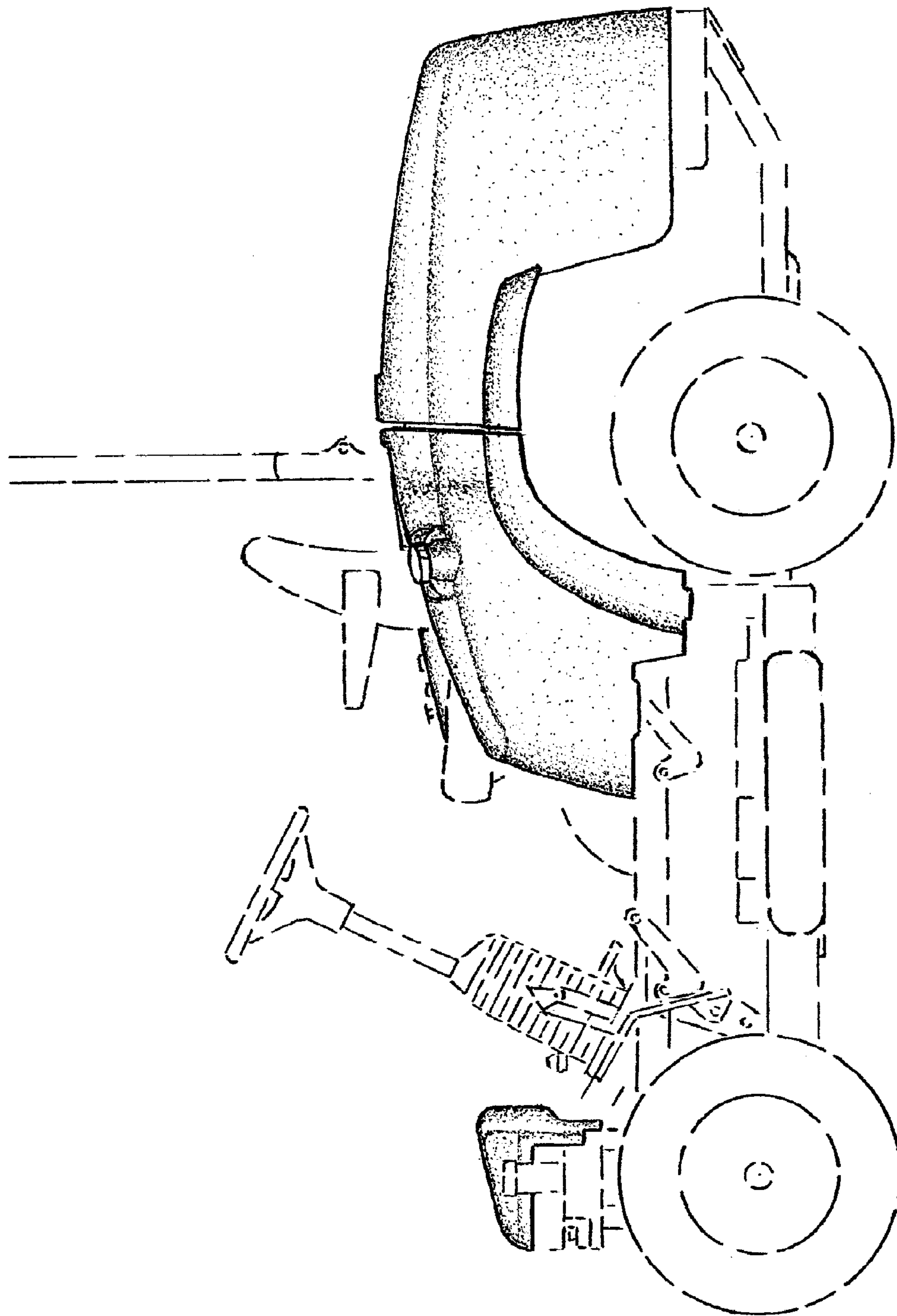


FIG. 4

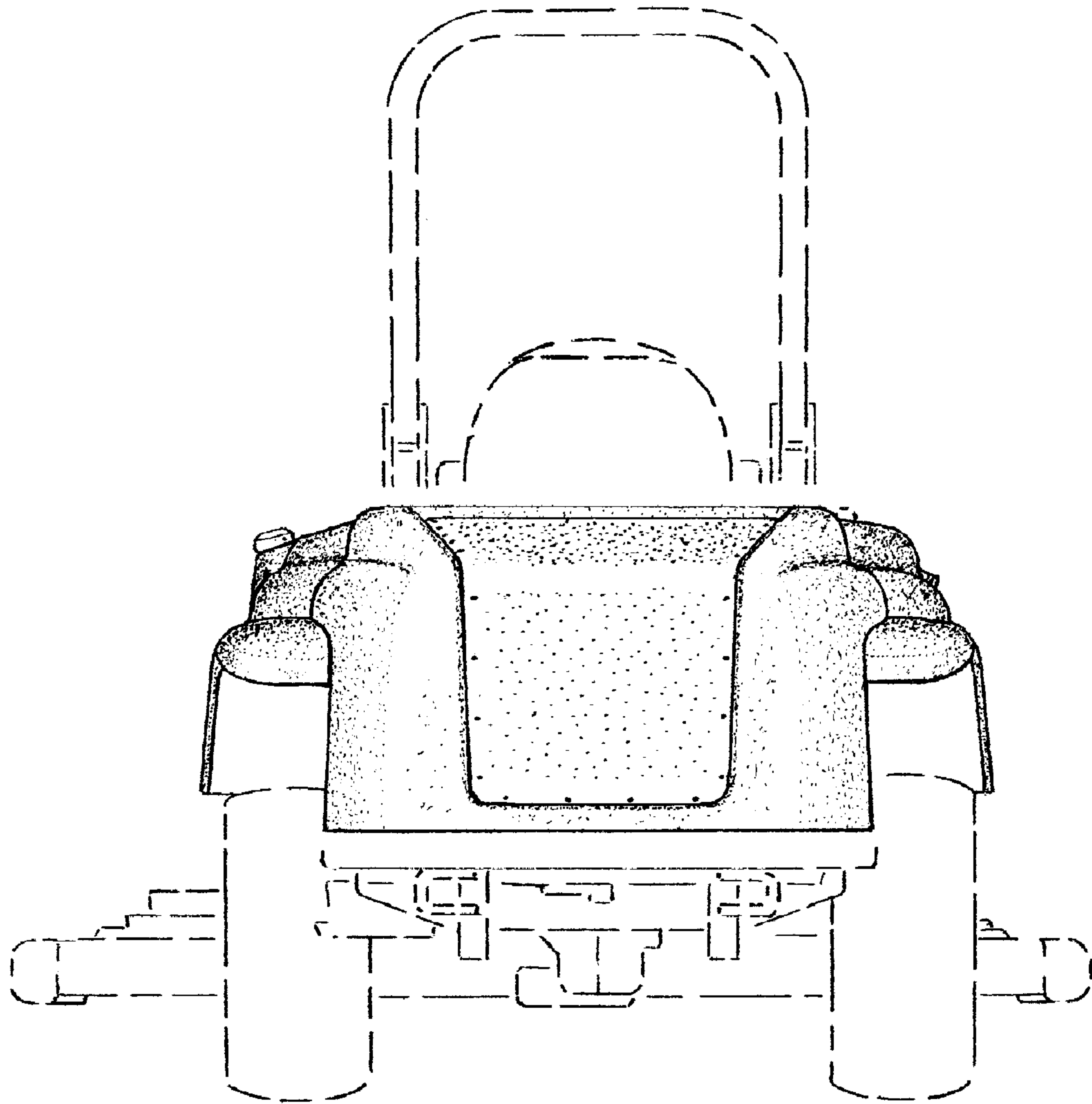


FIG. 5

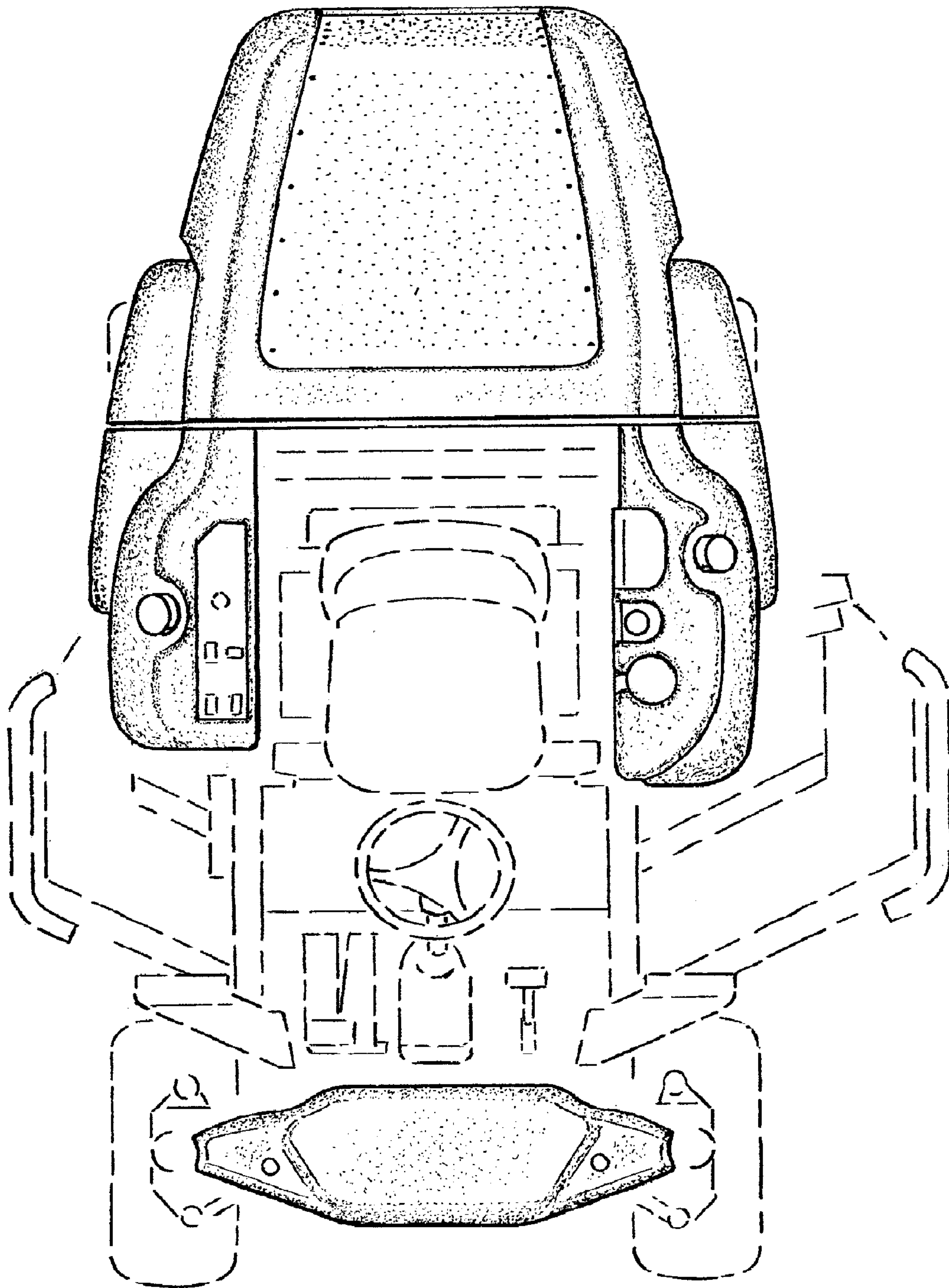


FIG 6

UNITED STATES PATENT AND TRADEMARK OFFICE
CERTIFICATE OF CORRECTION

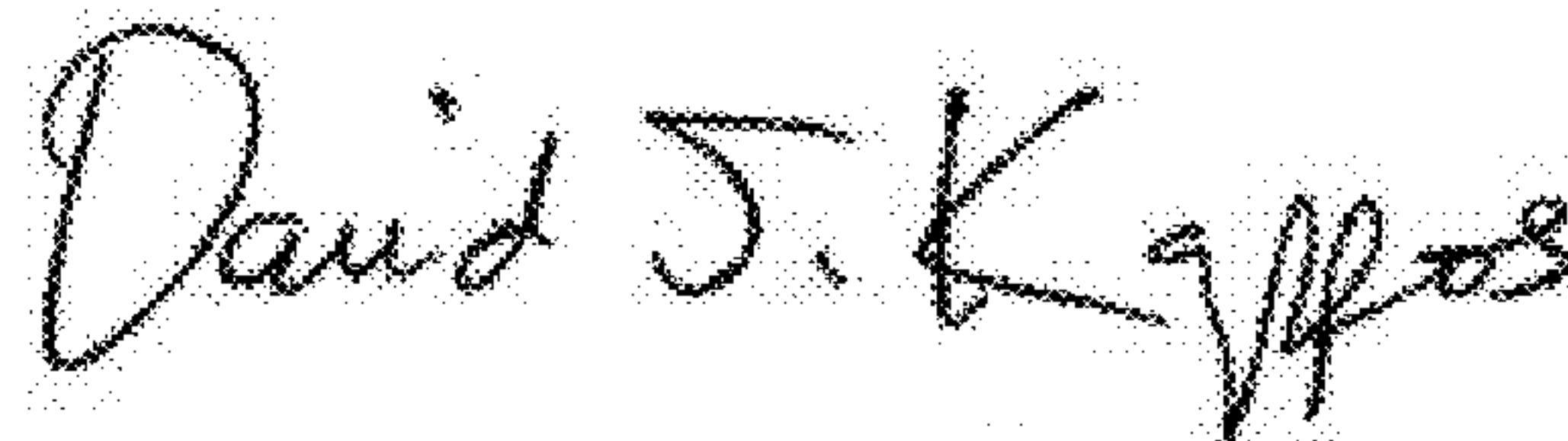
PATENT NO. : D636,001 S
APPLICATION NO. : 29/369584
DATED : April 12, 2011
INVENTOR(S) : David J. Martin et al.

Page 1 of 1

It is certified that error appears in the above-identified patent and that said Letters Patent is hereby corrected as shown below:

Title Page, Item [73], Assignee, "The Tord Company" should read --The Toro Company--.

Signed and Sealed this
Eighteenth Day of October, 2011

A handwritten signature in black ink that reads "David J. Kappos". The signature is written in a cursive, slightly slanted style.

David J. Kappos
Director of the United States Patent and Trademark Office