



US00D636000S

(12) **United States Design Patent**  
**Kim et al.**

(10) **Patent No.:** **US D636,000 S**  
(45) **Date of Patent:** **\*\* Apr. 12, 2011**

(54) **LOADER**

(75) Inventors: **Eui Sik Kim**, Seoul (KR); **Young Jin Lee**, Gyeonggi-do (KR)

(73) Assignee: **Doosan Infracore Co., Ltd.**, Incheon (KR)

(\*\*) Term: **14 Years**

(21) Appl. No.: **29/375,919**

(22) Filed: **Sep. 29, 2010**

(51) **LOC (9) Cl.** ..... **12-09**

(52) **U.S. Cl.** ..... **D15/25**

(58) **Field of Classification Search** ..... D15/10,  
D15/22-26, 33; D21/431; 37/403, 409,  
37/442, 443; 180/89.1, 89.12, 89.13; 296/190.03;  
414/685, 694, 722, 724  
See application file for complete search history.

(56) **References Cited**

**U.S. PATENT DOCUMENTS**

D226,707 S *	4/1973	Skyer et al. ....	D15/25
D326,858 S *	6/1992	Skeel et al. ....	D15/25
D364,408 S *	11/1995	Bryant et al. ....	D15/25

5,778,569 A *	7/1998	Schaeff .....	37/410
5,873,612 A *	2/1999	Connor .....	292/338
D410,930 S *	6/1999	Kim et al. ....	D15/25
D416,266 S *	11/1999	Del Torchio .....	D15/25
D431,575 S *	10/2000	Park .....	D15/25
D523,874 S *	6/2006	Hagele .....	D15/30
D540,828 S *	4/2007	Johnson et al. ....	D15/25
D540,829 S *	4/2007	Johnson et al. ....	D15/25
D549,738 S *	8/2007	Hiraoka et al. ....	D15/25
D590,846 S *	4/2009	Kinsinger et al. ....	D15/25

\* cited by examiner

*Primary Examiner* — Mark A Goodwin

(74) *Attorney, Agent, or Firm* — John D. Veldhuis-Kroeze; Westman, Champlin & Kelly, P. A.

(57) **CLAIM**

The ornamental design for a loader, as shown and described.

**DESCRIPTION**

FIG. 1 is a perspective view of the loader showing our new design.

FIG. 2 is a front view of the loader.

FIG. 3 is a rear view of the loader.

FIG. 4 is a left side view of the loader.

FIG. 5 is a right side view of the loader; and,

FIG. 6 is a top view of the loader.

The bottom view forms no part of the claimed design.

**1 Claim, 5 Drawing Sheets**

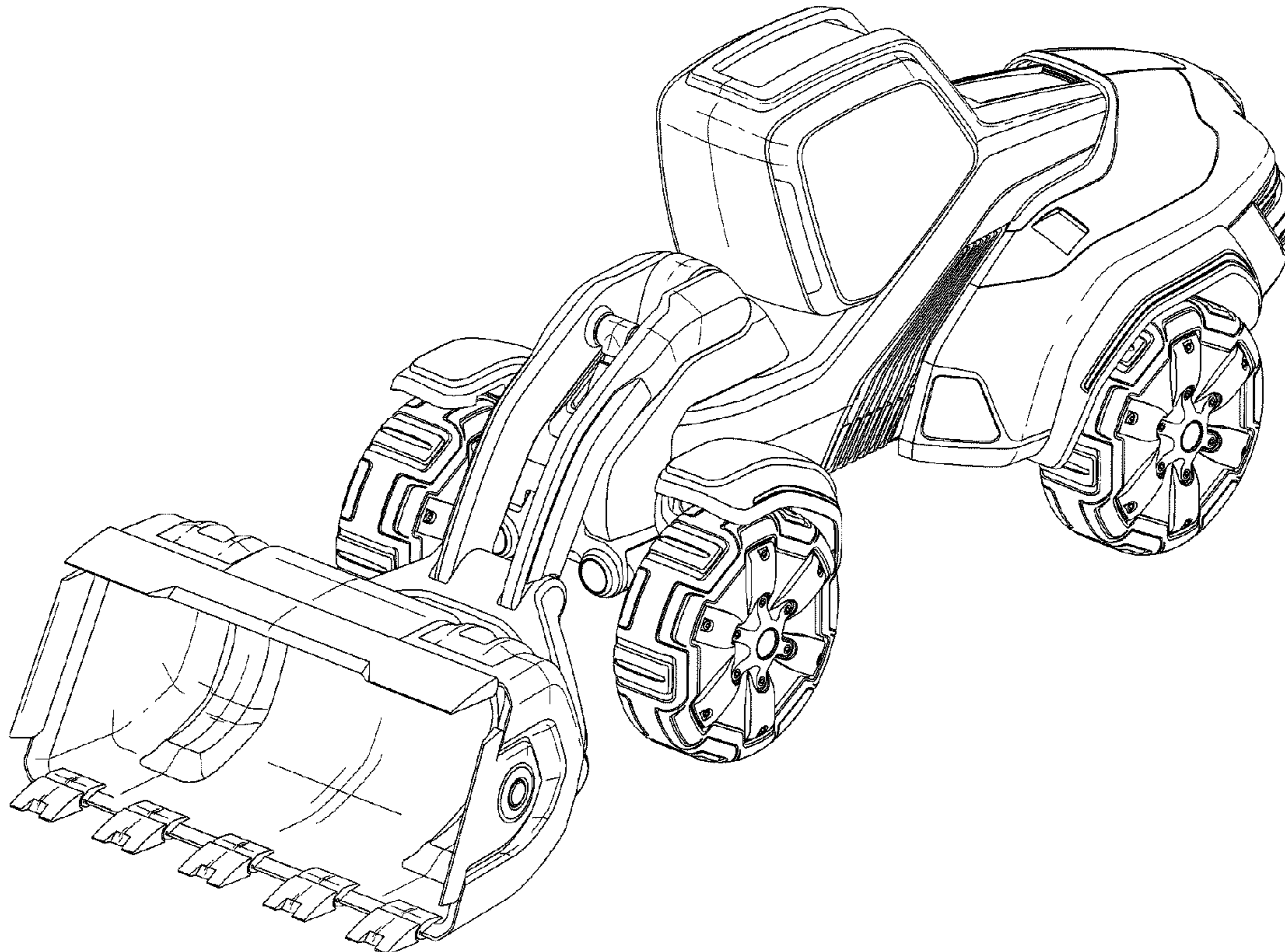


FIG. 1

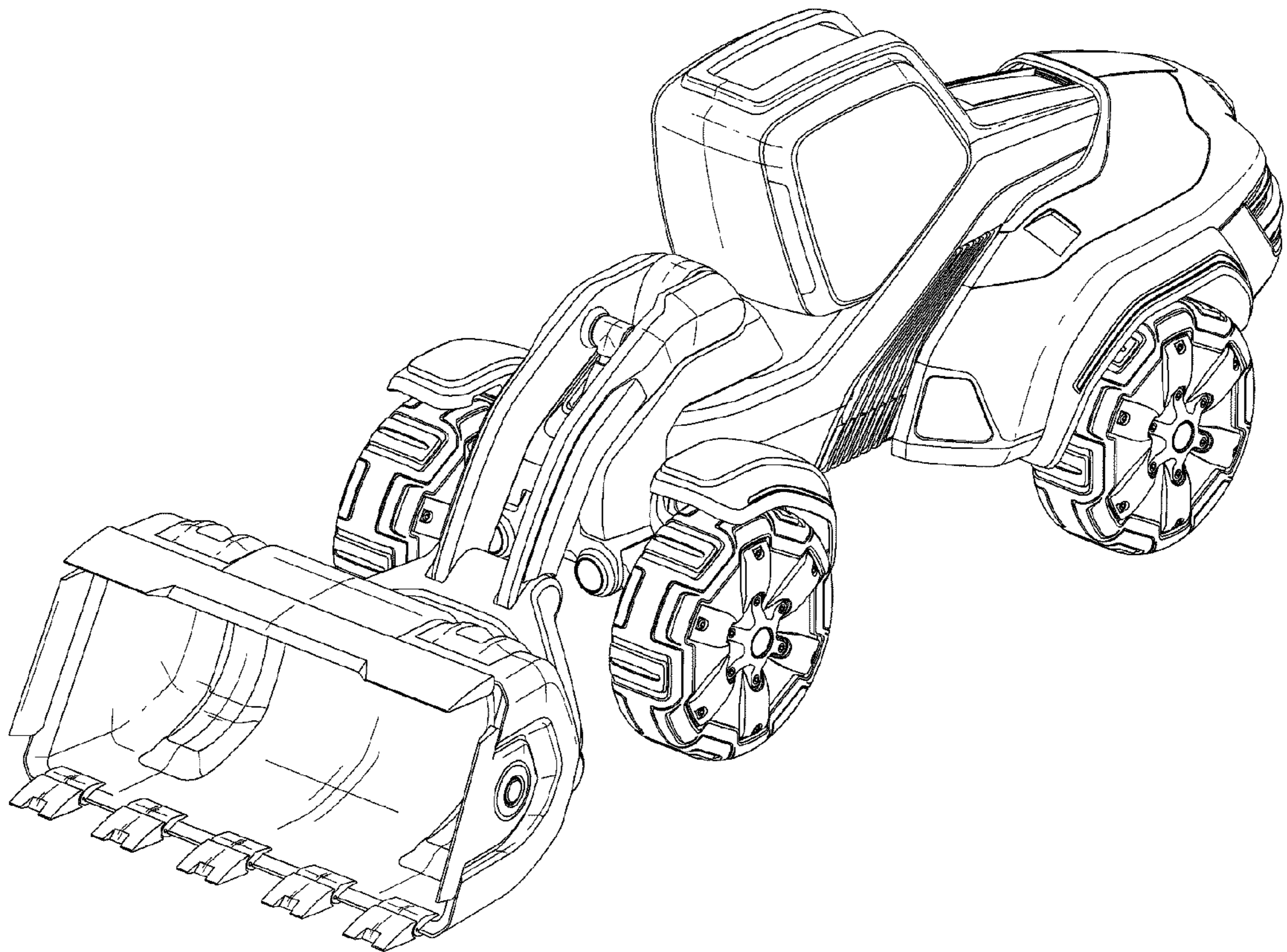


FIG. 2

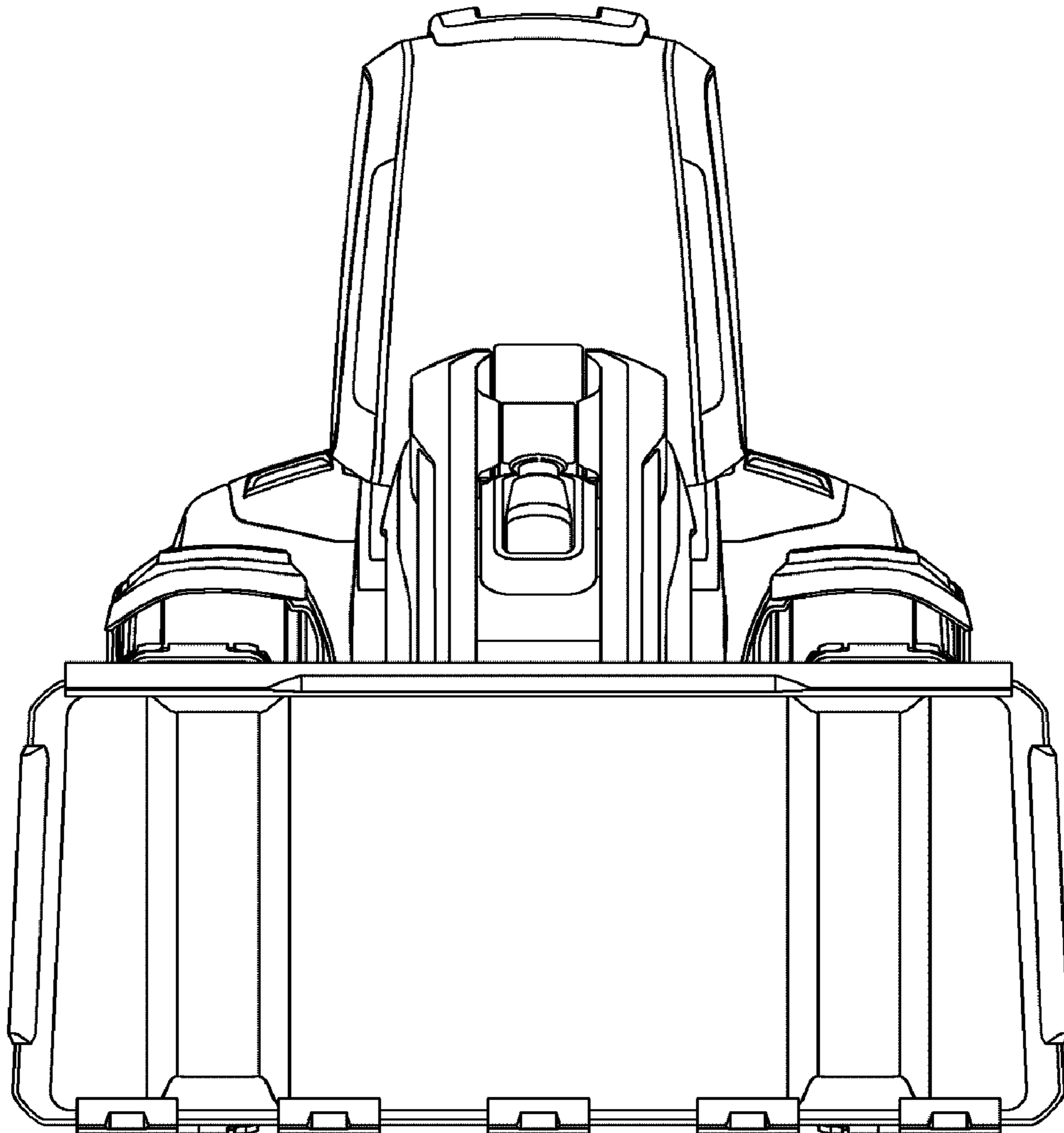


FIG. 3

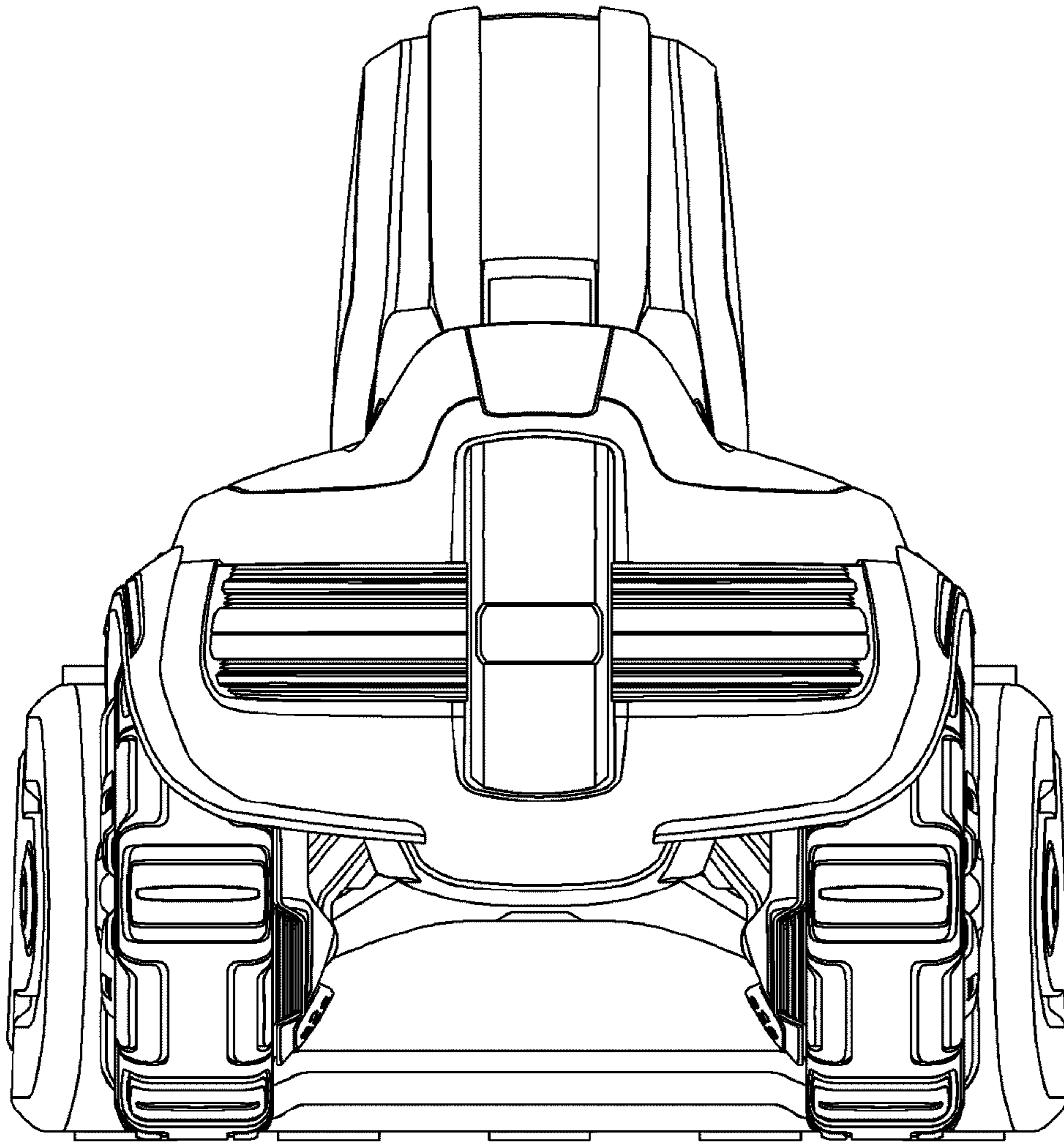


FIG. 4

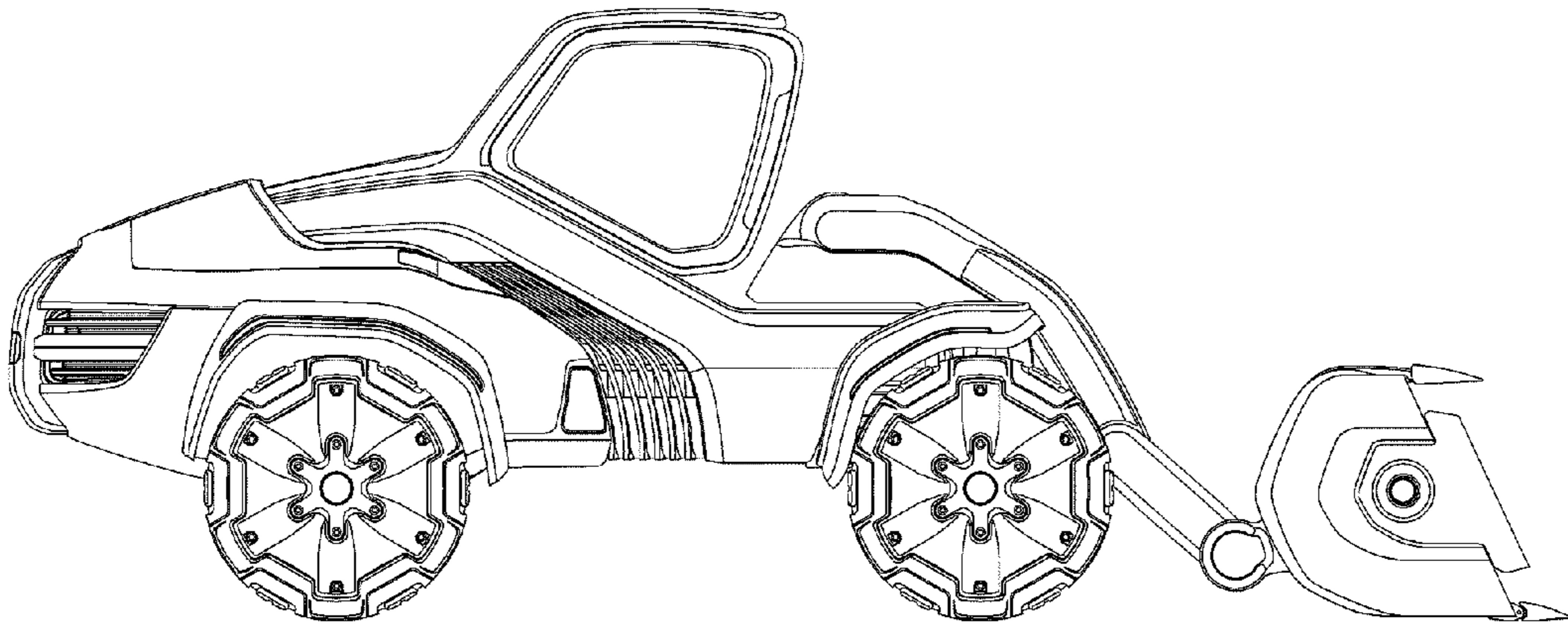


FIG. 5

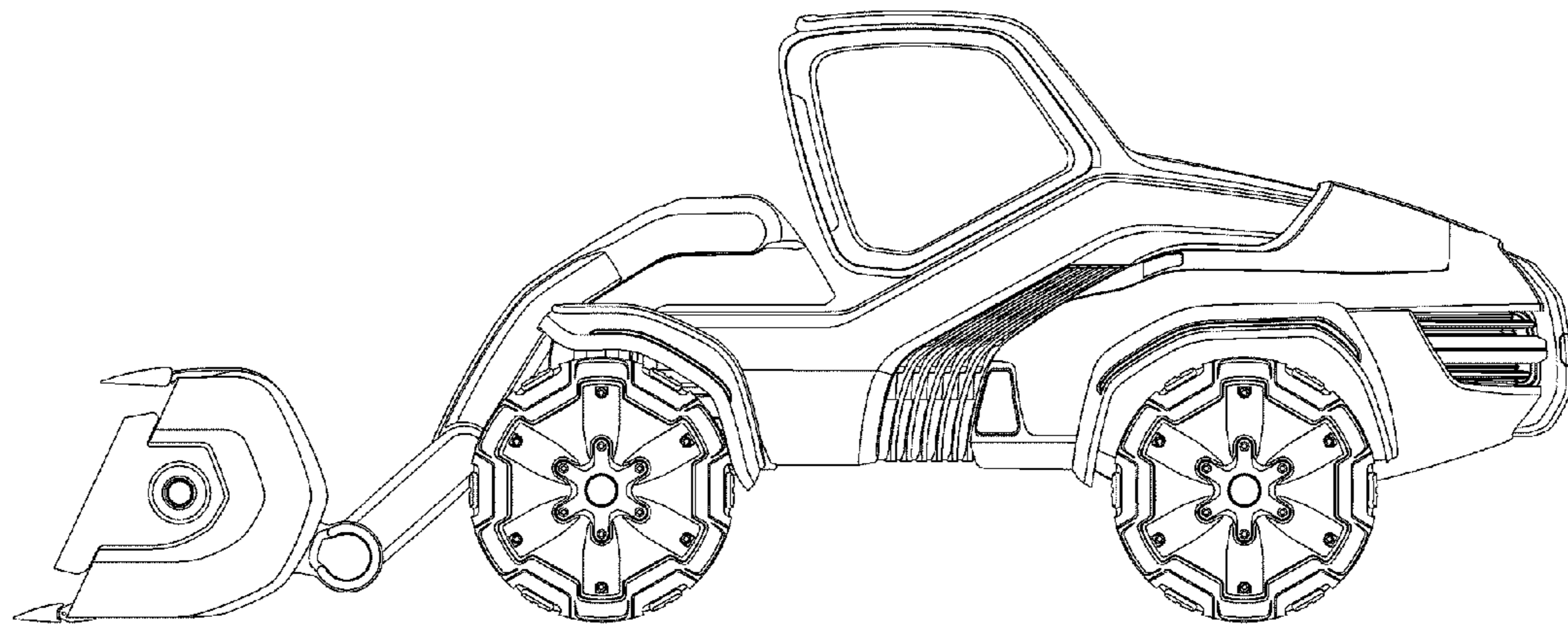


FIG. 6

