



US00D635978S

(12) **United States Design Patent**
Chen

(10) **Patent No.:** **US D635,978 S**

(45) **Date of Patent:** **** Apr. 12, 2011**

(54) **KVMP SWITCH SYSTEM**

(75) Inventor: **Ya Lin Chen**, Sijhih (TW)

(73) Assignee: **ATEN International Co., Ltd.**, Shijr,
Taipei (TW)

(**) Term: **14 Years**

(21) Appl. No.: **29/332,580**

(22) Filed: **Feb. 19, 2009**

(51) **LOC (9) Cl.** **14-02**

(52) **U.S. Cl.** **D14/434**

(58) **Field of Classification Search** D14/432-434,
D14/356-358, 451; D13/147, 146, 110,
D13/139.4, 155, 154; 361/683, 685-688,
361/679, 690, 697, 801, 725, 726, 727, 735,
361/724, 832, 797; 439/638, 341, 372, 142,
439/501, 74, 928, 894, 131, 527, 535, 569;
710/303, 2, 1, 100; 248/346.01, 553, 49,
248/68.1; 429/98, 100; 312/223.1, 223.6,
312/194; 70/58; 455/73, 90.3, 347; 320/116;
713/340; 174/72 A, 135, 138 E, 498, 481,
174/50, 101, 68.3, 504, 70 C, 494, 500, 57,
174/67; 108/26, 50.02; 206/388, 702, 408,
206/63.3, 392, 394, 416, 49, 83; 242/388.1,
242/405.2, 407, 405.1; 59/78.1; 52/312,
52/716.1; D25/119; 24/115 J, 115 R, 909;
16/224; 29/825, 33 F, 857, 850, 861, 826-832
See application file for complete search history.

(56) **References Cited**

U.S. PATENT DOCUMENTS

5,182,698 A * 1/1993 Kobayashi et al. 361/679.43
D349,230 S * 8/1994 Essick D8/347
D362,430 S * 9/1995 Gassett et al. D14/433
5,460,547 A * 10/1995 Belt et al. 439/638
5,461,546 A * 10/1995 Kobayashi et al. 361/796
D370,458 S * 6/1996 Fladung et al. D13/139.8
5,645,434 A * 7/1997 Leung 439/74

D384,044 S * 9/1997 Tanimura D14/434
5,825,618 A * 10/1998 Schnoor et al. 361/679.6
D400,515 S * 11/1998 Shima D14/433
5,838,548 A * 11/1998 Matz et al. 361/784
5,841,424 A * 11/1998 Kikinis 345/168
D405,064 S * 2/1999 Iino D14/434
D413,312 S * 8/1999 Suzuki D14/434
D413,574 S * 9/1999 Goto D13/146
6,081,356 A * 6/2000 Branc et al. 398/129
6,085,925 A * 7/2000 Chung 220/4.02
D430,882 S * 9/2000 Tsai D14/434
D443,860 S * 6/2001 Ogasawara D13/146
6,256,014 B1 * 7/2001 Thomas et al. 345/163
6,321,340 B1 * 11/2001 Shin et al. 713/310
6,329,616 B1 * 12/2001 Lee 200/51.03

(Continued)

Primary Examiner — Susan Moon Lee

(74) *Attorney, Agent, or Firm* — Patterson & Sheridan, LLP

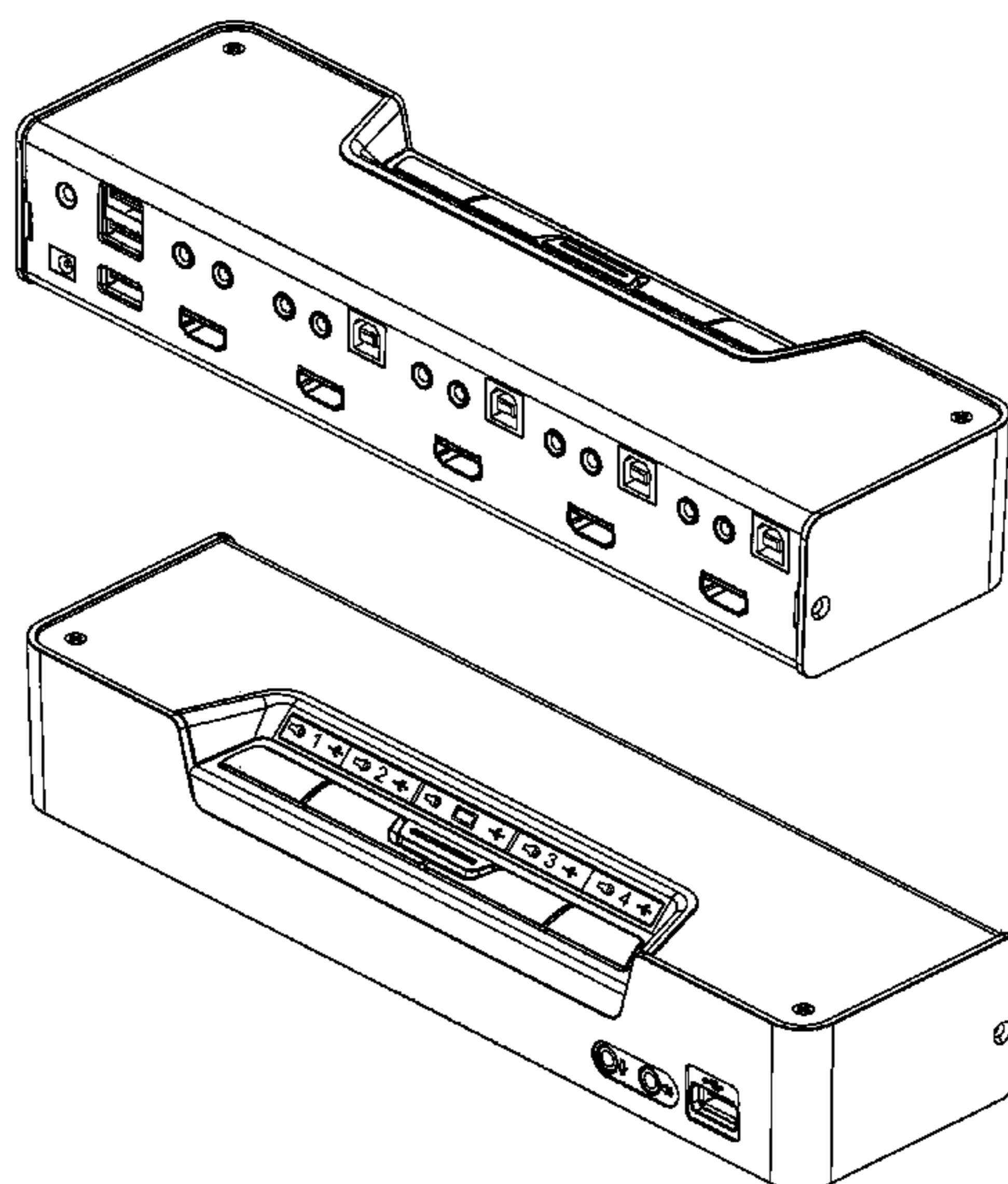
(57) **CLAIM**

I claim the ornamental design for a KVMP switch system, as shown and described.

DESCRIPTION

FIG. 1 is a front isometric view of a KVMP switch system; FIG. 2 is a back isometric view of the KVMP switch system of FIG. 1; FIG. 3 is a back view of the KVMP switch system of FIG. 1; FIG. 4 is a top view of the KVMP switch system of FIG. 1; FIG. 5 is a front view of the KVMP switch system of FIG. 1; FIG. 6 is a bottom view of the KVMP switch system of FIG. 1; FIG. 7 is a side view of the KVMP switch system of FIG. 1; and, FIG. 8 is a side view of the KVMP switch system of FIG. 1. The KVMP system includes a housing having a circuit switch embedded therein. A plurality of computer ports, console ports, selector switches and a toggle switch are formed on the housing configured to control switch of computers coupled to the ports of the KVMP system to console devices.

1 Claim, 4 Drawing Sheets



US D635,978 S

Page 2

U.S. PATENT DOCUMENTS

6,557,170	B1 *	4/2003	Wilder et al.	725/130					
6,669,513	B2 *	12/2003	Huang	439/638					
6,674,637	B2 *	1/2004	Shin et al.	361/679.41					
6,722,917	B2 *	4/2004	Huang	439/501					
6,741,462	B2 *	5/2004	Kamphuis et al.	361/679.02					
6,757,166	B2 *	6/2004	DeLuga et al.	361/679.57					
6,768,652	B2 *	7/2004	DeLuga	361/801					
6,804,113	B2 *	10/2004	Kambayashi et al. ...	361/679.45					
6,813,145	B2 *	11/2004	DeLuga	361/679.41					
6,833,989	B2 *	12/2004	Helot et al.	361/679.56					
D504,893	S *	5/2005	Araki	D14/434					
D505,958	S *	6/2005	Cheng	D14/434					
6,948,966	B2 *	9/2005	Kambayashi et al.	439/362					
6,957,287	B2 *	10/2005	Lou et al.	710/72					
7,038,908	B2 *	5/2006	Usui et al.	361/679.41					
D530,717	S *	10/2006	Mori et al.	D14/434					
7,123,476	B2 *	10/2006	Ke	361/679.58					
D535,257	S *	1/2007	Byrne	D13/139.4					
7,247,032	B2 *	7/2007	Merz	439/76.1					
D551,214	S *	9/2007	Hussaini et al.	D14/217					
7,284,278	B2 *	10/2007	Anson et al.	726/34					
D554,582	S *	11/2007	Iseki	D13/108					
D558,739	S *	1/2008	Andre et al.	D14/217					
D561,186	S *	2/2008	Kawase et al.	D14/434					
D571,360	S *	6/2008	Andre et al.	D14/217					
7,381,079	B2 *	6/2008	Chuang	439/352					
D577,038	S *	9/2008	Nakamura	D14/496					
7,424,551	B2 *	9/2008	Odryna et al.	709/250					
					D580,441	S *	11/2008	Mori	D14/434
					D583,820	S *	12/2008	O'Shea	D14/434
					D585,306	S *	1/2009	Oas	D10/2
					7,503,808	B1 *	3/2009	O'Shea	439/639
					7,590,763	B2 *	9/2009	Thomas et al.	710/2
					D610,128	S *	2/2010	Andre et al.	D14/217
					2002/0106933	A1 *	8/2002	Lee	439/501
					2002/0143996	A1 *	10/2002	Odryna et al.	709/246
					2002/0168901	A1 *	11/2002	Choumach	439/638
					2002/0181199	A1 *	12/2002	Bovio et al.	361/686
					2003/0008566	A1 *	1/2003	Kato et al.	439/638
					2003/0123677	A1 *	7/2003	Tran	381/81
					2003/0148656	A1 *	8/2003	Huang	439/501
					2003/0202323	A1 *	10/2003	Maeda	361/686
					2003/0216069	A1 *	11/2003	Huang	439/105
					2004/0012922	A1 *	1/2004	Kamphuis et al.	361/686
					2004/0043657	A1 *	3/2004	Helot et al.	439/535
					2004/0066790	A1 *	4/2004	Valavi et al.	370/419
					2005/0116685	A1 *	6/2005	Liu et al.	320/116
					2006/0146491	A1 *	7/2006	Chen	361/683
					2006/0250767	A1 *	11/2006	Brophy et al.	361/686
					2007/0174532	A1 *	7/2007	Chen	710/313
					2007/0174535	A1 *	7/2007	Lou et al.	710/316
					2008/0091858	A1 *	4/2008	Zhang et al.	710/72
					2008/0102708	A1 *	5/2008	Wu	439/652
					2008/0162752	A1 *	7/2008	Huang	710/63
					2010/0211709	A1 *	8/2010	Chen et al.	710/73

* cited by examiner

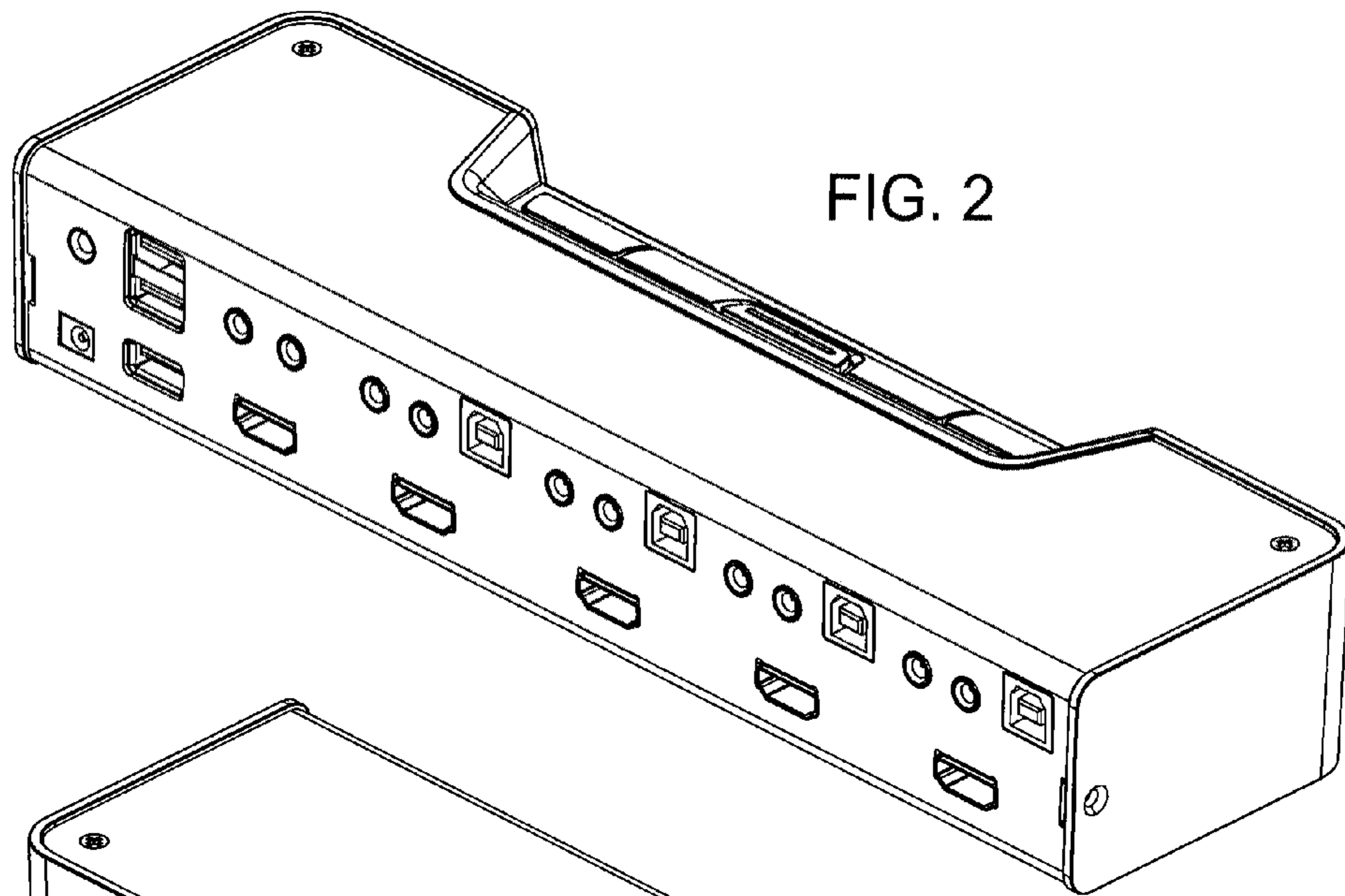


FIG. 2

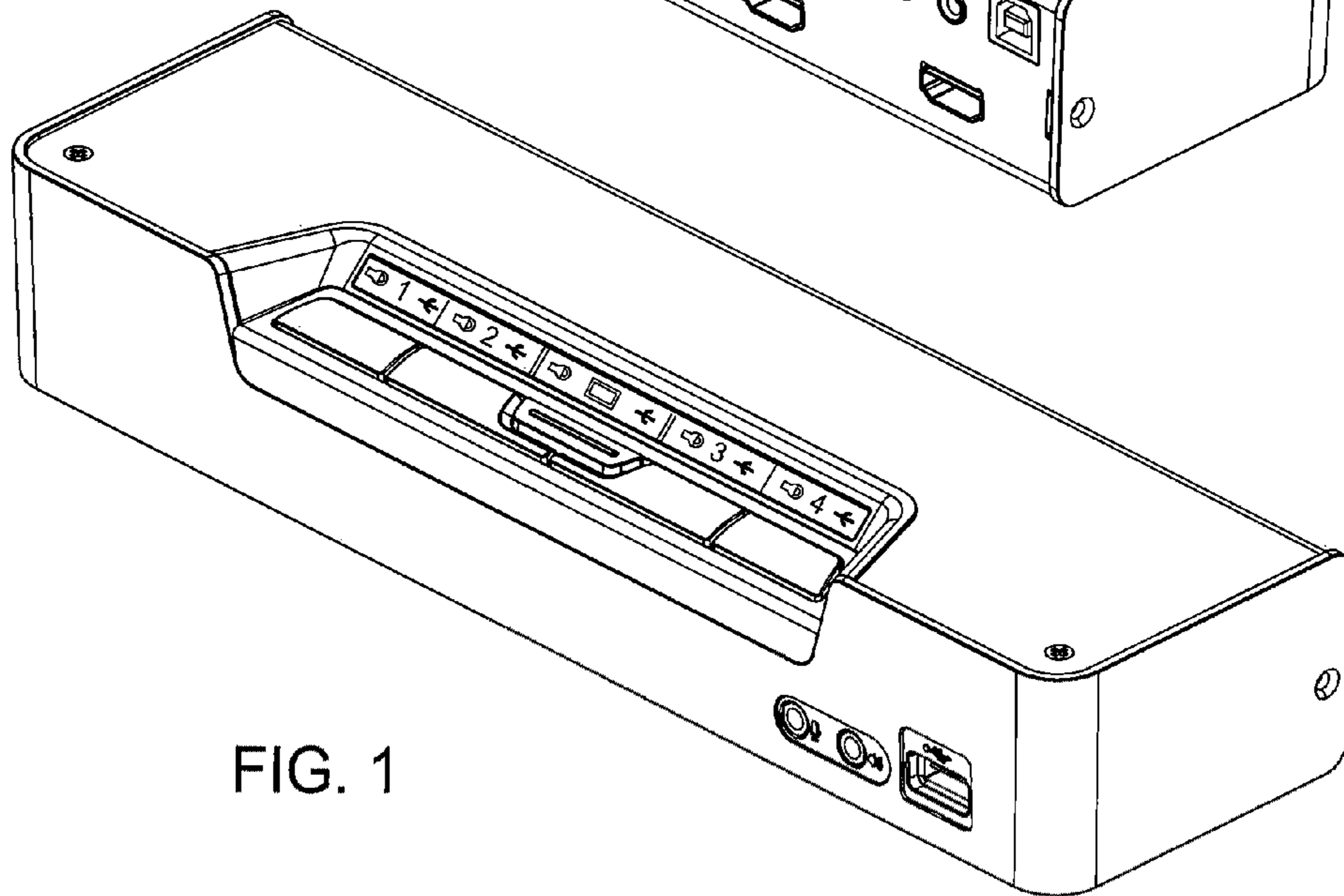


FIG. 1

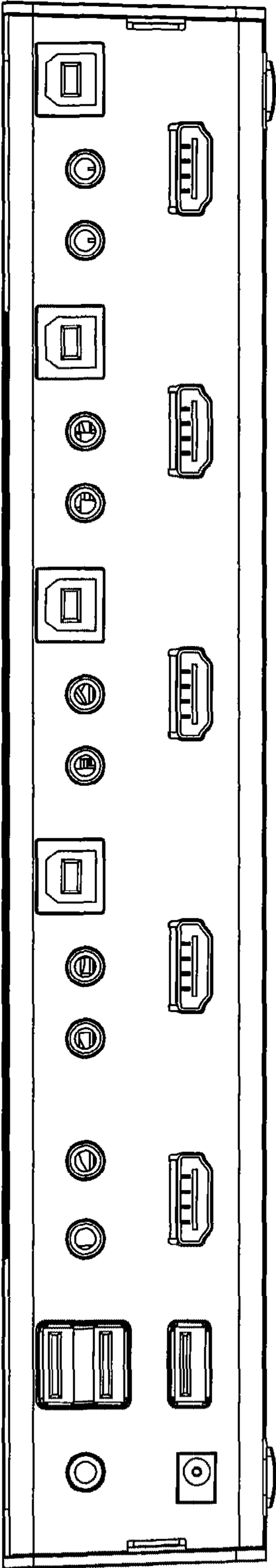


FIG. 3

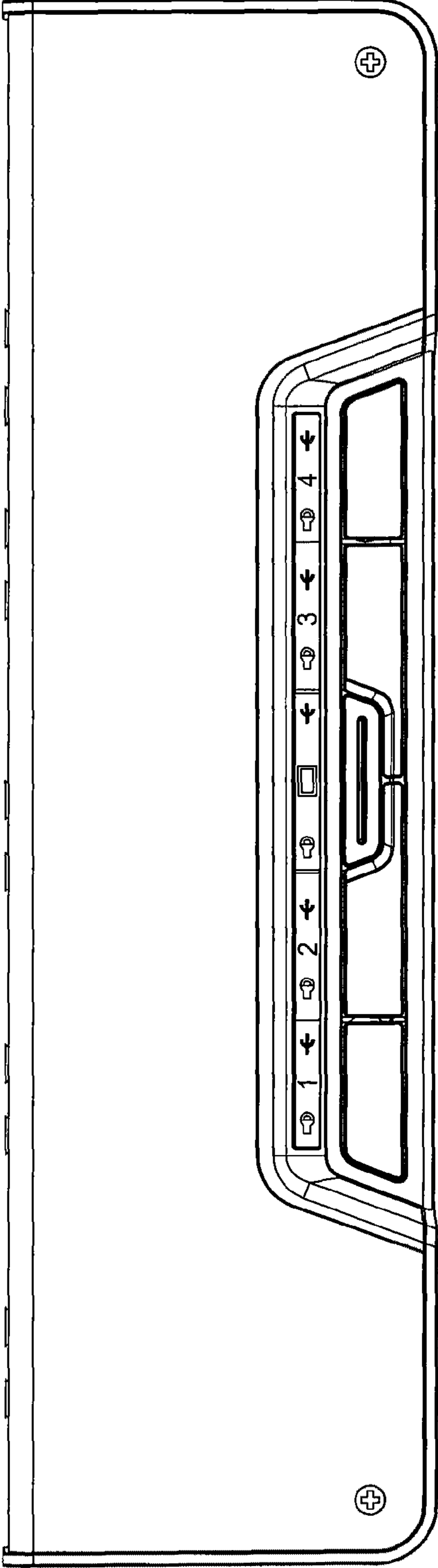


FIG. 4

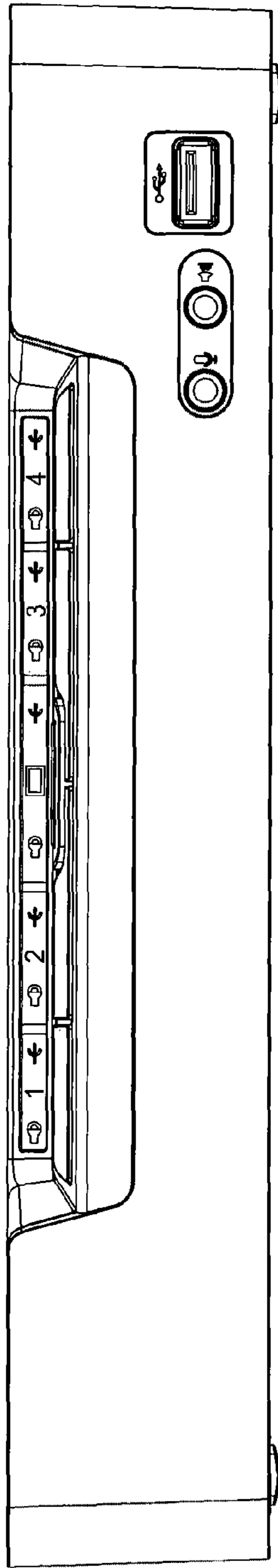


FIG. 5

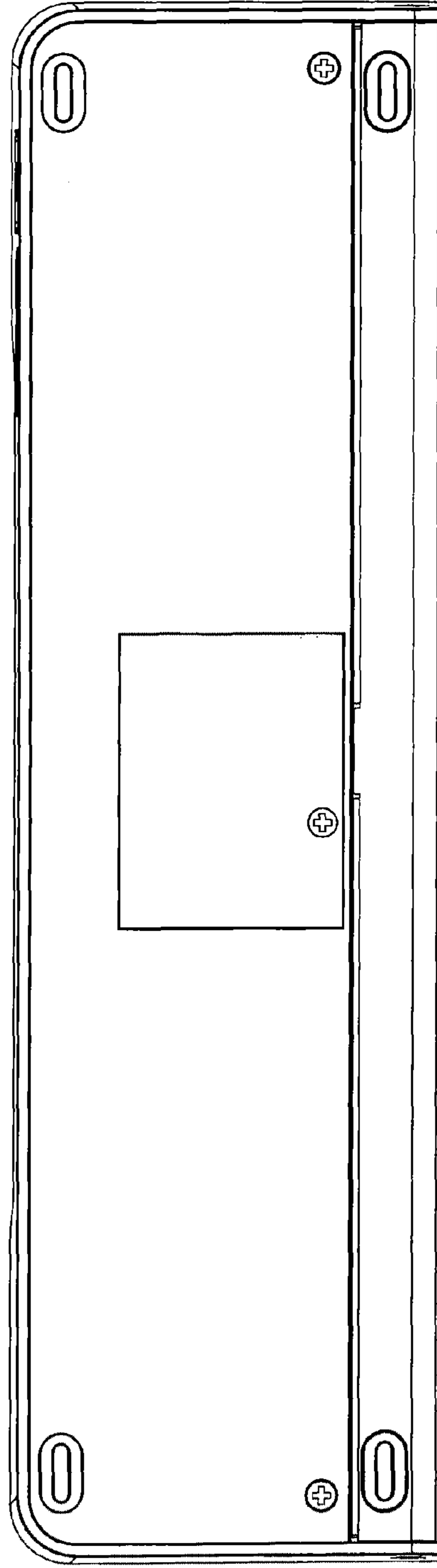


FIG. 6

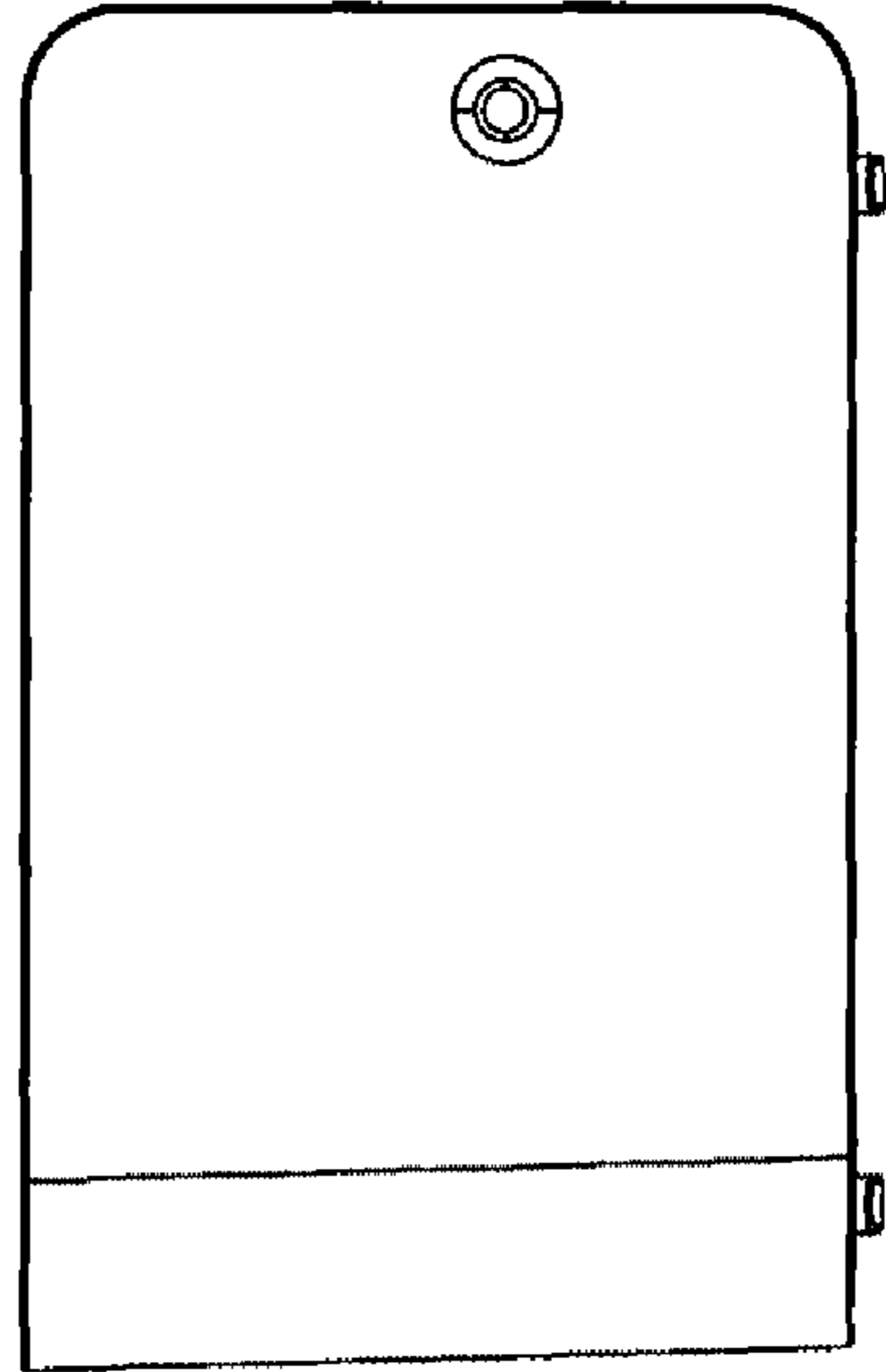


FIG. 8

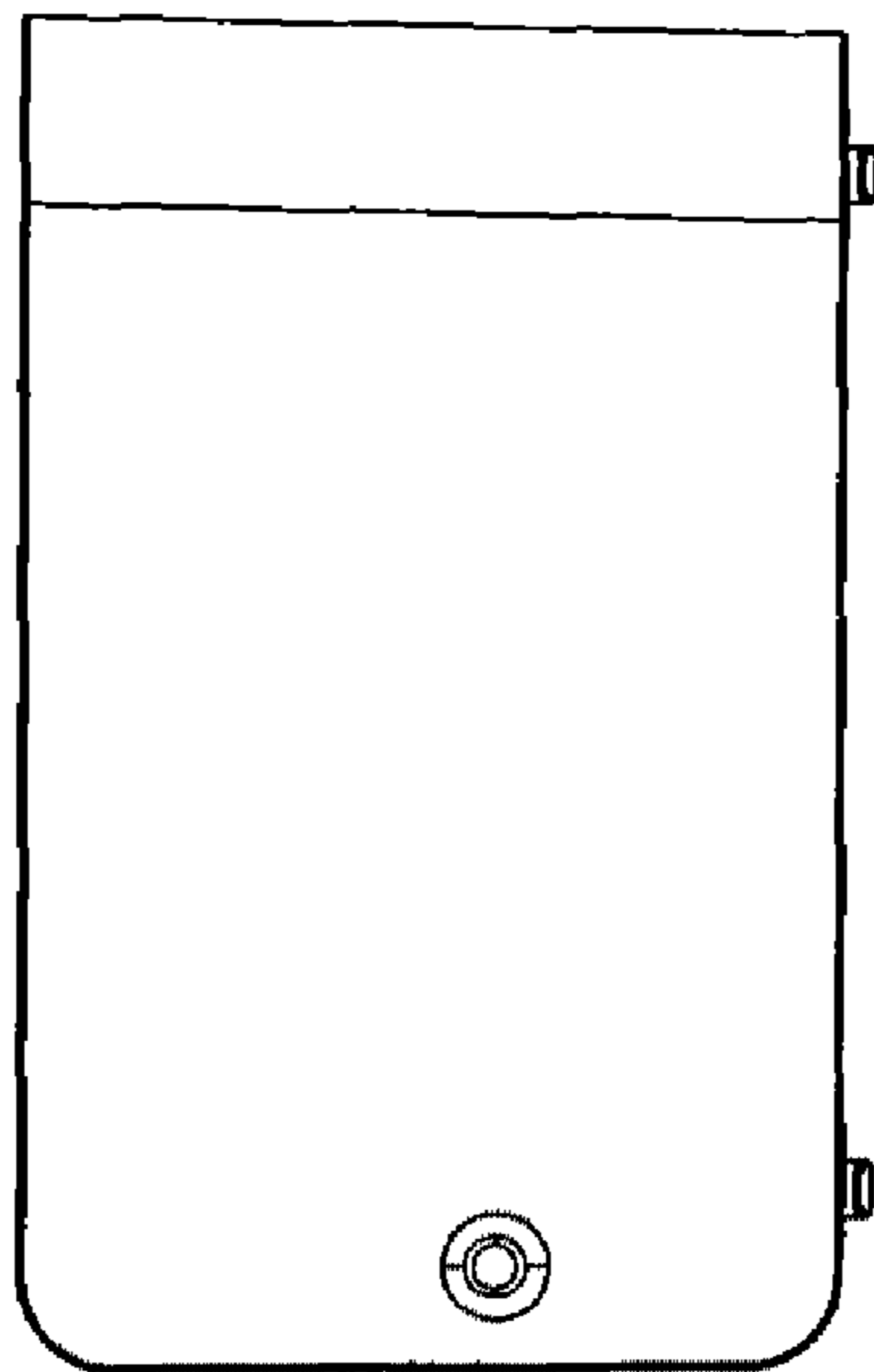


FIG. 7