



US00D635972S

(12) **United States Design Patent**
Miyazawa et al.

(10) **Patent No.:** **US D635,972 S**
(45) **Date of Patent:** **** Apr. 12, 2011**

(54) **MOBILE INFORMATION TERMINAL**

(75) Inventors: **Takayuki Miyazawa**, Kanagawa (JP);
Katsuhiko Kitade, Tokyo (JP); **Akira Asano**, Tokyo (JP); **Chris Vernall**, London (GB); **Andy Vernall**, London (GB)

(73) Assignee: **Panasonic Corporation**, Osaka (JP)

(**) Term: **14 Years**

(21) Appl. No.: **29/369,509**

(22) Filed: **Sep. 9, 2010**

(30) **Foreign Application Priority Data**

Mar. 11, 2010 (JP) 2010-005956

(51) **LOC (9) Cl.** **14-02**

(52) **U.S. Cl.** **D14/341**

(58) **Field of Classification Search** D14/341–347,
D14/137, 138, 138.1, 138 AA, 138 R, 138 AB,
D14/138 G, 138 A, 496, 426, 429, 129, 130,
D14/420, 439–441, 448, 125–126, 147, 156,
D14/218, 250, 336, 203.1, 203.3, 203.4, 203.7,
D14/315, 388–390, 485–486; D21/324,
D21/329, 330; D10/65, 104; 345/169, 901,
345/905, 156, 157, 168, 173; 379/433.04,
379/433.07, 433.11, 916, 433.01, 433.06;
361/680, 686, 679.27, 679.3

See application file for complete search history.

(56) **References Cited**

U.S. PATENT DOCUMENTS

D579,437 S * 10/2008 Yoon D14/138 G
D582,368 S * 12/2008 Cho et al. D14/138 AB
D589,531 S * 3/2009 Fullerton D14/496
D595,711 S 7/2009 Yoon et al.
D595,712 S 7/2009 Guery et al.
D600,690 S * 9/2009 Miyaji D14/341

D606,537 S 12/2009 Ferrari et al.
D609,233 S * 2/2010 Wood et al. D14/341
D611,942 S 3/2010 Kemery
D618,200 S 6/2010 Kim et al.
D626,957 S * 11/2010 Juan et al. D14/345
D627,758 S * 11/2010 Sheba et al. D14/203.7
D629,798 S * 12/2010 Arie et al. D14/341
D630,629 S * 1/2011 Seifert et al. D14/341

* cited by examiner

Primary Examiner — Cathron C Brooks

Assistant Examiner — Barbara Fox

(74) *Attorney, Agent, or Firm* — Brinks Hofer Gilson & Lione

(57) **CLAIM**

We claim the ornamental design for a mobile information terminal, as shown and described.

DESCRIPTION

FIG. 1 is a front perspective view of a mobile information terminal of the present invention;
FIG. 2 is a rear perspective view thereof;
FIG. 3 is a front view thereof;
FIG. 4 is a rear view thereof;
FIG. 5 is a first side view thereof;
FIG. 6 is a second side view thereof;
FIG. 7 is a top view thereof;
FIG. 8 is a bottom view thereof;
FIG. 9 is an enlarged view taken along the line 9—9 of FIG. 5;
FIG. 10 is an enlarged view taken along the line 10—10 of FIG. 5;
FIG. 11 is an enlarged view taken along the line 11—11 of FIG. 7; and,
FIG. 12 is an enlarged view taken along the line 12—12 of FIG. 7.

The broken lines shown in the drawings are for the purpose of illustrating unclaimed portions of the mobile information terminal and form no part of the claimed design.

1 Claim, 12 Drawing Sheets

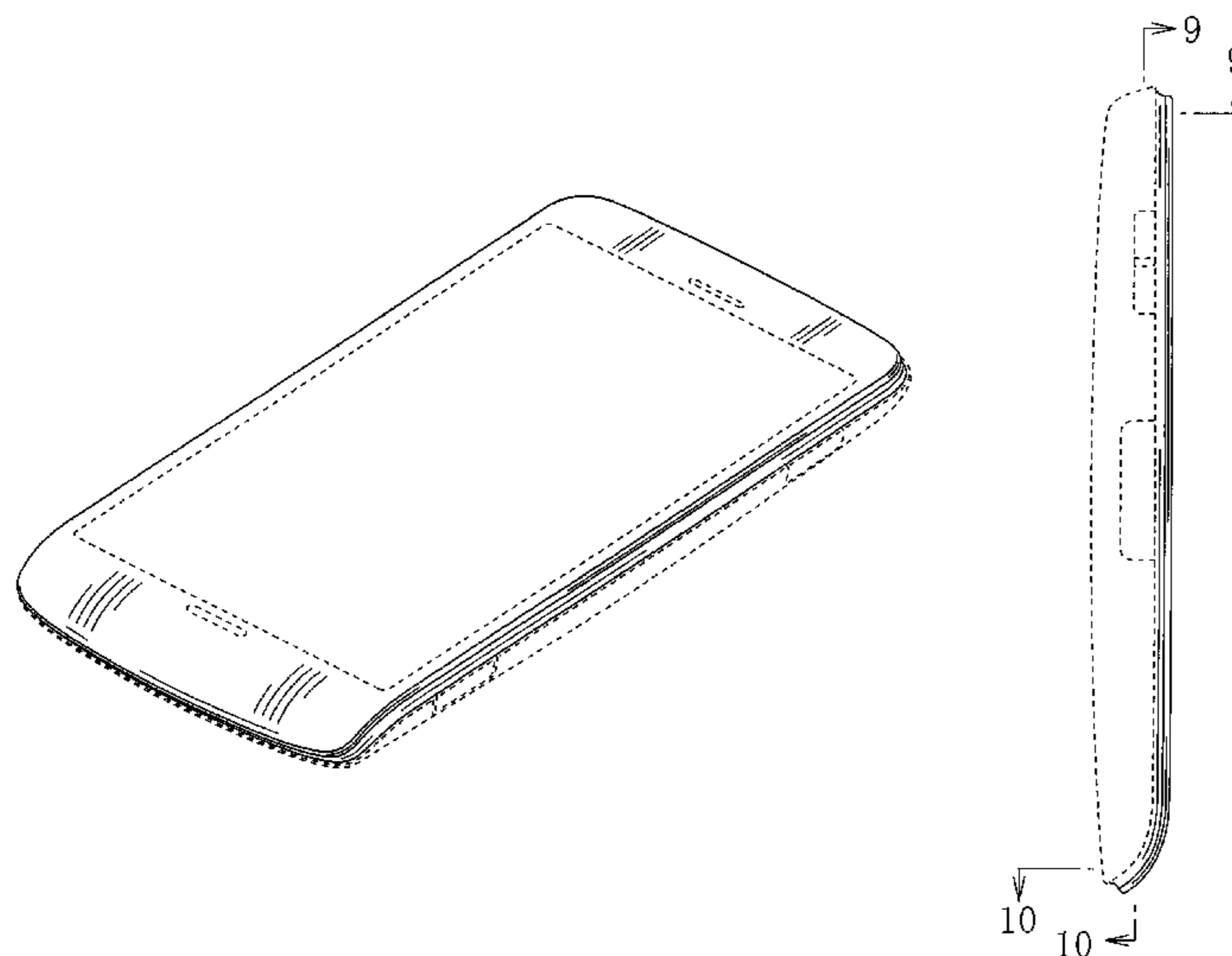


FIG.1

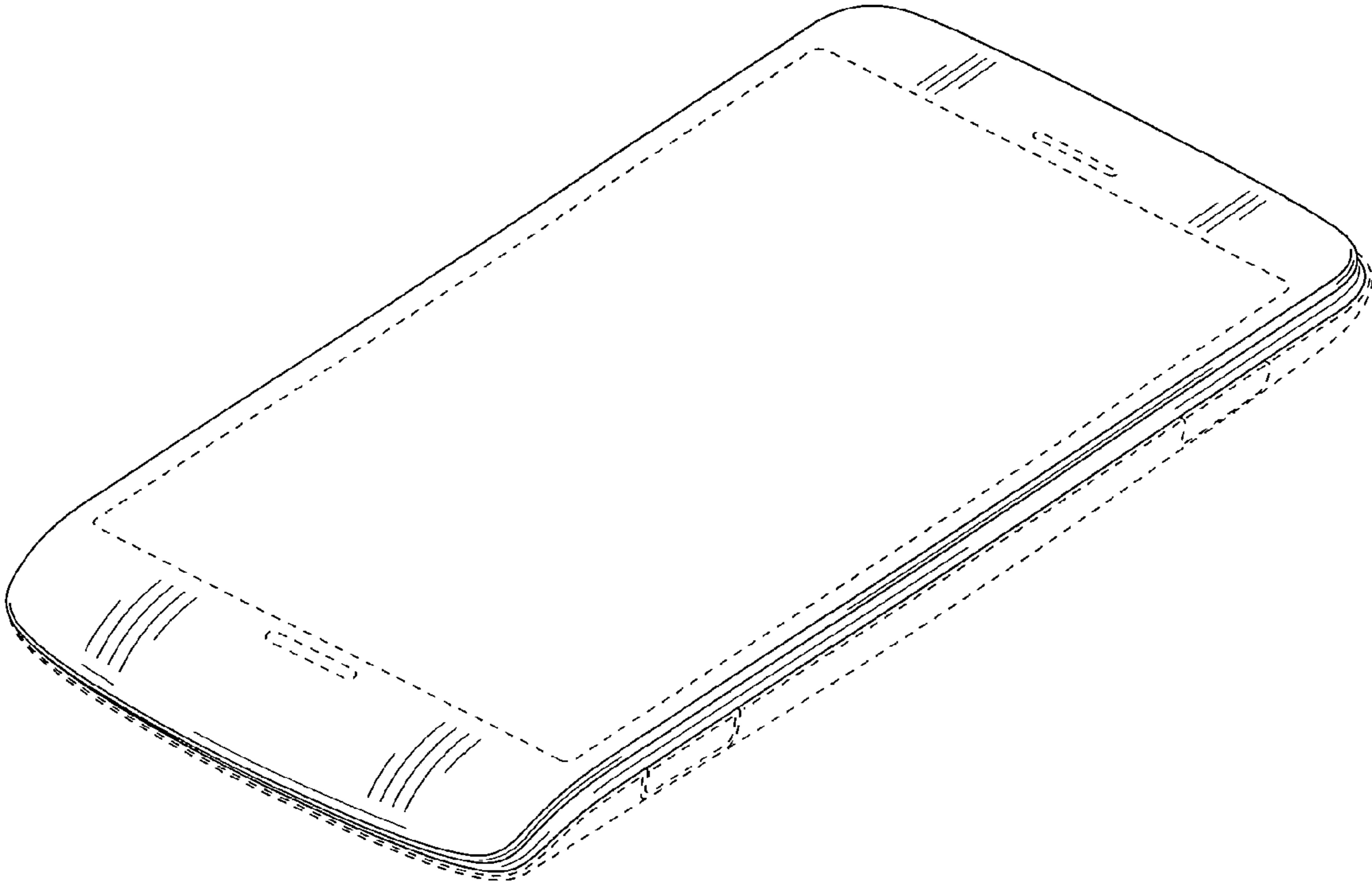


FIG.2

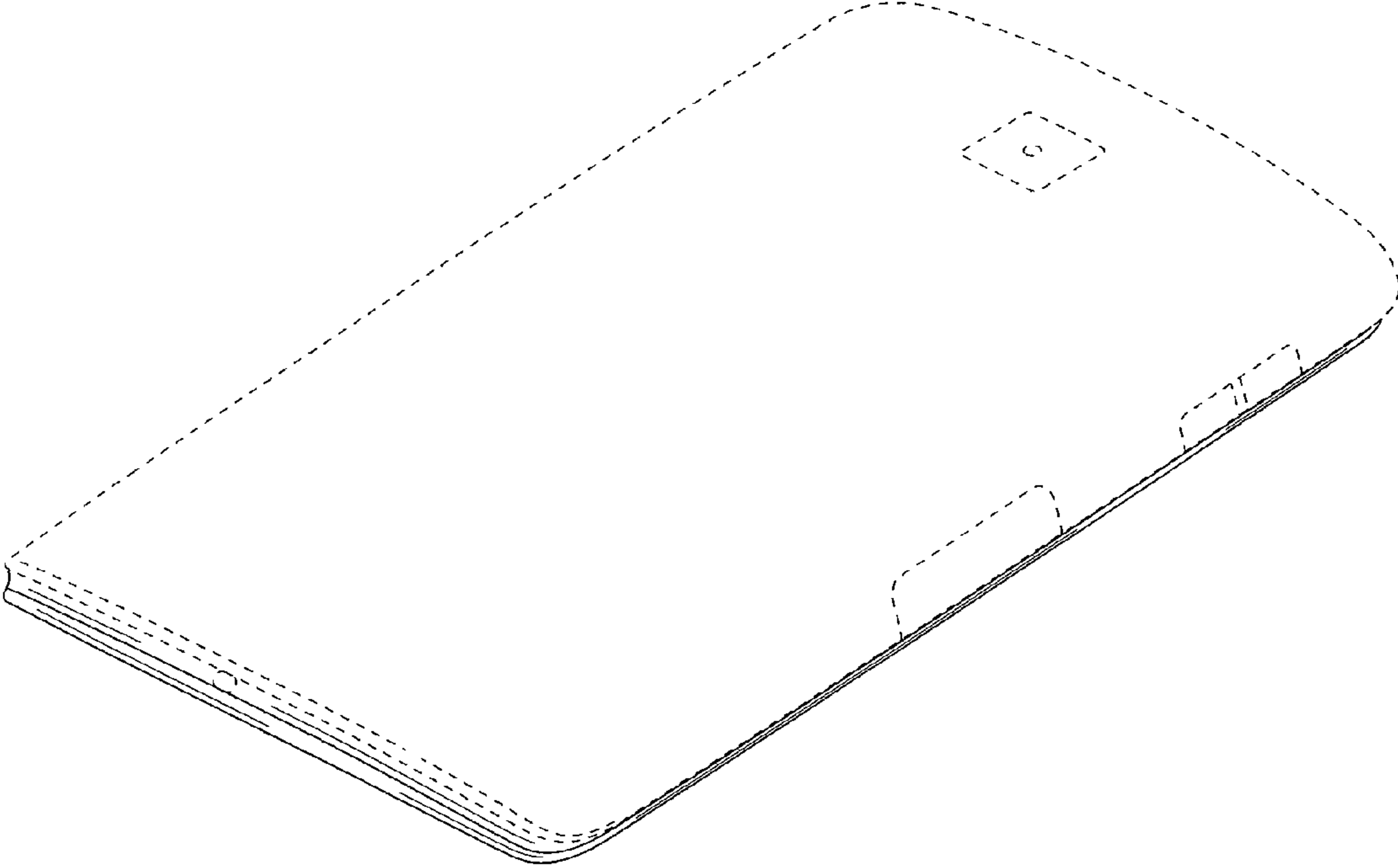


FIG.3

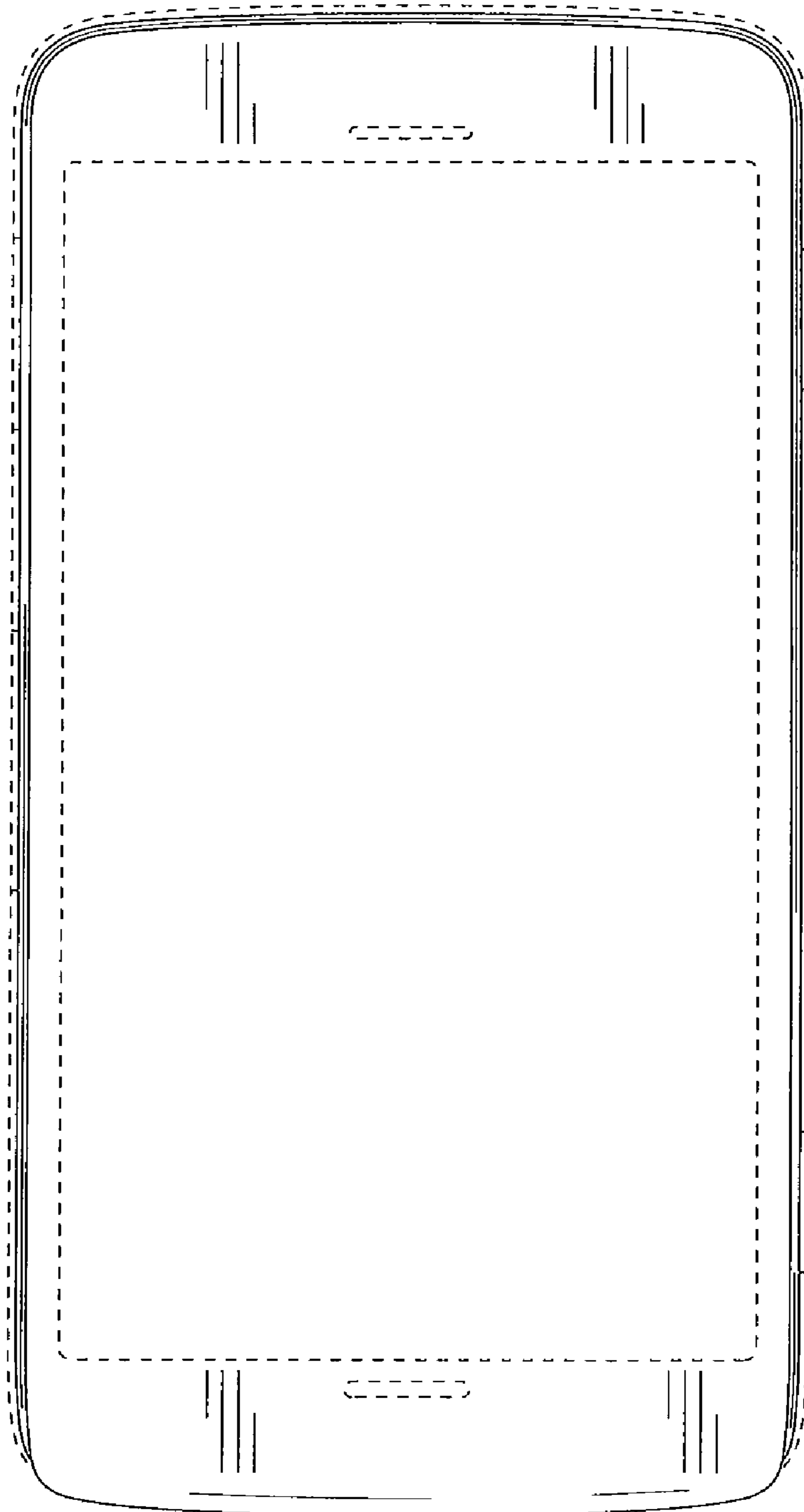


FIG.4

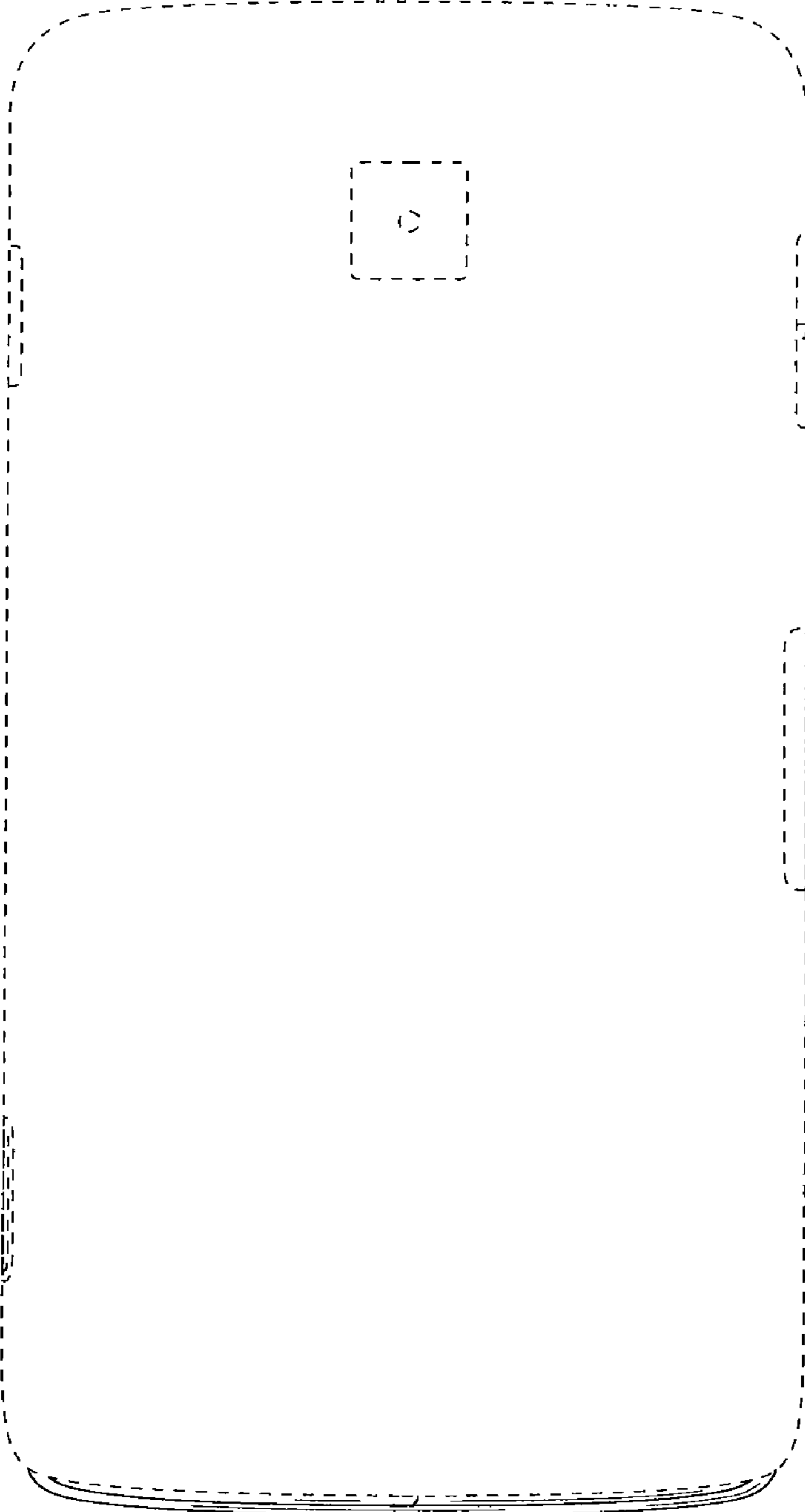


FIG.5

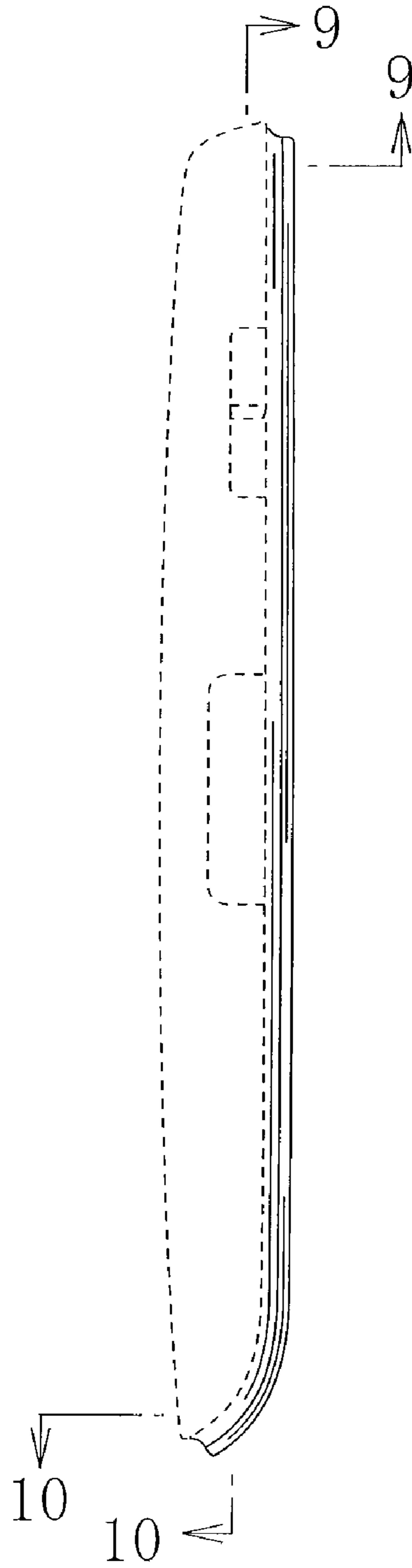


FIG.6

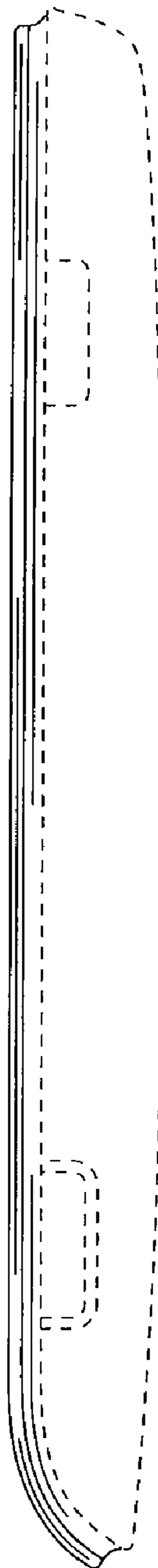


FIG.7

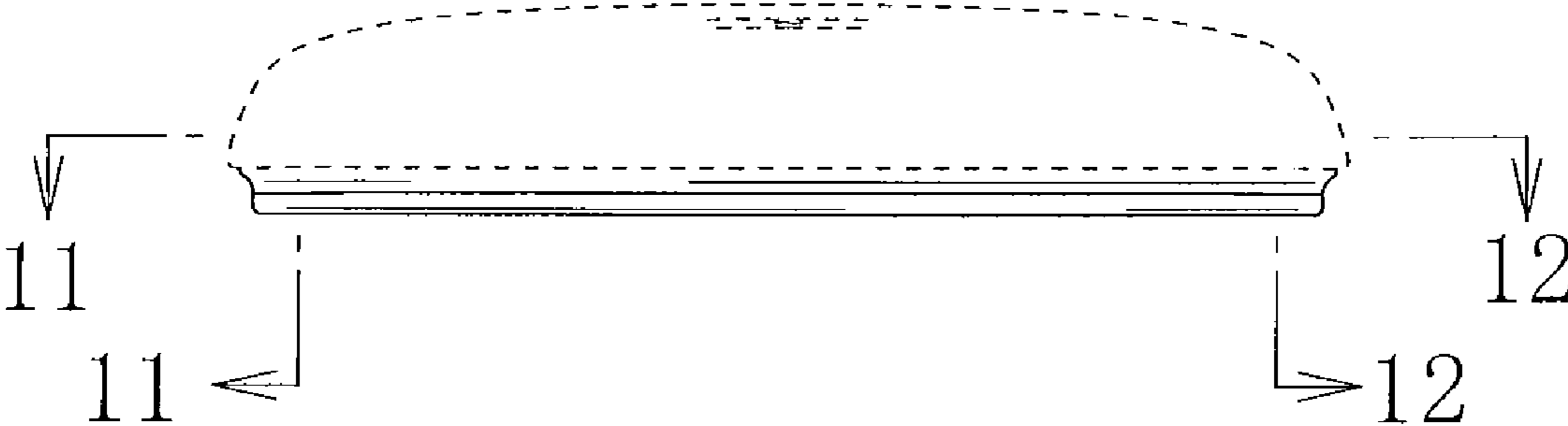


FIG.8

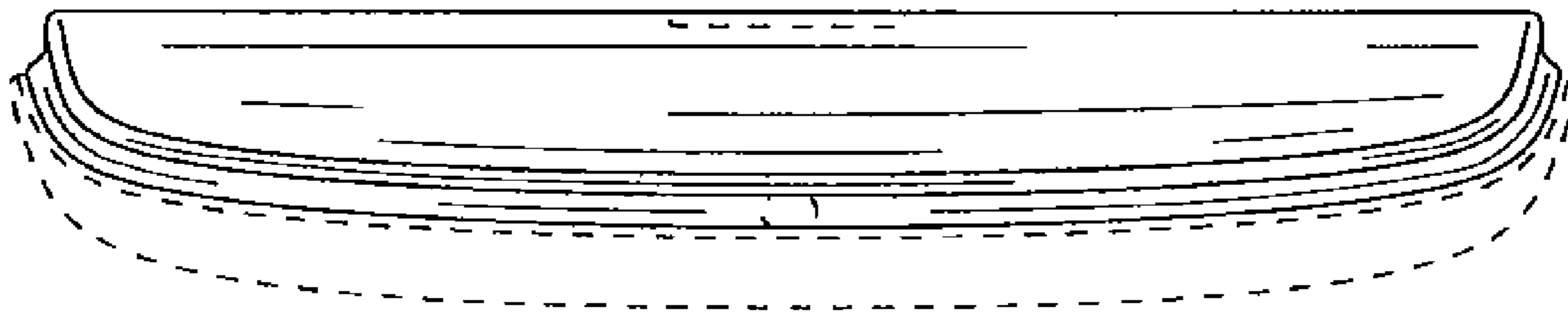


FIG.9

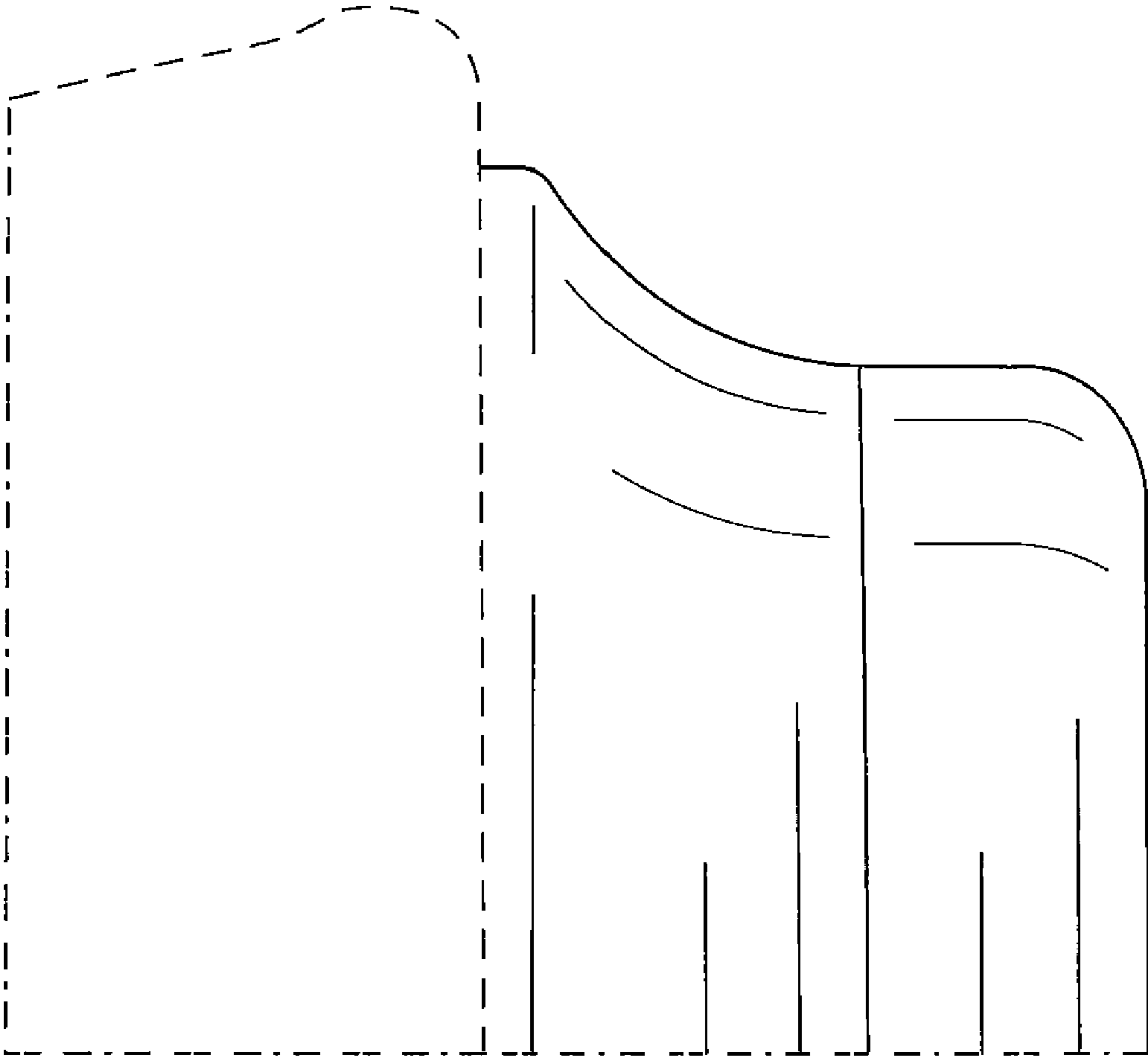


FIG.10

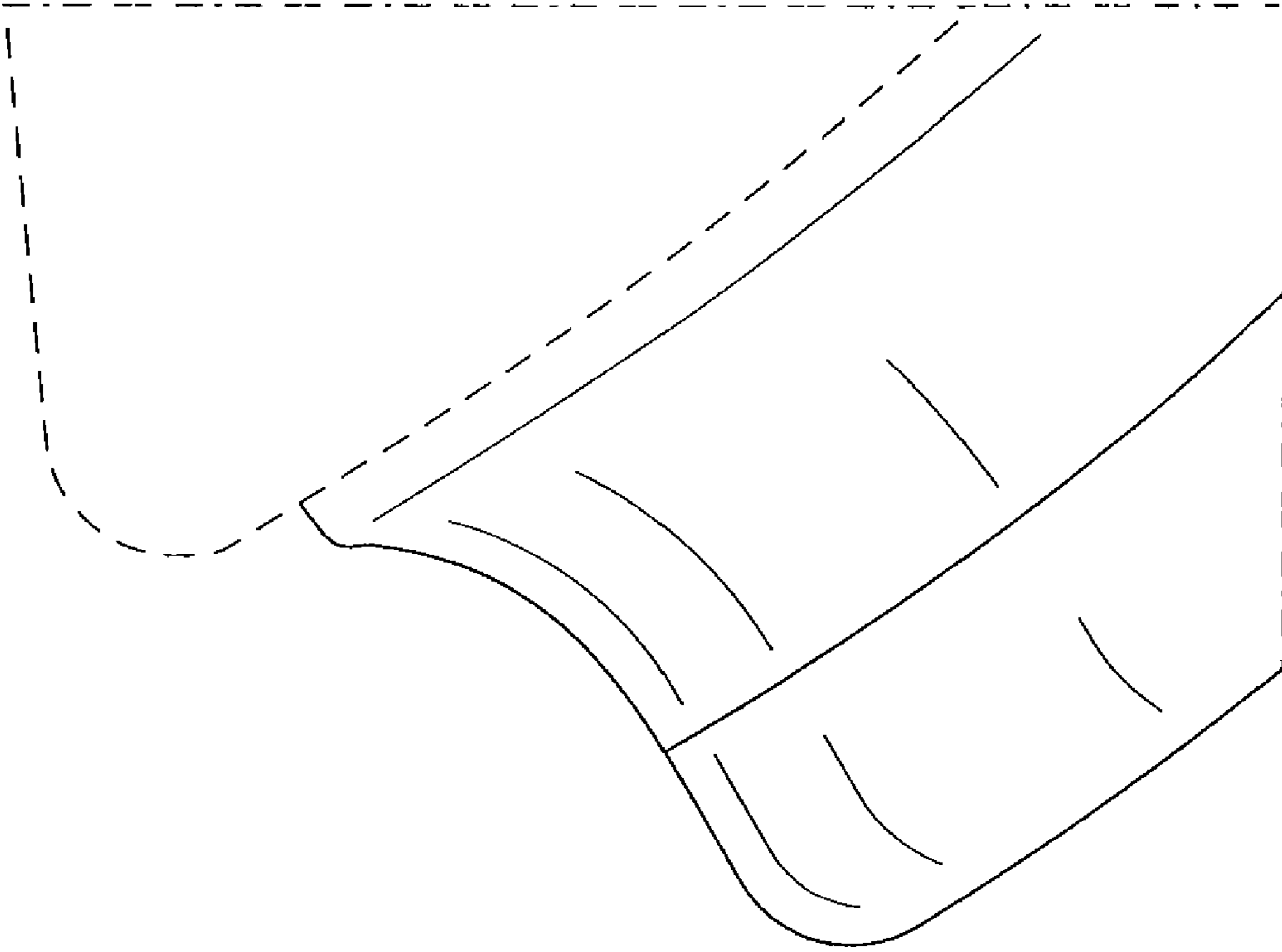


FIG.11

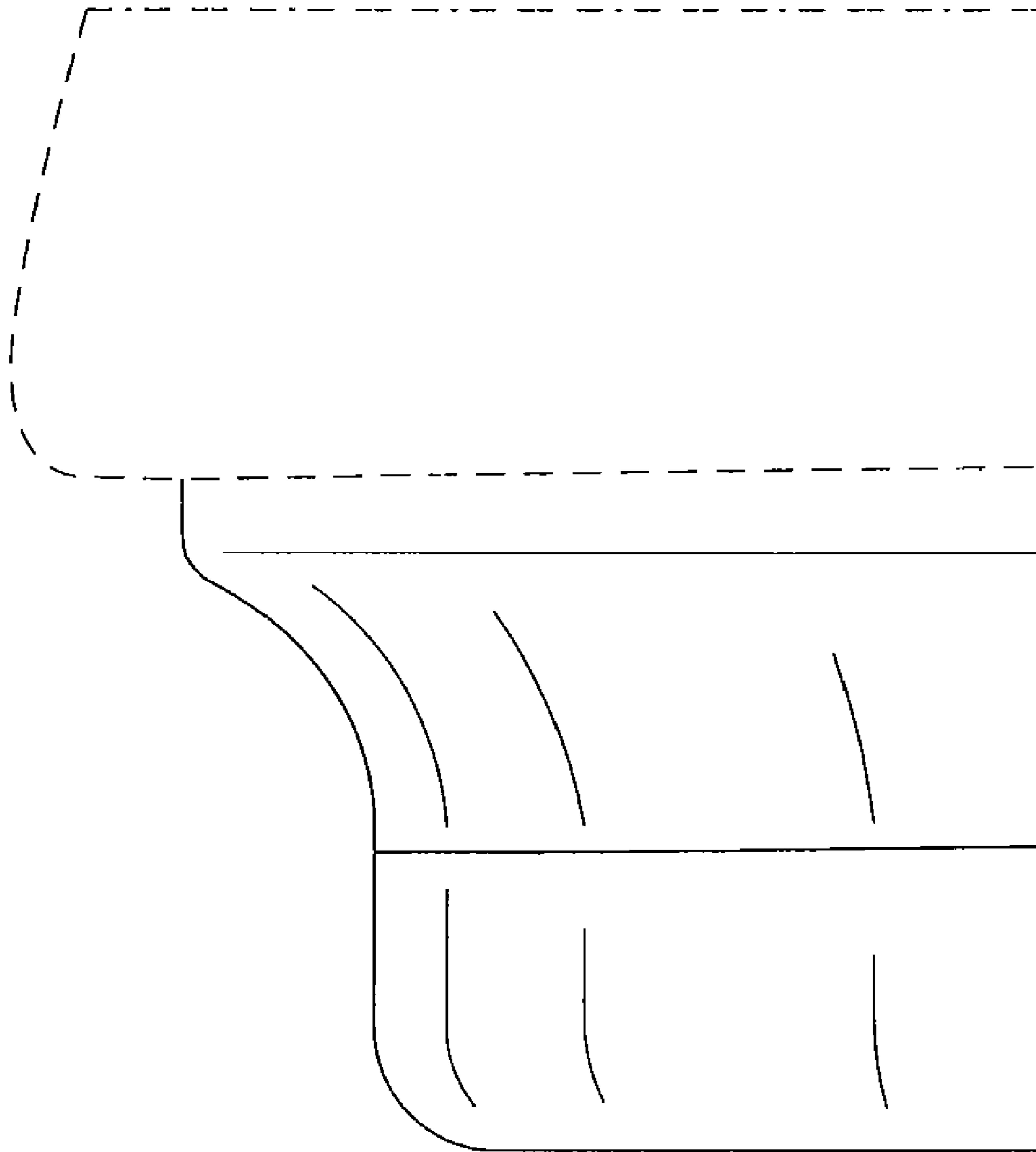


FIG.12

