

US00D635964S

(12) **United States Design Patent**
Podduturi

(10) **Patent No.:** **US D635,964 S**
(45) **Date of Patent:** **** Apr. 12, 2011**

(54) **ANTENNA**
(75) **Inventor:** **Bharadvaj R. Podduturi**, Pleasant Hill, CA (US)
(73) **Assignee:** **World Products, LLC**, Sonoma, CA (US)
(**) **Term:** **14 Years**
(21) **Appl. No.:** **29/369,854**
(22) **Filed:** **Sep. 14, 2010**
(51) **LOC (9) Cl.** **14-03**
(52) **U.S. Cl.** **D14/230**
(58) **Field of Classification Search** D14/138, D14/230-238, 299, 358; D12/42, 43; 343/700 MS, 343/700 R-705, 711-713, 741, 748, 767, 343/795, 819, 840, 846, 866, 871-908; 455/90.2, 455/90.3, 91, 128, 269, 344, 347, 562.1; 333/193, 195
See application file for complete search history.

7,148,849 B2 * 12/2006 Lin 343/700 MS
D535,290 S * 1/2007 Su et al. D14/230
7,183,983 B2 2/2007 Ozden
7,265,718 B2 9/2007 Tsai
7,268,737 B1 9/2007 Ai et al.
D554,111 S * 10/2007 Su et al. D14/230
7,333,067 B2 * 2/2008 Hung et al. 343/770
D572,243 S * 7/2008 Lin et al. D14/230
7,405,704 B1 * 7/2008 Lin et al. 343/702
7,486,249 B2 2/2009 Fujita et al.
D589,035 S * 3/2009 Hellgren D14/230
7,501,991 B2 * 3/2009 Yeap 343/795
7,518,567 B2 4/2009 Utagawa et al.
D599,334 S * 9/2009 Chiang D14/230
7,642,967 B2 1/2010 Wang et al.
7,688,273 B2 3/2010 Montgomery et al.

(Continued)

FOREIGN PATENT DOCUMENTS

WO WO 00/01028 1/2000

Primary Examiner — Celia A Murphy
Assistant Examiner — John Windmuller
(74) *Attorney, Agent, or Firm* — Patterson Thuent Christensen Pedersen P.A.

(56) **References Cited**

U.S. PATENT DOCUMENTS

3,810,183 A 5/1974 Krutsinger et al.
4,110,751 A 8/1978 Reggia et al.
5,181,025 A 1/1993 Ferguson et al.
5,621,419 A 4/1997 Meek et al.
5,771,445 A 6/1998 Harano
5,917,454 A 6/1999 Hill et al.
6,239,765 B1 5/2001 Johnson et al.
6,288,685 B1 9/2001 Thomas
6,462,713 B2 10/2002 Porter et al.
6,734,825 B1 * 5/2004 Guo et al. 343/700 MS
6,861,986 B2 * 3/2005 Fang et al. 343/700 MS
6,891,506 B2 * 5/2005 Jarmuszewski et al. 343/702
6,940,463 B2 9/2005 Ittipiboon et al.
6,975,278 B2 12/2005 Song et al.
7,042,415 B2 5/2006 Cheng

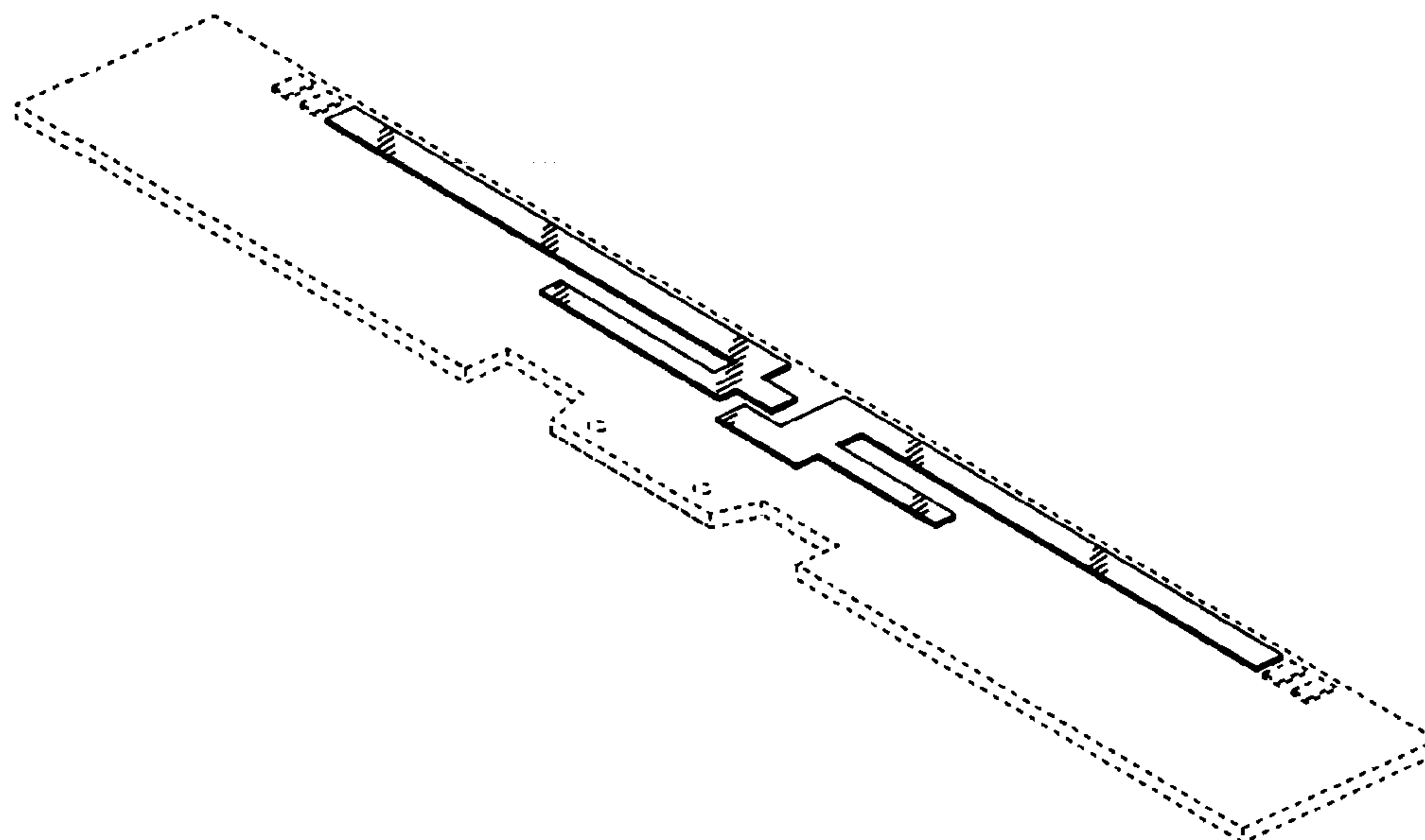
(57) **CLAIM**

I claim the ornamental design for an antenna, as shown.

DESCRIPTION

FIG. 1 is a front perspective view of an antenna showing my new design;
FIG. 2 is a top plan view of the antenna of FIG. 1;
FIG. 3 is a front elevation view of the antenna of FIG. 1;
FIG. 4 is a rear elevation view of the antenna of FIG. 1;
FIG. 5 is a bottom plan view of the antenna of FIG. 1;
FIG. 6 is a left-side elevation view of the antenna of FIG. 1;
and,
FIG. 7 is a right-side elevation view of the antenna of FIG. 1.

1 Claim, 2 Drawing Sheets



US D635,964 S

Page 2

U.S. PATENT DOCUMENTS

7,692,600	B1	4/2010	Pakosz et al.			
7,705,783	B2 *	4/2010	Rao et al.	343/700	MS	
D621,819	S *	8/2010	Tsai et al.	D14/230		
7,821,459	B2 *	10/2010	Su et al.	343/700	MS	
7,843,390	B2 *	11/2010	Liu	343/700	MS	
2003/0210188	A1	11/2003	Hebron et al.			
2003/0231139	A1 *	12/2003	Tai et al.	343/795		
2004/0183728	A1 *	9/2004	Zinanti et al.	343/700	MS	
2004/0222936	A1 *	11/2004	Hung et al.	343/795		
2005/0052328	A1	3/2005	De Angelis			
2005/0190108	A1 *	9/2005	Lin et al.	343/702		
2005/0237260	A1	10/2005	Bancroft			
2006/0284784	A1	12/2006	Smith et al.			
2007/0030203	A1 *	2/2007	Tsai et al.	343/702		
2008/0030407	A1 *	2/2008	Hung et al.	343/700	MS	
2008/0079639	A1 *	4/2008	Jen-Huan	343/702		
2008/0129536	A1	6/2008	Randall et al.			
2008/0150829	A1 *	6/2008	Lin et al.	343/860		
2008/0246668	A1 *	10/2008	Qi et al.	343/702		
2009/0058739	A1 *	3/2009	Konishi	343/702		
2009/0135072	A1 *	5/2009	Ke et al.	343/700	MS	
2010/0302111	A1 *	12/2010	Kotaka et al.	343/702		

* cited by examiner

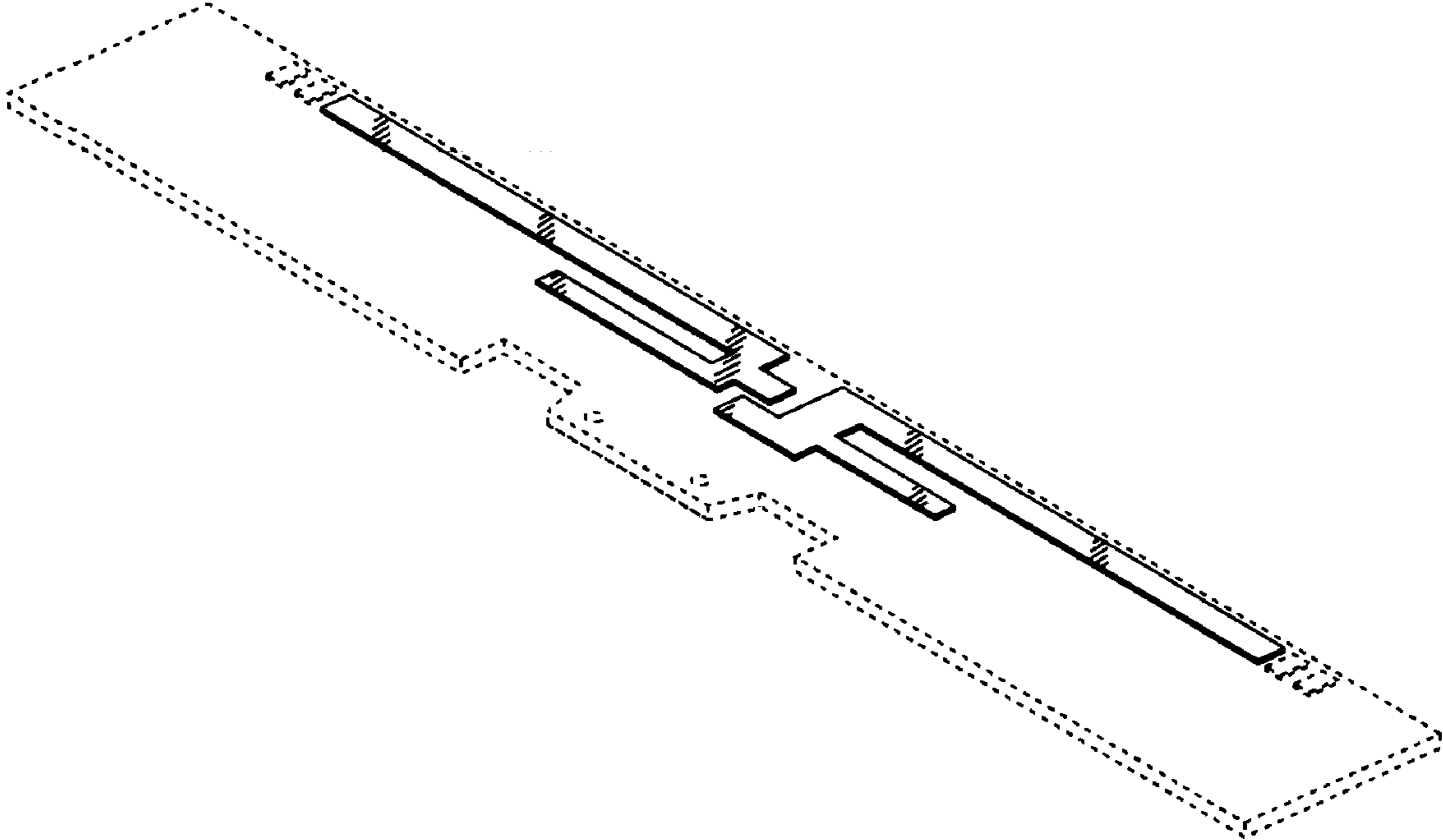


Fig. 1

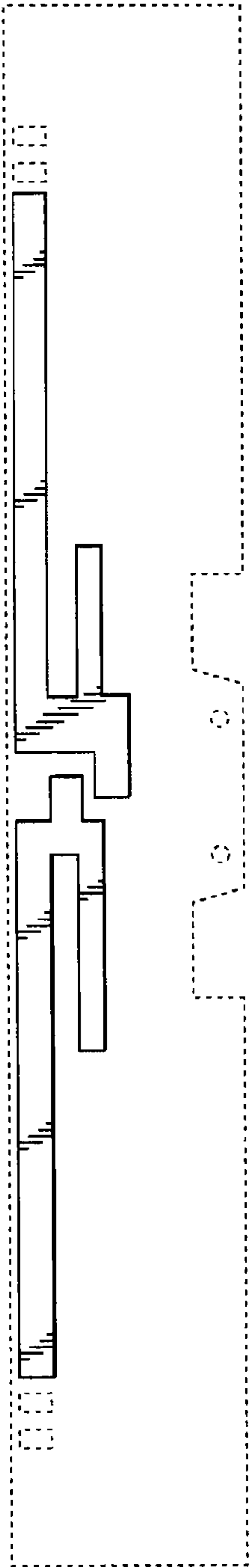


Fig. 2

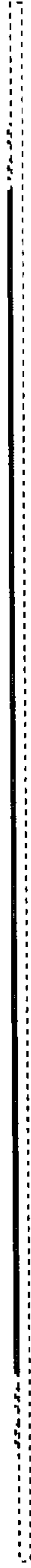


Fig. 3



Fig. 4

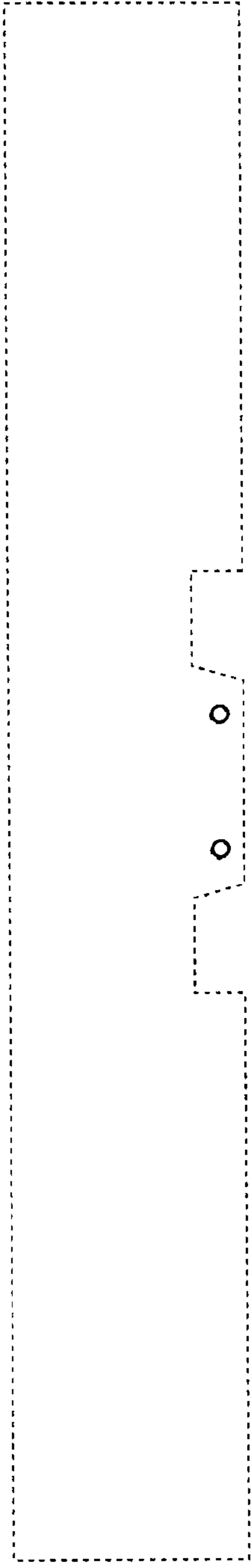


Fig. 5

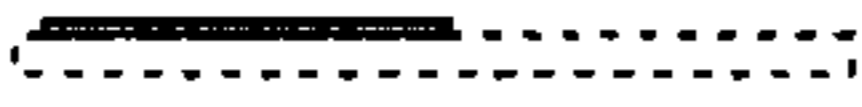


Fig. 6



Fig. 7