

US00D635962S

(12) **United States Design Patent**
Kelley

(10) **Patent No.:** **US D635,962 S**

(45) **Date of Patent:** **** Apr. 12, 2011**

(54) **COMMUNICATIONS HEADSET**

(75) Inventor: **John Kelley**, Santa Cruz, CA (US)

(73) Assignee: **Plantronics, Inc.**, Santa Cruz, CA (US)

(**) Term: **14 Years**

(21) Appl. No.: **29/364,785**

(22) Filed: **Jun. 28, 2010**

(51) **LOC (9) Cl.** **14-01**

(52) **U.S. Cl.** **D14/223; D14/206**

(58) **Field of Classification Search** D14/205,
D14/206, 223, 138 R; 181/129, 130, 135;
381/380, 381, 370, 374, 375; 379/430, 433.01,
379/433.03, 433.04; 455/90.3, 575.1
See application file for complete search history.

(56) **References Cited**

U.S. PATENT DOCUMENTS

D233,444	S	*	10/1974	Christian	D14/206
D460,960	S	*	7/2002	Kao	D14/223
6,560,346	B2	*	5/2003	Ohta et al.	381/382
D492,667	S	*	7/2004	Skulley et al.	D14/223
D517,053	S	*	3/2006	Ham	D14/223
D518,479	S	*	4/2006	Skulley	D14/225
7,106,877	B1	*	9/2006	Linville	381/381
D555,153	S	*	11/2007	Wilson et al.	D14/223
D581,900	S	*	12/2008	Caddes et al.	D14/206
D598,895	S	*	8/2009	Bentley et al.	D14/206

D618,221	S	*	6/2010	Fahrendorff et al.	D14/223
D619,998	S	*	7/2010	Birger	D14/223
D623,629	S	*	9/2010	Lau	D14/223

* cited by examiner

Primary Examiner — Paula Greene

(74) *Attorney, Agent, or Firm* — Michael Rodriguez

(57) **CLAIM**

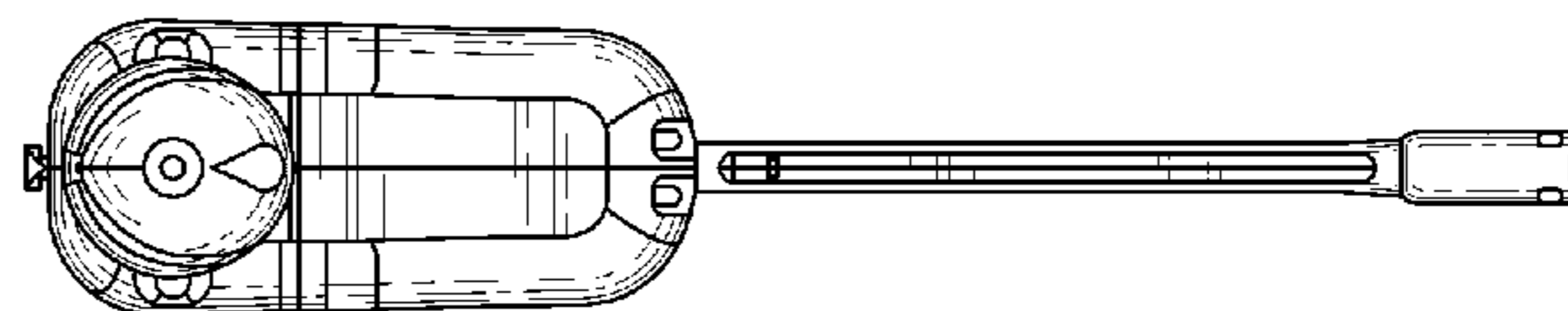
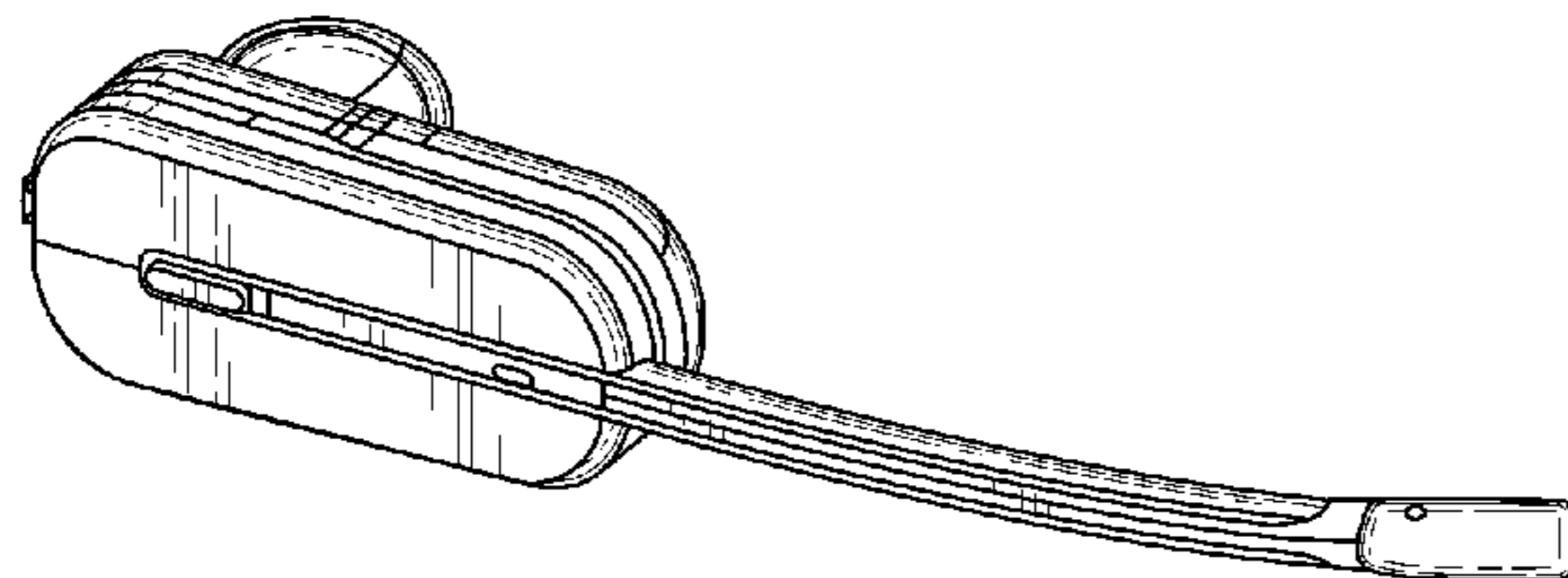
The ornamental design for a communications headset, as shown and described.

DESCRIPTION

FIG. 1 is a front-top-right perspective view of a communications headset showing my new design; FIG. 2 is a right side view thereof; FIG. 3 is a left side view thereof; FIG. 4 is a top view thereof; FIG. 5 is a bottom view thereof; FIG. 6 is a front view thereof; FIG. 7 is a back view thereof; FIG. 8 is another left side view of a communications headset with an ear loop in broken lines; and, FIG. 9 is another front top right perspective view of a communications headset with the behind the head headband in broken lines.

The broken lines showing of the unclaimed environment forms no part of the claimed design.

1 Claim, 4 Drawing Sheets



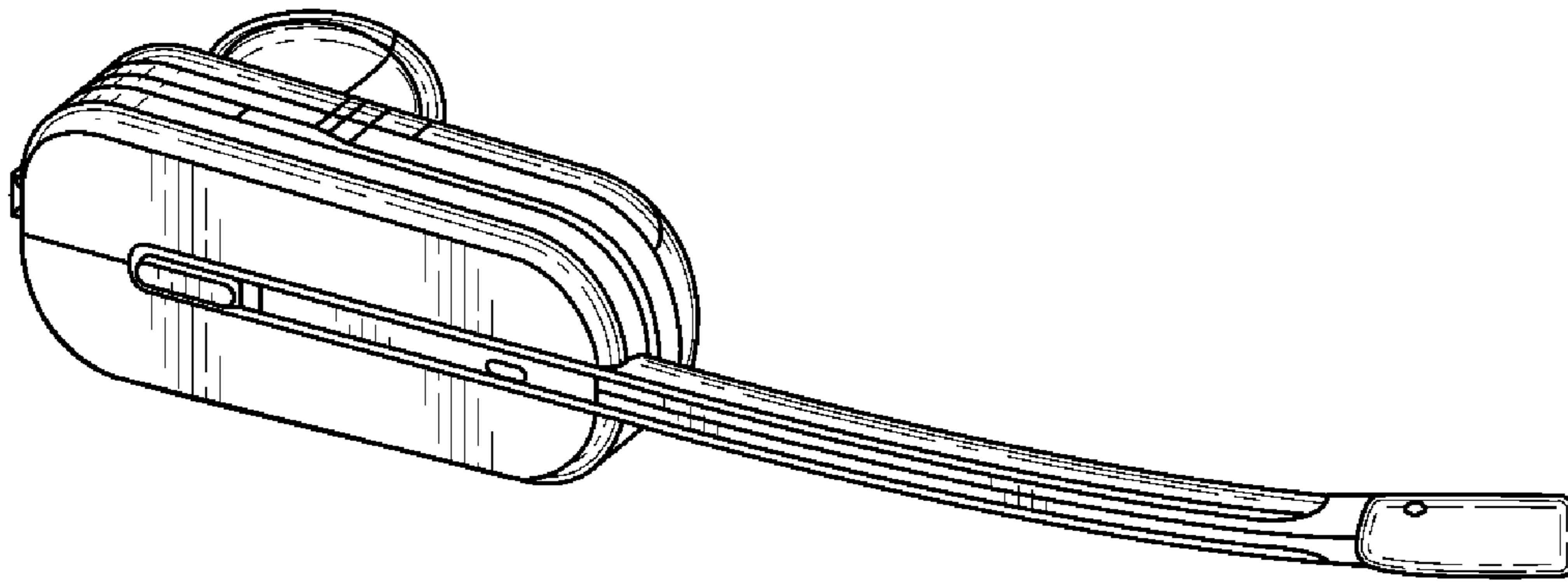


FIG. 1

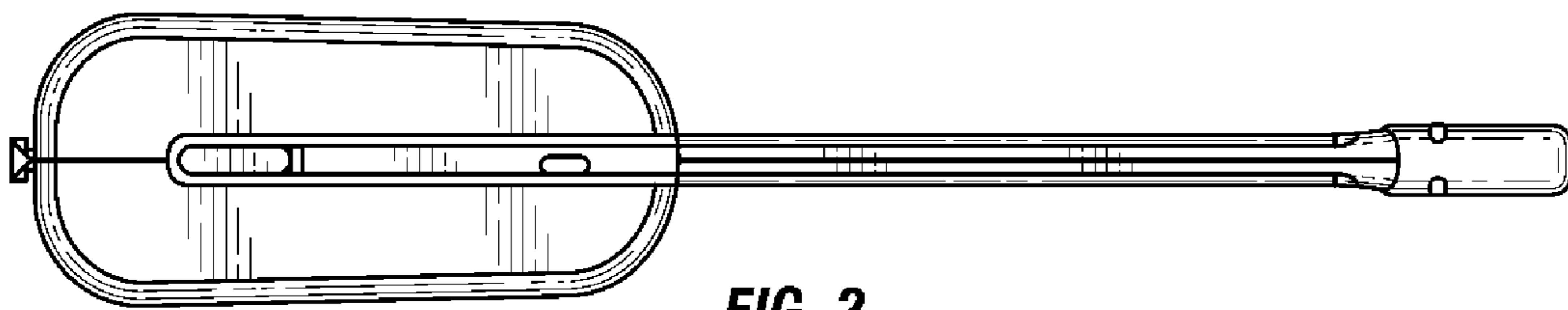


FIG. 2

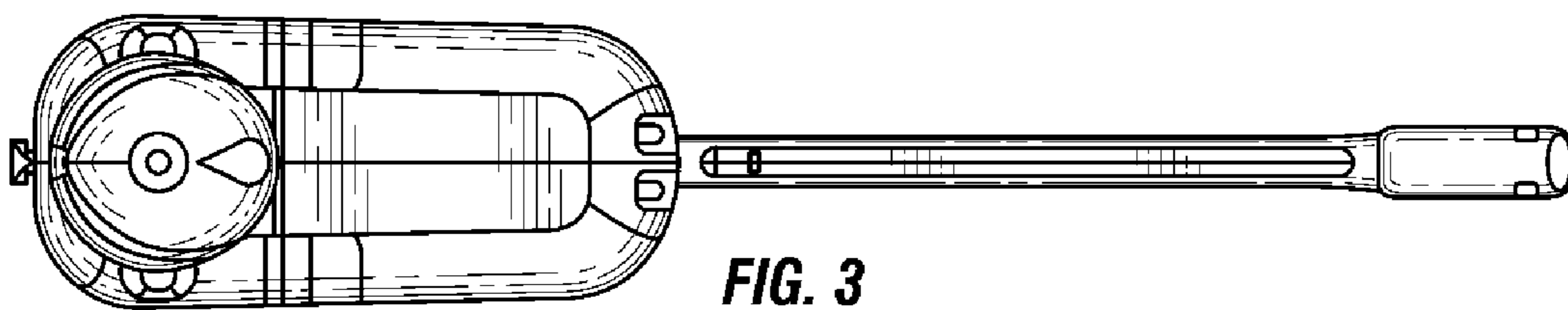


FIG. 3

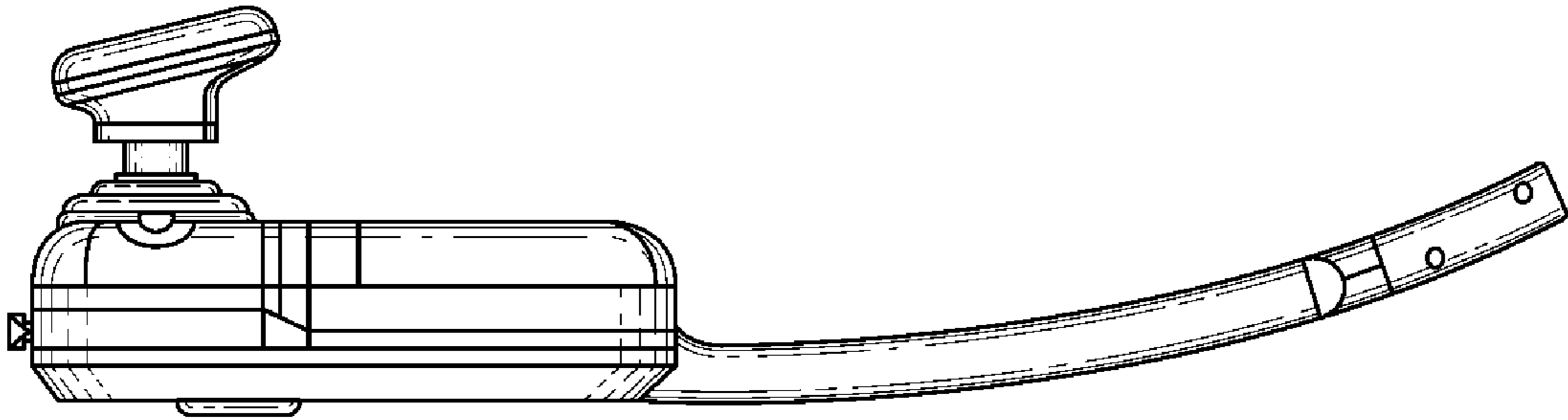


FIG. 4

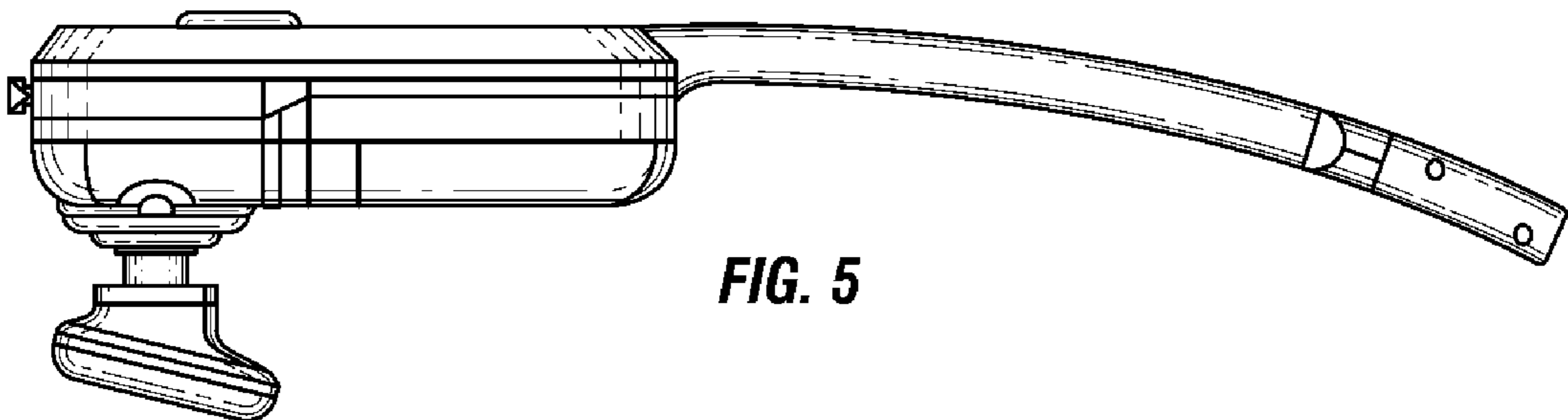


FIG. 5

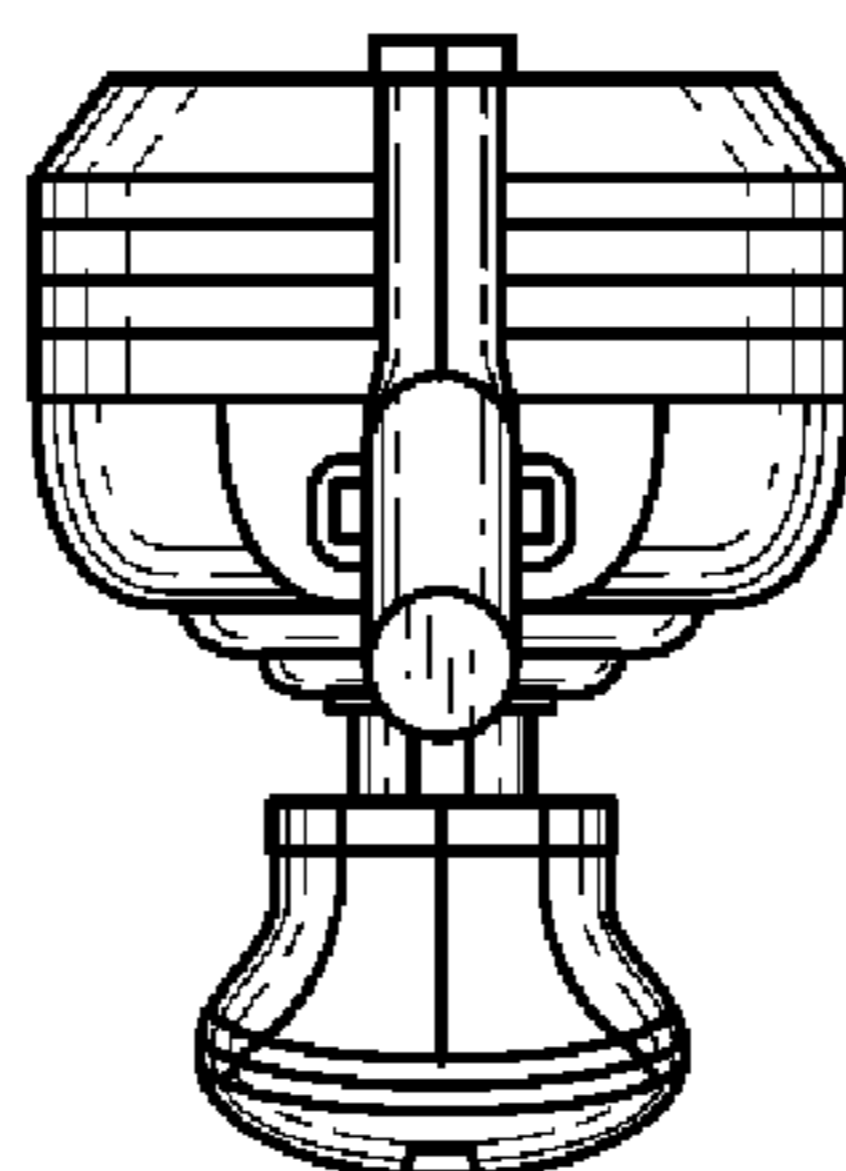


FIG. 6

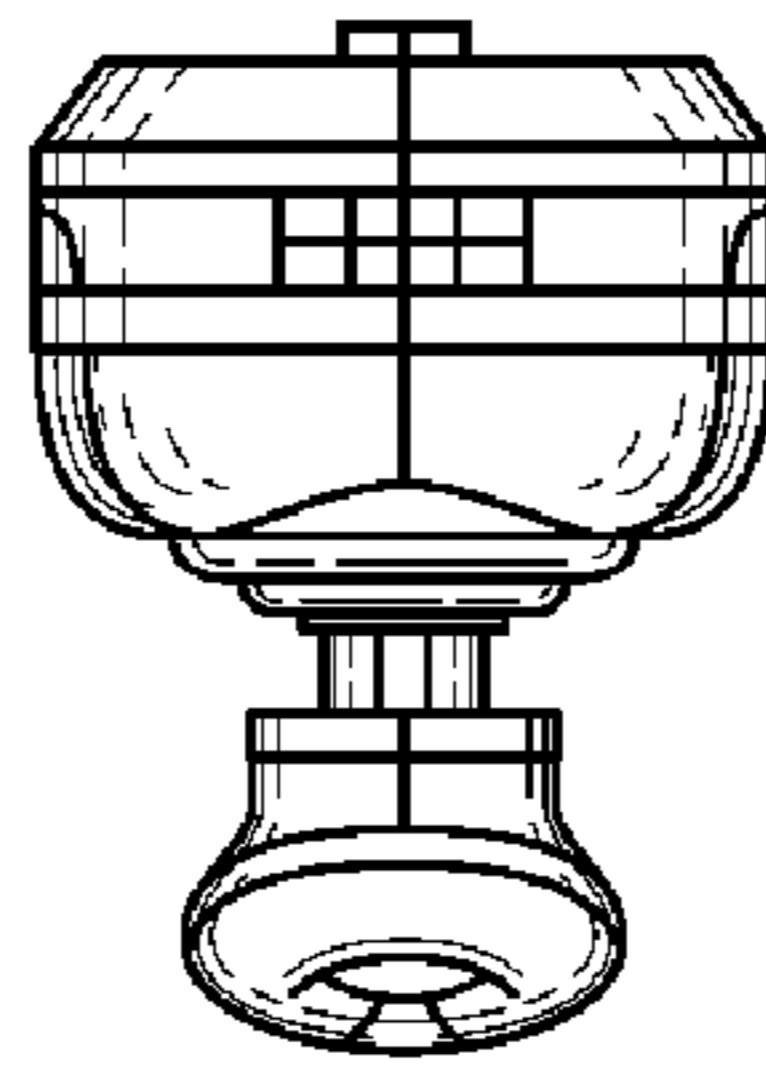


FIG. 7

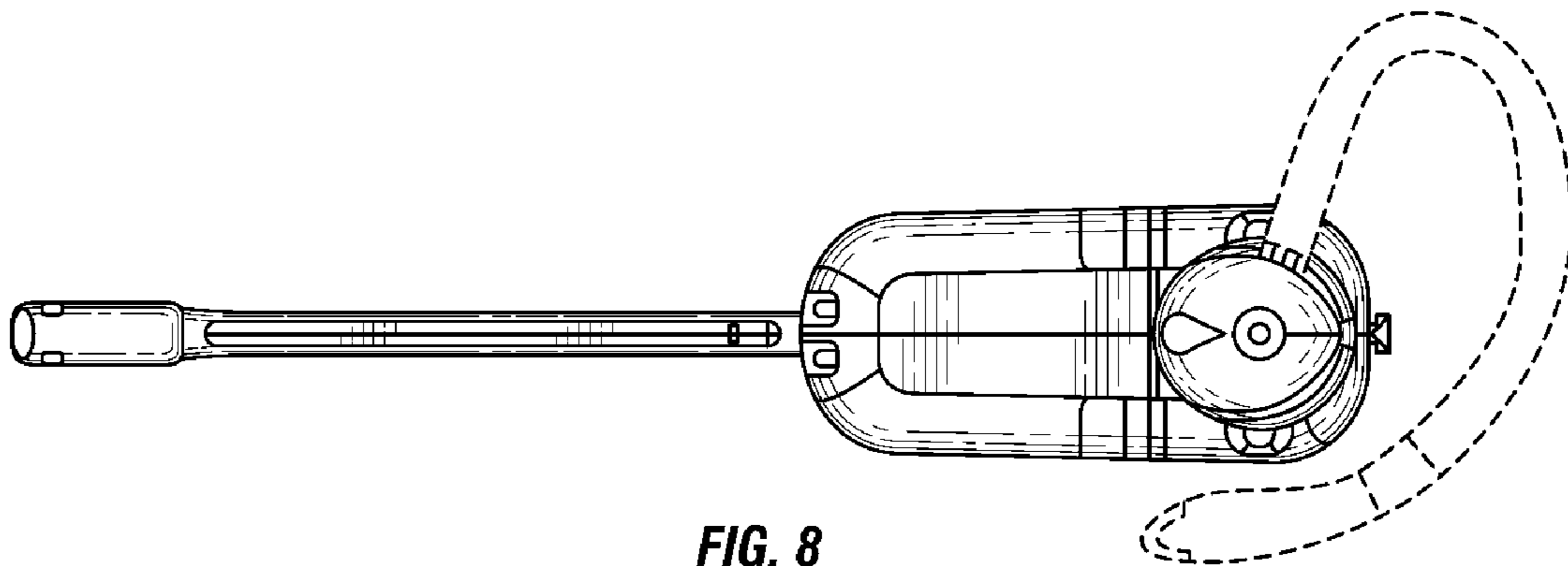


FIG. 8

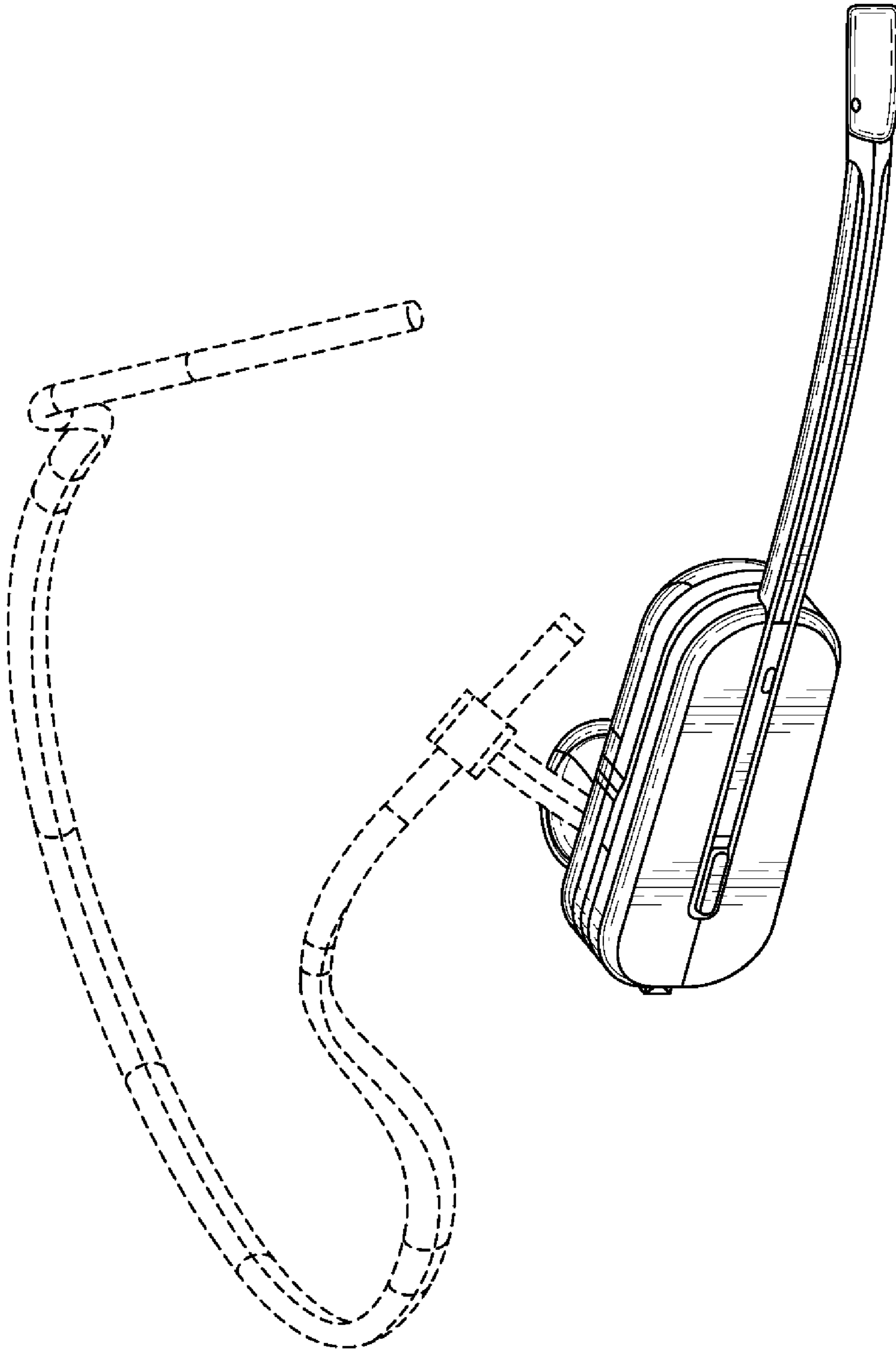


FIG. 9