



US00D635961S

(12) **United States Design Patent**  
**Gidden et al.**

(10) **Patent No.:** **US D635,961 S**

(45) **Date of Patent:** **\*\* Apr. 12, 2011**

(54) **HEADSET AND DOCKING STATION**

(75) Inventors: **Dan R. Gidden**, Bradford (CA); **Tiberiu Duka-Kispal**, Markham (CA); **Kaerynne Nakamura**, Toronto (CA); **Anders Hellberg**, Malmo (SE); **David Granath**, Malmo (SE)

(73) Assignee: **Novero Canada Inc.**, Ontario (CA)

(\*\*) Term: **14 Years**

(21) Appl. No.: **29/355,737**

(22) Filed: **Feb. 12, 2010**

(51) **LOC (9) Cl.** ..... **14-01**

(52) **U.S. Cl.** ..... **D14/223**

(58) **Field of Classification Search** ..... D14/205,  
D14/206, 223, 188, 192, 240, 217, 155, 251,  
D14/214, 225, 224.1, 229; 181/129, 130;  
379/430; 381/380, 381; D13/107, 108; 320/107,  
320/111, 110, 113; 455/343.1, 351, 90.3,  
455/575.1

See application file for complete search history.

(56) **References Cited**

**U.S. PATENT DOCUMENTS**

5,594,314	A *	1/1997	Hagiuda et al.	320/110
D518,477	S *	4/2006	Chen	D14/223
7,086,907	B2 *	8/2006	Bhavnani	439/638
D538,271	S *	3/2007	Kim et al.	D14/223
D551,216	S *	9/2007	Wei	D14/223
D552,087	S *	10/2007	Wei	D14/223
D595,697	S *	7/2009	Mao et al.	D14/223
7,557,533	B2 *	7/2009	Yang	320/107
D597,534	S *	8/2009	Christopher	D14/223
D603,377	S *	11/2009	Chung	D14/223

D603,378	S *	11/2009	Paradise	D14/223
D614,608	S *	4/2010	Behling	D14/223
7,746,028	B1 *	6/2010	Yang et al.	320/107

\* cited by examiner

*Primary Examiner* — Paula Greene

(74) *Attorney, Agent, or Firm* — F. Chau & Associates, LLC

(57) **CLAIM**

The ornamental design for headset and docking station, as shown and described.

**DESCRIPTION**

FIG. 1 is a perspective view showing the headset and docking station according to our new design, with the headset disposed in the docking station;

FIG. 2 is an exploded perspective view showing the headset removed from the docking station;

FIG. 3 is a rear elevational view of the docking station for the headset and docking station shown separately for purposes of illustration;

FIG. 4 is a front elevation view thereof;

FIG. 5 is a side elevation view thereof;

FIG. 6 is a top elevation view thereof;

FIG. 7 is an opposite side elevation view thereof;

FIG. 8 is a bottom elevation view thereof;

FIG. 9 is a rear elevational view of the headset for the headset and docking station shown separately for purposes of illustration;

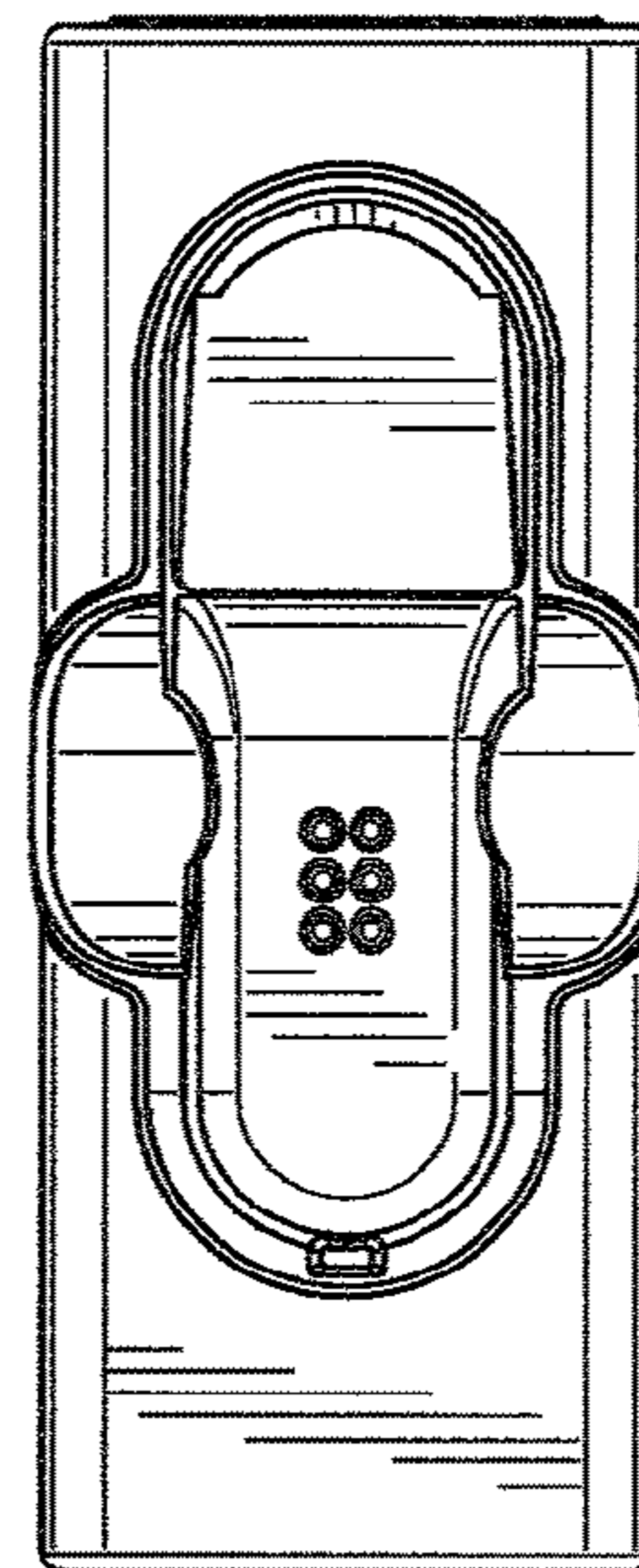
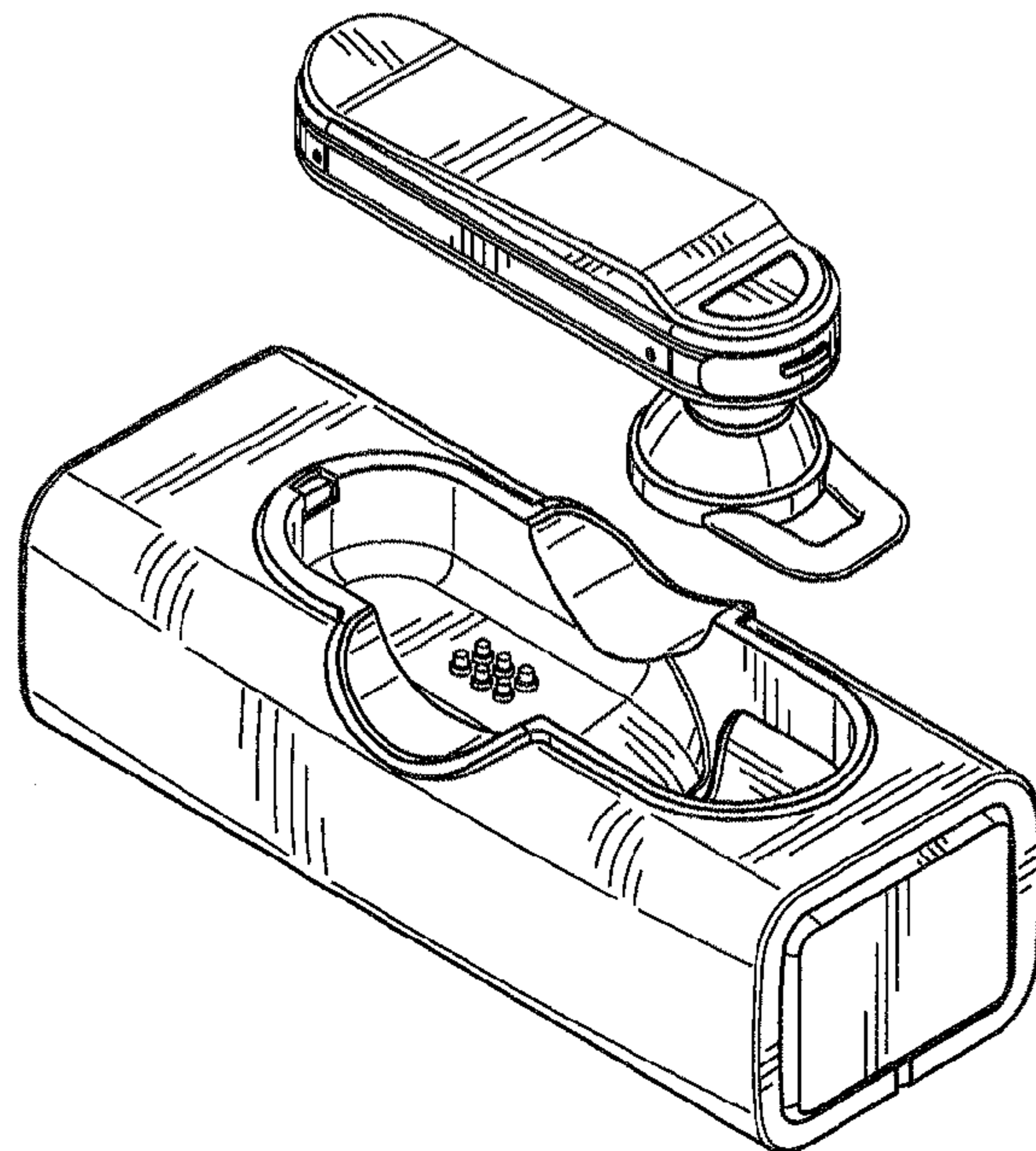
FIG. 10 is a side elevation view thereof;

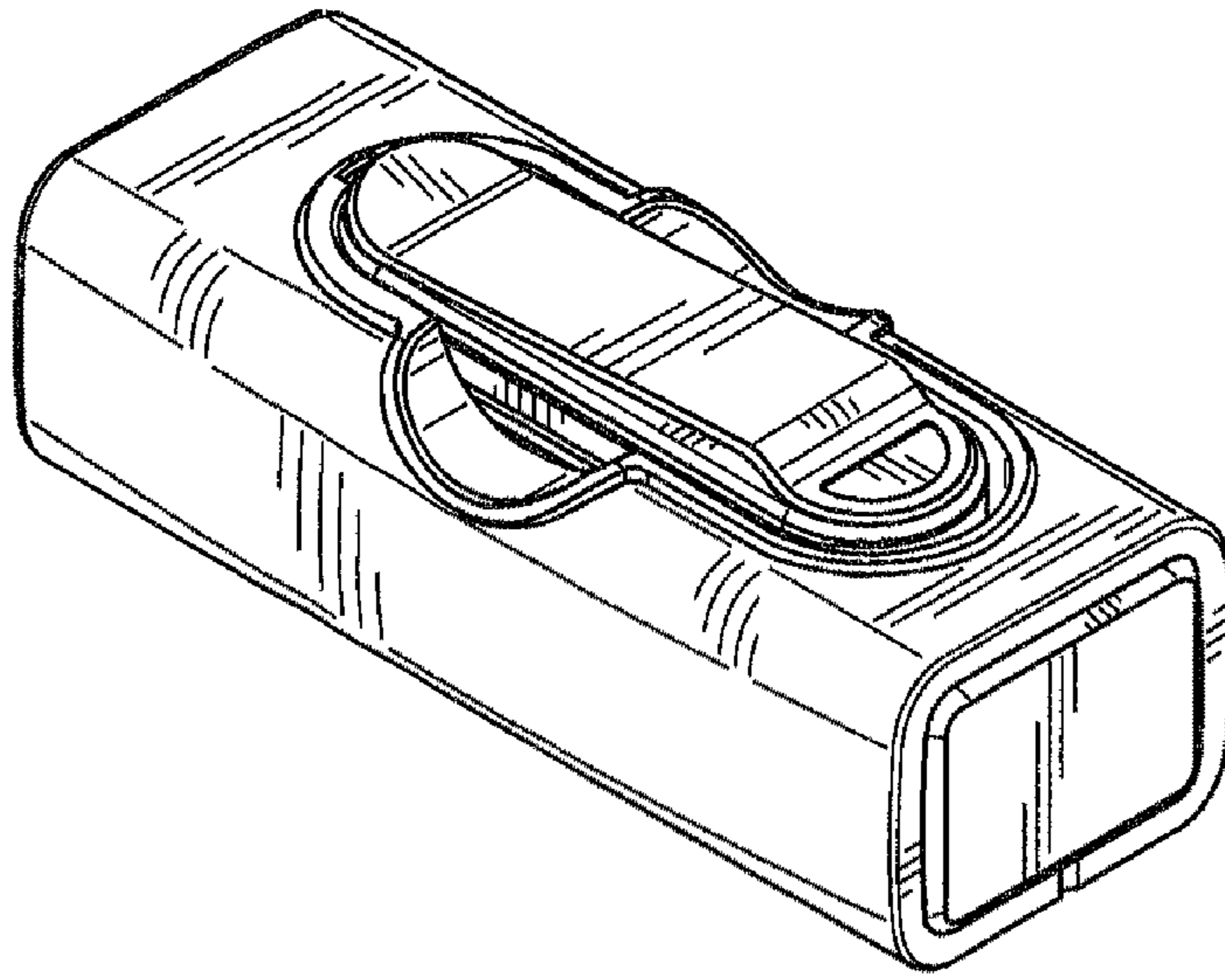
FIG. 11 is a front elevation view thereof;

FIG. 12 is a top view thereof; and,

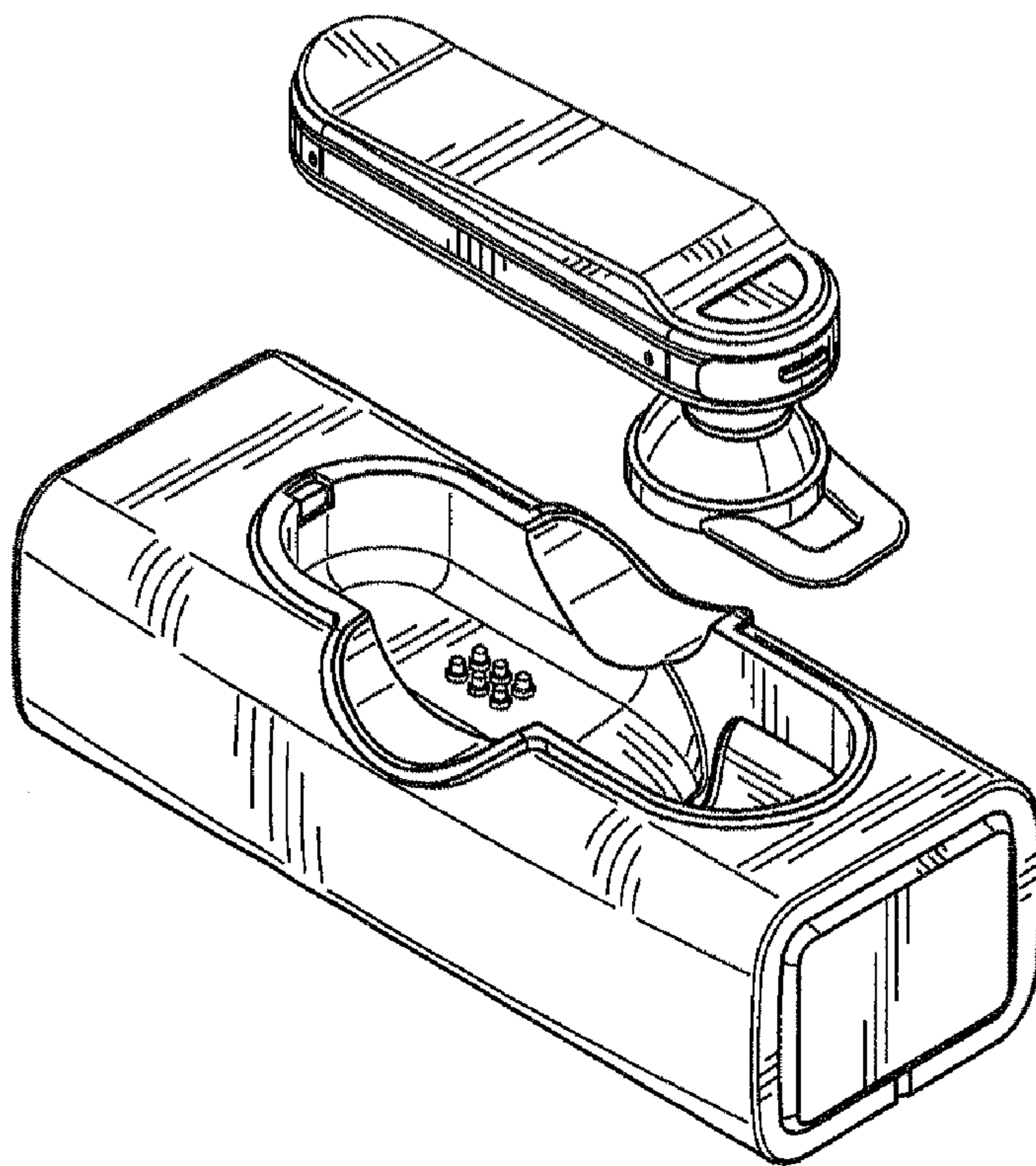
FIG. 13 is a bottom view thereof.

**1 Claim, 3 Drawing Sheets**



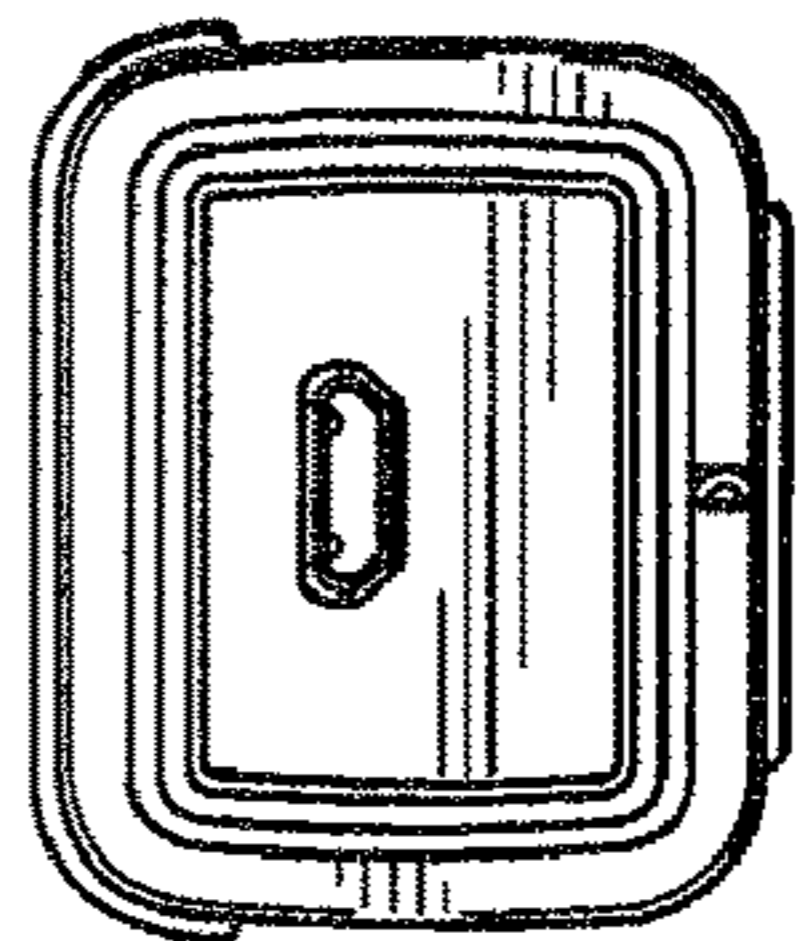


**FIG. 1**

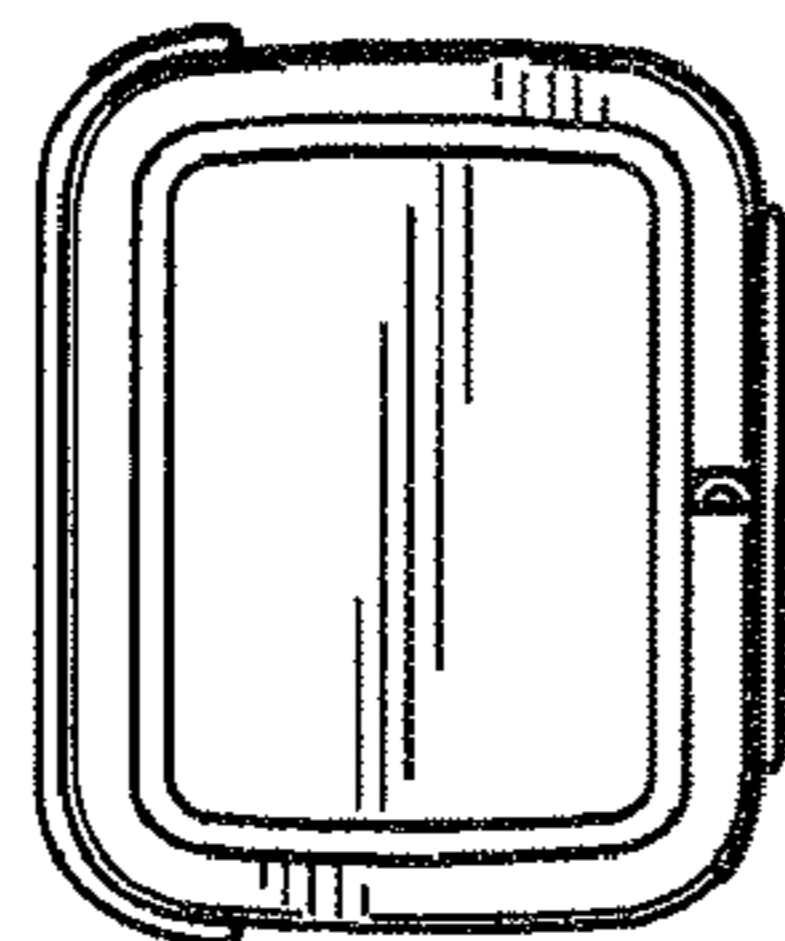


**FIG. 2**

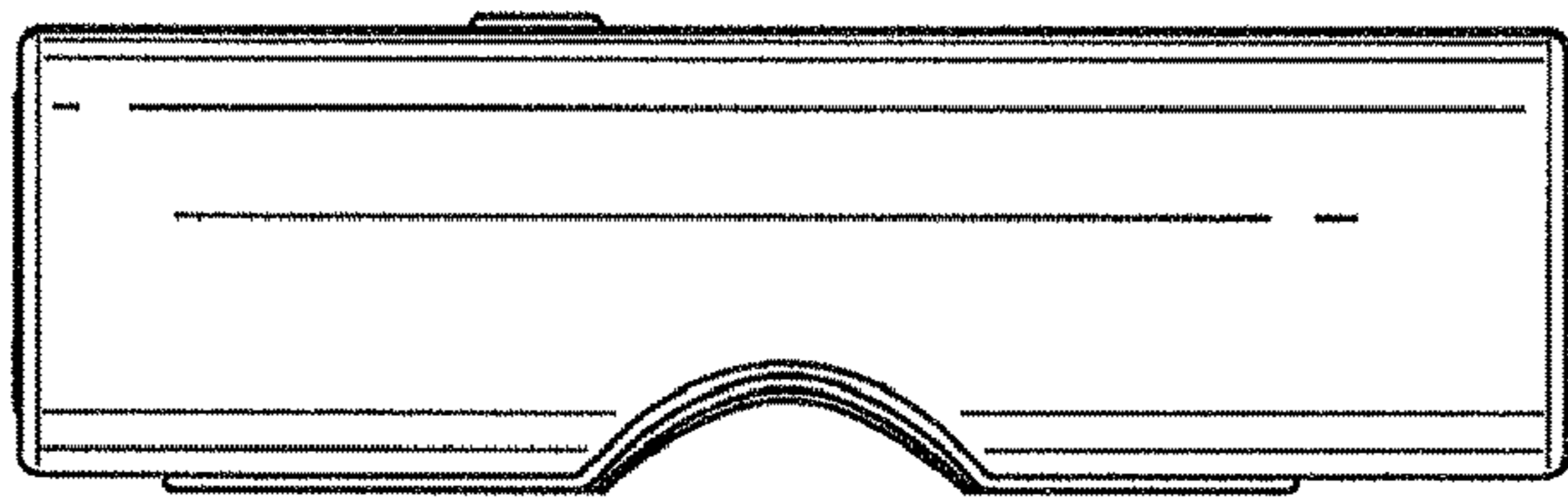




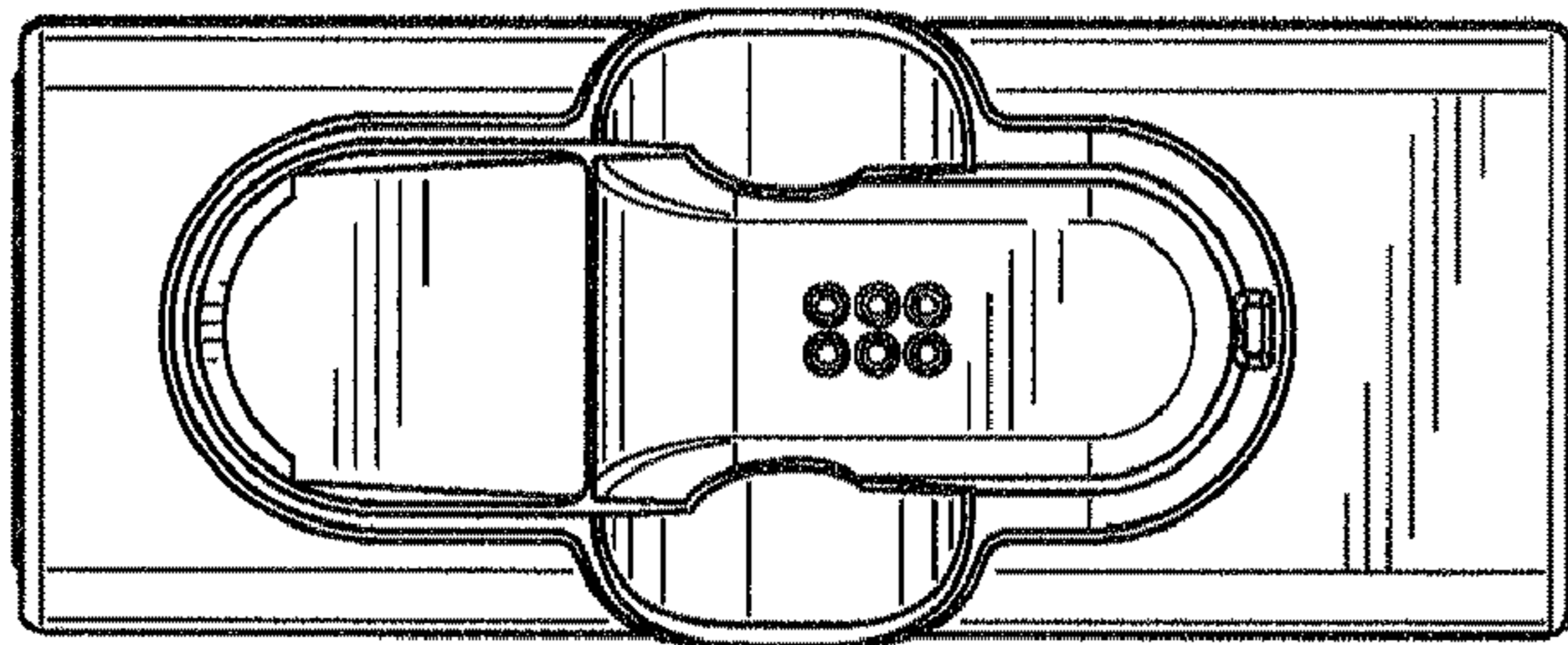
**FIG. 3**



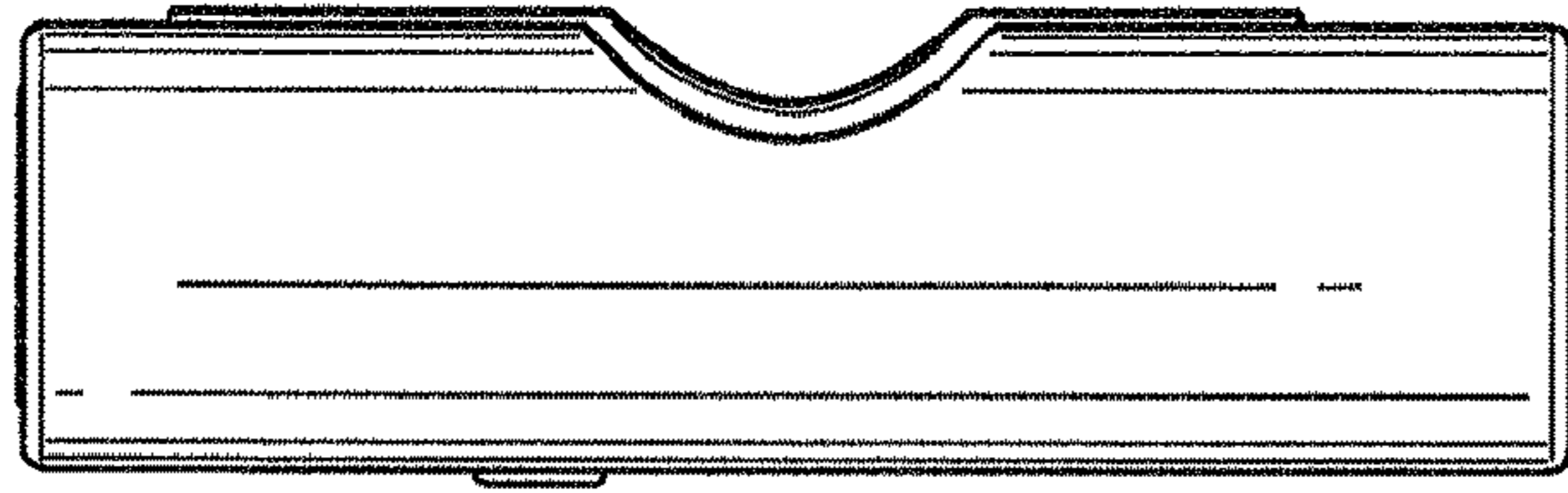
**FIG. 4**



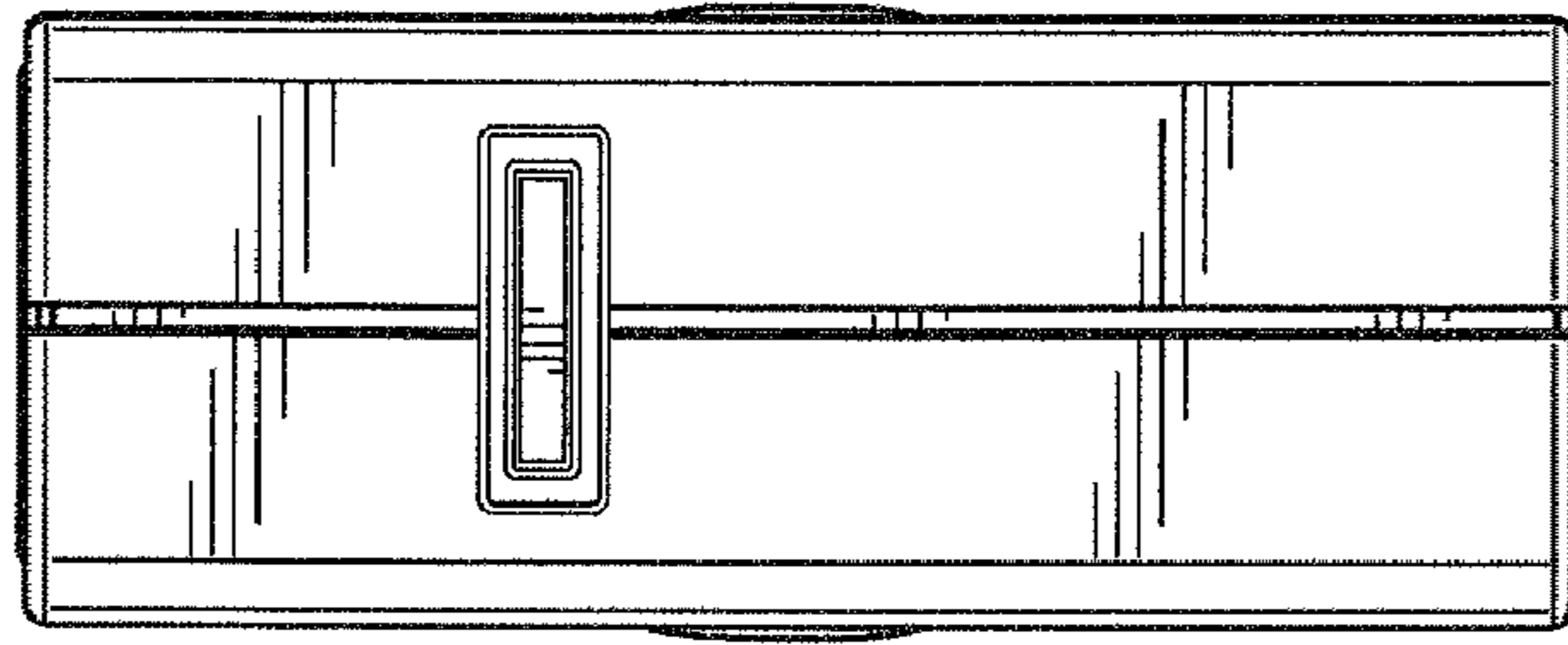
**FIG. 5**



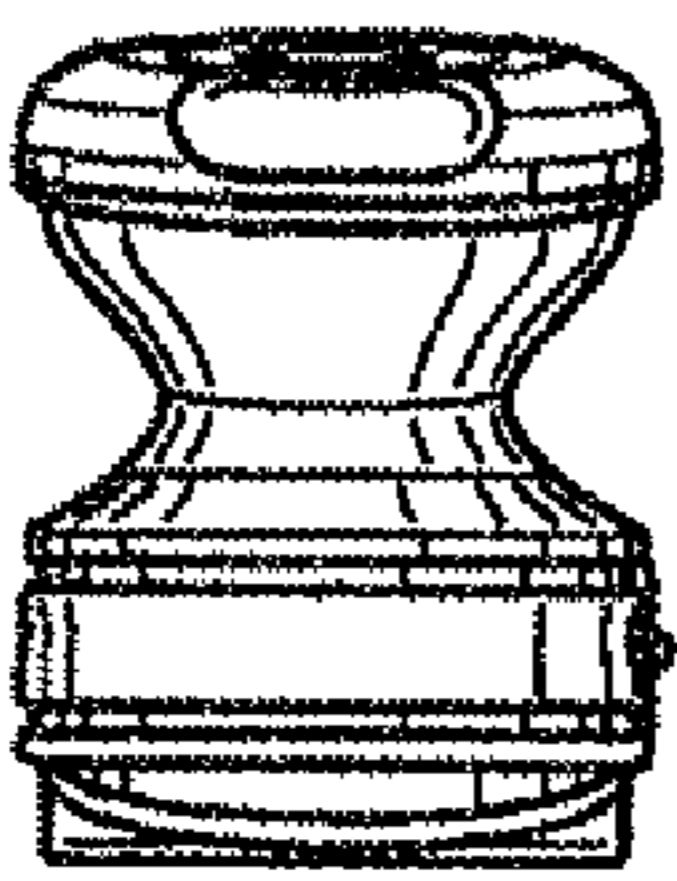
**FIG. 6**



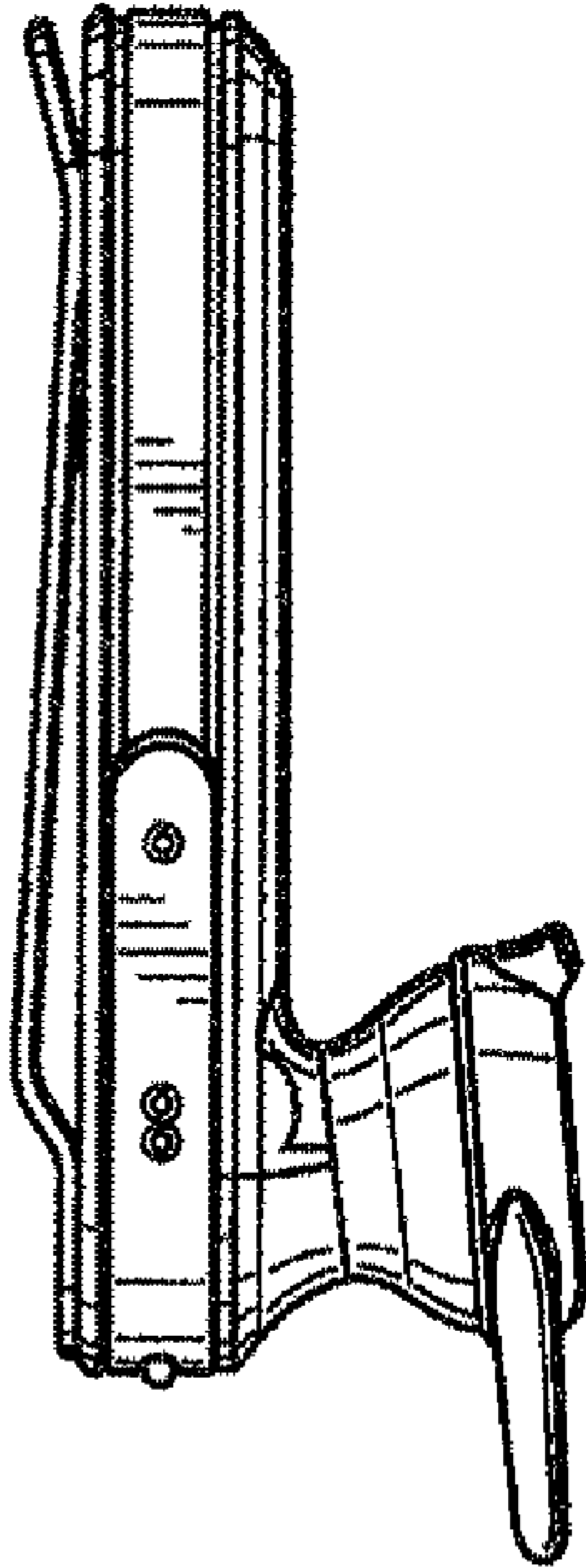
**FIG. 7**



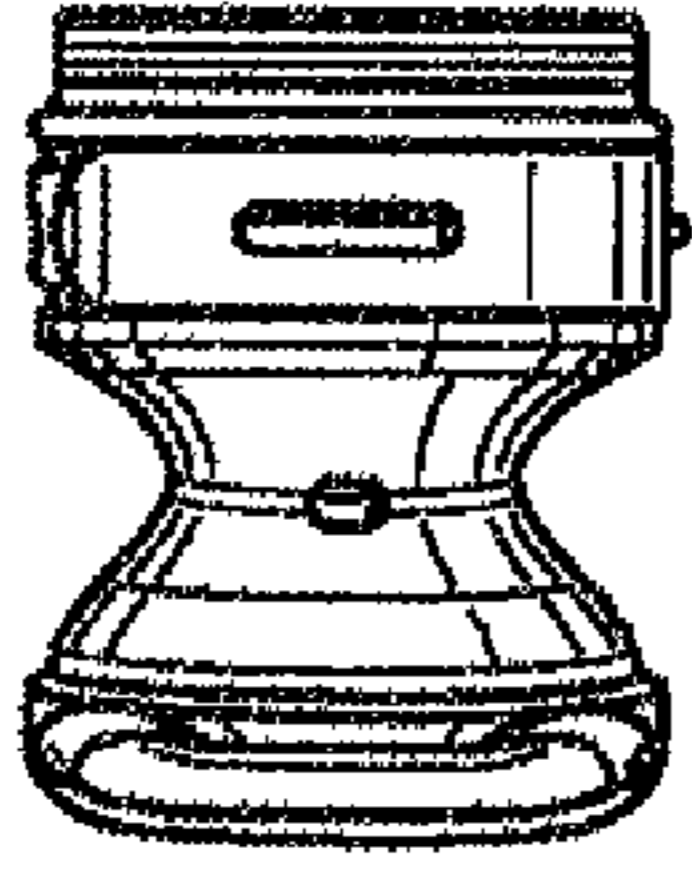
**FIG. 8**



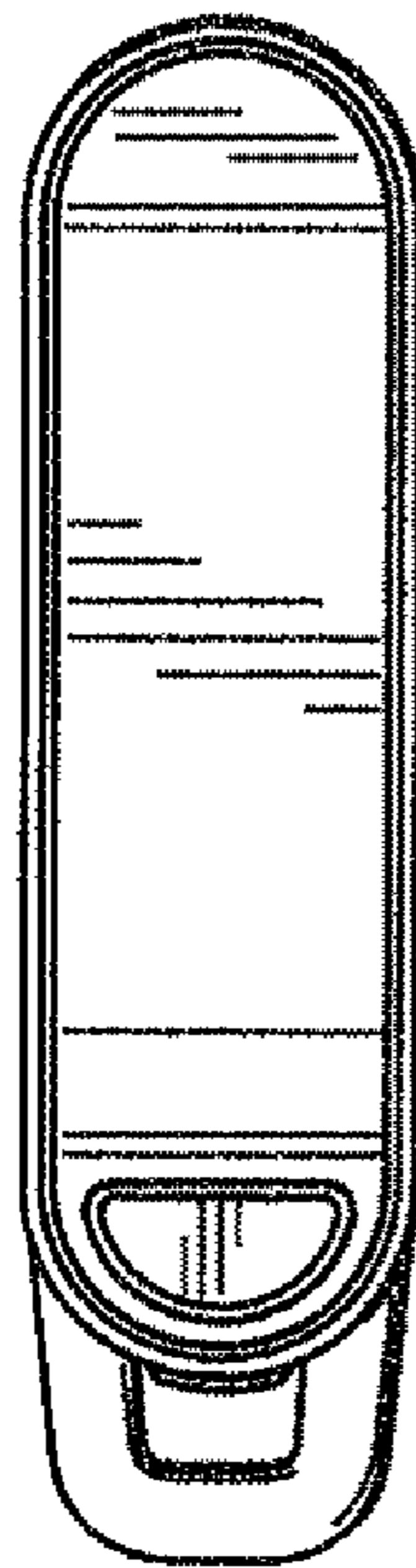
**FIG. 9**



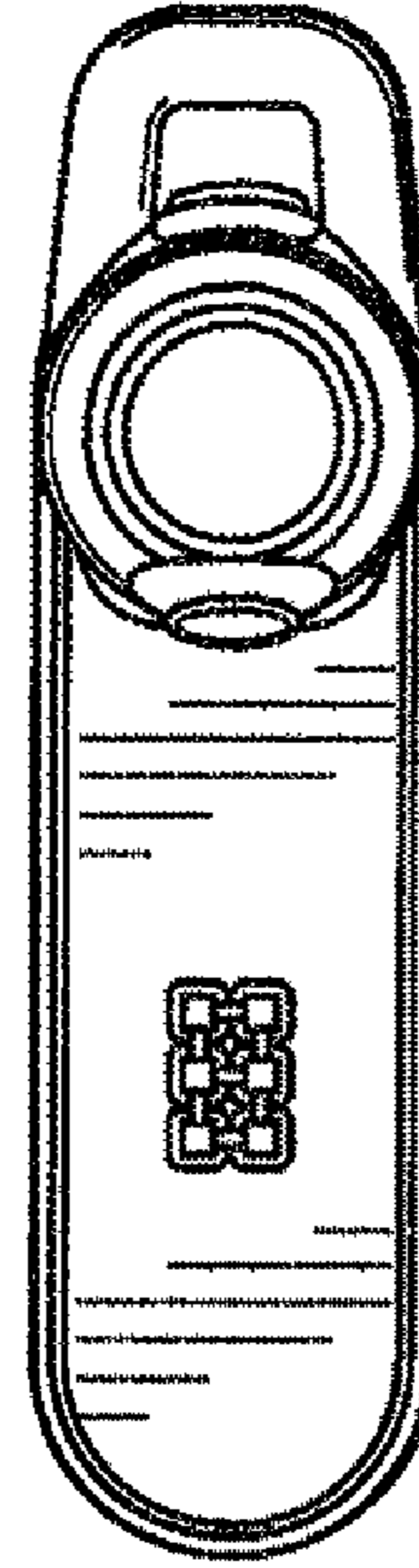
**FIG. 10**



**FIG. 11**



**FIG. 12**



**FIG. 13**