



US00D635960S

(12) **United States Design Patent**  
**Gondo et al.**

(10) **Patent No.:** **US D635,960 S**  
(45) **Date of Patent:** **\*\* Apr. 12, 2011**

(54) **EARPHONES**

(75) Inventors: **Makoto Gondo**, Kanagawa (JP); **Yuto Nomura**, Tokyo (JP)

(73) Assignee: **Victor Company of Japan, Limited**, Kanagawa (JP)

(\*\*) Term: **14 Years**

(21) Appl. No.: **29/349,547**

(22) Filed: **Apr. 13, 2010**

(30) **Foreign Application Priority Data**

Oct. 13, 2009 (JP) ..... 2009-023895

(51) **LOC (9) Cl.** ..... **14-01**

(52) **U.S. Cl.** ..... **D14/223**

(58) **Field of Classification Search** ..... D14/205,  
D14/206, 223, 142; 181/129, 130, 131, 135;  
381/322, 380, 381; 379/430, 433.01, 431,  
379/420.04; 455/575.1, 575.2, 90.3, 569.1;  
128/864, 866, 867; D24/174  
See application file for complete search history.

(56) **References Cited**

**U.S. PATENT DOCUMENTS**

- D375,959 S \* 11/1996 Davis et al. .... D14/223
- D510,085 S \* 9/2005 Suzuki ..... D14/223
- D520,496 S \* 5/2006 Gwee ..... D14/223
- 7,089,042 B2 \* 8/2006 Bodley ..... 455/569.1
- D542,267 S \* 5/2007 Cha et al. .... D14/206
- D556,735 S \* 12/2007 Yeo ..... D14/206

- D557,255 S \* 12/2007 Shintani ..... D14/206
- D593,075 S \* 5/2009 Williams et al. .... D14/223
- D597,084 S \* 7/2009 Gondo ..... D14/223
- D603,847 S \* 11/2009 Chung ..... D14/223
- 7,708,110 B2 \* 5/2010 Leong et al. .... 181/135
- D617,780 S \* 6/2010 Jaakkola et al. .... D14/223
- D624,529 S \* 9/2010 Huang ..... D14/223
- D625,297 S \* 10/2010 Tseng et al. .... D14/223
- 7,841,446 B2 \* 11/2010 Leong et al. .... 181/135

\* cited by examiner

*Primary Examiner* — Paula Greene

(74) *Attorney, Agent, or Firm* — Osha Liang LLP

(57) **CLAIM**

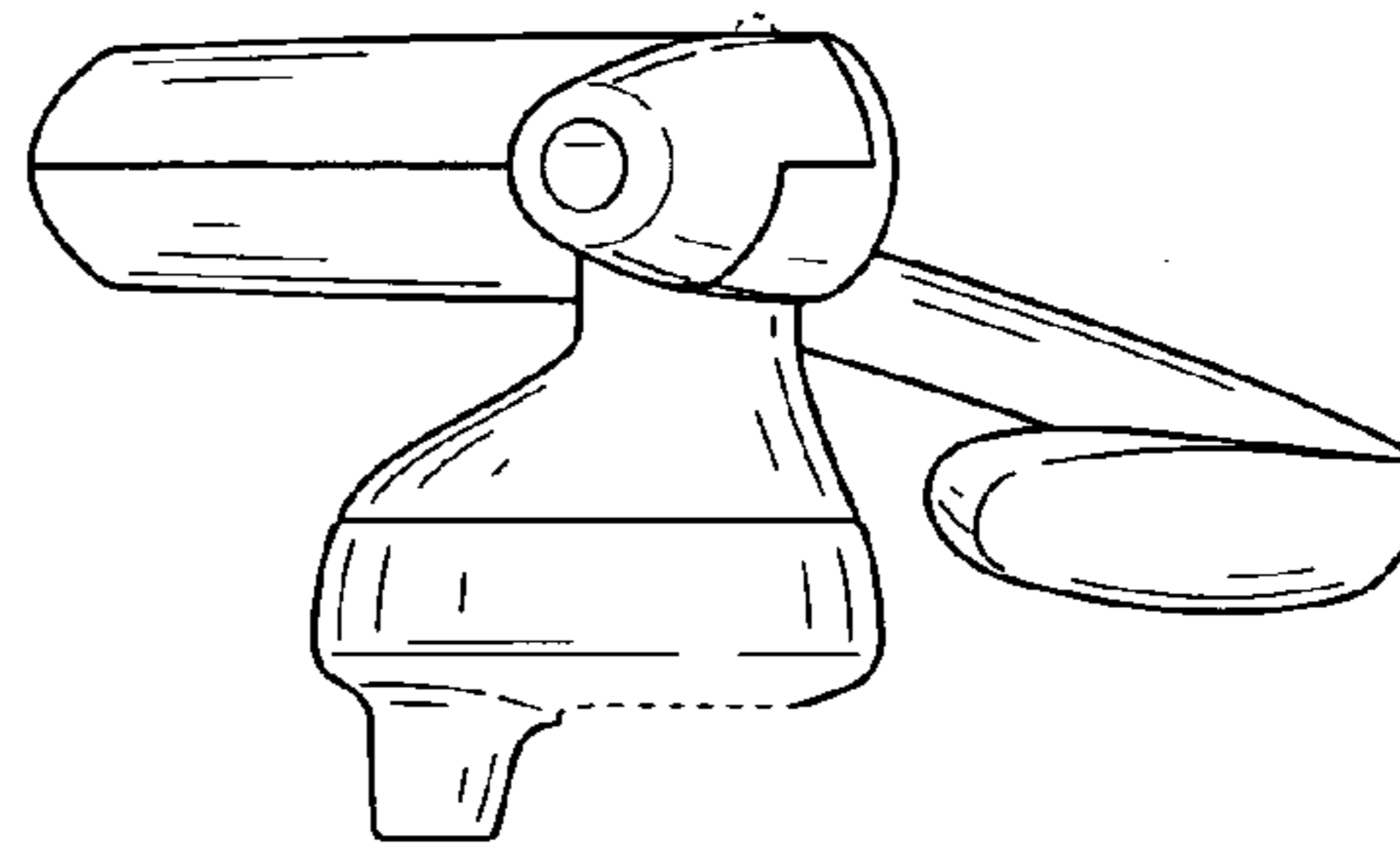
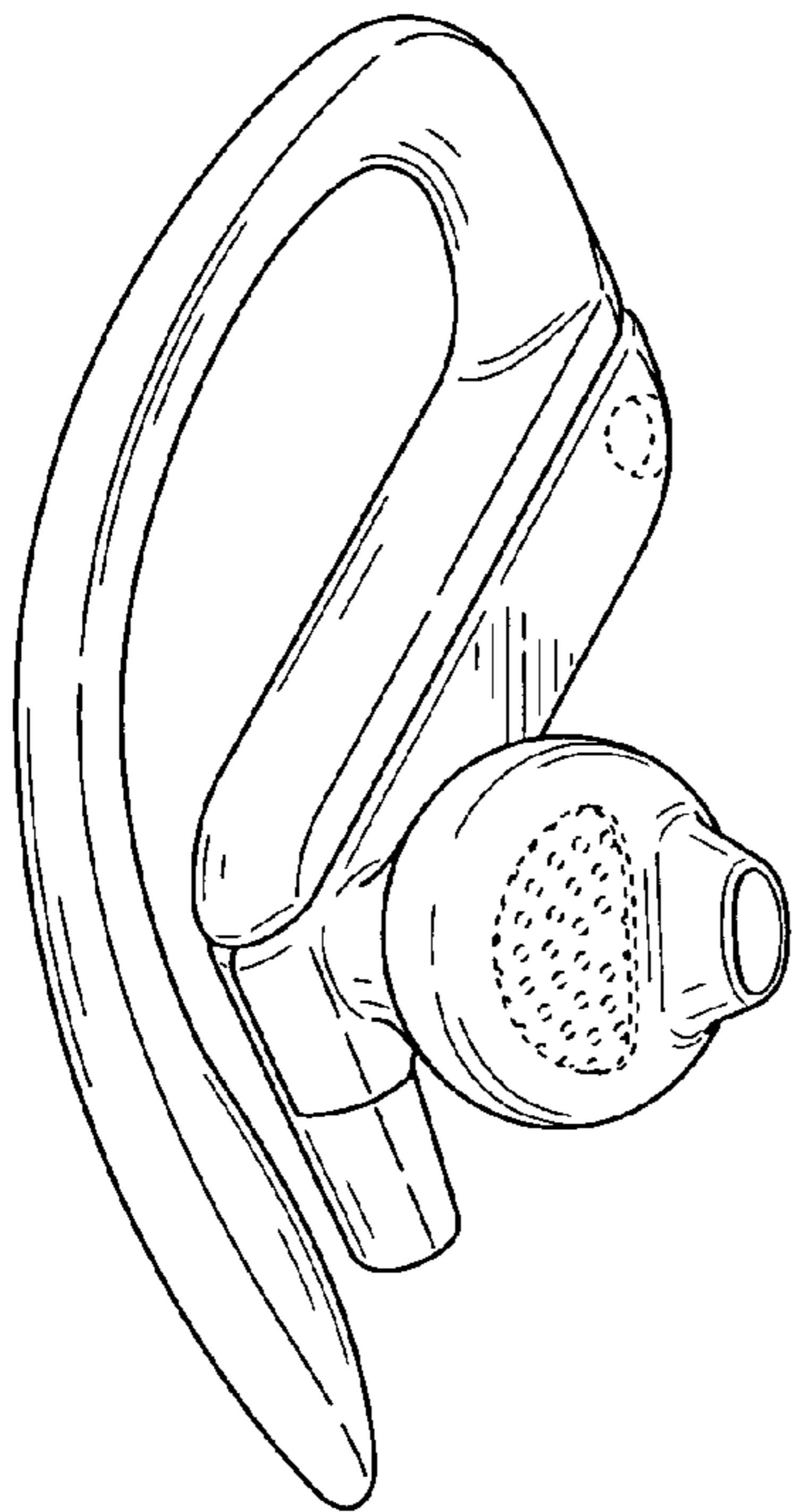
The ornamental design for earphones, as shown and described.

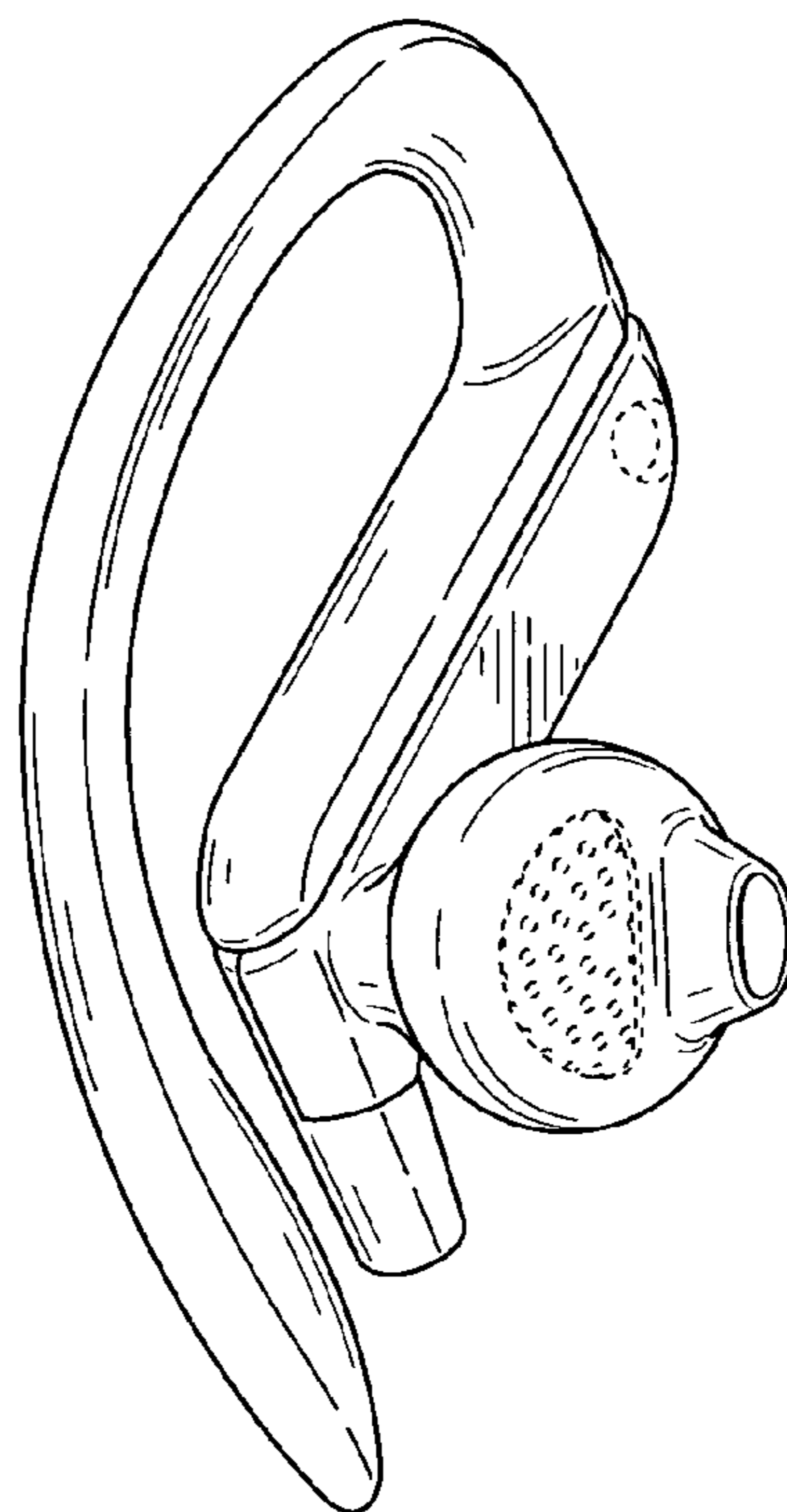
**DESCRIPTION**

FIG. 1 is a perspective view of the rear, right side and top plan of earphones showing our new design;  
FIG. 2 is a front view thereof;  
FIG. 3 is a rear view thereof;  
FIG. 4 is a top plan view thereof;  
FIG. 5 is a bottom view thereof;  
FIG. 6 is a left side view thereof;  
FIG. 7 is a right side view thereof; and,  
FIG. 8 is a reference view with ear clip part in moved condition thereof.

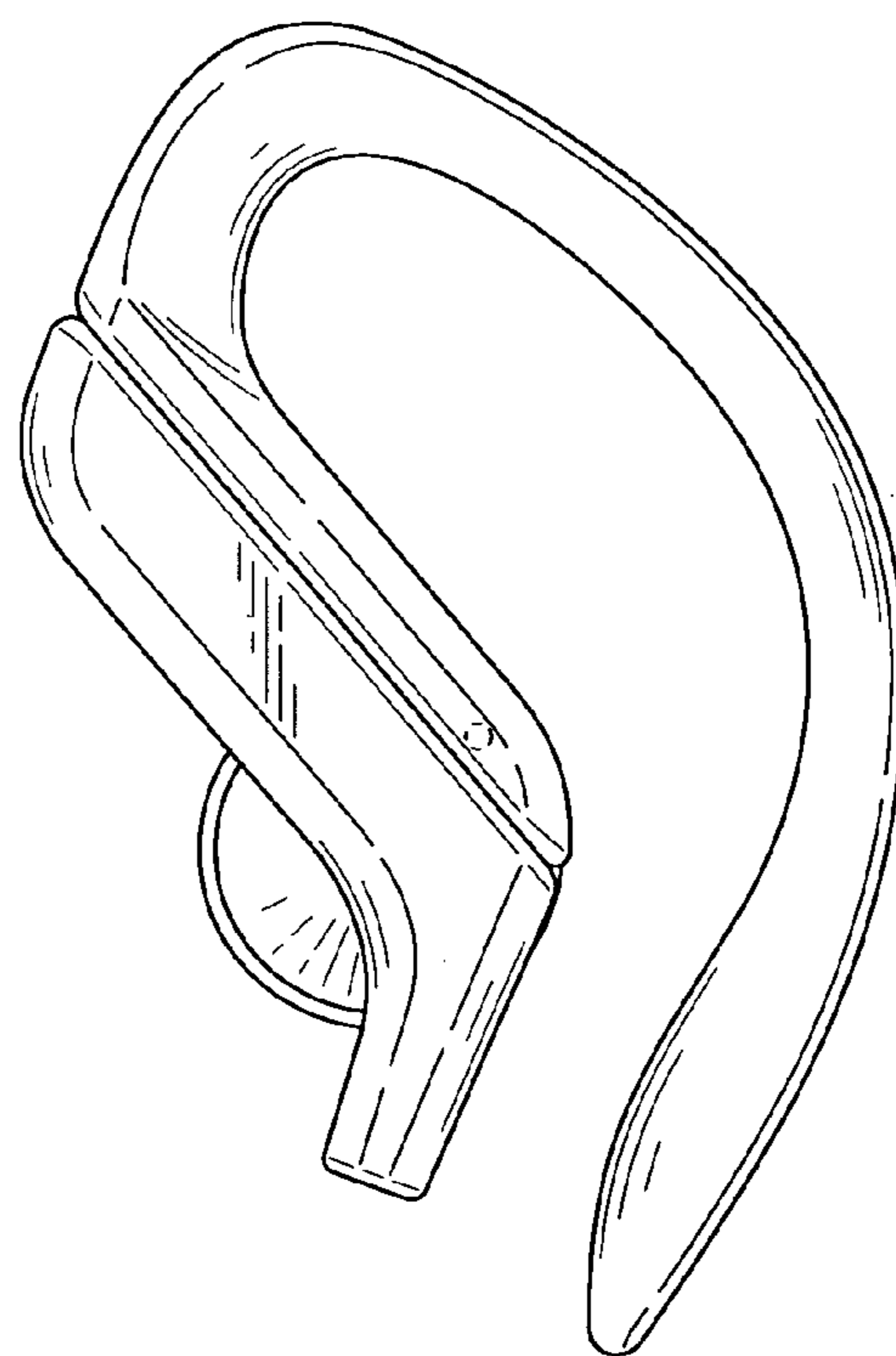
The broken lines represent the portions of the design that form no part of the claim.

**1 Claim, 3 Drawing Sheets**





**FIG. 1**



**FIG. 2**

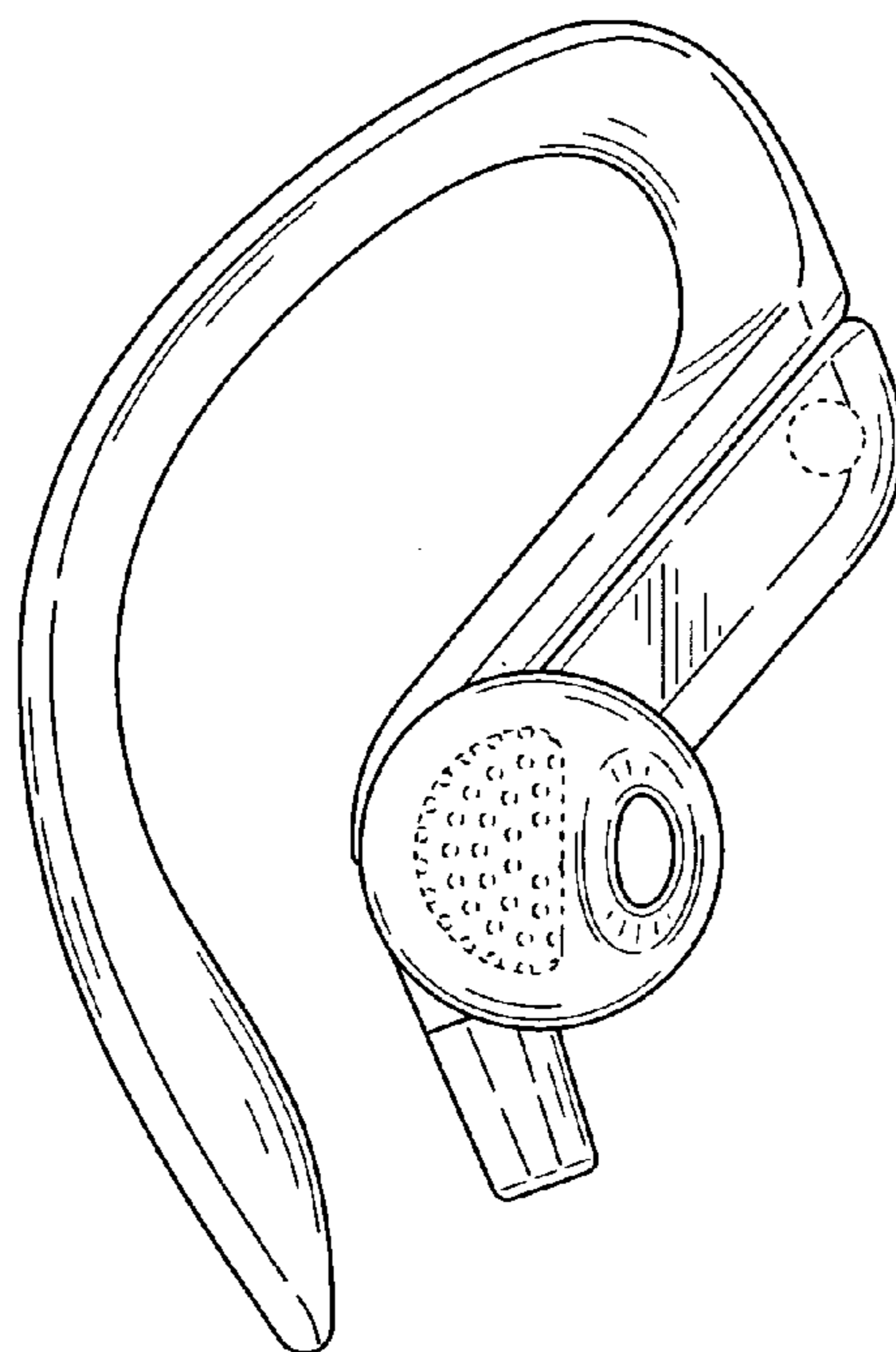


FIG. 3

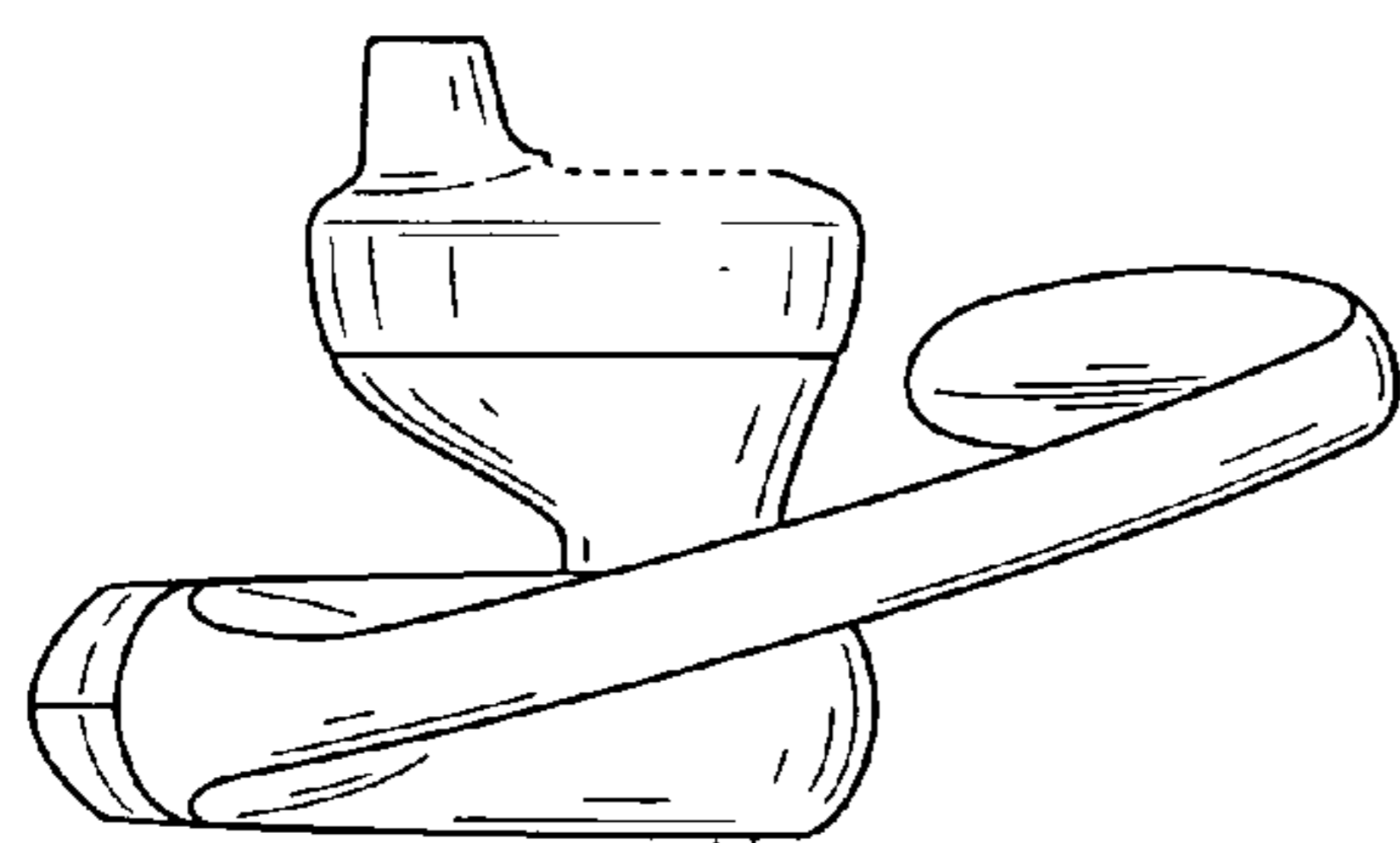


FIG. 4

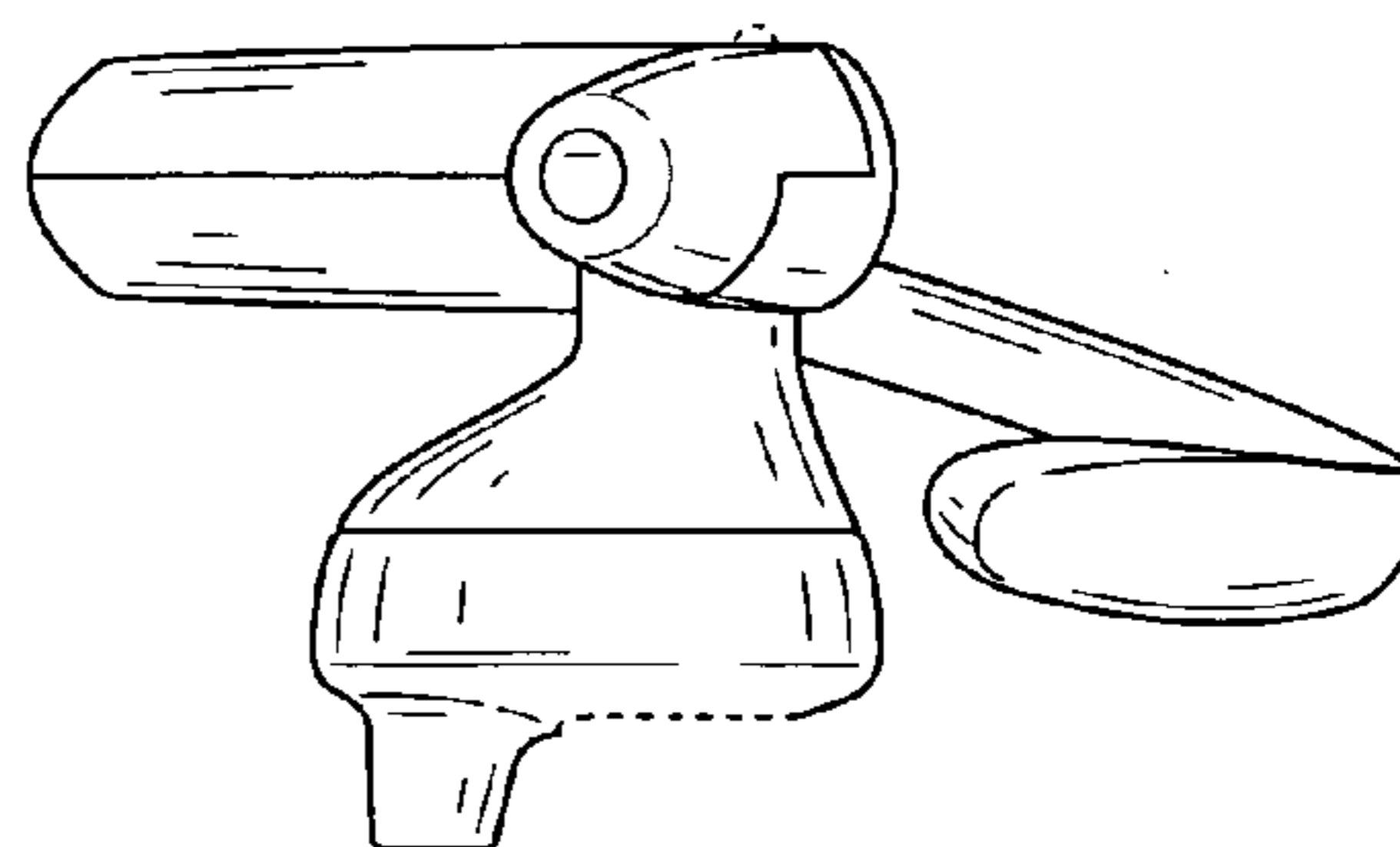
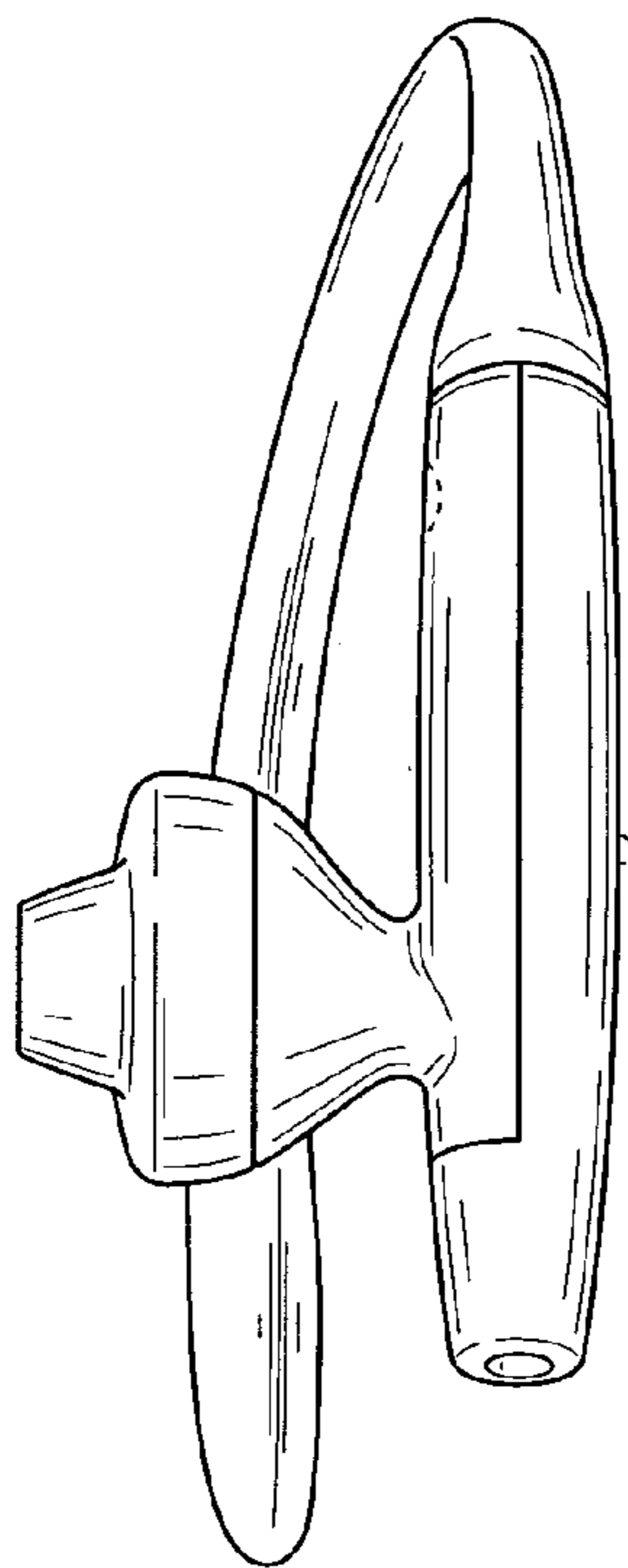
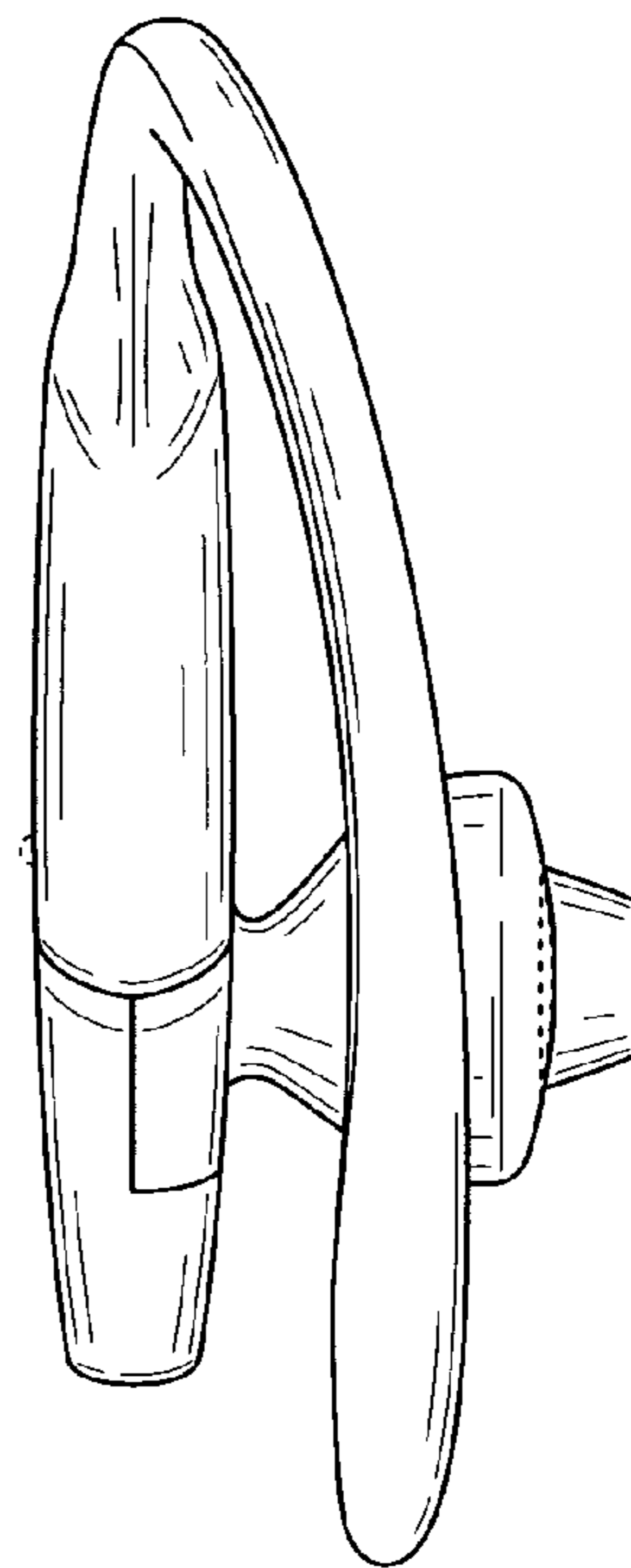


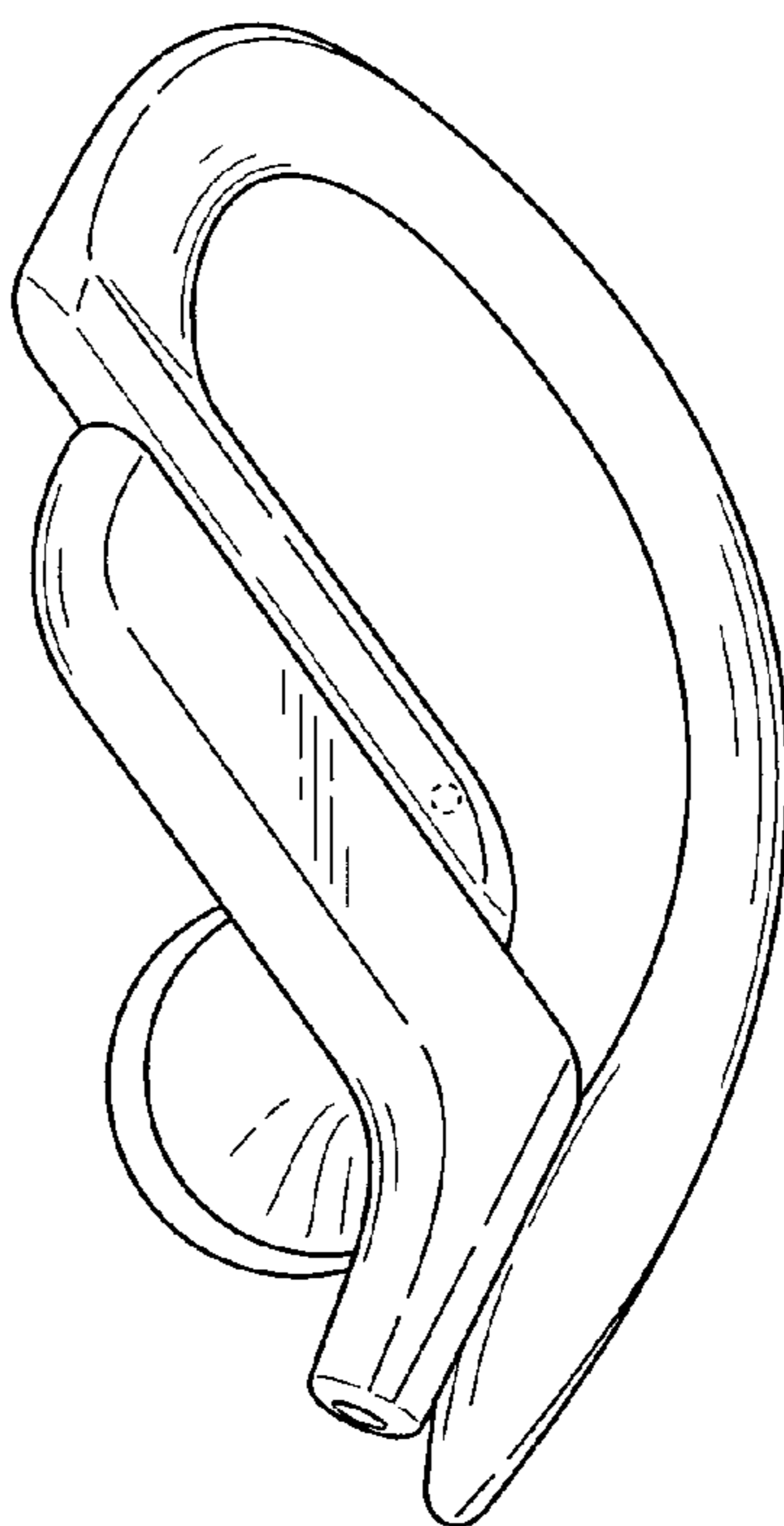
FIG. 5



**FIG. 6**



**FIG. 7**



**FIG. 8**