

US00D635958S

(12) **United States Design Patent**
Ando et al.

(10) **Patent No.:** **US D635,958 S**
(45) **Date of Patent:** **** Apr. 12, 2011**

(54) **HEADPHONE**

(75) Inventors: **Kozo Ando**, Tokyo (JP); **Wataru Sakuma**, Kanagawa (JP)

(73) Assignee: **Kabushiki Kaisha Audio-Technica**, Tokyo (JP)

(**) Term: **14 Years**

(21) Appl. No.: **29/358,160**

(22) Filed: **Mar. 23, 2010**

(30) **Foreign Application Priority Data**

Oct. 5, 2009 (JP) 2009-023166

(51) **LOC (9) Cl.** **14-01**

(52) **U.S. Cl.** **D14/205**

(58) **Field of Classification Search** D14/205,
D14/206, 223; 379/430, 431, 433; 181/129,
181/130; 381/370, 375, 374, 376, 377, 378,
381/379, 380, 381; D29/112; 2/209

See application file for complete search history.

(56) **References Cited**

U.S. PATENT DOCUMENTS

4,471,496 A * 9/1984 Gardner et al. 2/209
D302,429 S * 7/1989 Leer D14/137
4,999,846 A * 3/1991 Ball et al. 2/5
5,793,878 A * 8/1998 Chang 381/370
D398,309 S * 9/1998 Bergin et al. D14/206
D457,512 S * 5/2002 Yoneda D14/205

D510,335 S * 10/2005 Suzuki D14/205
D563,382 S * 3/2008 Wikel D14/205
D573,581 S * 7/2008 Gondo et al. D14/205
D576,604 S * 9/2008 Suzuki D14/205
D581,394 S * 11/2008 Lee D14/205
D585,871 S * 2/2009 Lee D14/205
D585,872 S * 2/2009 Lee D14/205
D588,098 S * 3/2009 Kurihara D14/205
D594,847 S * 6/2009 Suzuki D14/205
D597,070 S * 7/2009 Zheng D14/205
D604,266 S * 11/2009 Milde et al. D14/205
D613,266 S * 4/2010 Barry et al. D14/205
D620,474 S * 7/2010 Komiyama D14/205

* cited by examiner

Primary Examiner — Paula Greene

(74) *Attorney, Agent, or Firm* — Whitham Curtis
Christofferson & Cook, PC

(57) **CLAIM**

We claim the ornamental design for the headphone, as shown and described.

DESCRIPTION

FIG. 1 is a front elevational view of the headphone;
FIG. 2 is a rear elevational view of the headphone;
FIG. 3 is a top plan view of the headphone;
FIG. 4 is a bottom plan view of the headphone;
FIG. 5 is a right side elevational view of the headphone;
FIG. 6 is a left side elevational view of the headphone; and,
FIG. 7 is a perspective view of the headphone, the opposite perspective view is a mirror image thereof.

1 Claim, 7 Drawing Sheets

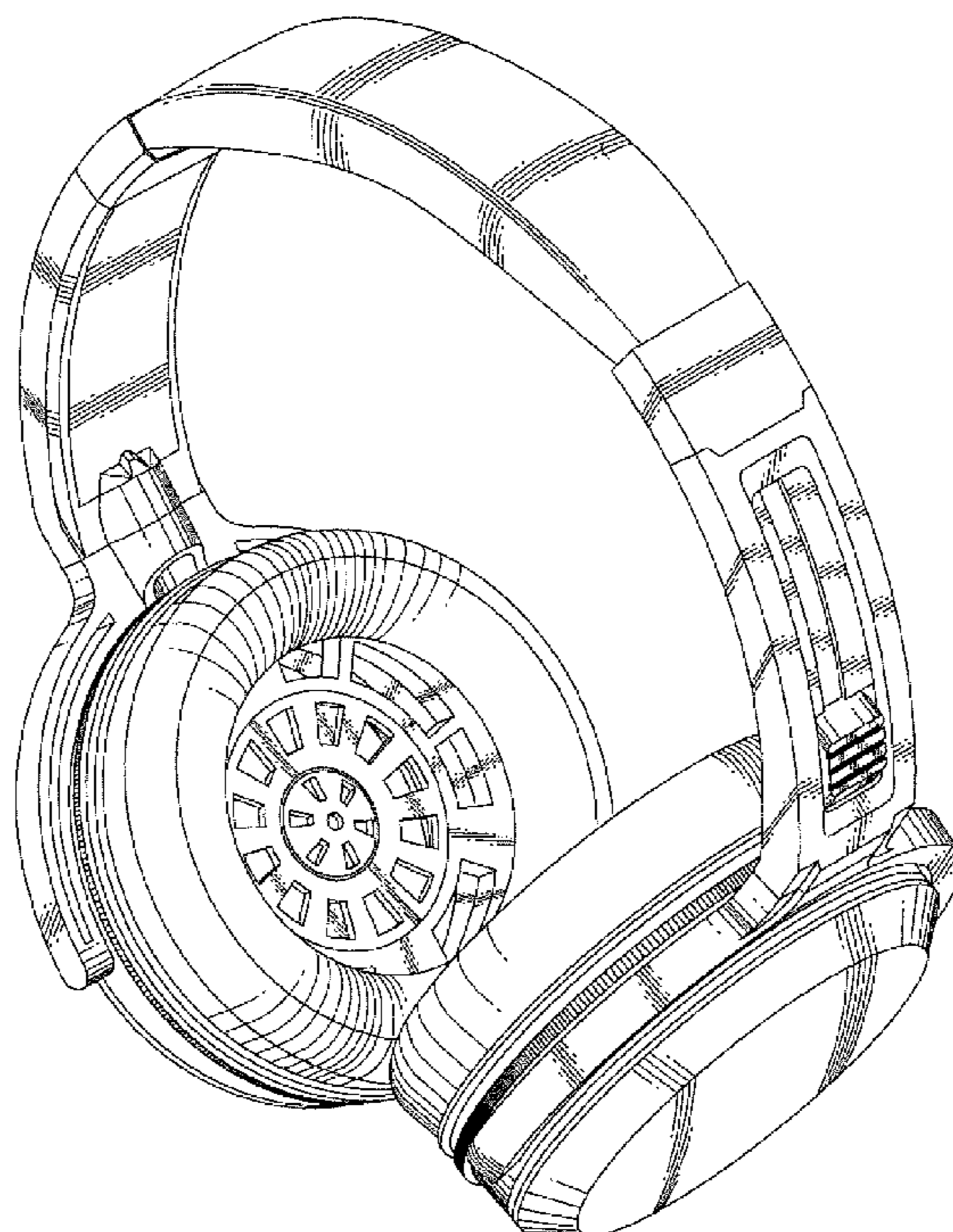


FIGURE 1



FIGURE 2



FIGURE 3

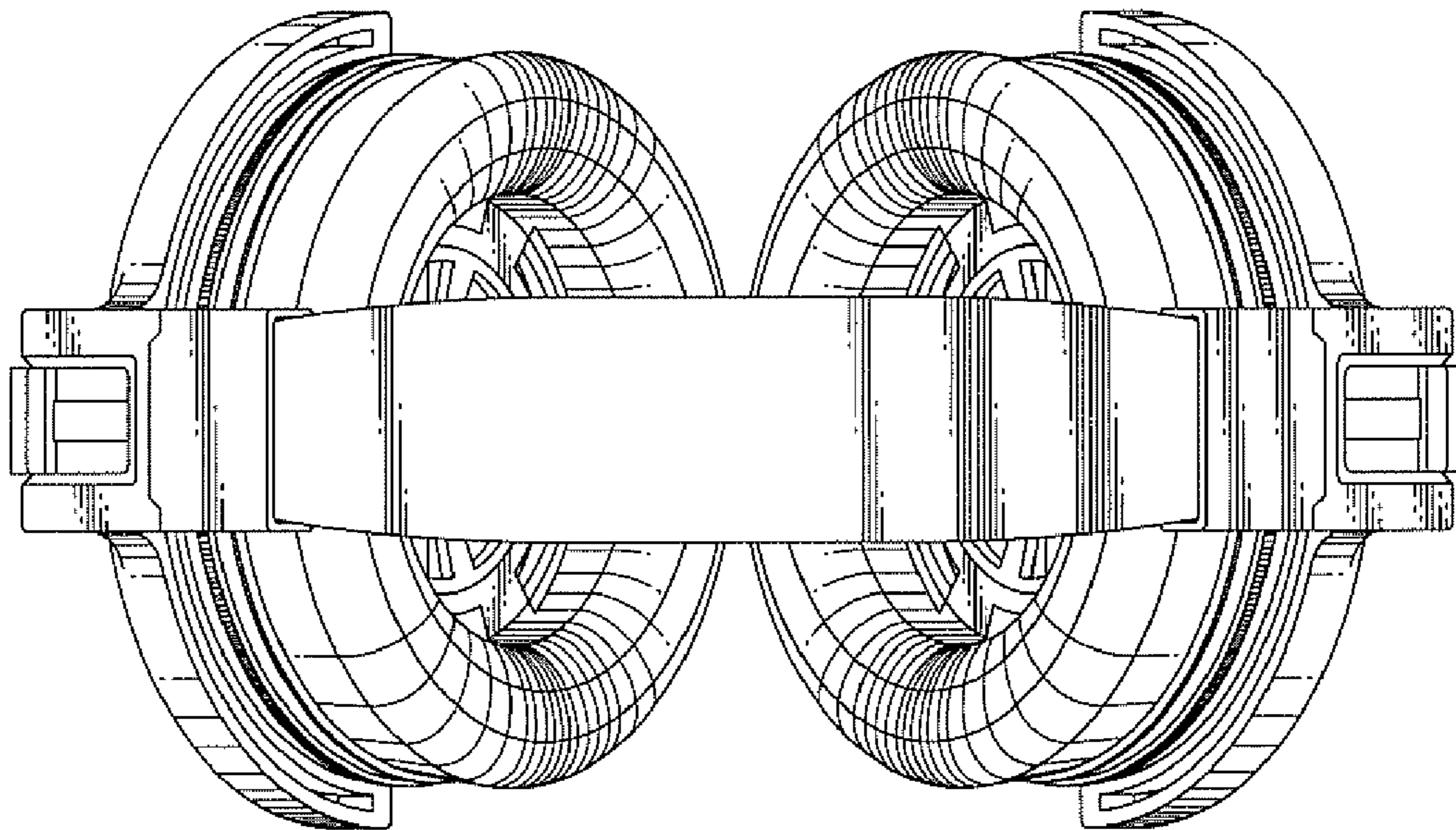


FIGURE 4

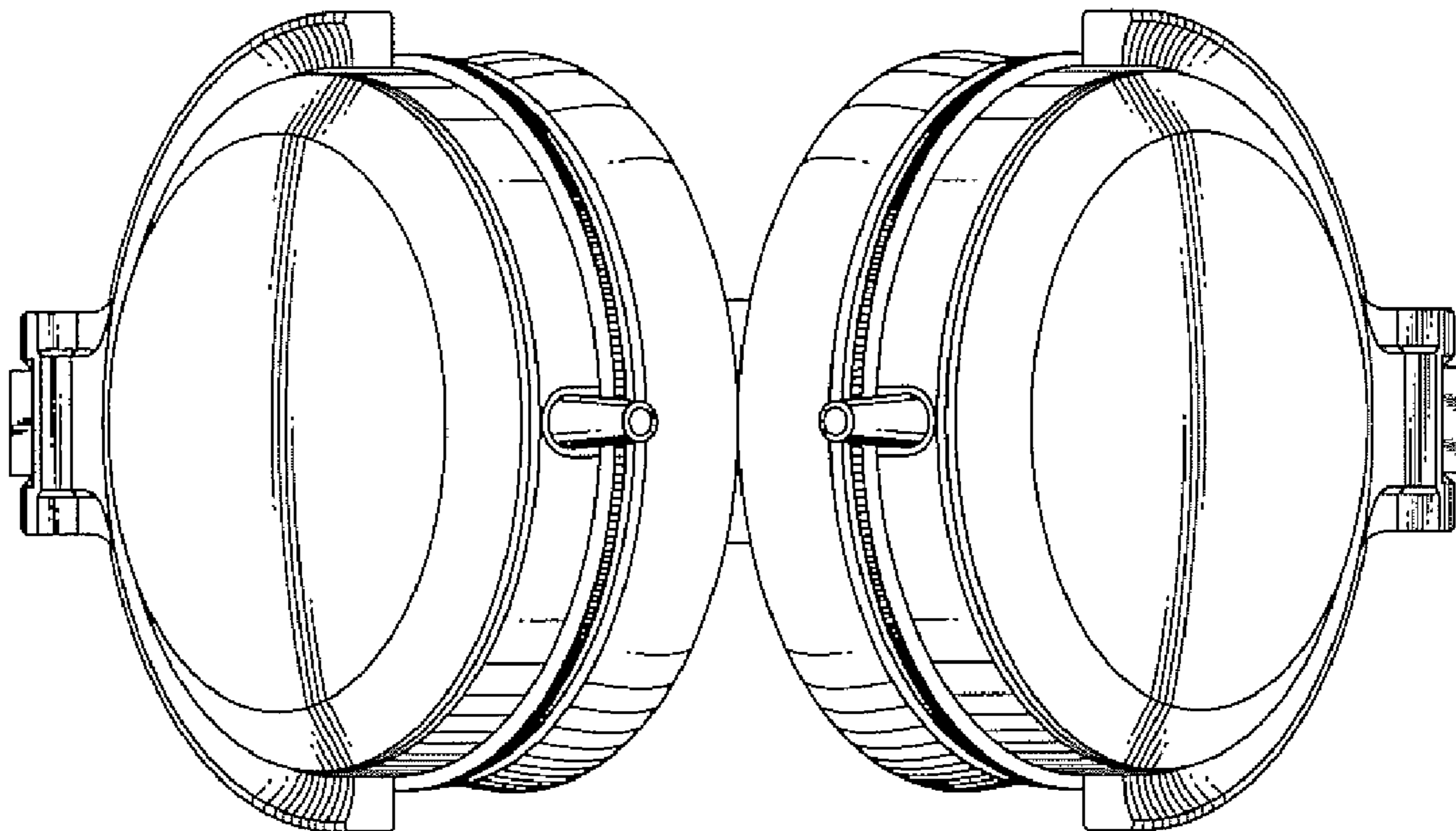


FIGURE 5

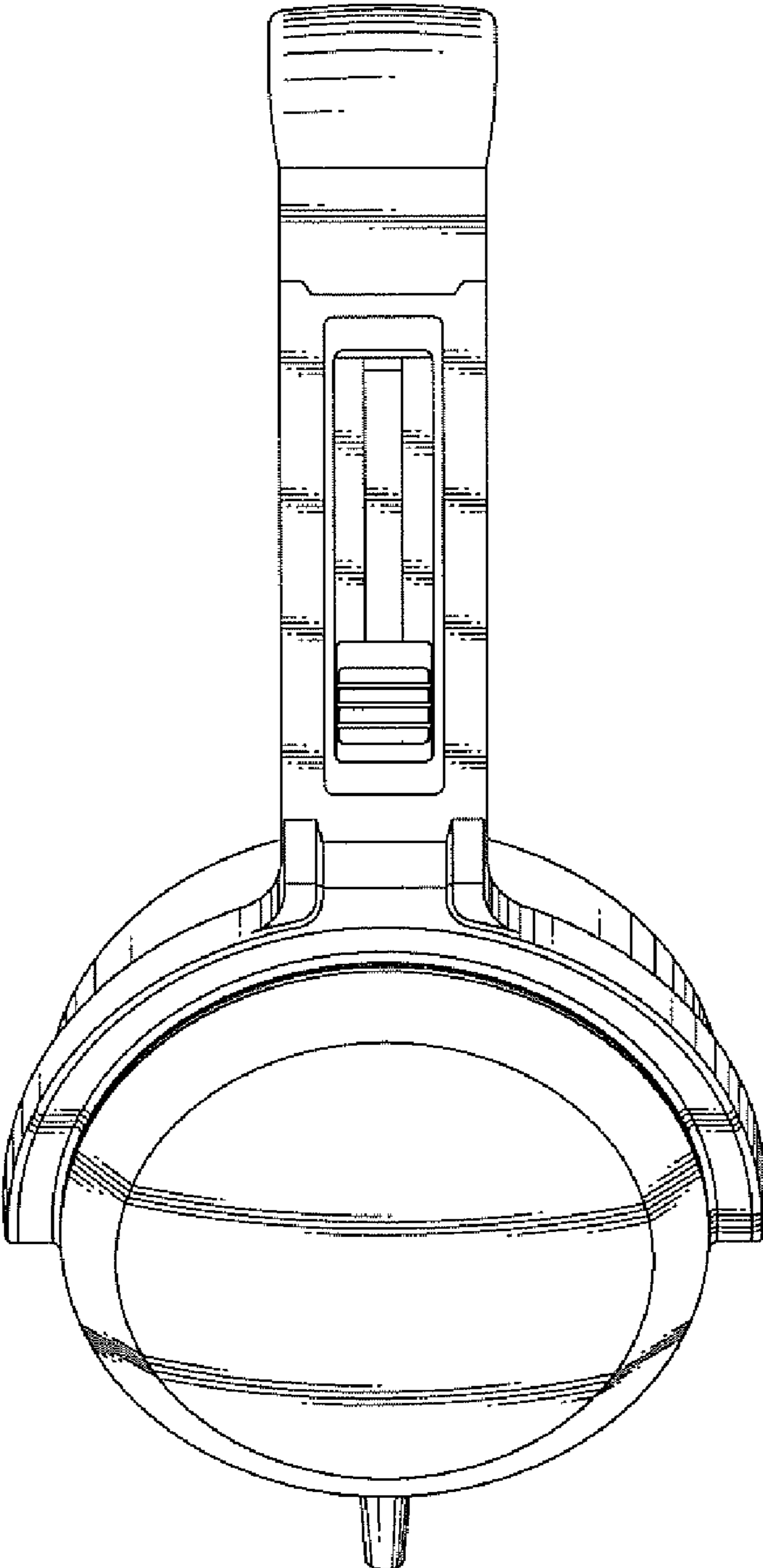


FIGURE 6

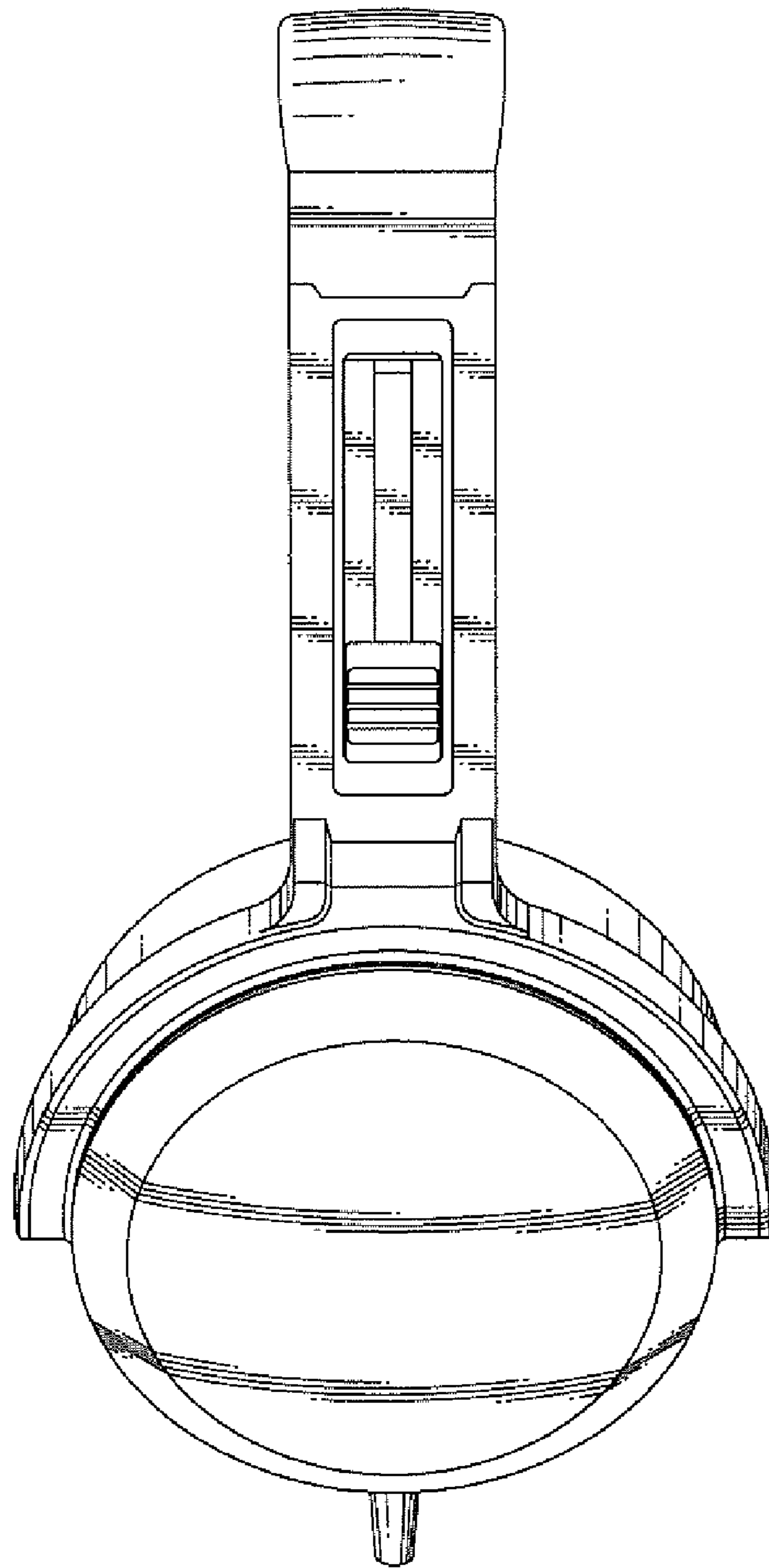


FIGURE 7

