



US00D635957S

(12) **United States Design Patent**
Hirano et al.

(10) **Patent No.:** **US D635,957 S**

(45) **Date of Patent:** **** Apr. 12, 2011**

(54) **HEADPHONE**

(75) Inventors: **Shinpei Hirano**, Tokyo (JP); **Rui Morisawa**, Tokyo (JP)

(73) Assignee: **Sony Corporation**, Tokyo (JP)

(**) Term: **14 Years**

(21) Appl. No.: **29/347,588**

(22) Filed: **Mar. 10, 2010**

(30) **Foreign Application Priority Data**

Oct. 28, 2009 (JP) D2009-025259

(51) **LOC (9) Cl.** **14-01**

(52) **U.S. Cl.** **D14/205**

(58) **Field of Classification Search** D14/205,
D14/206, 223, 192; 381/380, 381, 379, 370,
381/374; 181/129, 130, 135; D29/112; 2/209,
2/423, 425; 128/866; 24/163 R, 171; 379/430,
379/431

See application file for complete search history.

(56) **References Cited**

U.S. PATENT DOCUMENTS

529,176	A *	11/1894	Kleinert	2/209
1,149,806	A *	8/1915	Basch	2/209
2,946,860	A *	7/1960	Jansen et al.	181/129
3,050,739	A *	8/1962	Fogarty	2/209
3,856,007	A *	12/1974	Leight	128/866

3,943,574	A *	3/1976	Yamaguchi et al.	2/9
5,117,464	A *	5/1992	Jones et al.	381/379
D388,436	S	12/1997	Segan et al.		
D435,249	S	12/2000	Yasutomi		
D452,492	S *	12/2001	Mori	D14/223
6,724,906	B2 *	4/2004	Naksen et al.	381/379
D508,483	S	8/2005	Suzuki		
D518,474	S	4/2006	Suzuki		
D539,267	S	3/2007	Komiyama		
D549,688	S	8/2007	Suzuki		
D597,070	S	7/2009	Zheng		

* cited by examiner

Primary Examiner — Paula Greene

(74) *Attorney, Agent, or Firm* — Rader, Fishman & Grauer PLLC

(57) **CLAIM**

The ornamental design for a headphone, as shown and described.

DESCRIPTION

FIG. 1 is a top, front, right perspective view of a headphone showing our new design;
FIG. 2 is a front, bottom perspective view thereof;
FIG. 3 is a front elevational view thereof;
FIG. 4 is a rear elevational view thereof;
FIG. 5 is a left side elevational view thereof;
FIG. 6 is a right side elevational view thereof; and,
FIG. 7 is a bottom plan view thereof.
Portions in broken lines are for illustrative purposes only and form no part of claimed design.

1 Claim, 6 Drawing Sheets

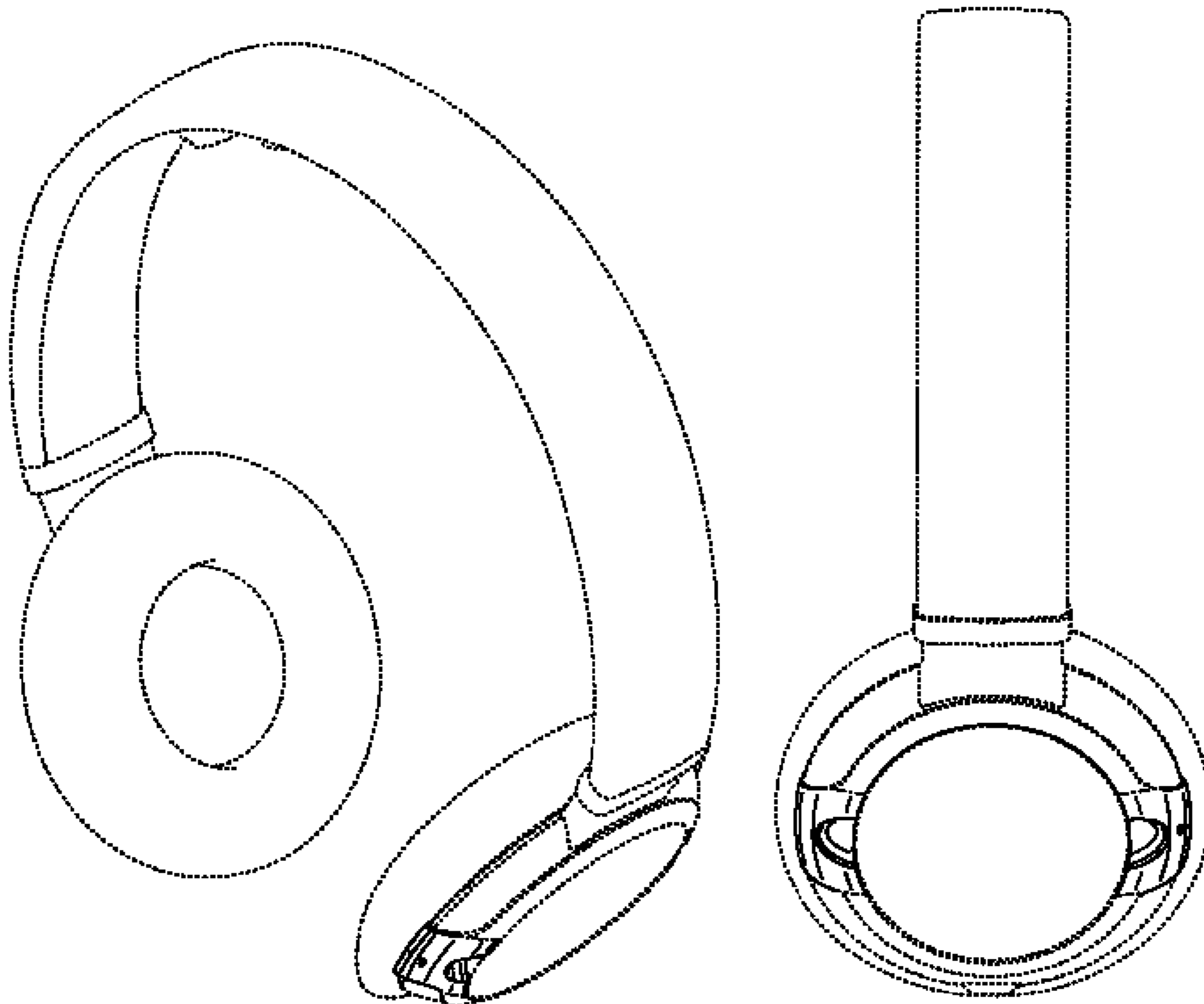


FIG.1

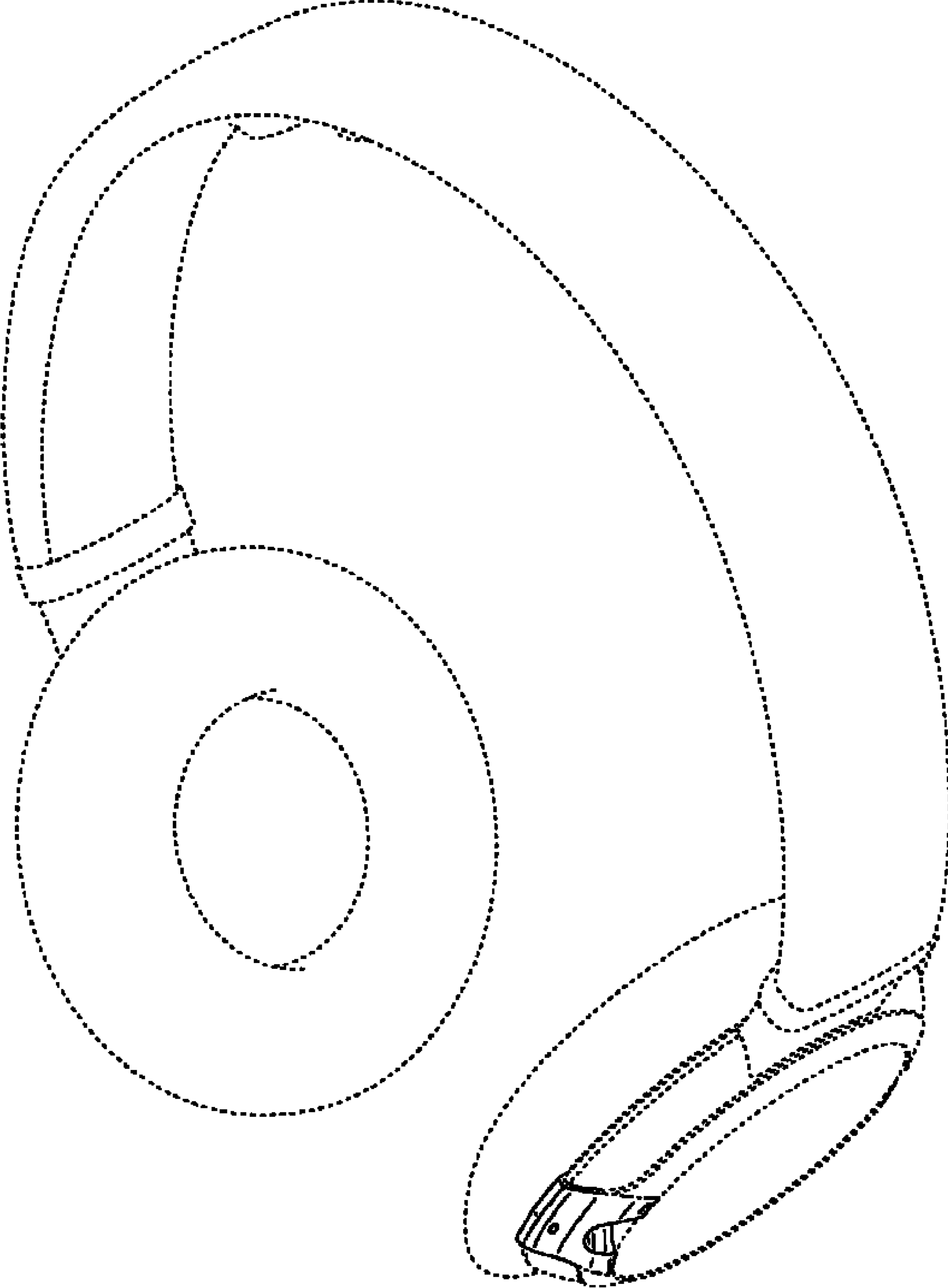


FIG.2

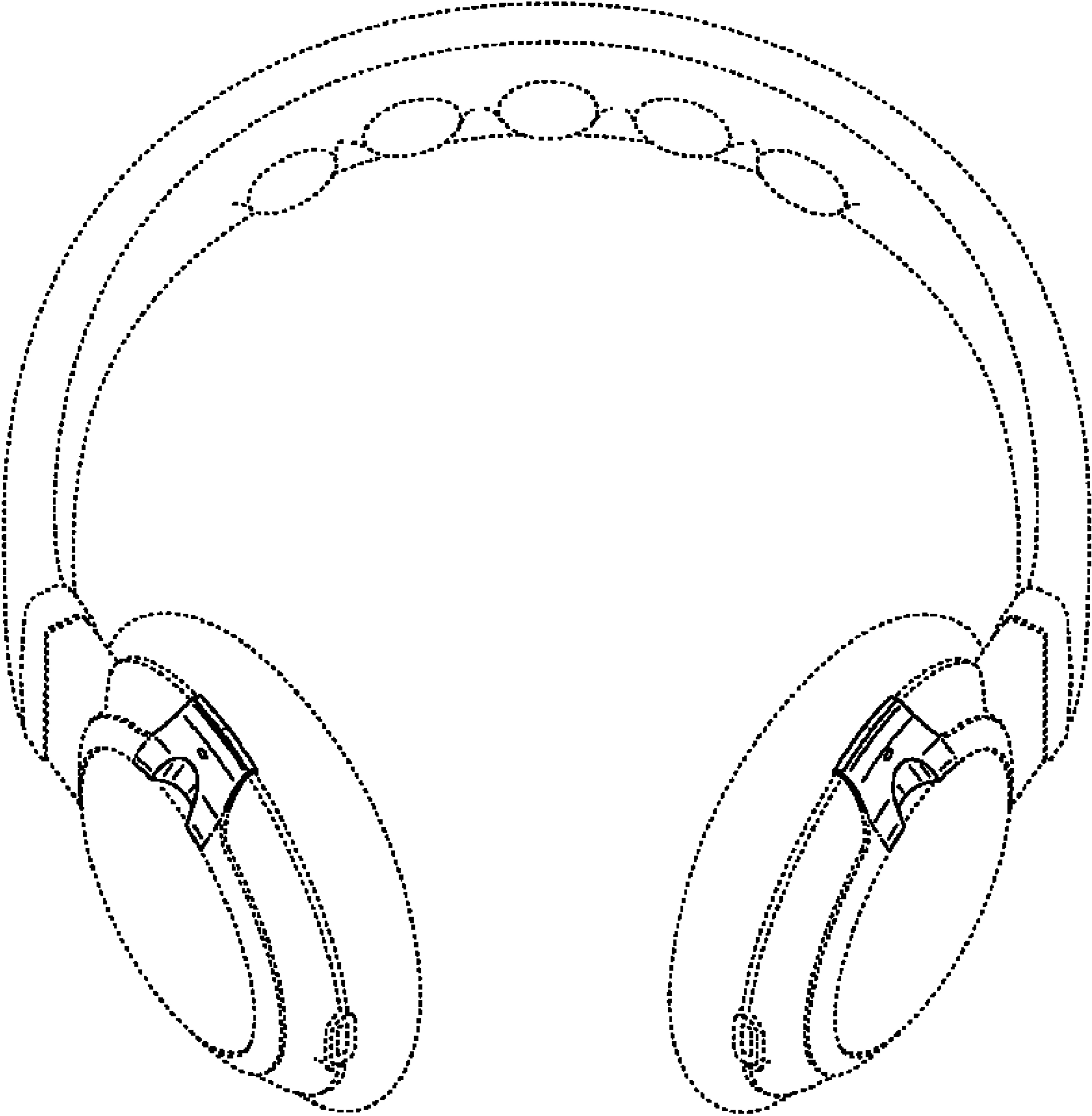


FIG.3

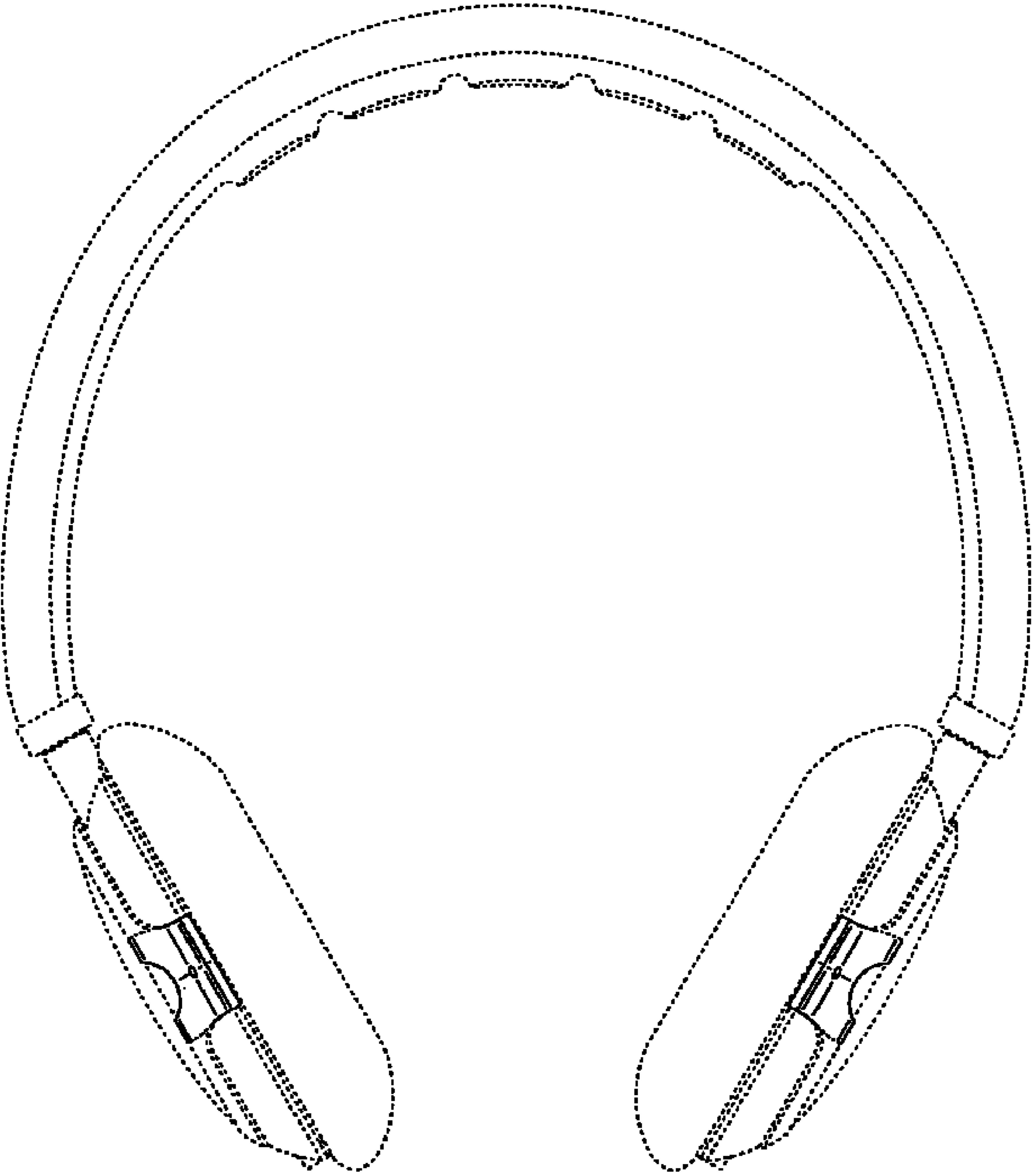


FIG.4

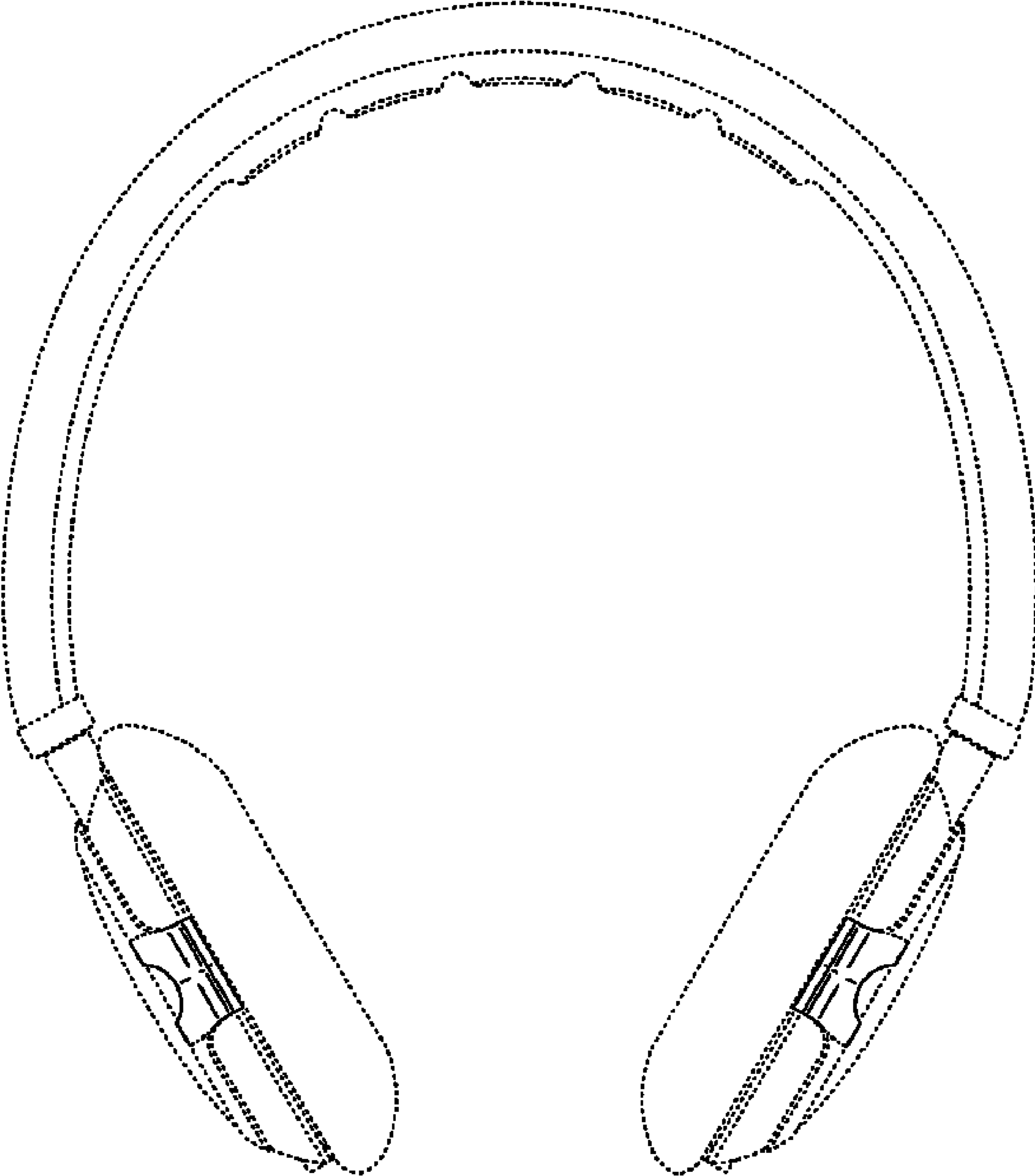


FIG.5

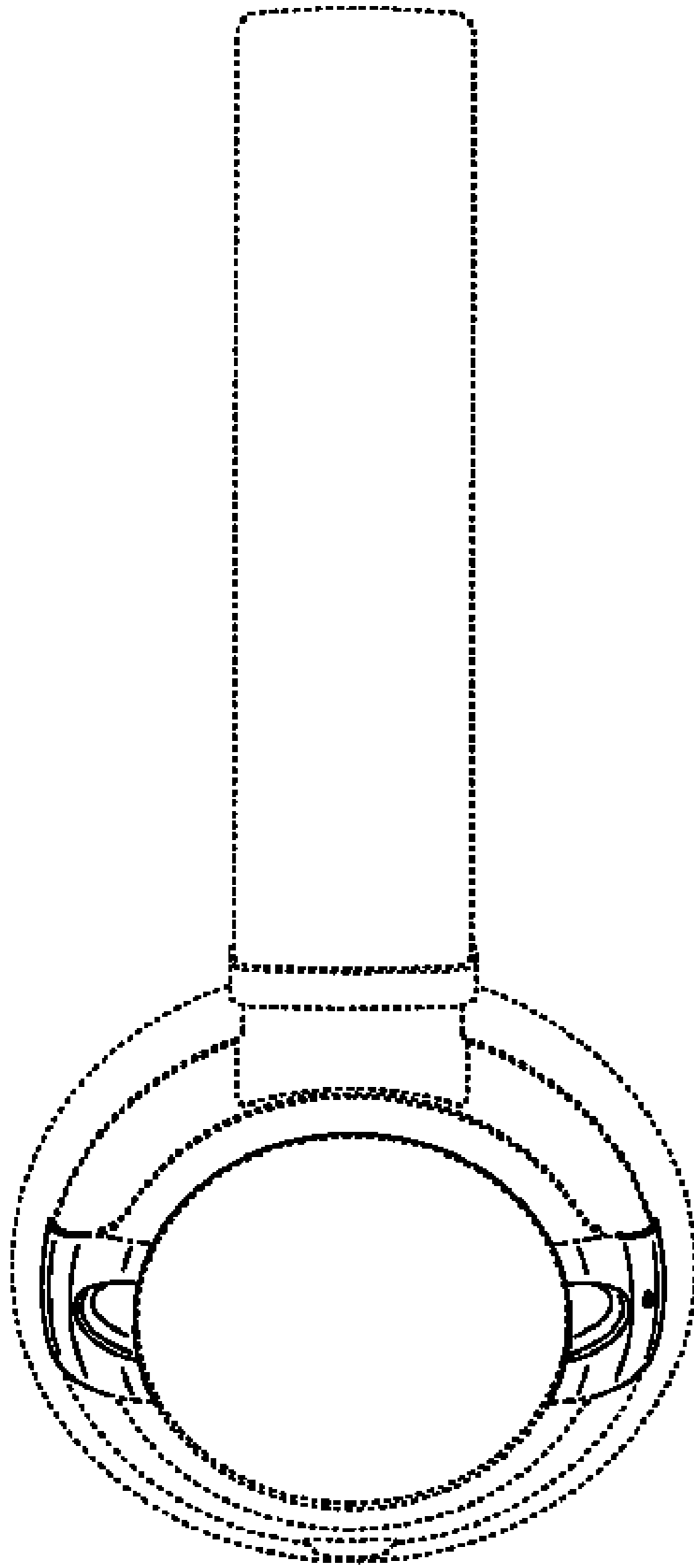


FIG.6

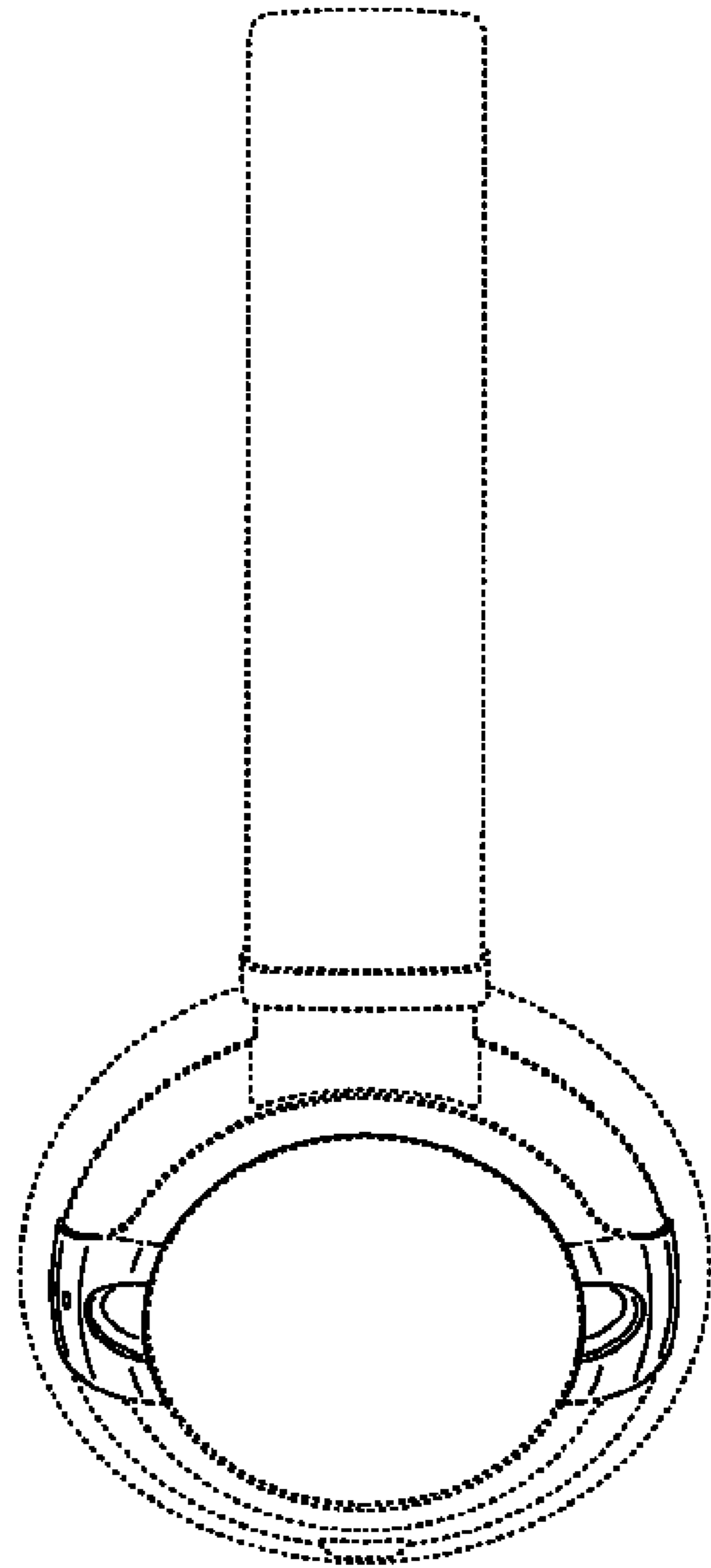


FIG.7

