



US00D635956S

(12) **United States Design Patent**
Zadro

(10) **Patent No.:** **US D635,956 S**

(45) **Date of Patent:** **** Apr. 12, 2011**

(54) **SHOWER RADIO**

(76) **Inventor:** **Zlatko Zadro**, Huntington Beach, CA
(US)

(**) **Term:** **14 Years**

(21) **Appl. No.:** **29/370,349**

(22) **Filed:** **Jul. 6, 2010**

(51) **LOC (9) Cl.** **14-03**

(52) **U.S. Cl.** **D14/197**

(58) **Field of Classification Search** D14/137,
D14/155, 156, 168, 170, 171, 188, 189, 193-198,
D14/203.1-203.8, 204, 208, 209.1, 210, 212,
D14/214, 217, 238.1, 496; D10/2; 312/7.1;
369/6-12; 370/342-344; 455/90.1-90.3,
455/344-355

See application file for complete search history.

(56) **References Cited**

U.S. PATENT DOCUMENTS

D396,722 S * 8/1998 Benedetti D14/195
D432,516 S * 10/2000 Chen D14/170
D437,842 S * 2/2001 Chen D14/194

D495,679 S * 9/2004 Chen D14/171
D503,166 S * 3/2005 Tse D14/171
D562,799 S * 2/2008 Harris D14/194
D587,240 S * 2/2009 Zadro D14/189

* cited by examiner

Primary Examiner — Stella M Reid

Assistant Examiner — Keli L Hill

(74) *Attorney, Agent, or Firm* — William L. Chapin

(57) **CLAIM**

The ornamental design for a shower radio, as shown and described.

DESCRIPTION

FIG. 1 is a front perspective view of a shower radio according to the present invention.

FIG. 2 is an upper end elevation view thereof.

FIG. 3 is a lower end elevation view thereof.

FIG. 4 is a right side elevation view thereof

FIG. 5 is a left side elevation view thereof

FIG. 6 is a front elevation view thereof; and,

FIG. 7 is a rear elevation view thereof.

1 Claim, 5 Drawing Sheets

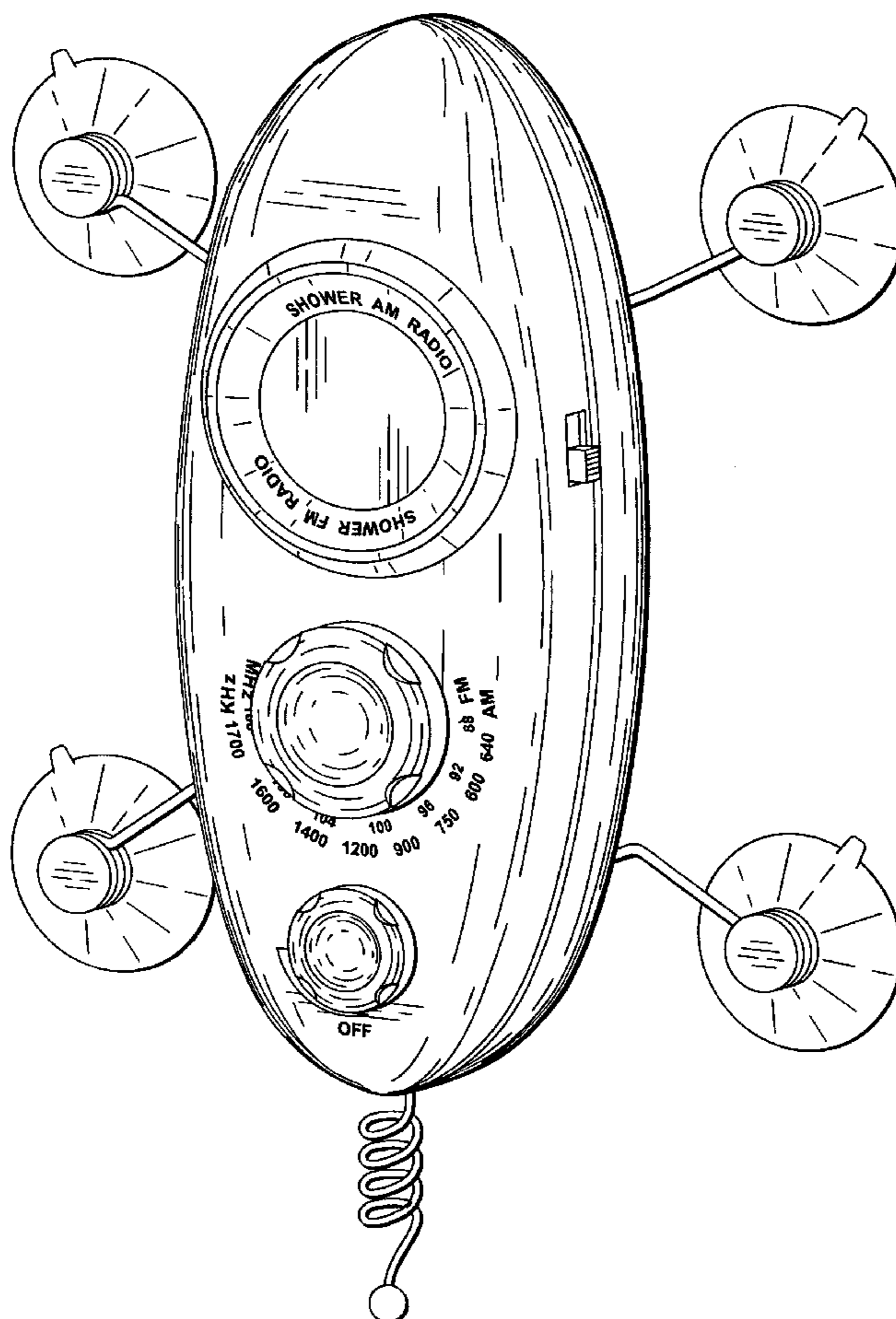


FIG. 1

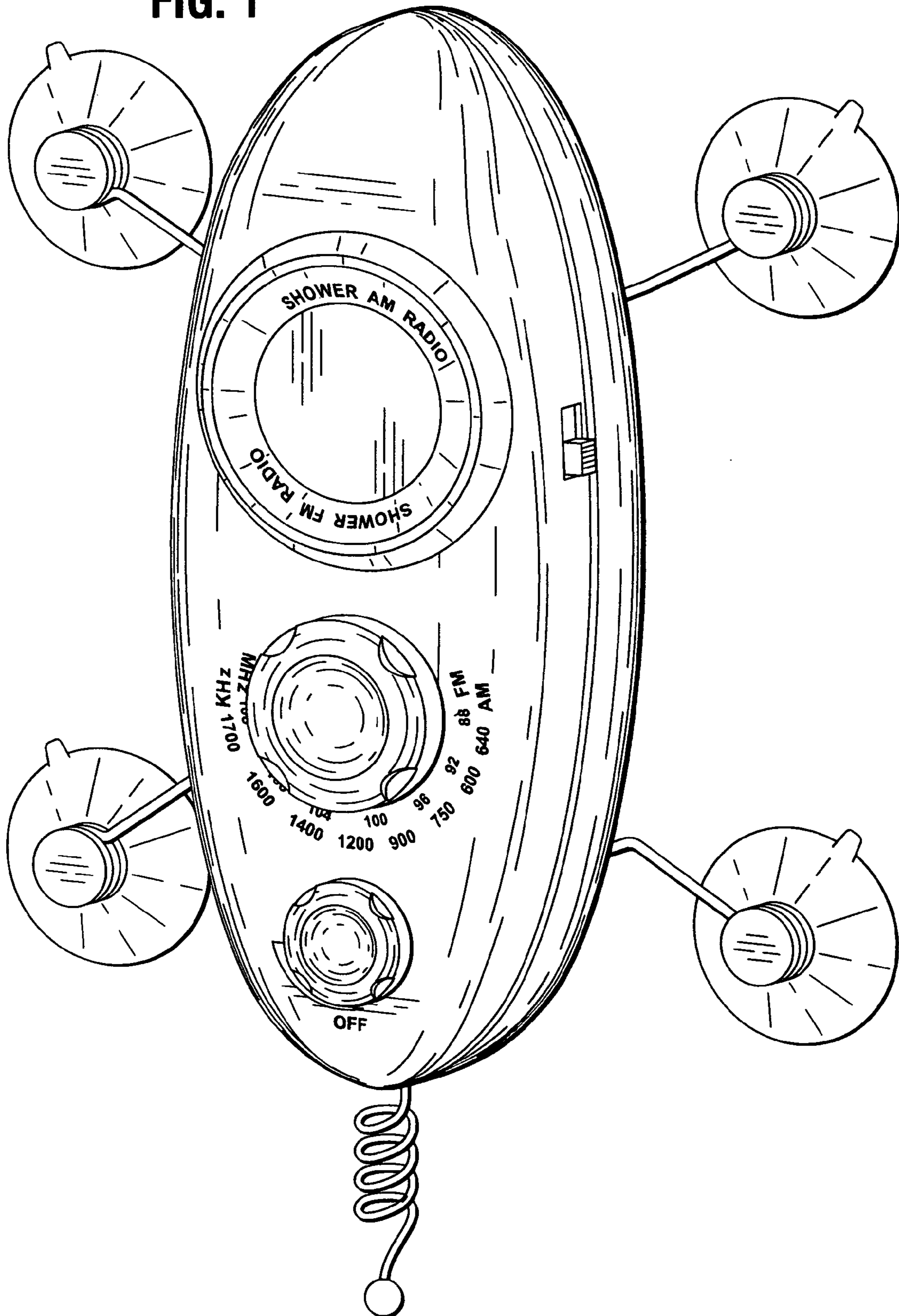


FIG. 2

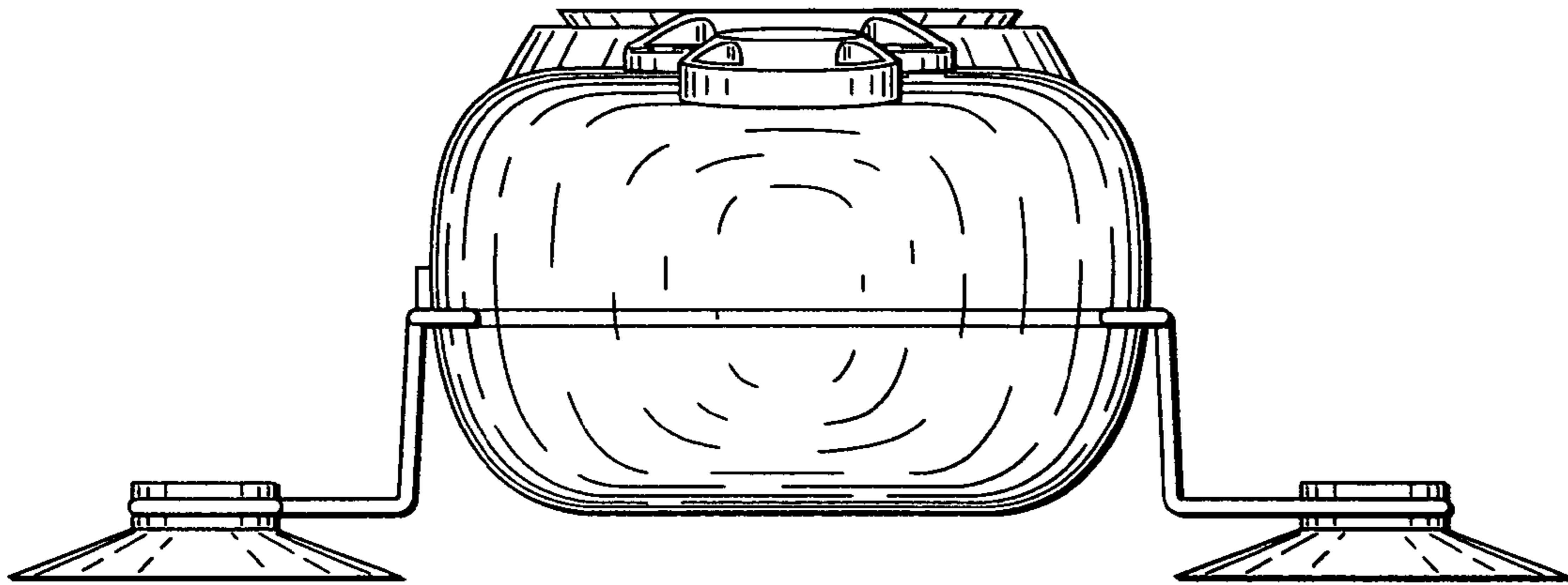


FIG. 3

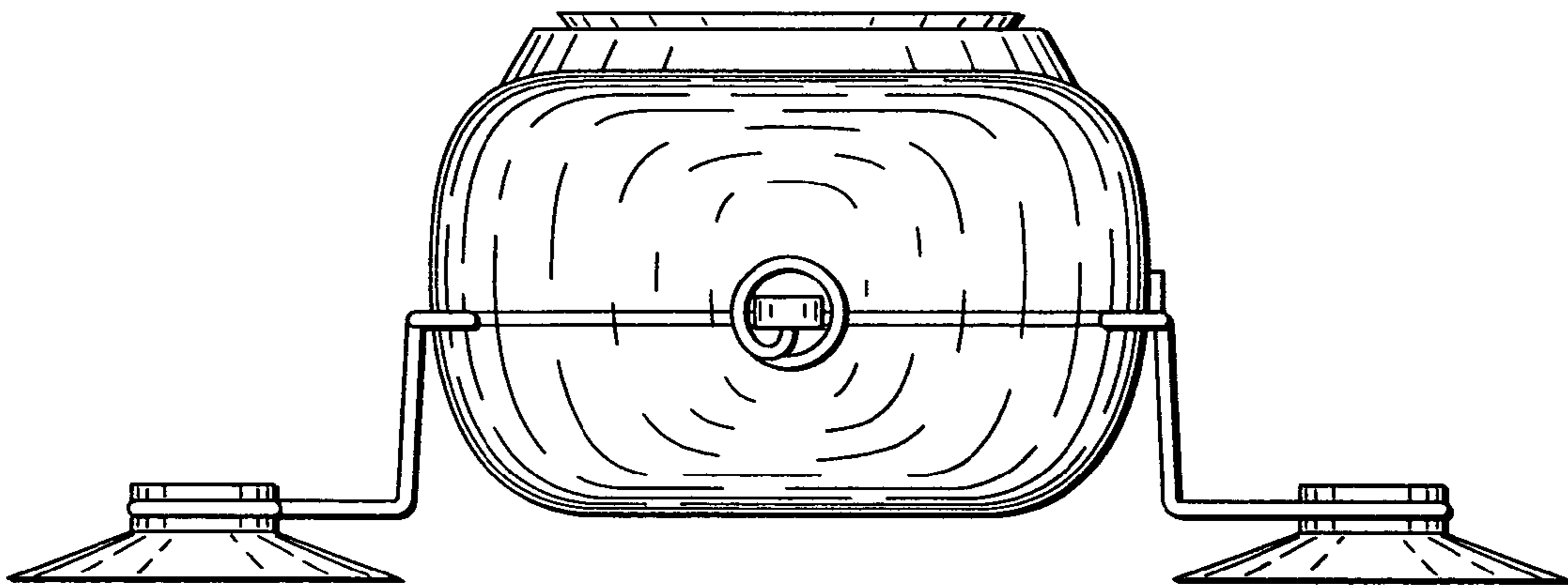


FIG. 4

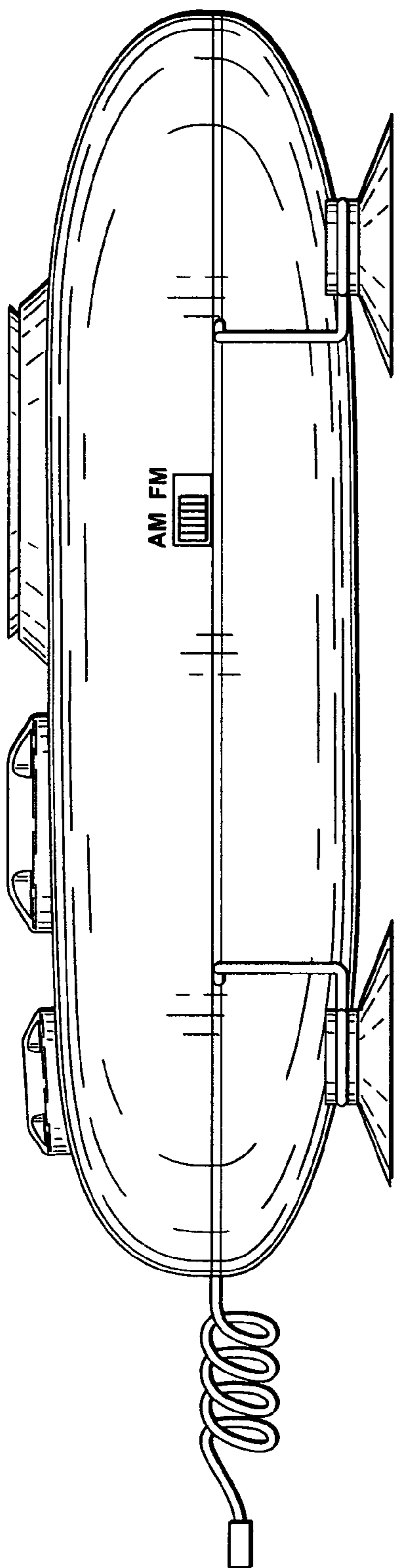


FIG. 5

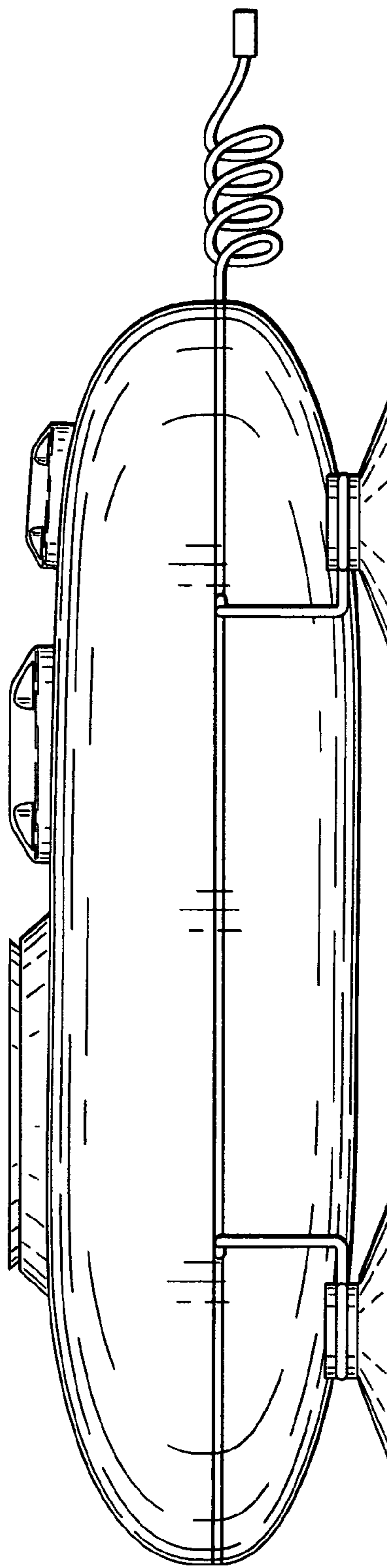


FIG. 6

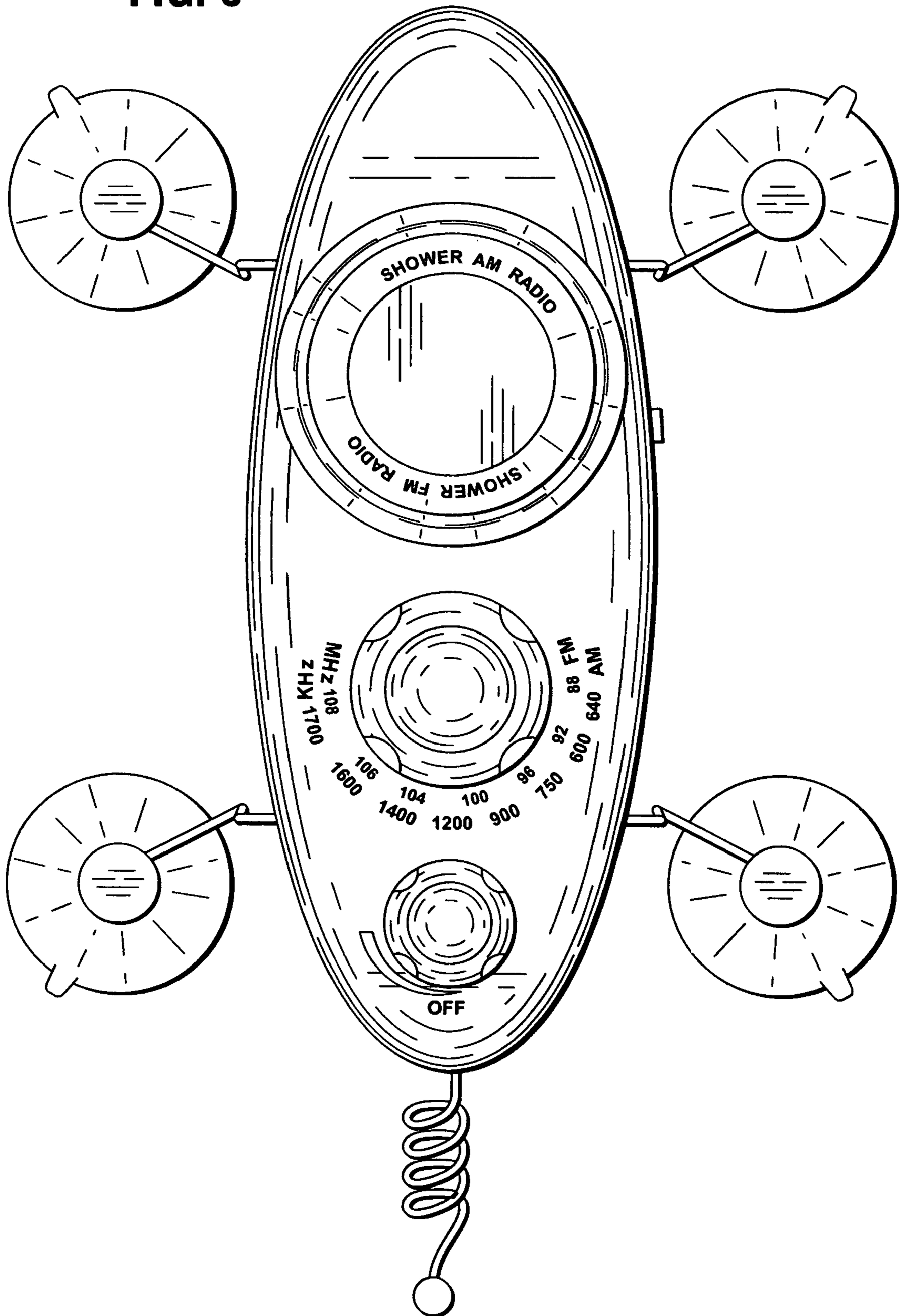


FIG. 7

