



US00D635953S

(12) **United States Design Patent**
Kim

(10) **Patent No.:** **US D635,953 S**

(45) **Date of Patent:** **** Apr. 12, 2011**

(54) **MOBILE PHONE**

(75) Inventor: **Han Kim**, Namyangju-si (KR)

(73) Assignee: **Samsung Electronics Co., Ltd.**,
Suwon-Si (KR)

(**) Term: **14 Years**

(21) Appl. No.: **29/377,665**

(22) Filed: **Oct. 25, 2010**

(30) **Foreign Application Priority Data**

Jul. 30, 2010 (KR) 30-2010-0033526

(51) **LOC (9) Cl.** **14-03**

(52) **U.S. Cl.** **D14/138 AB**

(58) **Field of Classification Search** D14/138 AA,
D14/138 AB, 138 R, 138 AD, 138 AC, 138 G,
D14/341, 345, 346, 203.4, 203.7, 203.1, 203.3,
D14/496; 455/575.3, 575.1, 575.4, 556.2;
379/433.01, 433.04, 433.1, 433.13; D21/517
See application file for complete search history.

(56) **References Cited**

U.S. PATENT DOCUMENTS

D345,732 S *	4/1994	Sakaguchi et al.	D14/345
D508,029 S *	8/2005	Lee	D14/138 AB
D560,637 S *	1/2008	Yang et al.	D14/138 AB
D561,719 S *	2/2008	Cho et al.	D14/138 AB
D571,345 S *	6/2008	Kim et al.	D14/138 AB
D573,575 S *	7/2008	Song et al.	D14/138 AB
D576,600 S *	9/2008	Kim et al.	D14/138 AB
D578,979 S *	10/2008	Choi et al.	D14/138 AB
D578,988 S *	10/2008	Chung et al.	D14/138 AB
D582,381 S *	12/2008	Hong et al.	D14/138 AB
D586,309 S *	2/2009	Song et al.	D14/138 AB
D591,260 S *	4/2009	Kim et al.	D14/138 AB
D612,355 S *	3/2010	Luo	D14/138 AC
D622,255 S *	8/2010	Lee et al.	D14/138 AB

D623,622 S *	9/2010	Komiya et al.	D14/138 AB
D624,516 S *	9/2010	Hachiya	D14/138 AB
D624,896 S *	10/2010	Park et al.	D14/138 G
D626,932 S *	11/2010	Kim et al.	D14/138 AB
D627,324 S *	11/2010	Kim et al.	D14/138 AB
D627,325 S *	11/2010	Zhang et al.	D14/138 AB
D627,752 S *	11/2010	Jensfelt et al.	D14/138 AB
D627,753 S *	11/2010	Jensfelt et al.	D14/138 AB
D628,548 S *	12/2010	Park et al.	D14/138 G
2006/0135225 A1 *	6/2006	Lin et al.	455/575.3
2010/0041449 A1 *	2/2010	Nakao et al.	455/575.3

OTHER PUBLICATIONS

Samsung E2530 telephone, announced Nov. 2010, [online], [site visited Dec. 12, 2010]. Available from Internet ,<URL: <http://www.gsmarena.com>>.*

Sony Ericsson T707 telephone, announced Mar. 2009, [online], [site visited Dec. 12, 2010]. Available from Internet ,<URL: <http://www.gsmarena.com>>.*

(Continued)

Primary Examiner — Jeffrey D Asch

(74) *Attorney, Agent, or Firm* — Staas & Halsey LLP

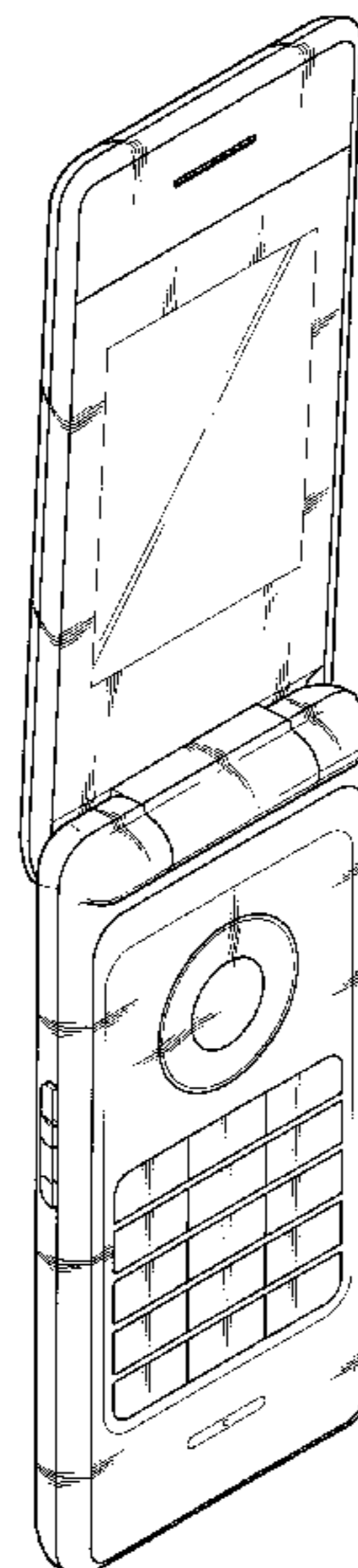
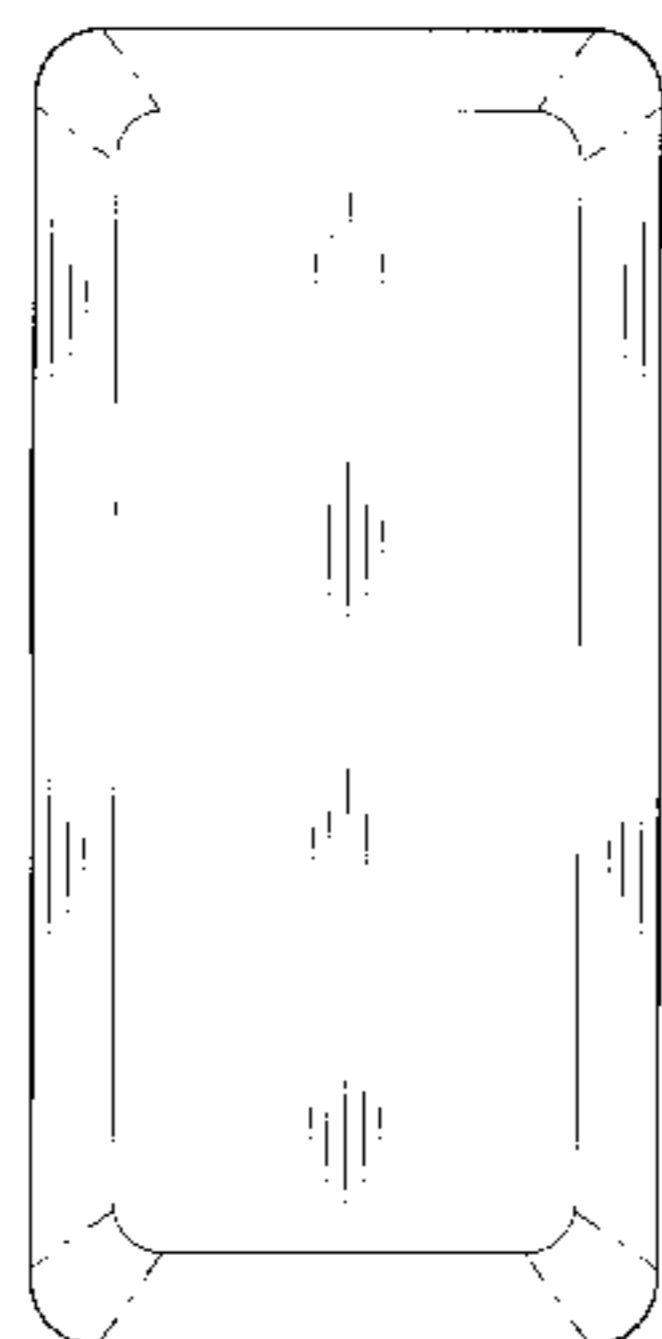
(57) **CLAIM**

The ornamental design for a mobile phone, as shown and described.

DESCRIPTION

FIG. 1 is a front perspective view of a mobile phone; FIG. 2 is a front view of the mobile phone of FIG. 1; FIG. 3 is a rear view of the mobile phone of FIG. 1; FIG. 4 is a left-side view of the mobile phone of FIG. 1; FIG. 5 is a right-side view of the mobile phone of FIG. 1; FIG. 6 is a top plan view of the mobile phone of FIG. 1; FIG. 7 is a bottom plan view of the mobile phone of FIG. 1; and, FIG. 8 is an open front perspective view of a mobile phone of FIG. 1.

1 Claim, 5 Drawing Sheets



OTHER PUBLICATIONS

LG KH3900 Joypop telephone, announced Apr. 2010, [online], [site visited Dec. 12, 2010]. Available from Internet ,<URL: <http://www.gsmarena.com>>.*

Alcatel OT-V570 telephone, announced 2008, [online], [site visited Dec. 12, 2010]. Available from Internet ,<URL: <http://www.gsmarena.com>>.*

Sharp 934SH telephone, announced Aug. 2009, [online], [site visited Dec. 12, 2010]. Available from Internet ,<URL: <http://www.gsmarena.com>>.*

LG U370 telephone, announced Mar. 2008, [online], [site visited Dec. 12, 2010]. Available from Internet ,<URL: <http://www.gsmarena.com>>.*

Philips X606 telephone, announced Apr. 2010, [online], [site visited Dec. 12, 2010]. Available from Internet ,<URL: <http://www.gsmarena.com>>.*

Philips Xenium X530 telephone, announced Mar. 2009, [online], [site visited Dec. 12, 2010]. Available from Internet ,<URL: <http://www.gsmarena.com>>.*

* cited by examiner

FIG. 1

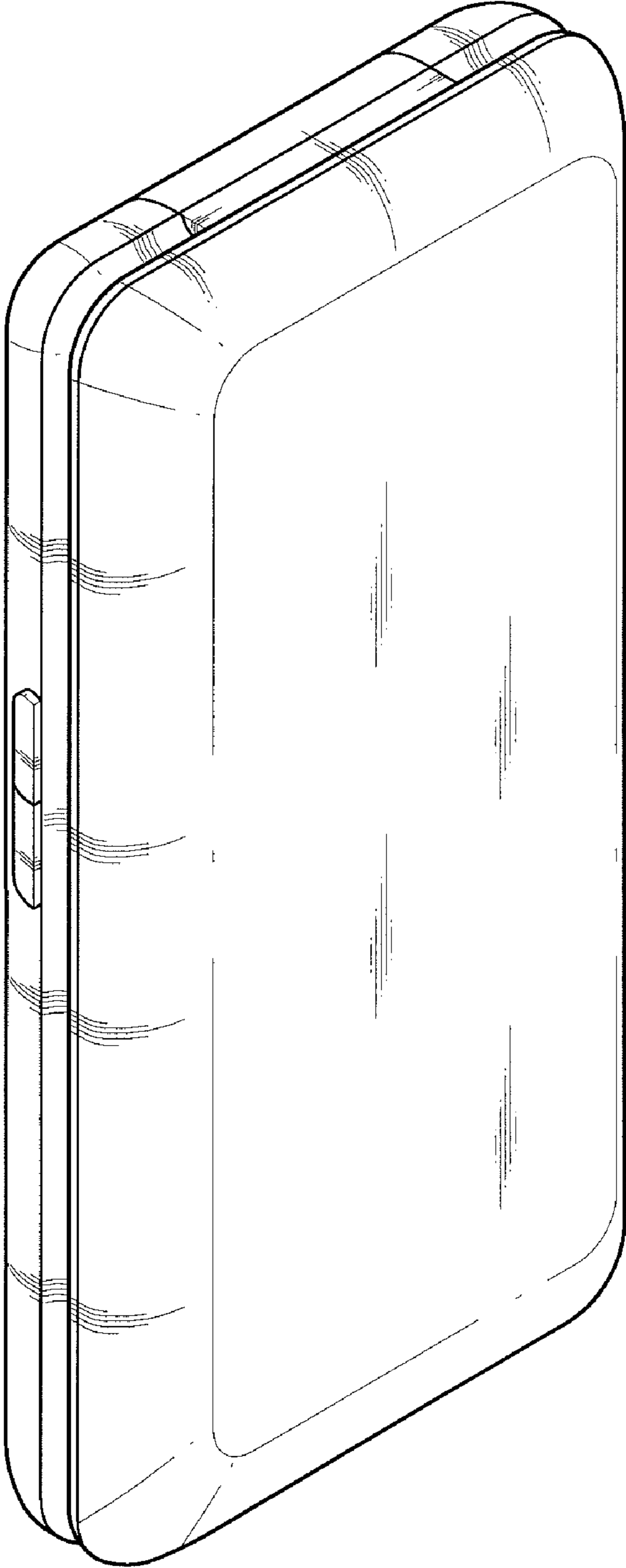


FIG.2

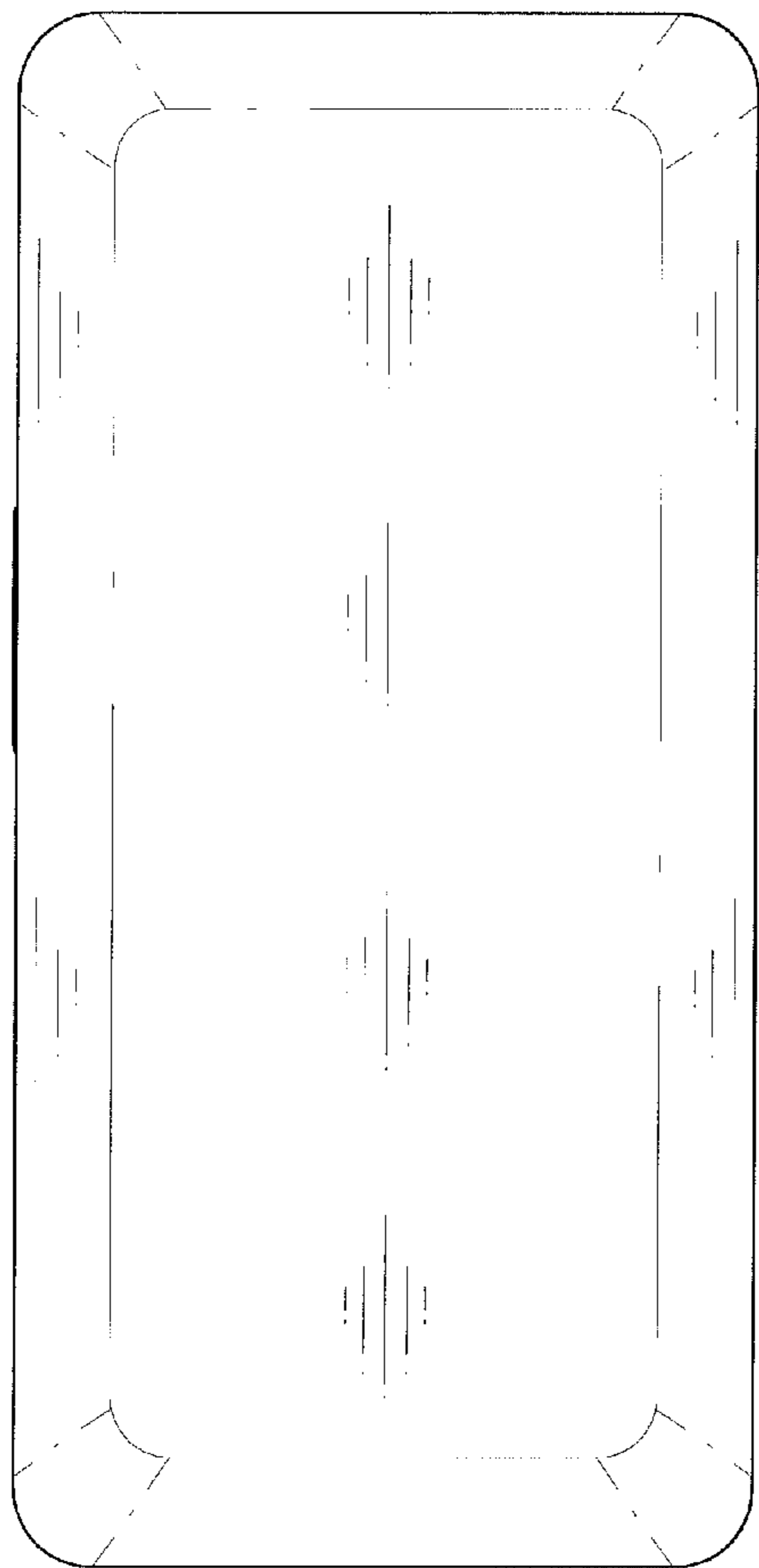


FIG.3

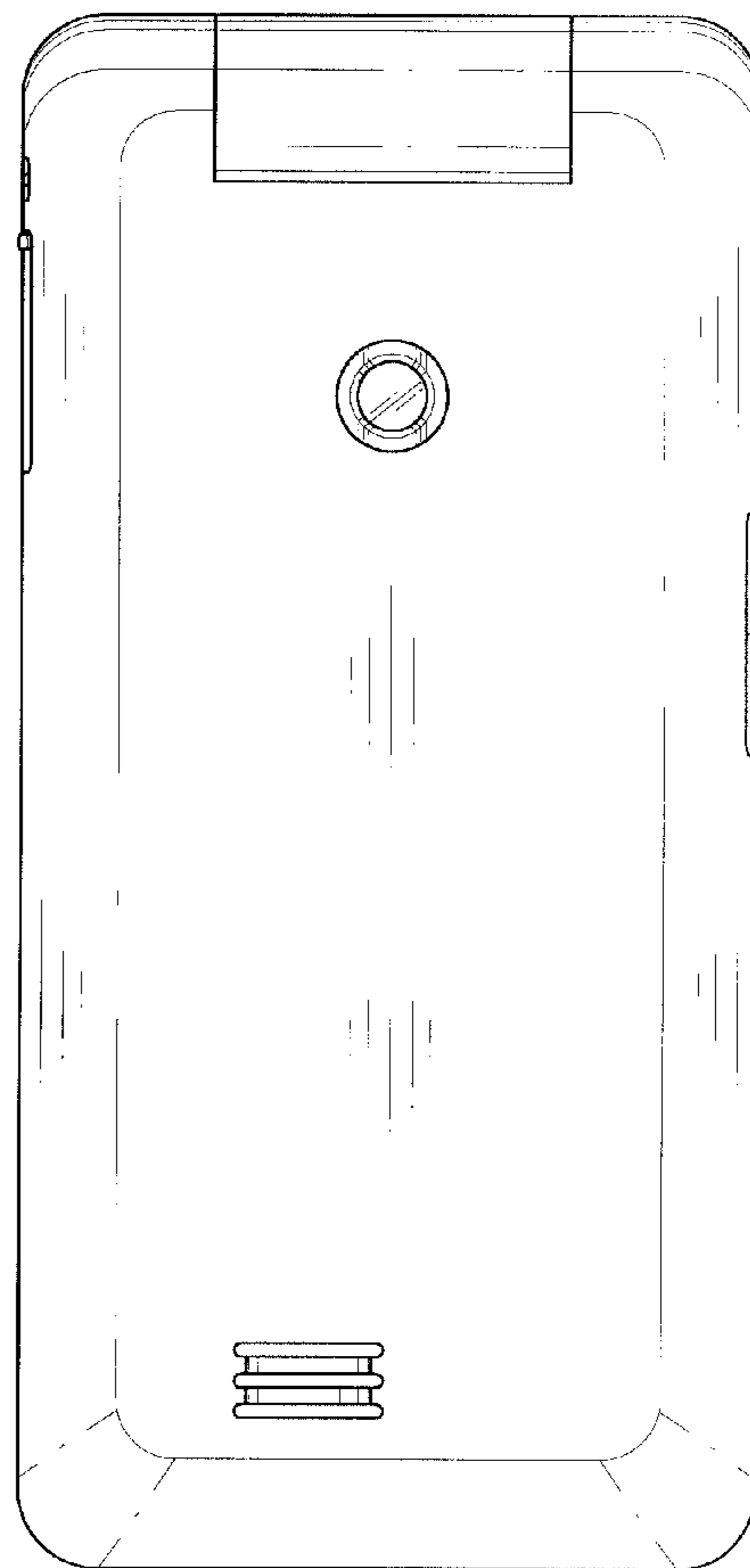


FIG. 4

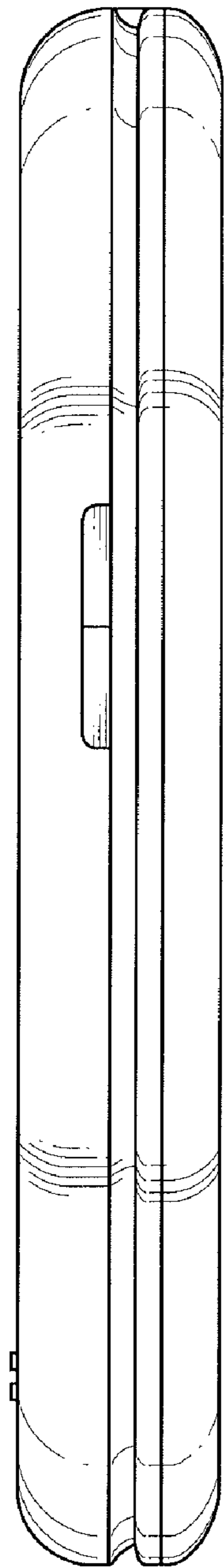


FIG. 5

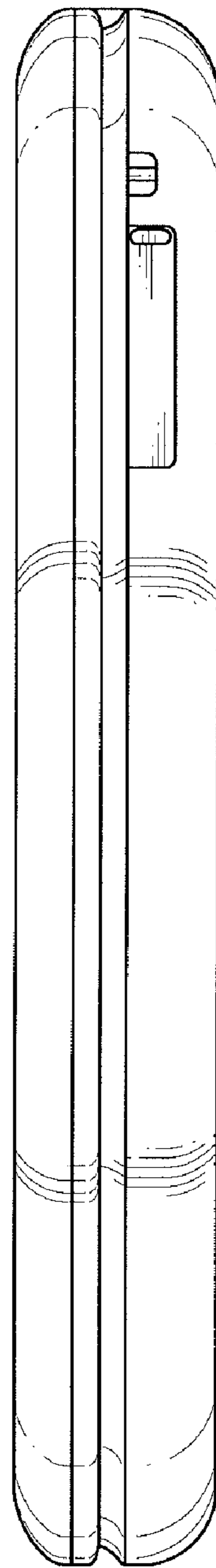


FIG. 6

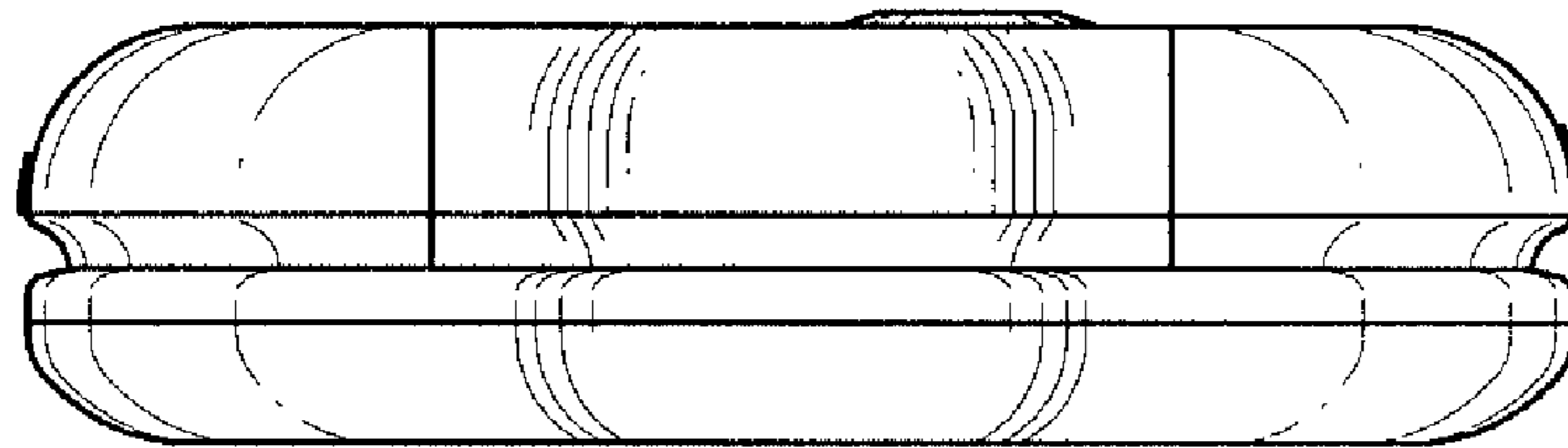


FIG. 7

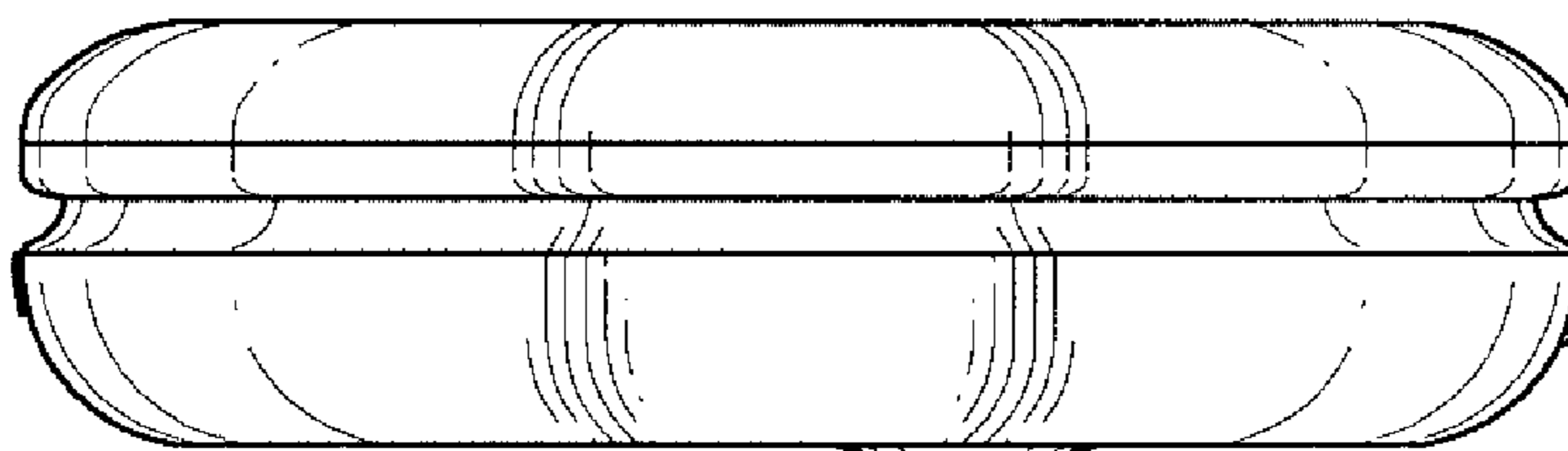


FIG. 8

