

US00D635945S

(12) **United States Design Patent**
Richards et al.

(10) **Patent No.:** **US D635,945 S**

(45) **Date of Patent:** **** Apr. 12, 2011**

(54) **COMMUNICATION DEVICE**

(75) Inventors: **Scott H. Richards**, Plantation, FL (US);
Jorge L. Garcia, Plantation, FL (US)

(73) Assignee: **Motorola Solutions, Inc.**, Schaumburg,
IL (US)

(**) Term: **14 Years**

(21) Appl. No.: **29/362,475**

(22) Filed: **May 26, 2010**

(51) **LOC (9) Cl.** **14-03**

(52) **U.S. Cl.** **D14/137**

(58) **Field of Classification Search** D14/135,
D14/137, 139, 157, 188, 197–198, 257, 258,
D14/138 R, 138 AA, 138 C, 138, 138 AD,
D14/138 AC, 138 G, 147, 218, 341–347;
361/814; 455/90.1–90.3

See application file for complete search history.

(56) **References Cited**

U.S. PATENT DOCUMENTS

| | | | | | | |
|--------------|----|---|---------|-------------------|-------|-----------|
| D347,426 | S | * | 5/1994 | Culbertson et al. | | D14/137 |
| D356,790 | S | * | 3/1995 | Davison et al. | | D14/137 |
| 5,438,685 | A | * | 8/1995 | Sorensen et al. | | 455/575.9 |
| D497,600 | S | * | 10/2004 | Richards et al. | | D14/137 |
| 6,993,365 | B2 | * | 1/2006 | Fujino et al. | | 455/569.1 |
| D564,999 | S | | 3/2008 | Richards et al. | | |
| D595,679 | S | * | 7/2009 | Devenish et al. | | D14/137 |
| D605,616 | S | * | 12/2009 | Scott et al. | | D14/137 |
| 2004/0051497 | A1 | * | 3/2004 | Richards et al. | | 320/103 |
| 2006/0135088 | A1 | * | 6/2006 | Chen | | 455/90.3 |
| 2008/0242375 | A1 | * | 10/2008 | Garcia et al. | | 455/575.1 |
| 2009/0098836 | A1 | * | 4/2009 | Yurman et al. | | 455/90.2 |
| 2009/0221331 | A1 | * | 9/2009 | Crawford et al. | | 455/572 |

OTHER PUBLICATIONS

ICOM IC-F24, [online], [retrieved on Jan. 6, 2010]. Retrieved from Internet ,<URL: <http://www.twowayradioonline.com>>.*

ICOM 2 Way Radios—F24 Portable, [online], [retrieved on Jan. 7, 2010]. Retrieved from Internet ,<URL: <http://www.fastradios.com>>.*

ICOM 2 Way Radios—Lite Portable, [online], [retrieved on Aug. 26, 2009]. Retrieved from Internet ,<URL: <http://www.fastradios.com>>.*

* cited by examiner

Primary Examiner — Jeffrey D Asch

Assistant Examiner — Bridget L Eland

(74) *Attorney, Agent, or Firm* — Barbara R. Doutré

(57) **CLAIM**

The ornamental design for a communication device, as shown and described.

DESCRIPTION

FIG. 1 is a front perspective view of a first embodiment of an ornamental design for a communication device;

FIG. 2 is a front view of the first embodiment thereof;

FIG. 3 is a rear view of the first embodiment thereof;

FIG. 4 is a first side view of the first embodiment thereof;

FIG. 5 is a second side view of the first embodiment thereof;

FIG. 6 is a top view of the first embodiment thereof; and

FIG. 7 is a bottom view of the first embodiment thereof.

FIG. 8 is a front perspective view of a second embodiment of an ornamental design for a communication device;

FIG. 9 is a front view of the second embodiment thereof;

FIG. 10 is a rear view of the second embodiment thereof;

FIG. 11 is a first side view of the second embodiment thereof;

FIG. 12 is a second side view of the second embodiment thereof;

FIG. 13 is a top view of the second embodiment thereof; and

FIG. 14 is a bottom view of the second embodiment thereof.

FIG. 15 is a front perspective view of a third embodiment of an ornamental design for a communication device;

FIG. 16 is a front view of the third embodiment thereof;

FIG. 17 is a rear view of the third embodiment thereof;

FIG. 18 is a first side view of the third embodiment thereof;

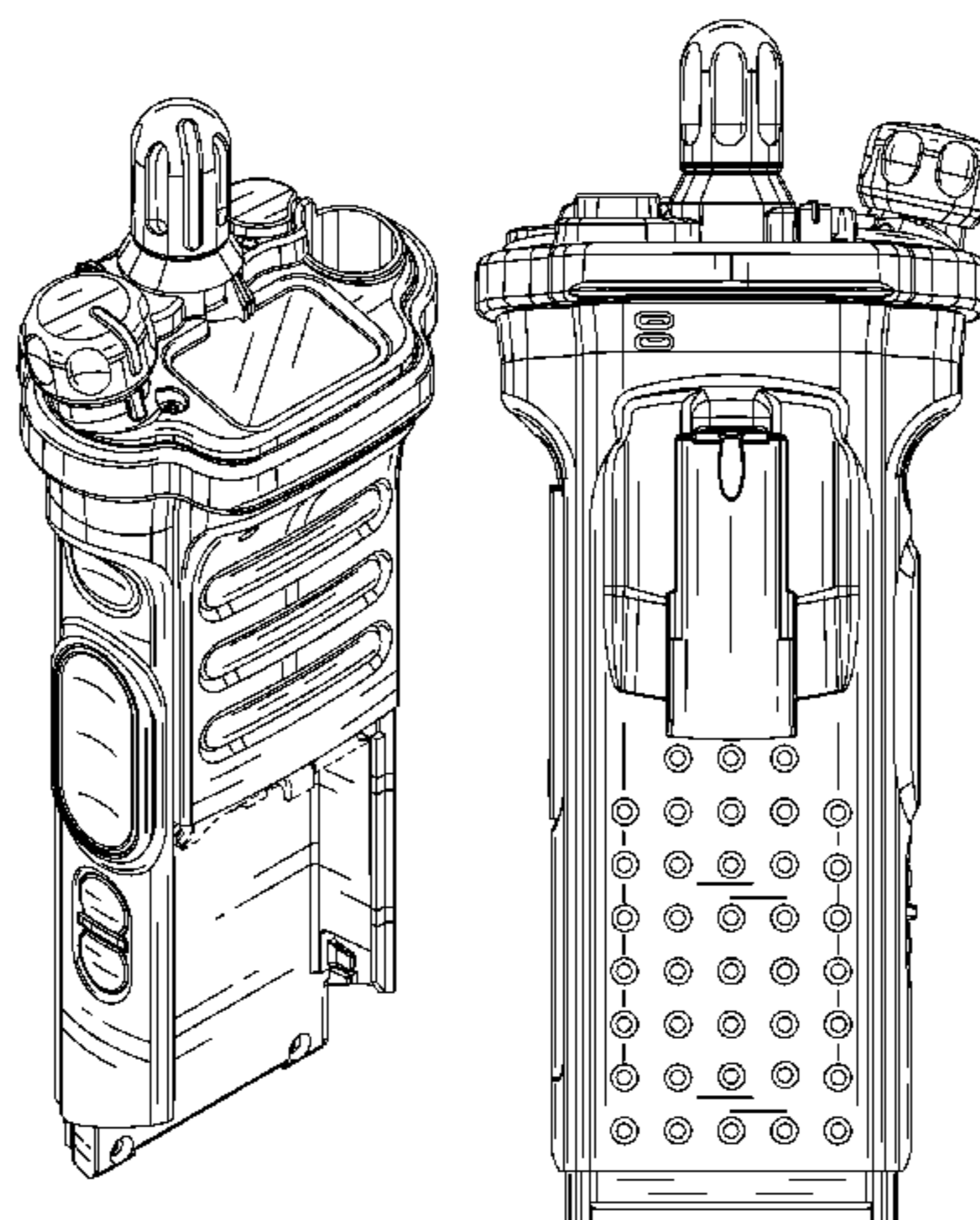
FIG. 19 is a second side view of the third embodiment thereof;

FIG. 20 is a top view of the third embodiment thereof; and

FIG. 21 is a bottom view of the third embodiment thereof.

The broken lines shown that are immediately adjacent to the shaded areas, and define unshaded regions, represent the bounds of the embodiment in which they are shown, while all other broken lines are directed to environment and are for illustrative purposes only; the broken lines form no part of the embodiment in which they are shown.

1 Claim, 15 Drawing Sheets



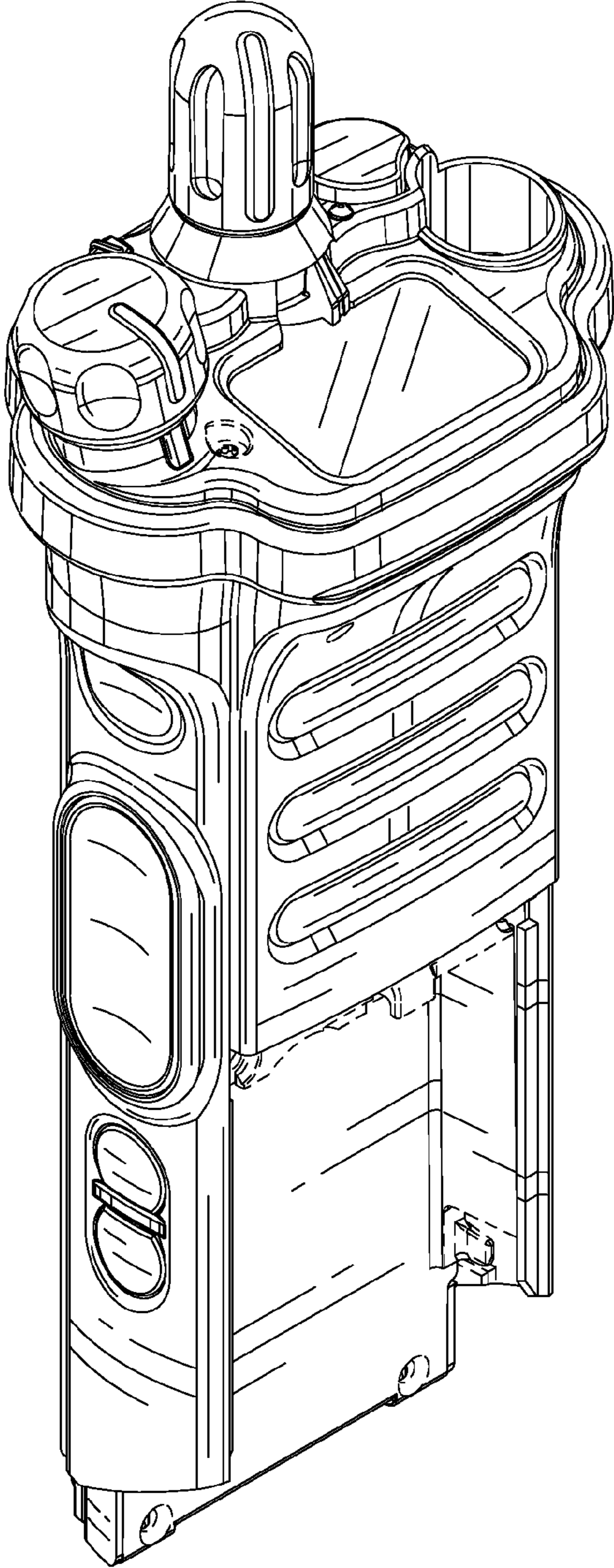


FIG. 1

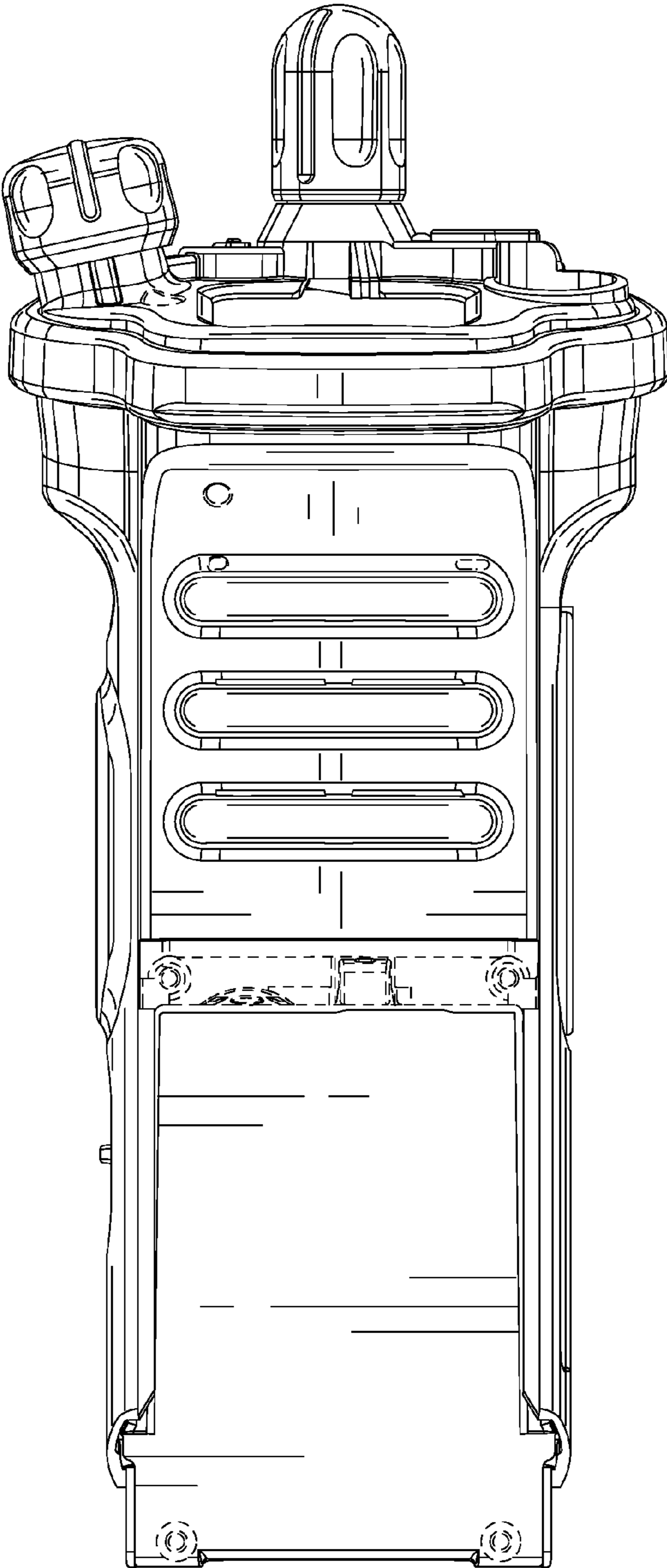


FIG. 2

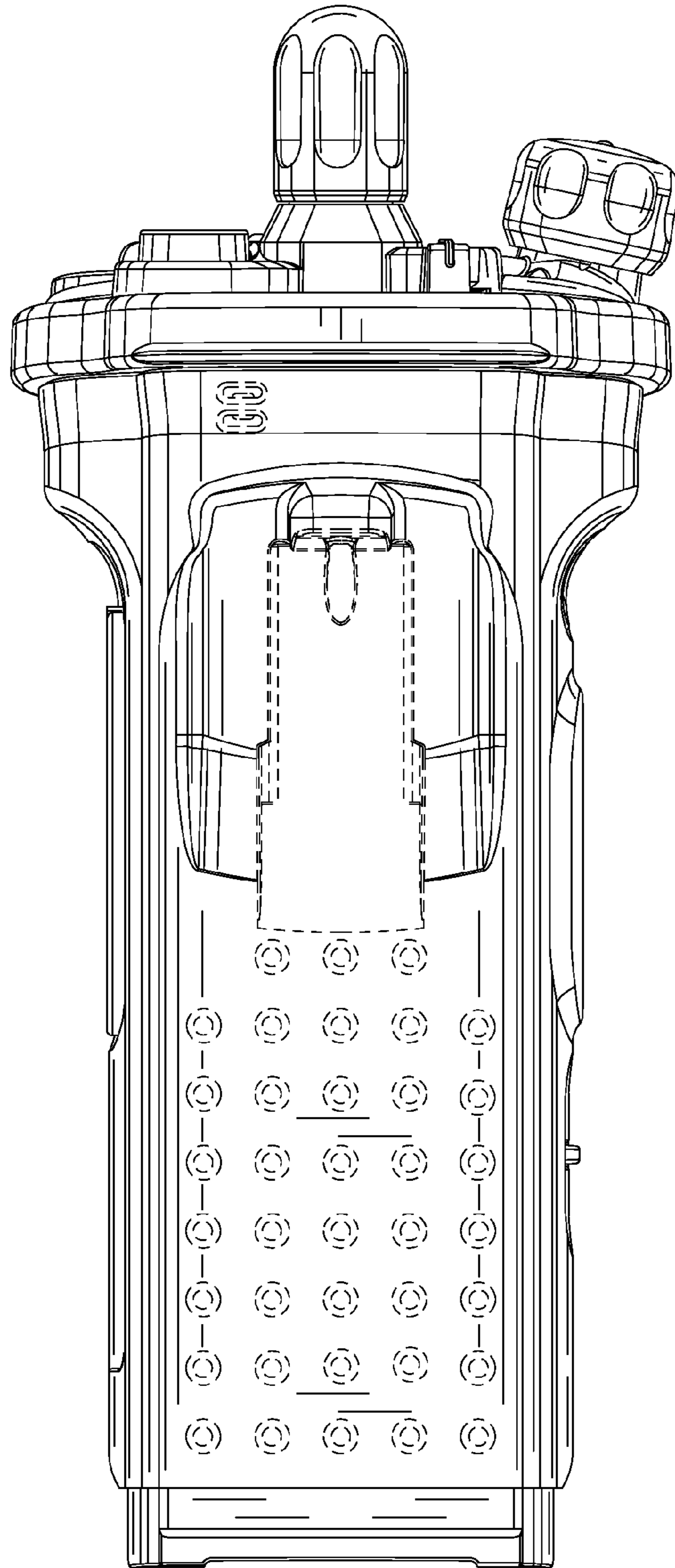


FIG. 3

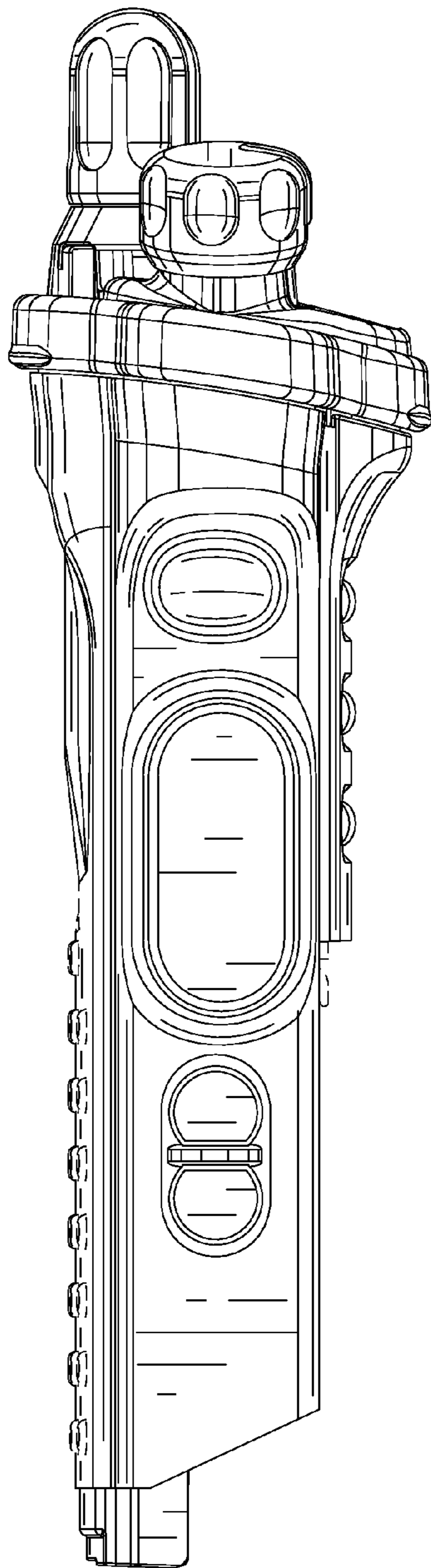


FIG. 4

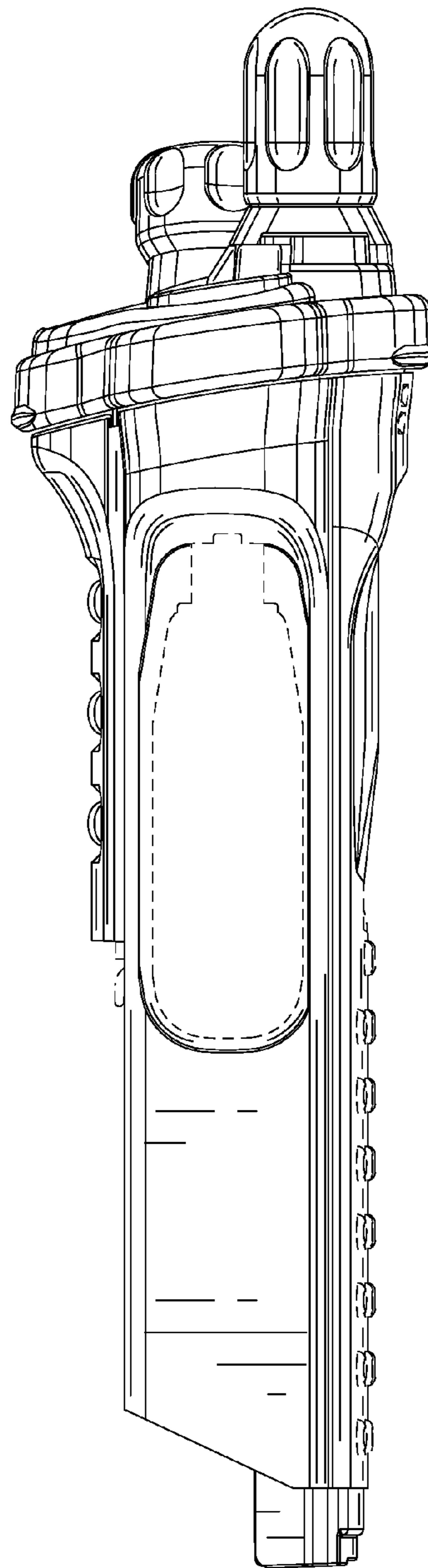


FIG. 5

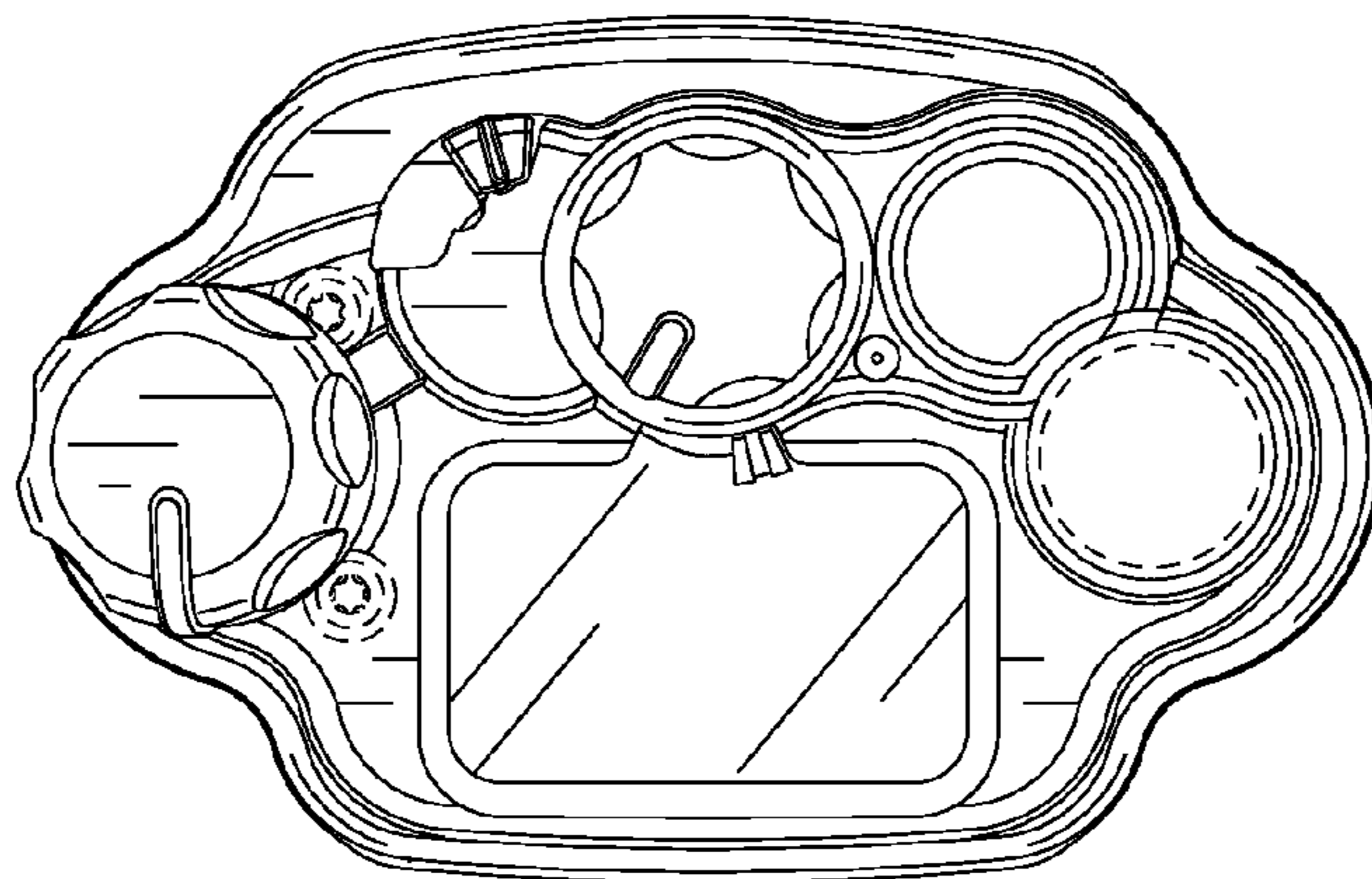


FIG. 6

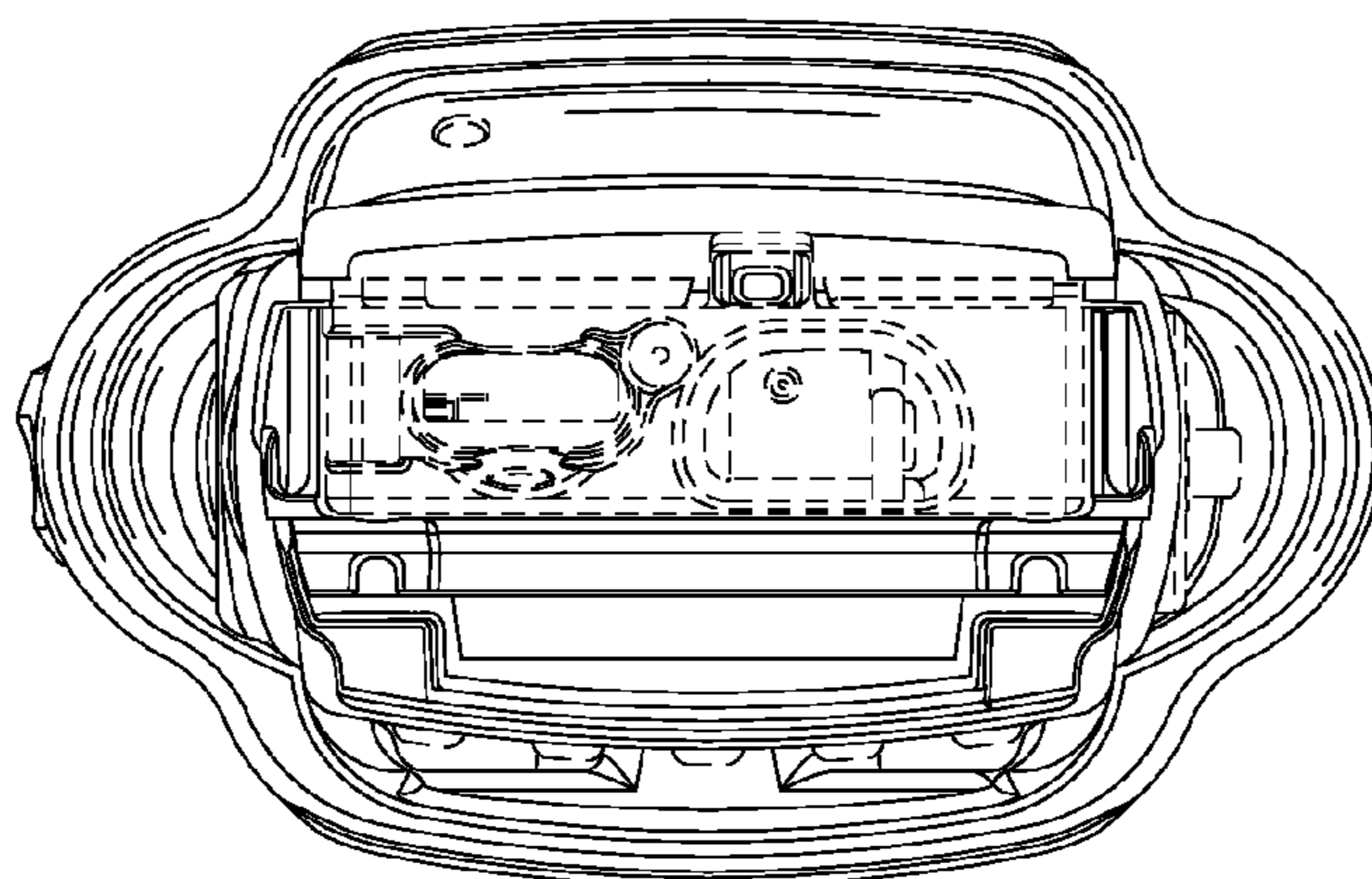


FIG. 7

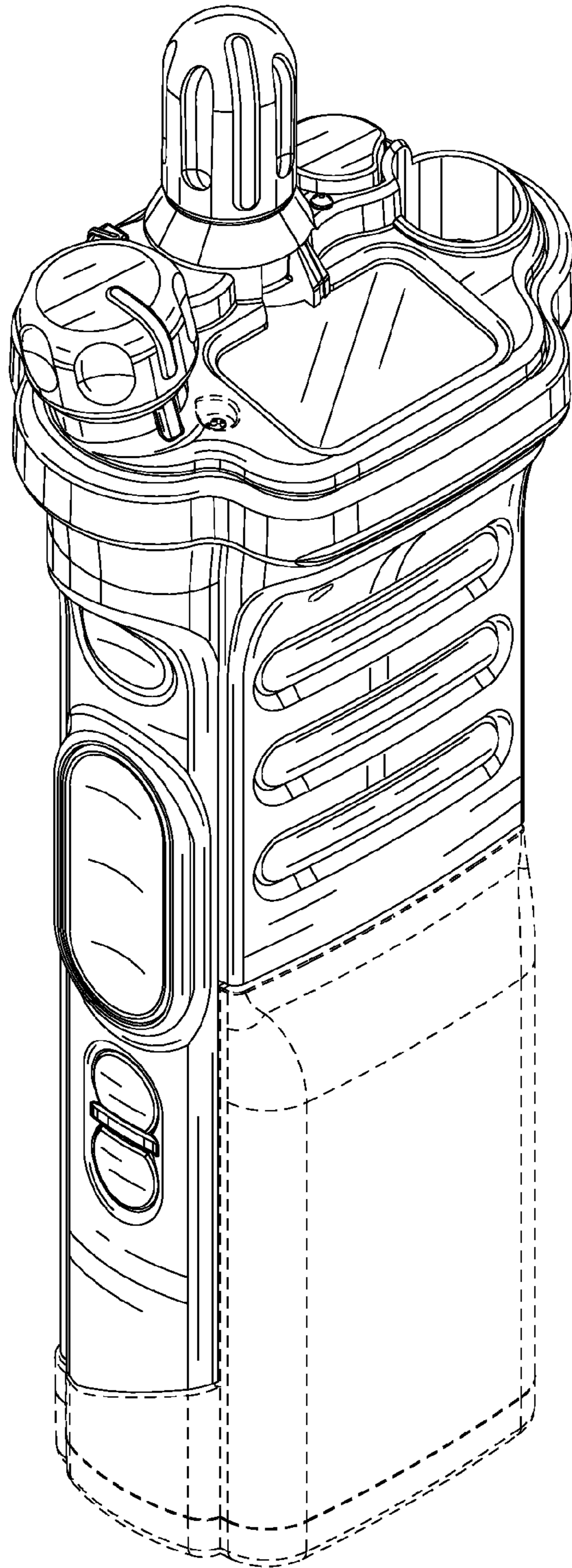


FIG. 8

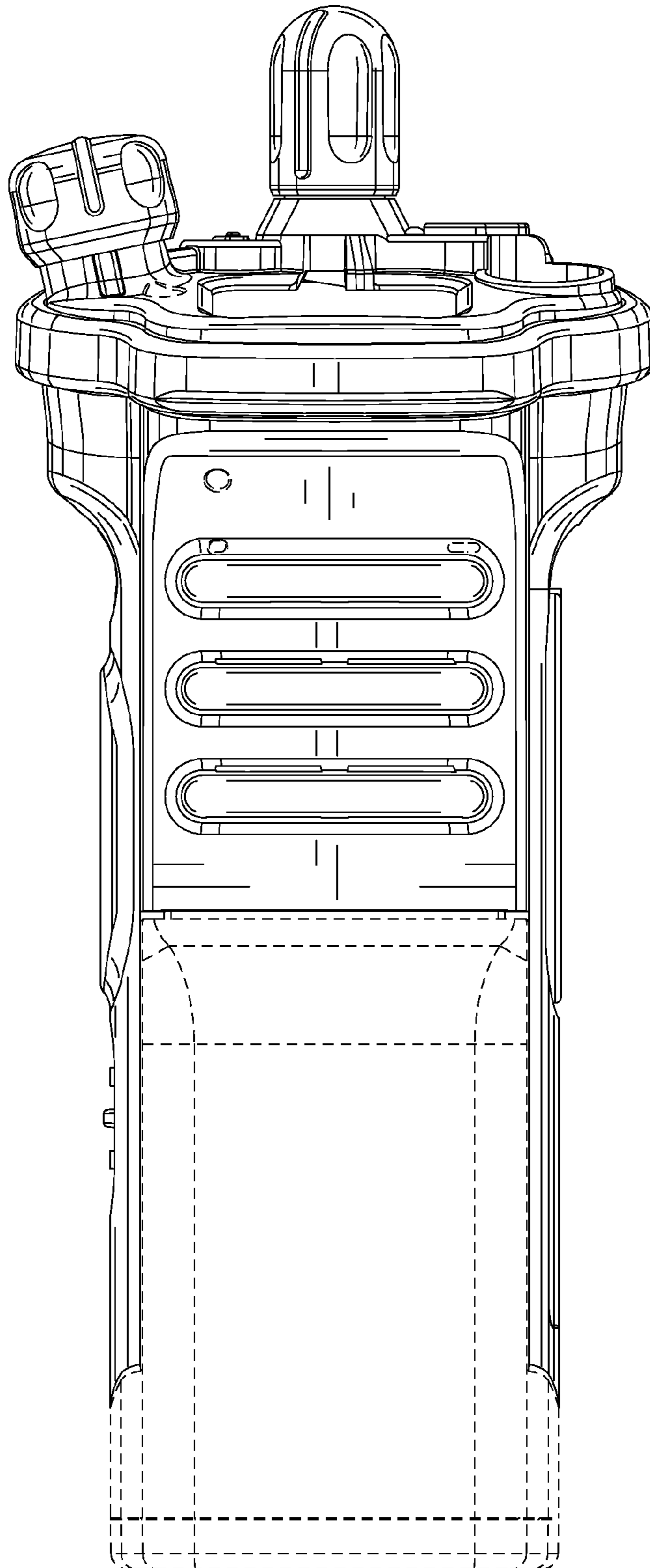


FIG. 9

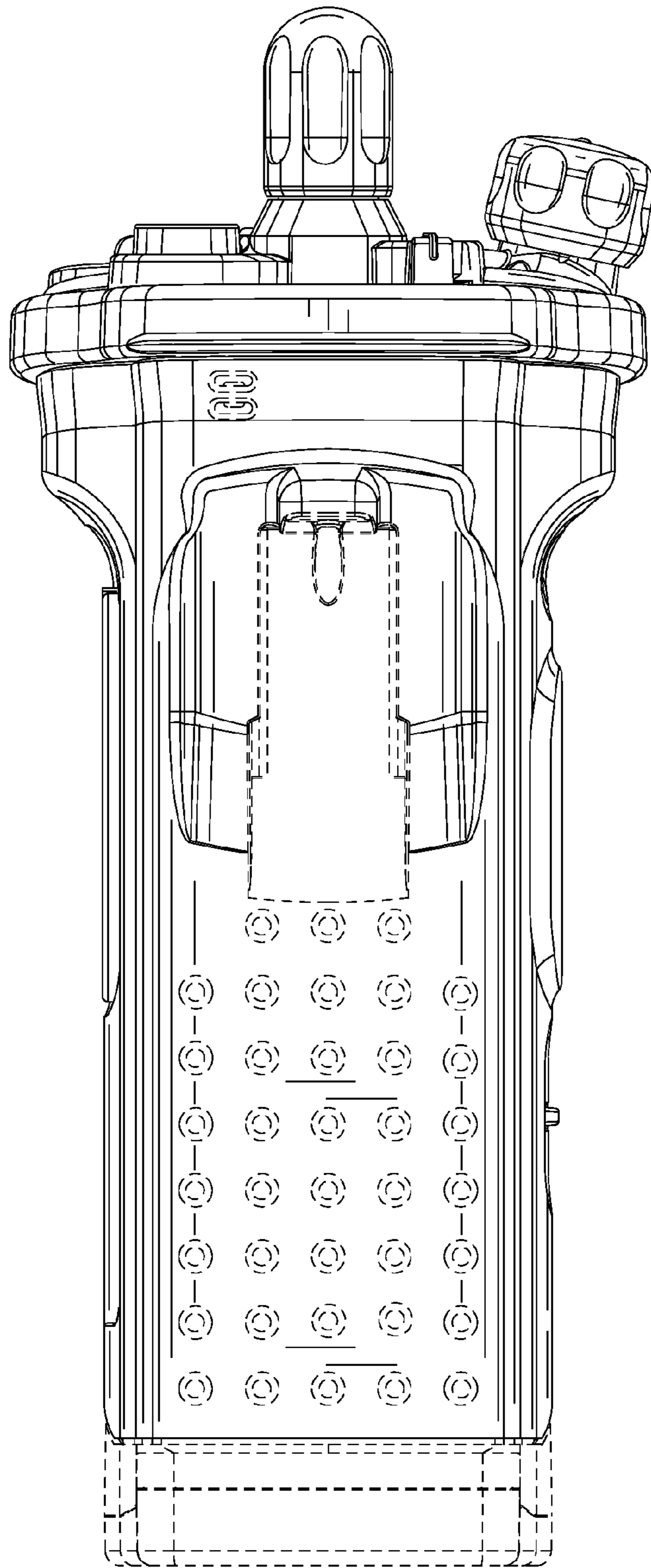


FIG. 10

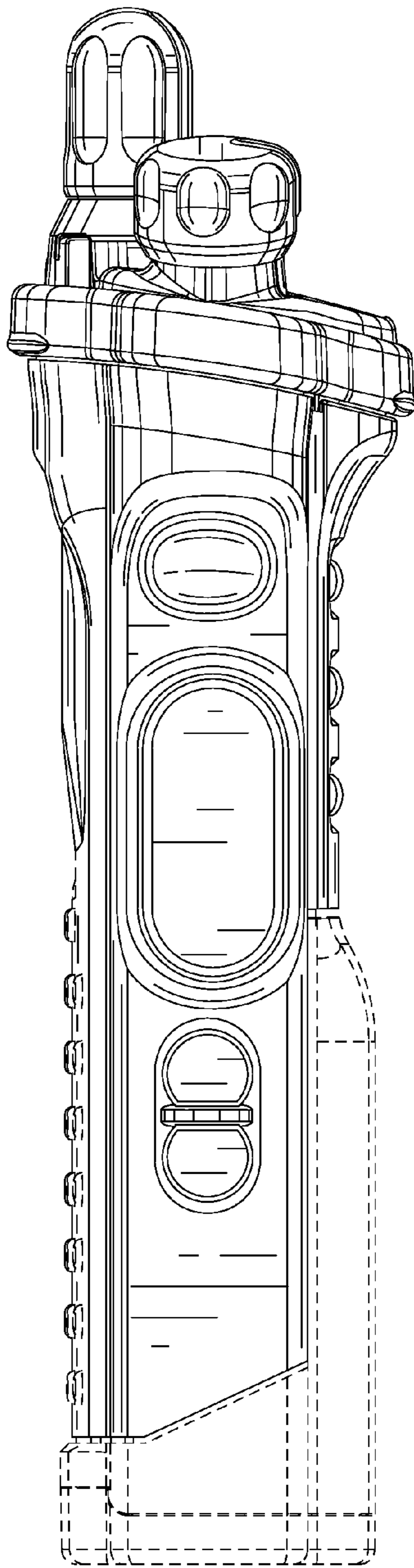


FIG. 11

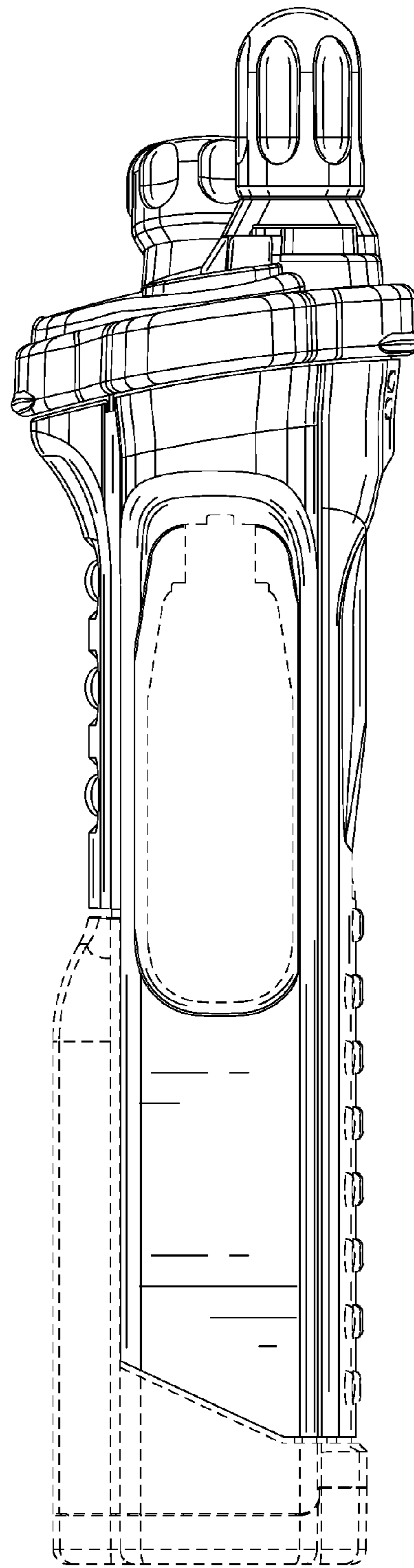


FIG. 12

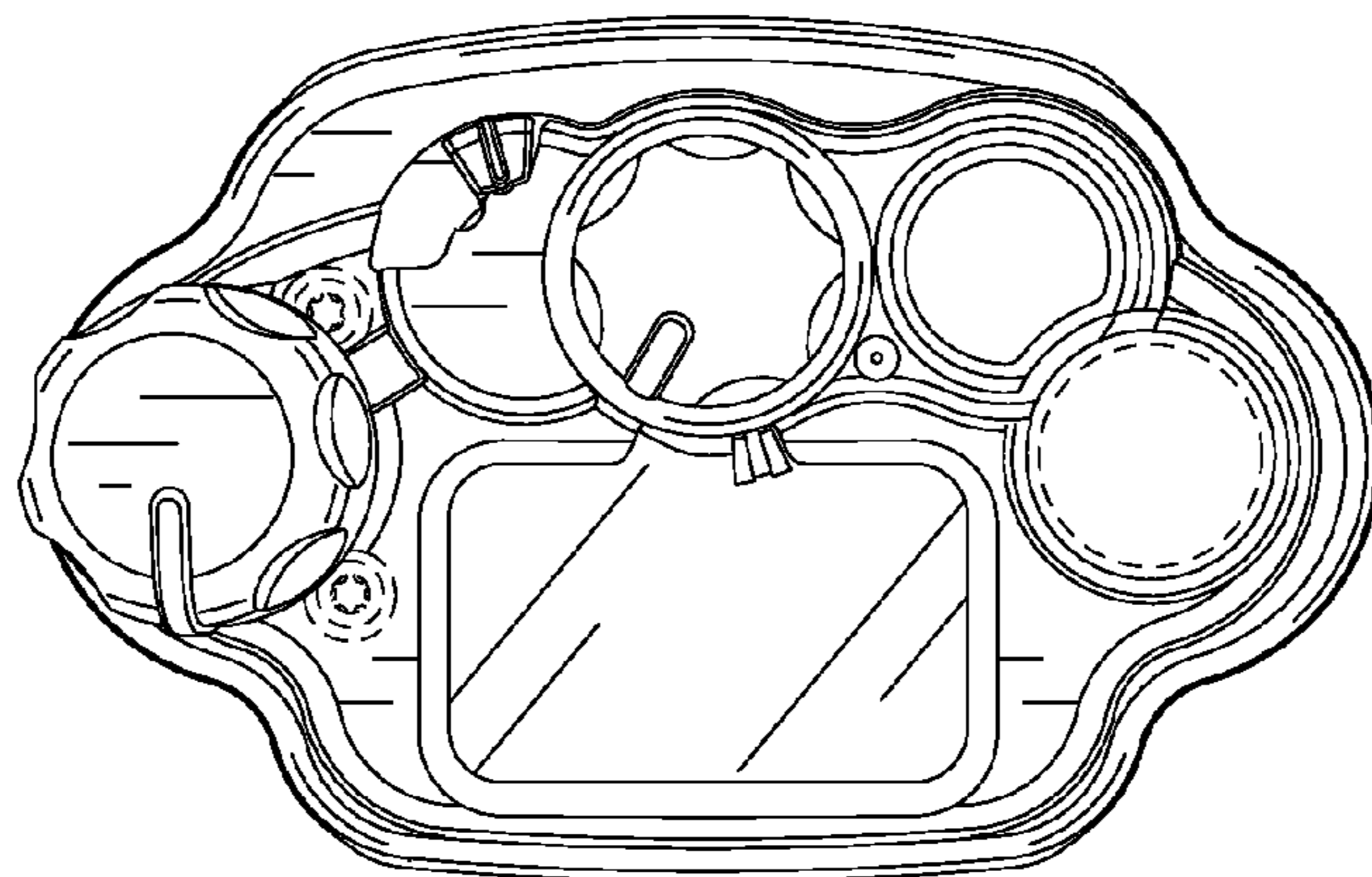


FIG. 13

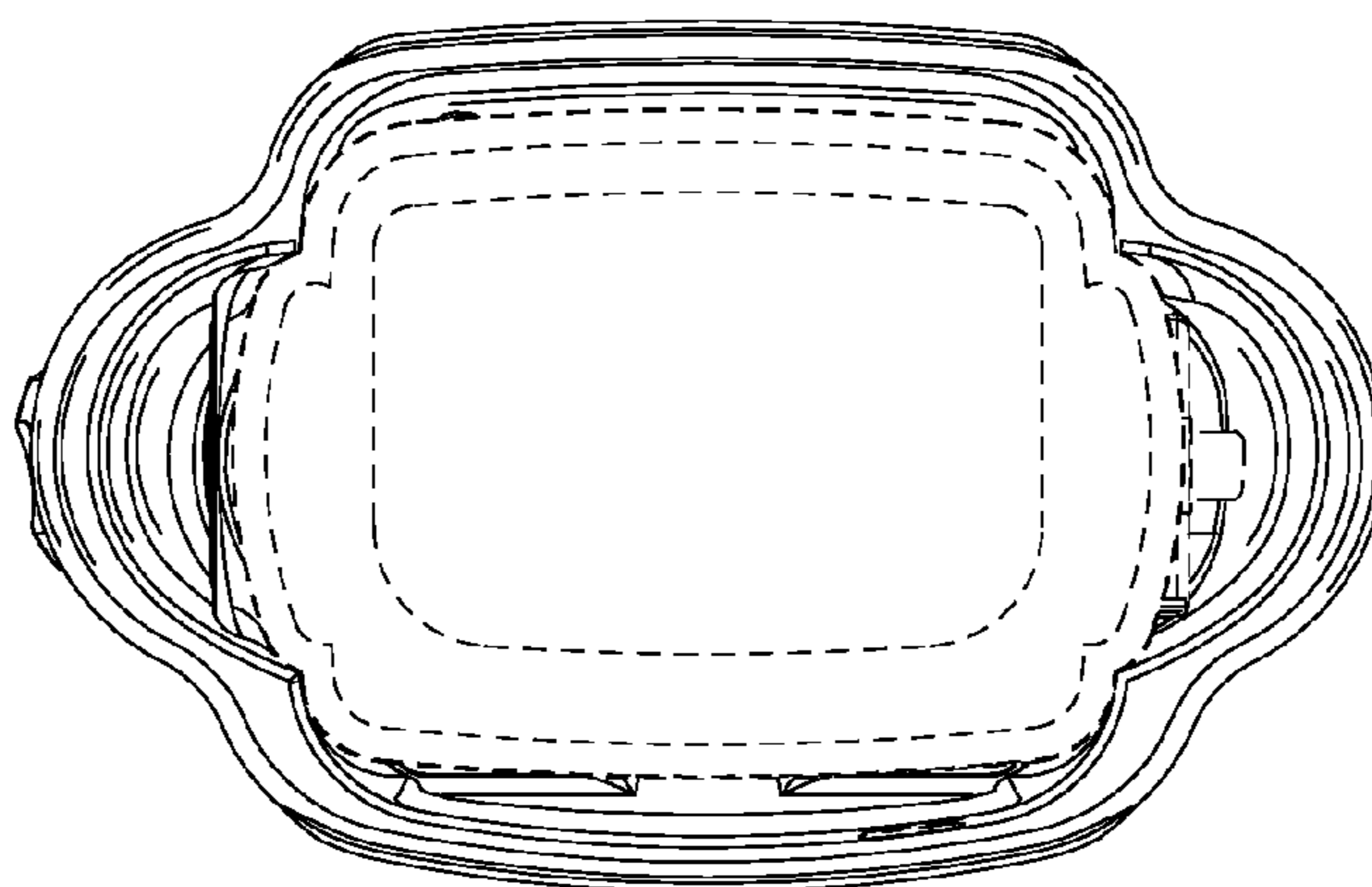


FIG. 14

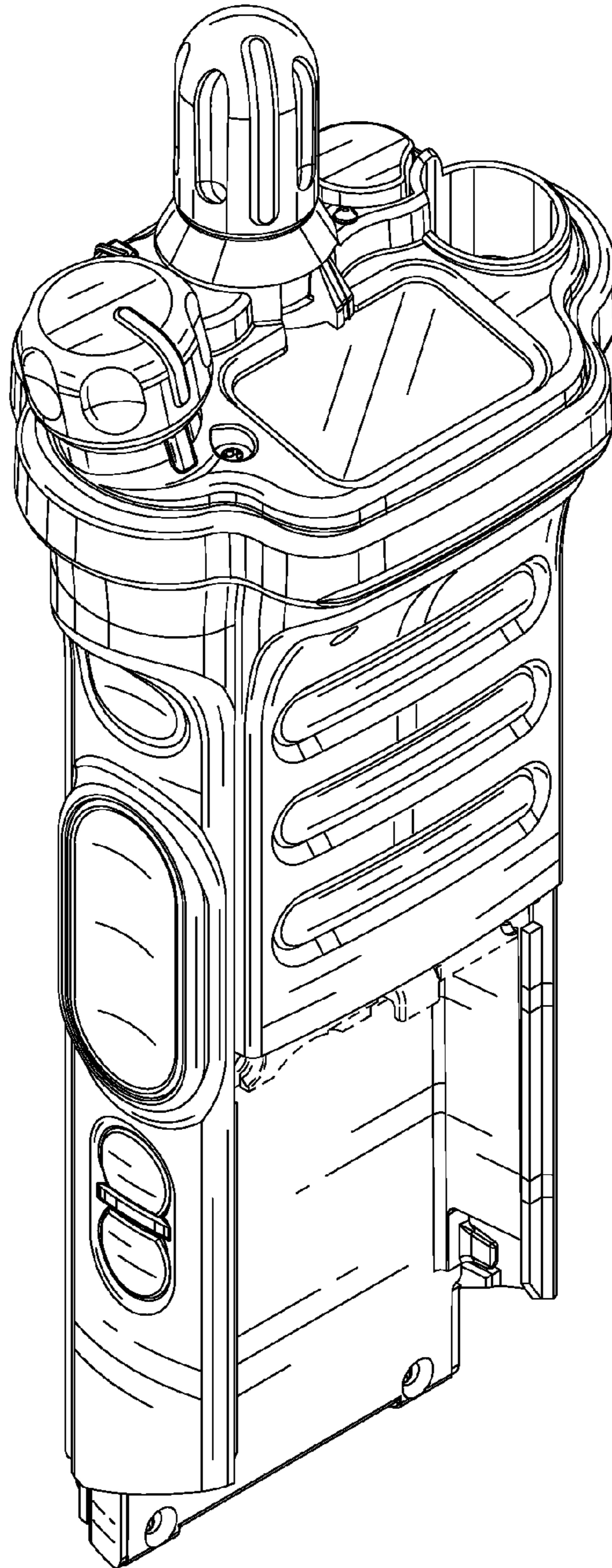


FIG. 15

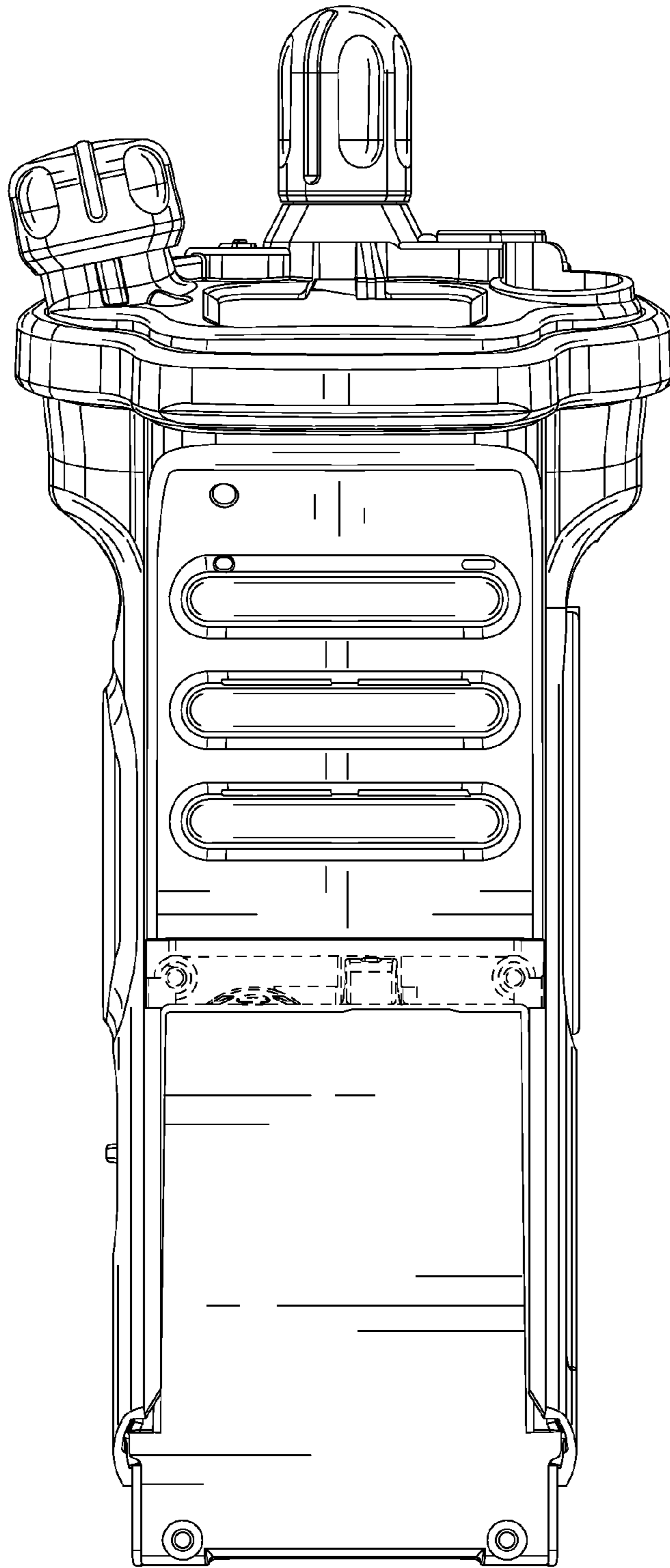


FIG. 16

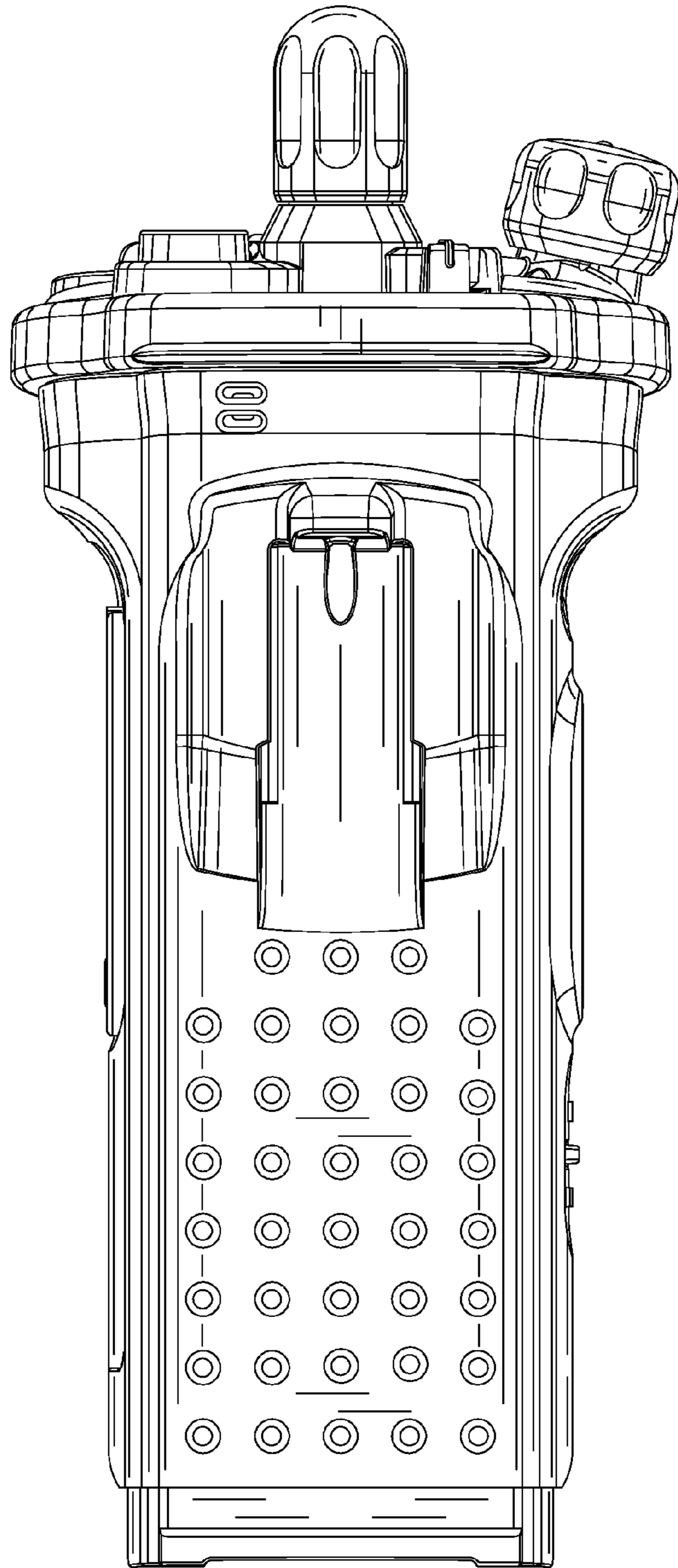


FIG. 17

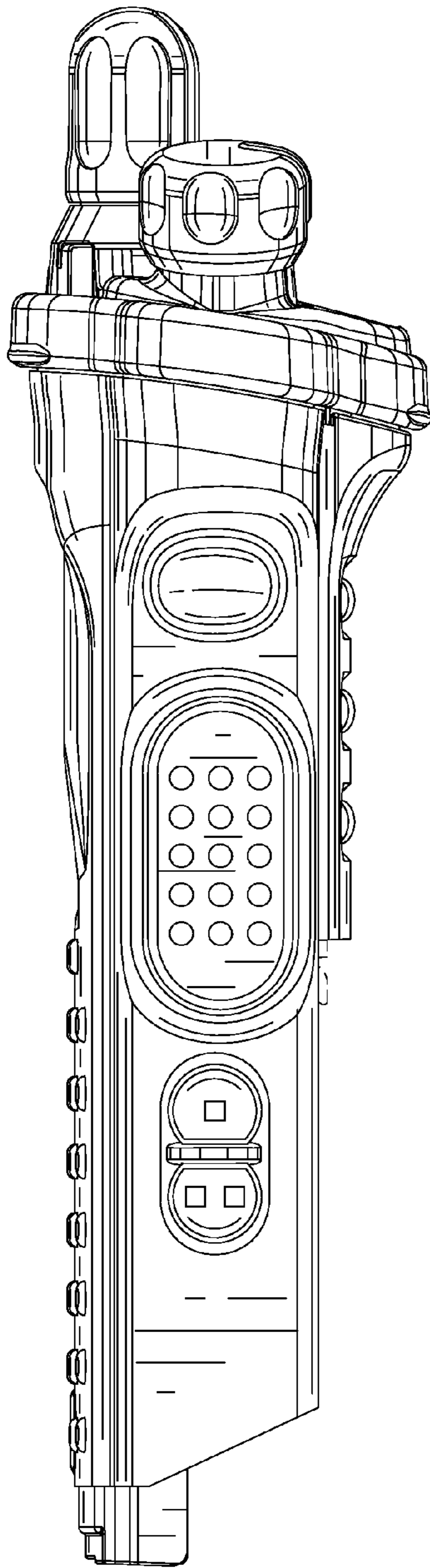


FIG. 18

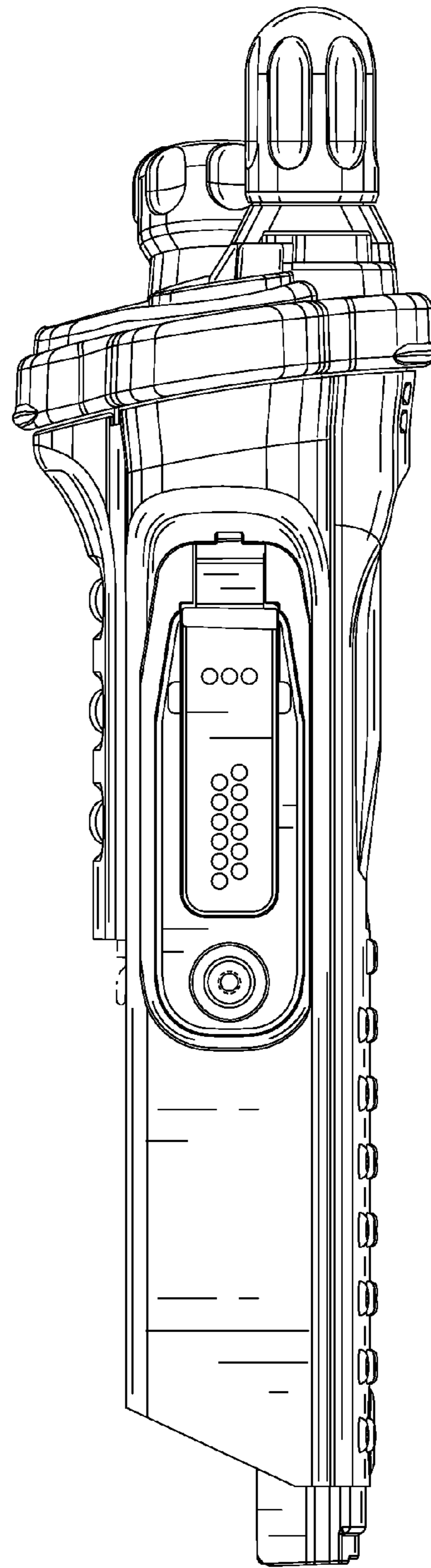


FIG. 19

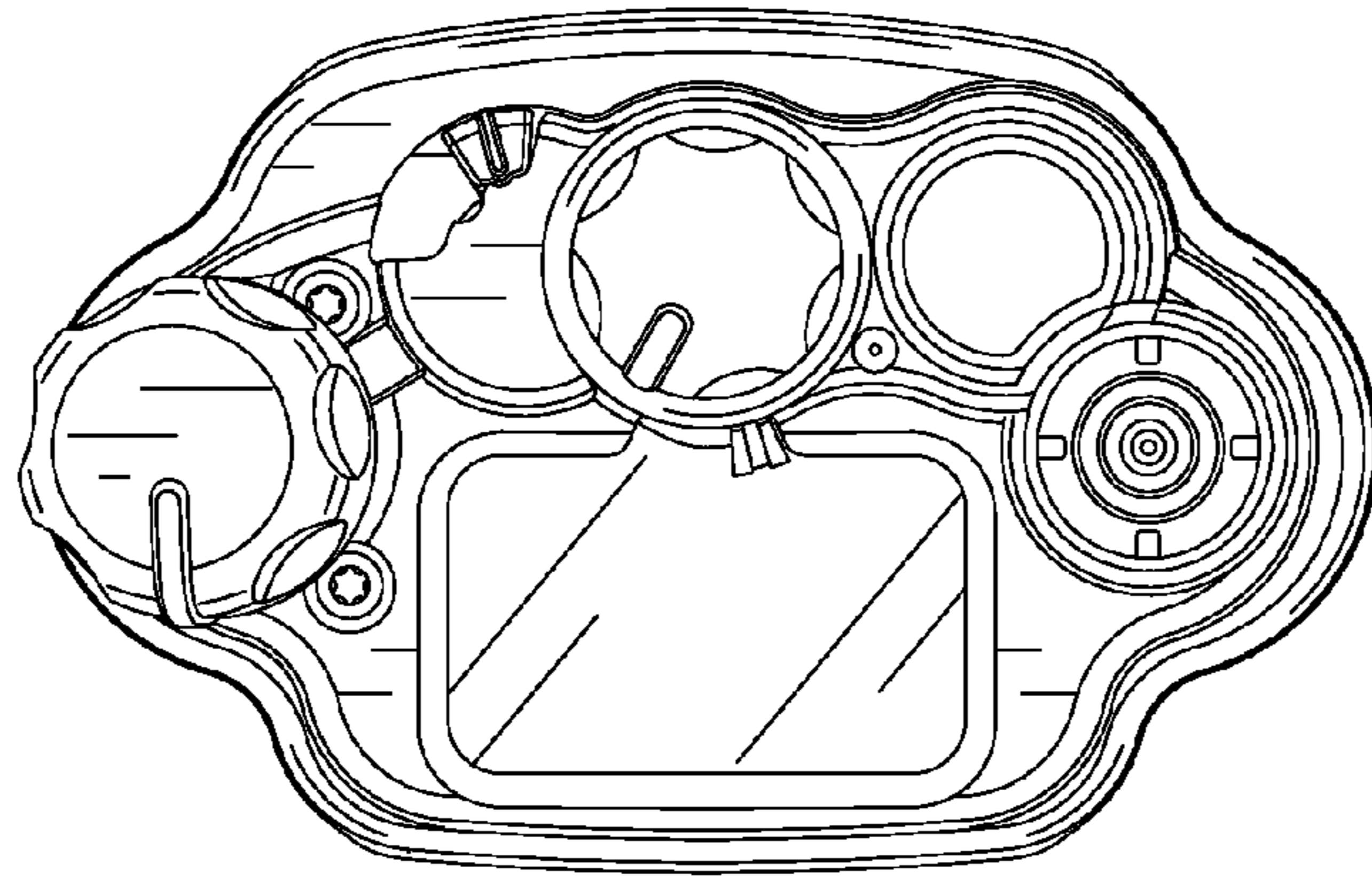


FIG. 20

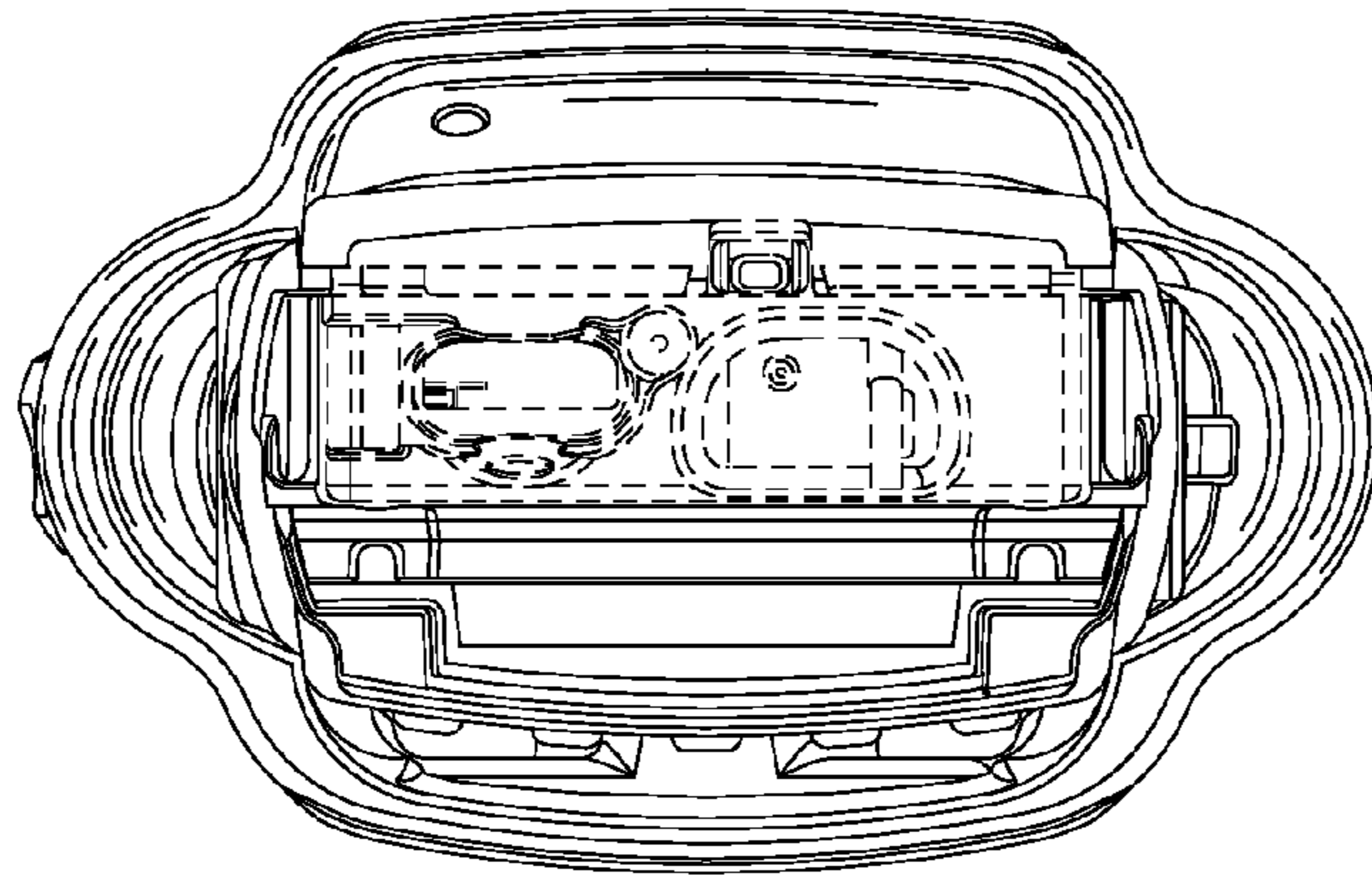


FIG. 21