



US00D635944S

(12) **United States Design Patent**
Chien et al.

(10) **Patent No.:** **US D635,944 S**
(45) **Date of Patent:** **** Apr. 12, 2011**

- (54) **REAR PROJECTION TELEVISION (RPTV)**
- (75) Inventors: **Shyh-nan Chien**, Taipei County (TW);
Chung-lin Lin, Taipei County (TW)
- (73) Assignee: **DA2 Technologies Corporation**,
Shi-Chi, Taipei County (TW)
- (**) Term: **14 Years**
- (21) Appl. No.: **29/371,167**
- (22) Filed: **Nov. 9, 2010**
- (51) **LOC (9) Cl.** **14-03**
- (52) **U.S. Cl.** **D14/128**
- (58) **Field of Classification Search** D14/125-134,
D14/239, 371, 136, 374-377, 440, 450, 448,
D14/336, 342; 312/7.2; 348/836, 838, 180,
348/184, 325, 739; 341/12; 248/917-924,
248/465; 345/104, 133, 156, 168, 87, 173;
720/605, 669, 600, 655; 369/99, 197; 455/344,
455/347; D21/329, 515, 577, 622, 333, 433,
D21/448, 452, 450, 331; D6/477, 479, 300;
273/148 B; 446/484, 175, 356; D10/15,
D10/26

See application file for complete search history.

(56) **References Cited**

U.S. PATENT DOCUMENTS

D551,194 S *	9/2007	Kim et al.	D14/128
D558,701 S *	1/2008	Onoda et al.	D14/128
D564,472 S *	3/2008	Won et al.	D14/128
D566,073 S *	4/2008	Arai et al.	D14/128
D574,345 S *	8/2008	Katsumata	D14/128
D613,704 S *	4/2010	Yamaguchi et al.	D14/128

* cited by examiner

Primary Examiner — Raphael Barkai

(74) *Attorney, Agent, or Firm* — Bacon & Thomas, PLLC

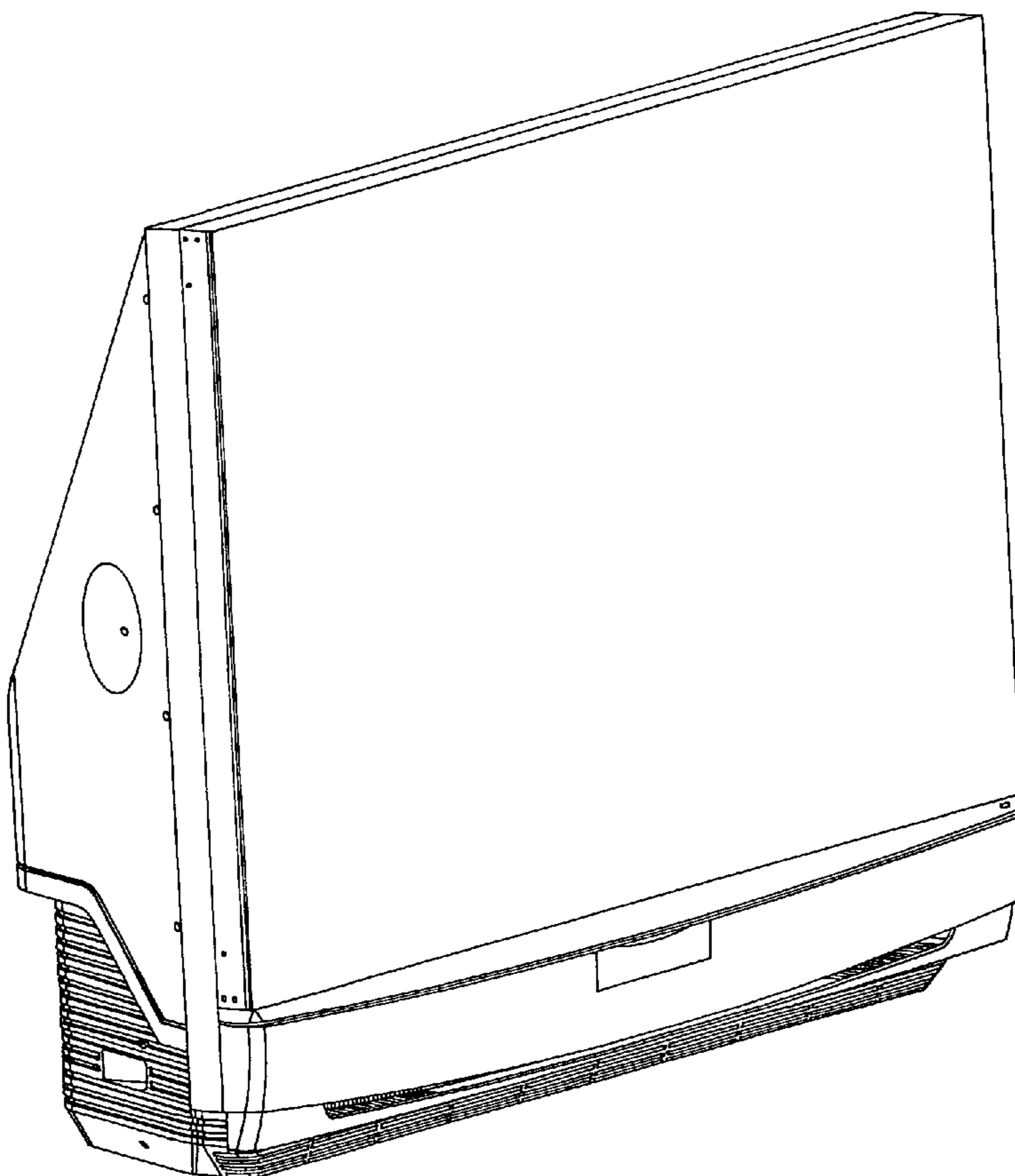
(57) **CLAIM**

The ornamental design for rear projection television (RPTV), as shown and described.

DESCRIPTION

FIG. 1 is a perspective view of rear projection television (RPTV) showing our new design;
 FIG. 2 is a front elevational view thereof;
 FIG. 3 is a rear elevational view thereof;
 FIG. 4 is a left side elevational view thereof;
 FIG. 5 is a right side elevational view thereof;
 FIG. 6 is a top plan view thereof; and,
 FIG. 7 is a bottom plan view thereof.

1 Claim, 7 Drawing Sheets



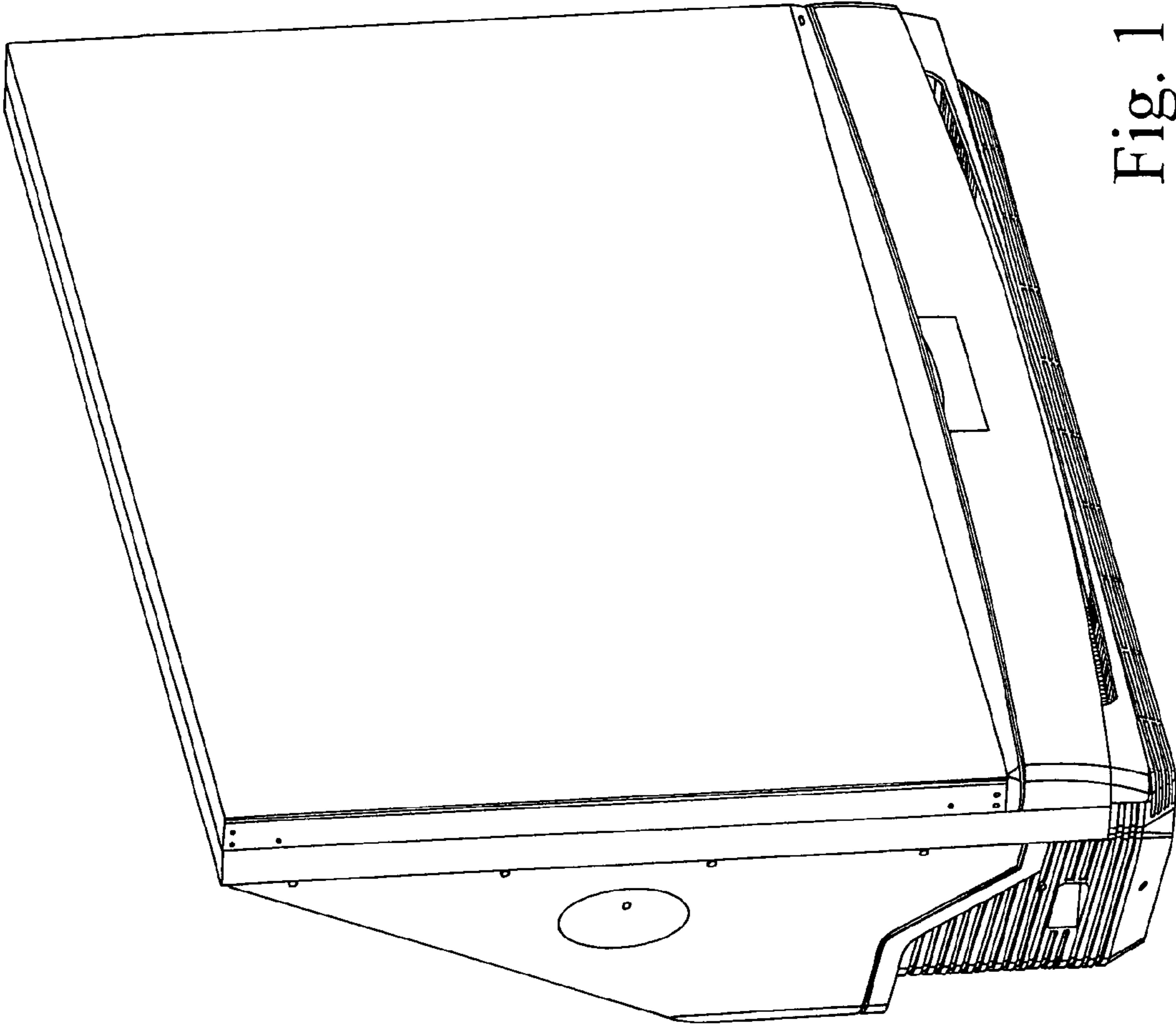


Fig. 1

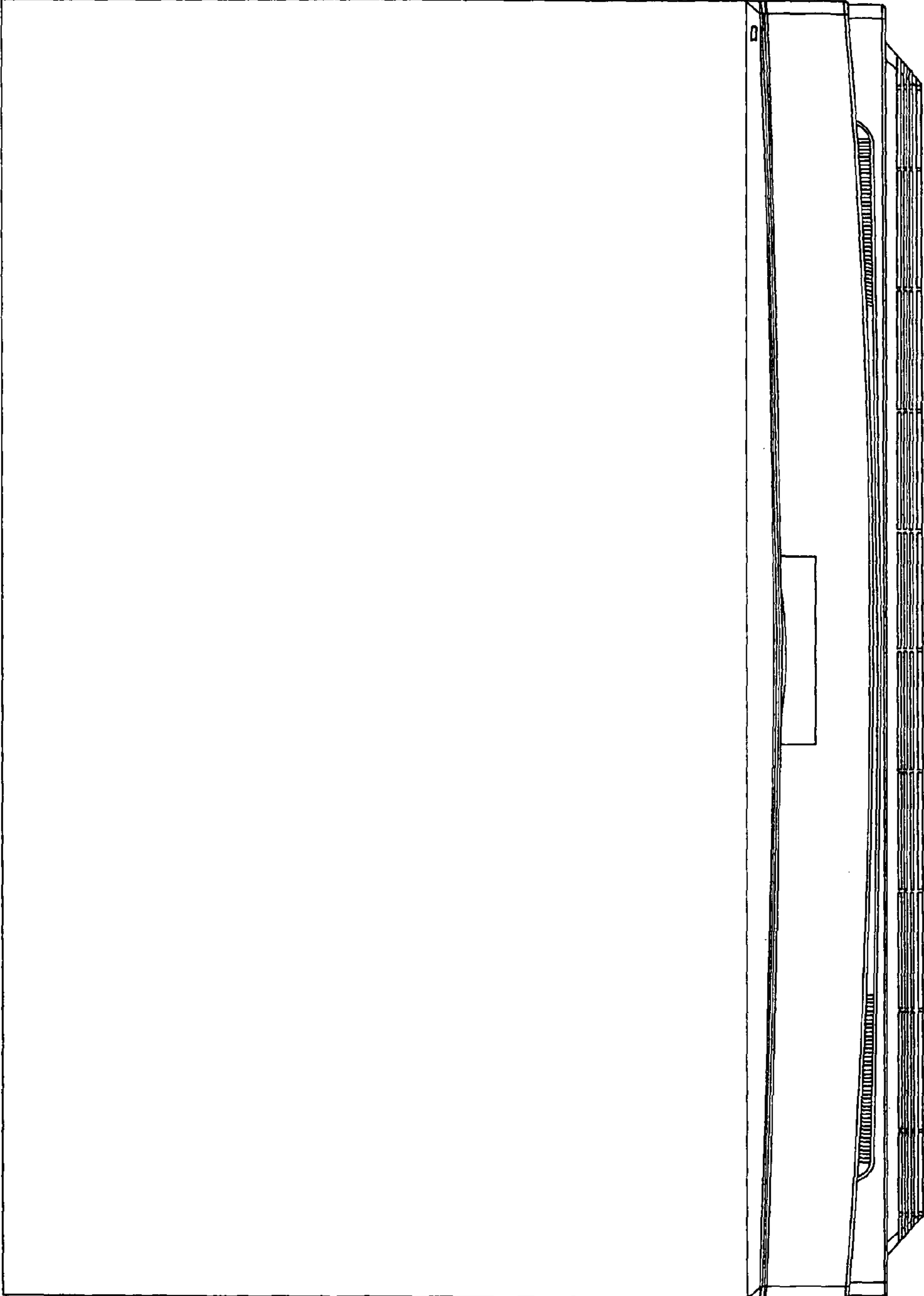


Fig. 2

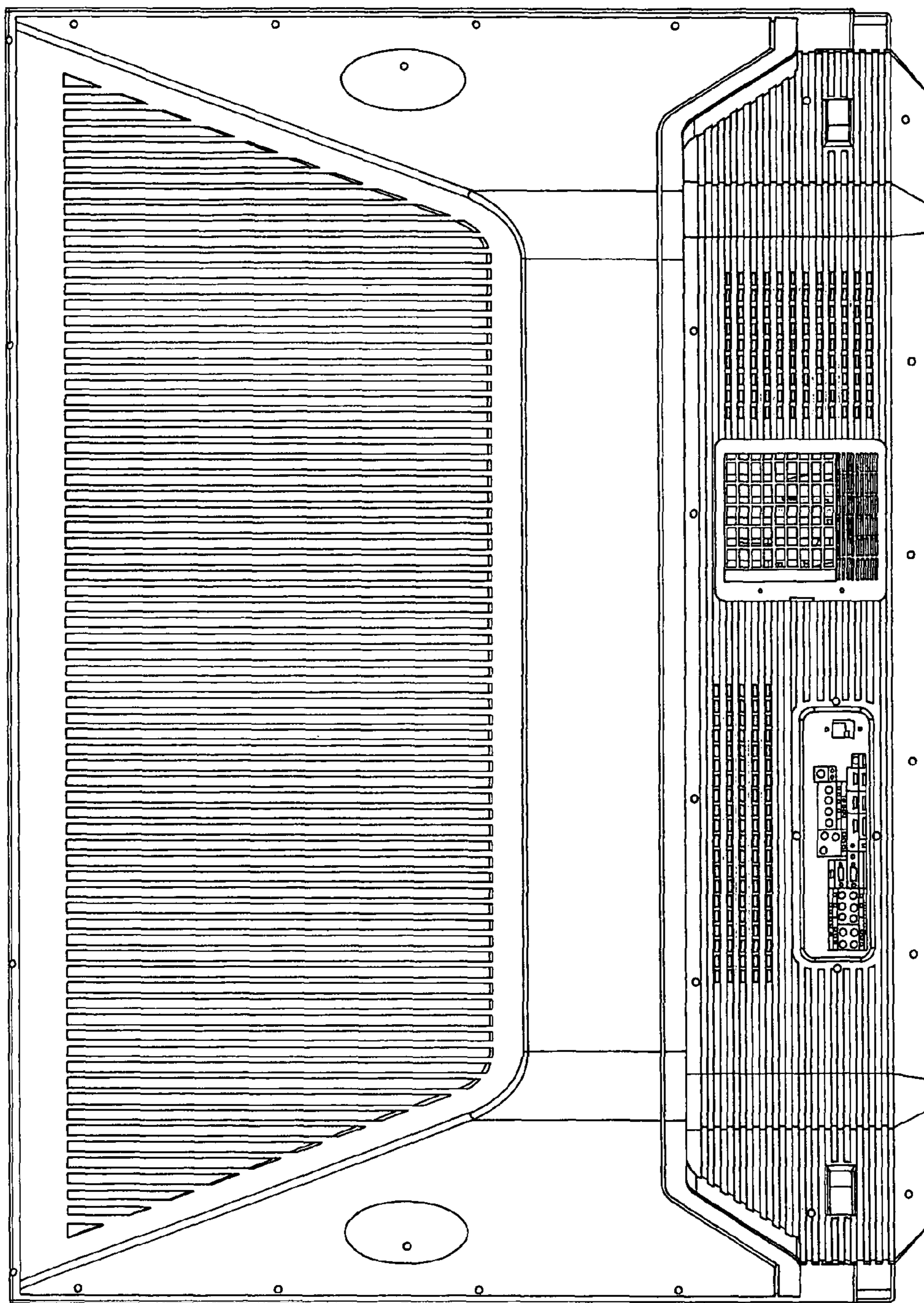


Fig. 3

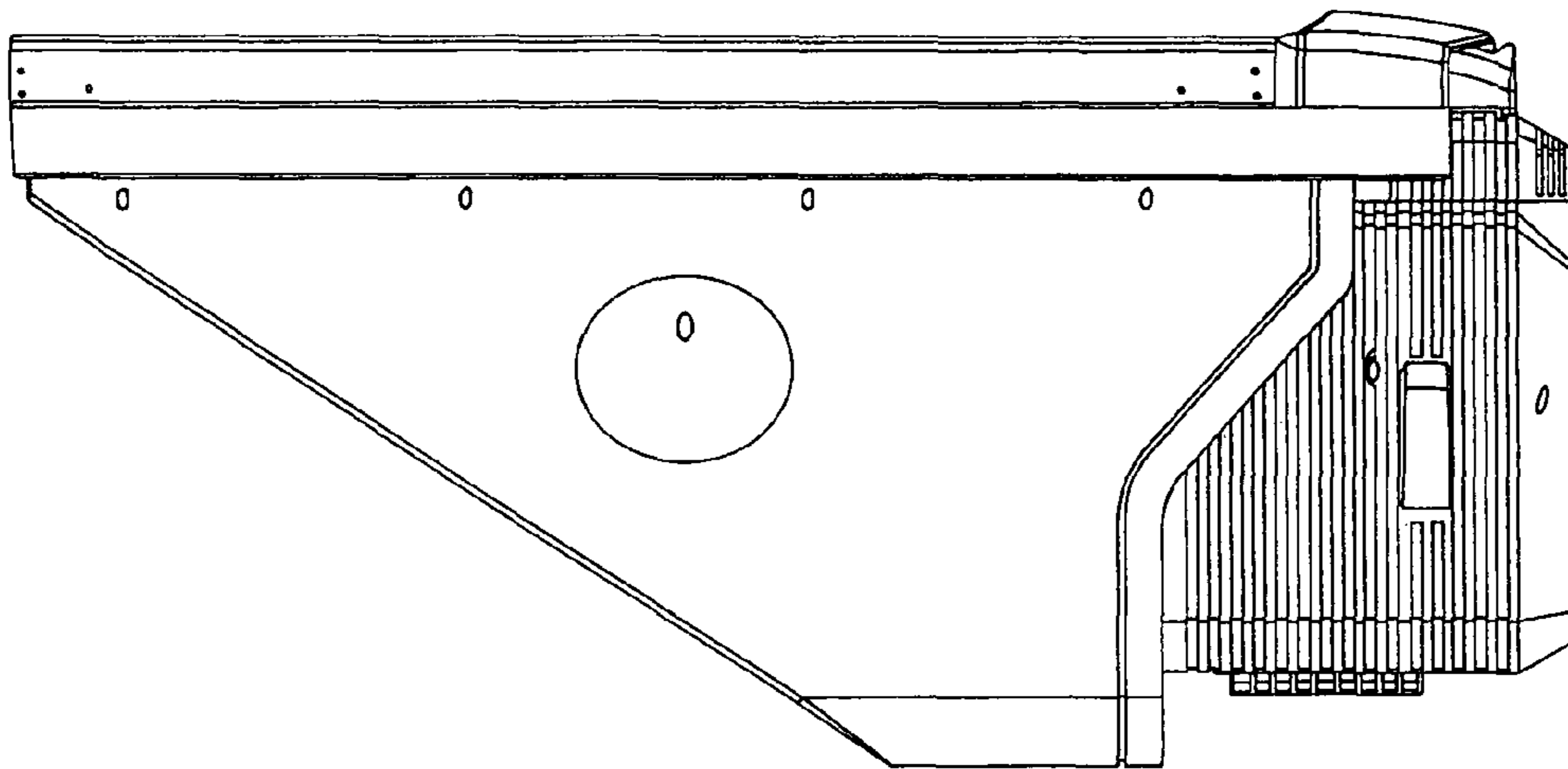


Fig. 4

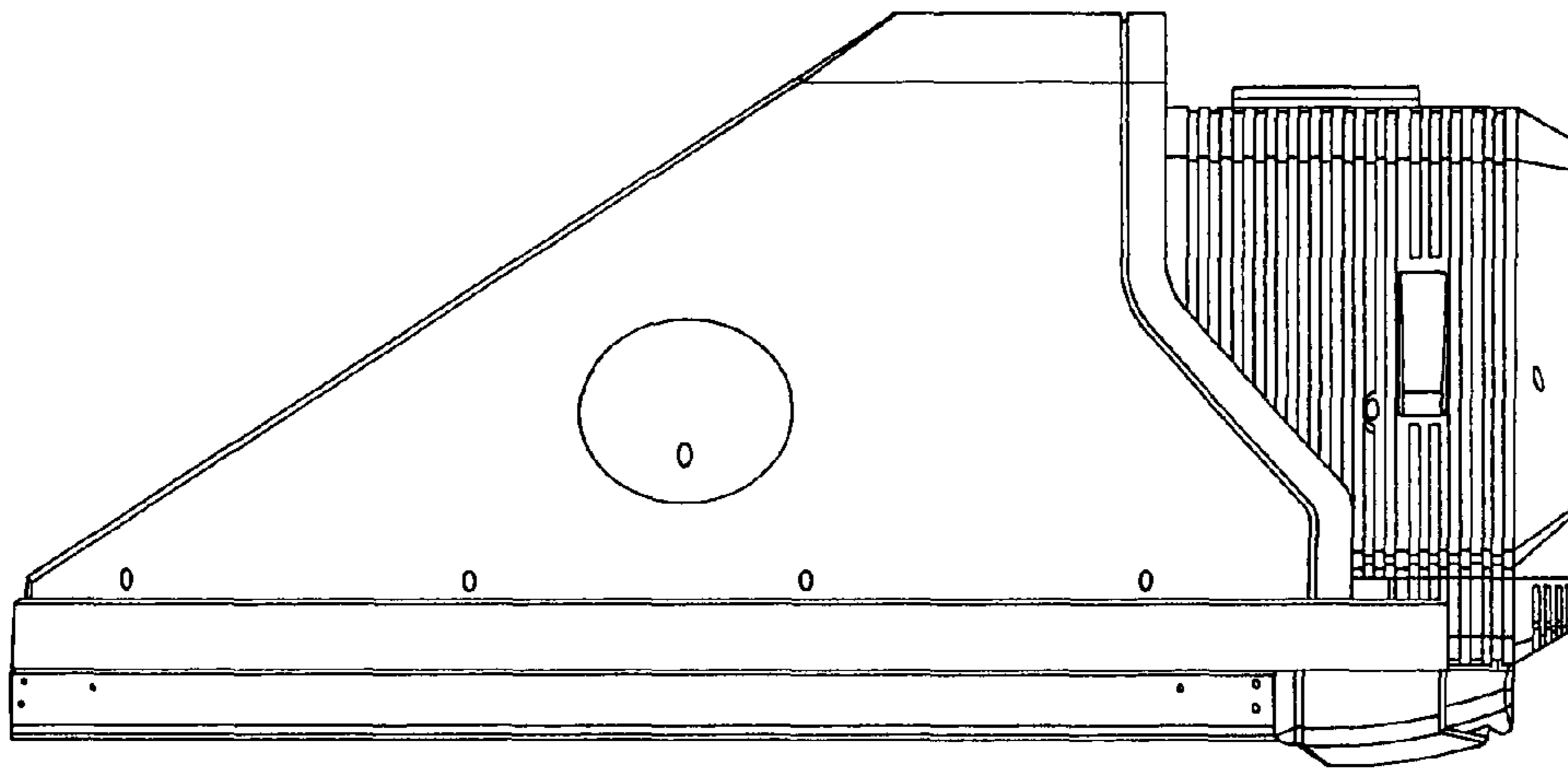


Fig. 5

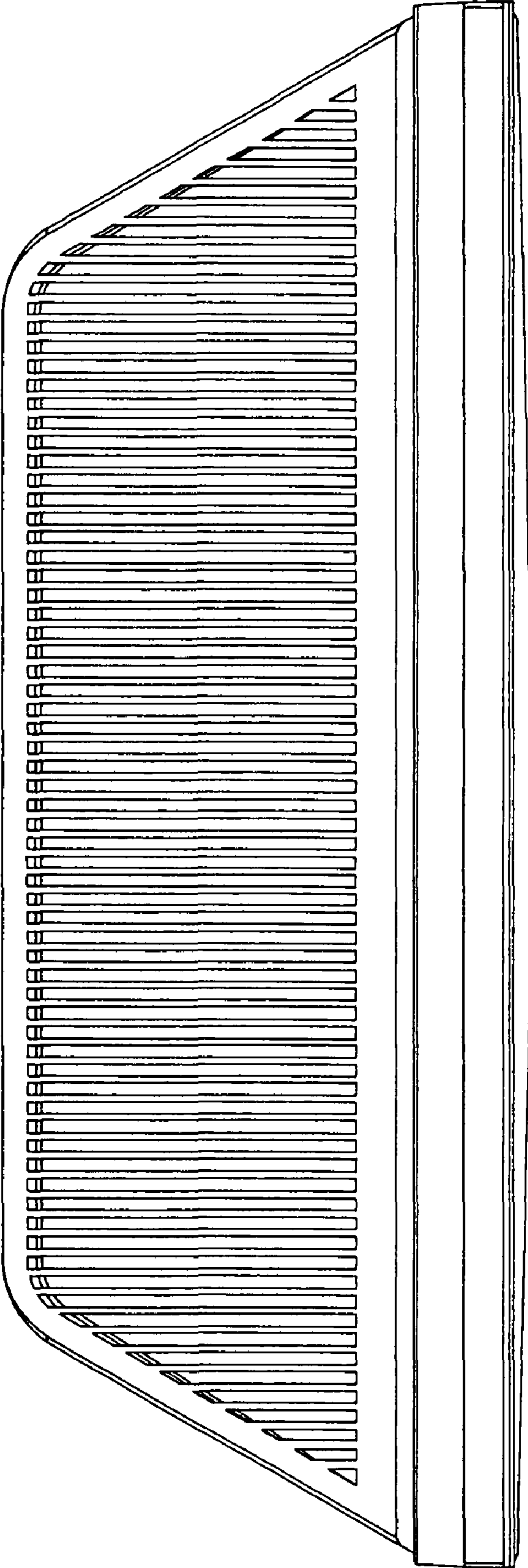


Fig. 6

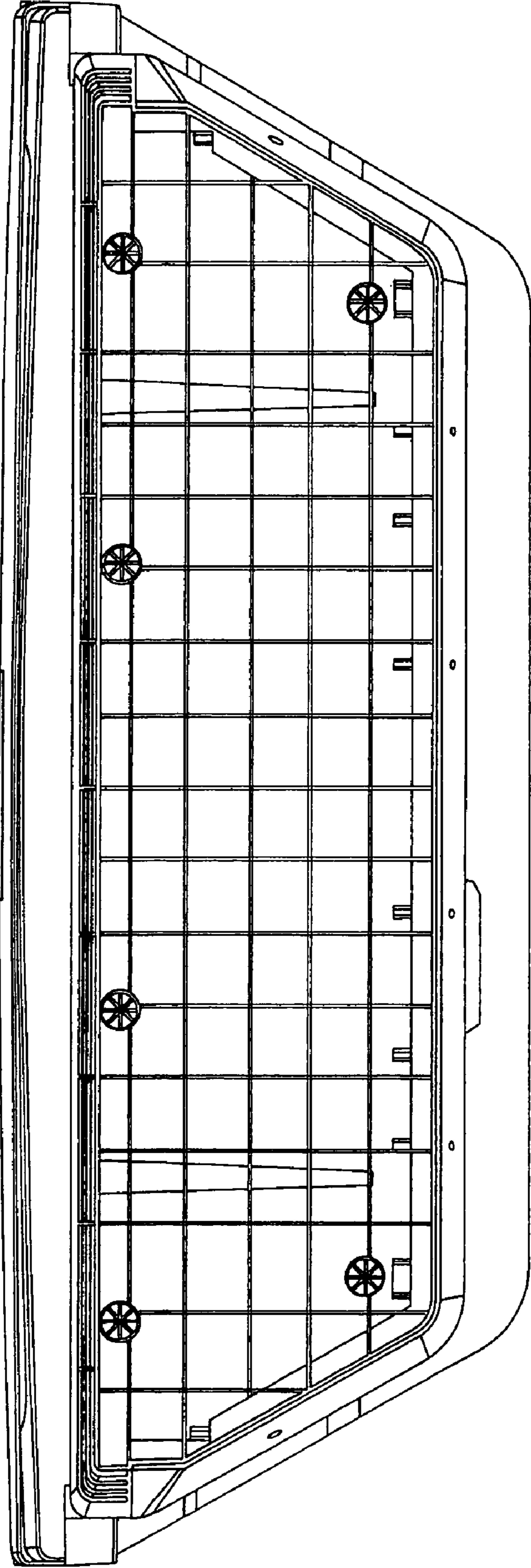


Fig. 7