



US00D635943S

(12) **United States Design Patent**
Kim et al.

(10) **Patent No.:** **US D635,943 S**
(45) **Date of Patent:** **** Apr. 12, 2011**

(54) **TELEVISION**

(75) Inventors: **Yong Soo Kim**, Seoul (KR); **Sang Won Yoon**, Seoul (KR); **Yong Ho Lee**, Seoul (KR)

(73) Assignee: **LG Electronics Inc.**, Seoul (KR)

(**) Term: **14 Years**

(21) Appl. No.: **29/364,733**

(22) Filed: **Jun. 28, 2010**

(30) **Foreign Application Priority Data**

Dec. 30, 2009 (KR) 30-2009-0057683

(51) **LOC (9) Cl.** **14-03**

(52) **U.S. Cl.** **D14/126; D14/134**

(58) **Field of Classification Search** D14/125-134,
D14/239, 371, 136, 374-377, 440, 450, 448,
D14/336, 342; 312/7.2; 348/836, 838, 180,
348/184, 325, 739; 341/12; 248/917-924,
248/465; 345/104, 133, 156, 168, 87, 173;
720/605, 669, 600, 655; 369/99, 197; 455/344,
455/347; D21/329, 515, 577, 622, 333, 433,
D21/448, 452, 450, 331; D6/477, 479, 300;
273/148 B; 446/484, 175, 356; D10/15,
D10/26

See application file for complete search history.

(56) **References Cited**

U.S. PATENT DOCUMENTS

D505,403 S *	5/2005	Kita	D14/126
D541,237 S *	4/2007	Kita	D14/126
D553,592 S *	10/2007	Asanuma	D14/134
D585,401 S *	1/2009	Otani	D14/134
D596,596 S *	7/2009	Honda	D14/126
D624,893 S *	10/2010	Kasuga et al.	D14/126

* cited by examiner

Primary Examiner — Raphael Barkai

(74) *Attorney, Agent, or Firm* — Birch, Stewart, Kolasch & Birch, LLP

(57) **CLAIM**

The ornamental design for a television, as shown and described.

DESCRIPTION

FIG. 1 is a top, front, perspective view of a television showing our new design;

FIG. 2 is a front view thereof;

FIG. 3 is a rear view thereof;

FIG. 4 is a left side view thereof, the right side view being a mirror image thereof;

FIG. 5 is a top view thereof;

FIG. 6 is a bottom thereof; and,

FIG. 7 is a reference view thereof.

The broken lines shown in FIG. 7 are for illustrative purposes only and form no part of the claimed design.

1 Claim, 4 Drawing Sheets

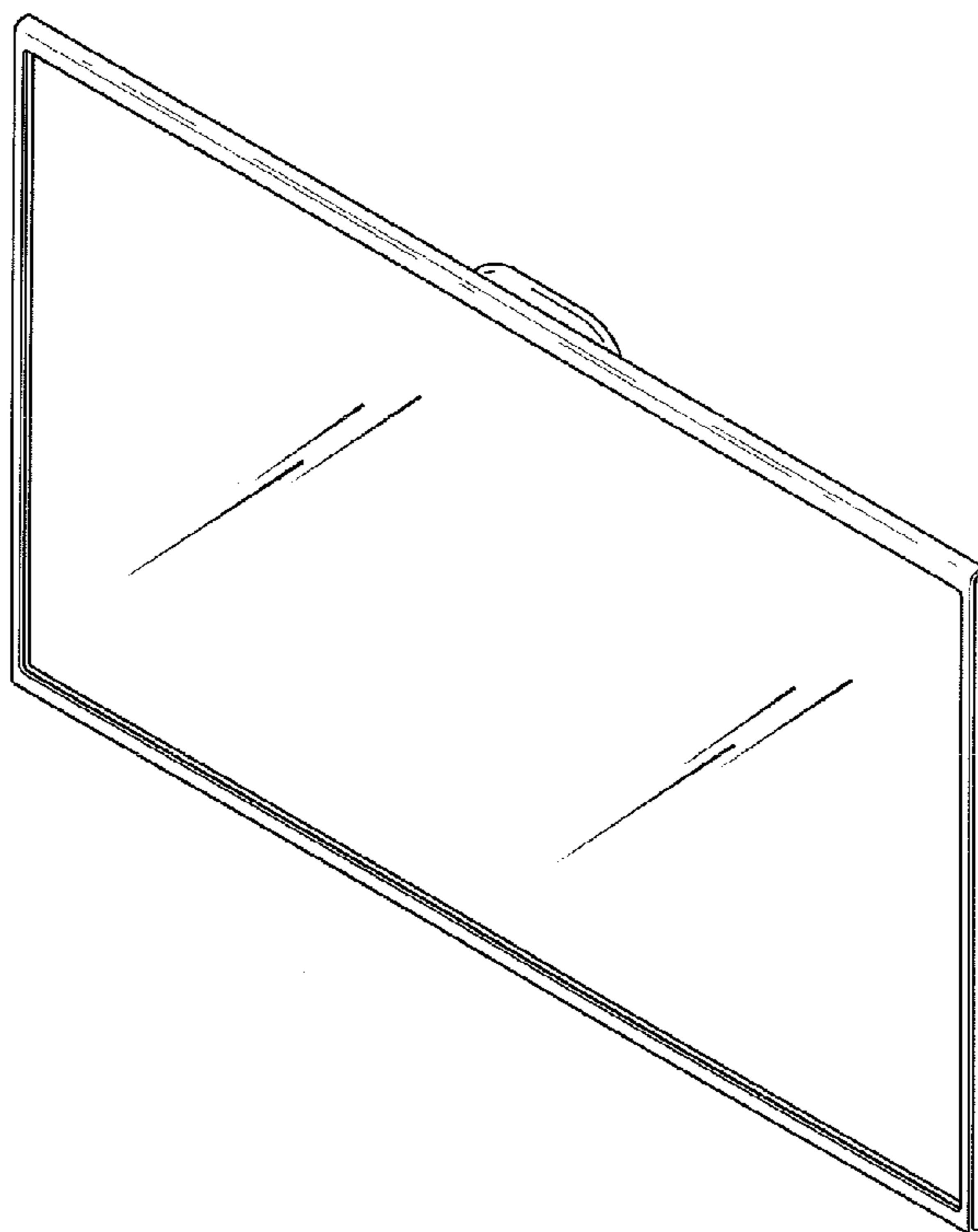


FIG. 1

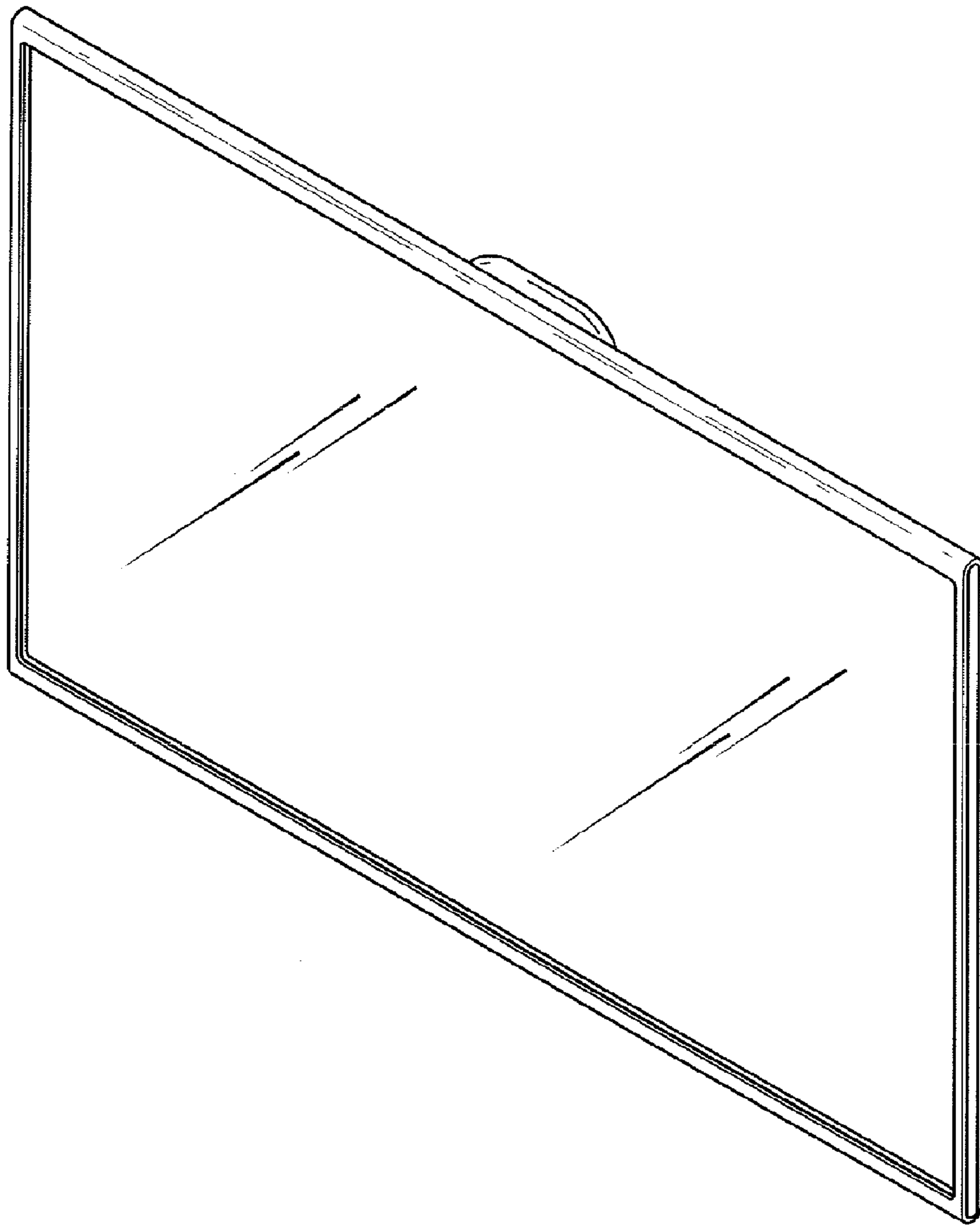


FIG. 2

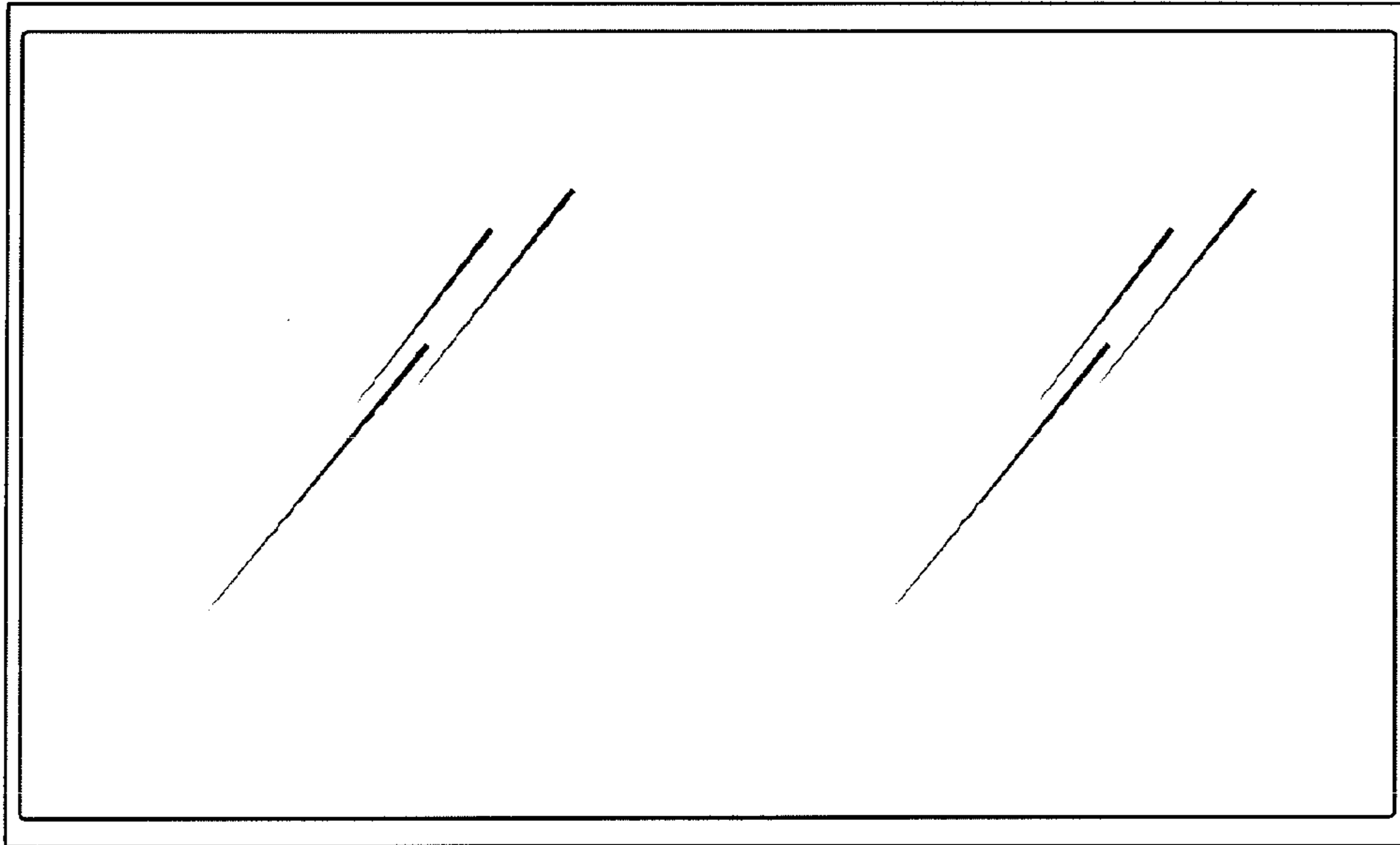


FIG. 3

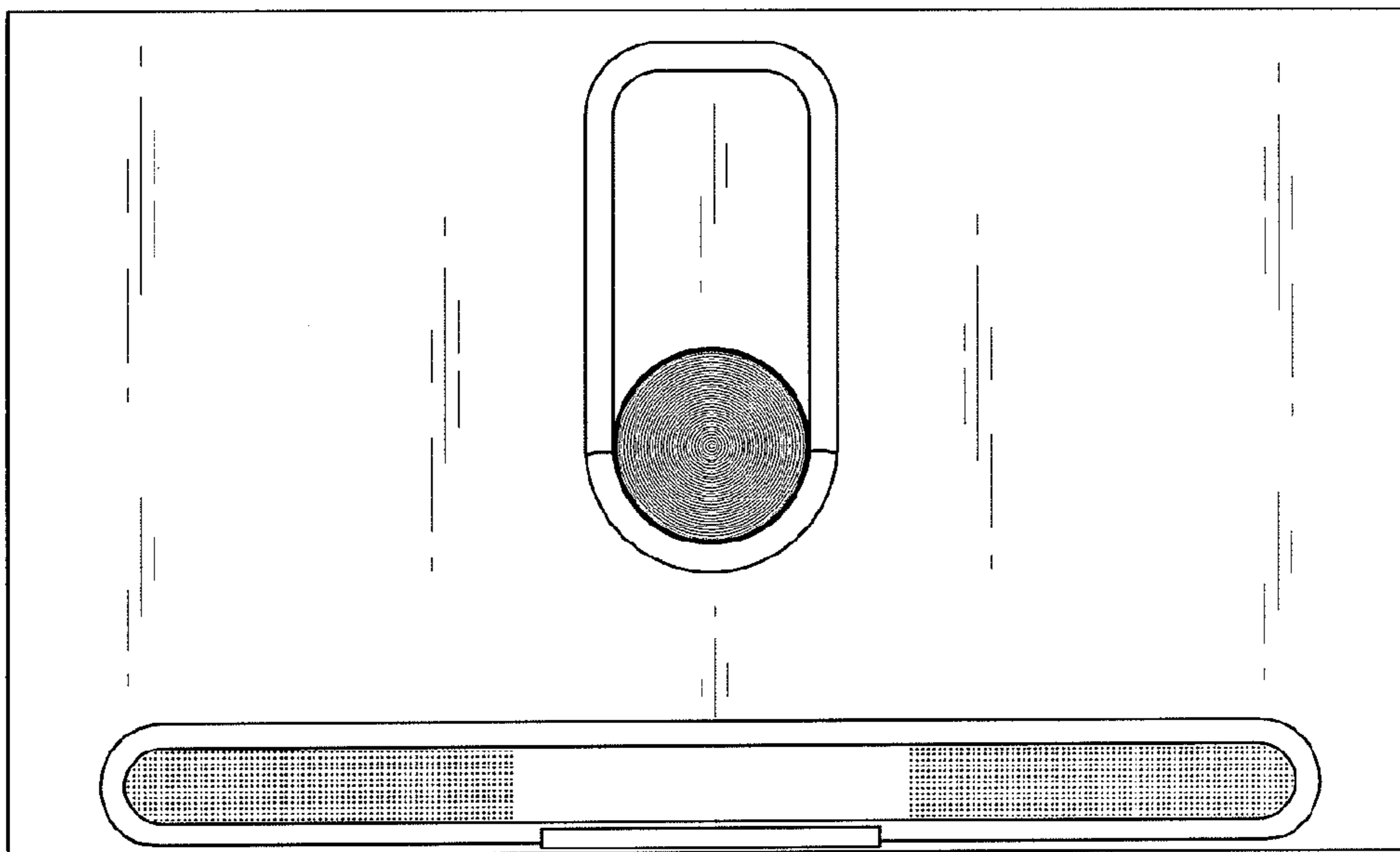


FIG. 4



FIG. 5



FIG. 6

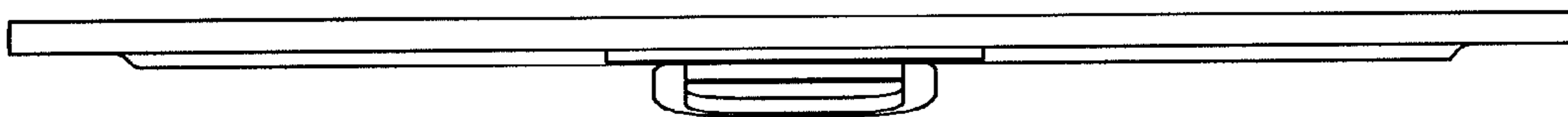


FIG. 7

