

US00D635939S

(12) **United States Design Patent**
Chen

(10) **Patent No.:** **US D635,939 S**

(45) **Date of Patent:** **** Apr. 12, 2011**

(54) **LIGHT EMITTING DIODE ASSEMBLY**

(75) Inventor: **Yu-Hsuan Chen**, Tucheng (TW)

(73) Assignee: **Everlight Electronics Co., Ltd.**,
Tucheng, Taipei County (TW)

(**) Term: **14 Years**

(21) Appl. No.: **29/357,853**

(22) Filed: **Mar. 18, 2010**

(30) **Foreign Application Priority Data**

Sep. 22, 2009 (TW) 98304459

(51) **LOC (9) Cl.** **13-03**

(52) **U.S. Cl.** **D13/180**

(58) **Field of Classification Search** D13/180,
D13/182; 362/555, 800; 257/79, 80, 81,
257/88, 89, 95, 98, 99, 100, E33.058; 313/483,
313/498, 500

See application file for complete search history.

(56) **References Cited**

U.S. PATENT DOCUMENTS

D278,049 S *	3/1985	Takahashi et al.	D13/182
D364,604 S *	11/1995	Tanaka et al.	D13/165
D367,848 S *	3/1996	Harada et al.	D13/165
5,763,900 A *	6/1998	Wang	257/81
6,147,367 A *	11/2000	Yang et al.	257/88
7,009,267 B2 *	3/2006	Honboh	257/433
7,244,922 B2 *	7/2007	Honboh	250/214 R
D564,461 S *	3/2008	Kim et al.	D13/180
7,339,196 B2 *	3/2008	Chiang	257/81
D568,830 S *	5/2008	Park et al.	D13/180
7,576,403 B2 *	8/2009	Chang	257/434

2005/0002613 A1 *	1/2005	Rehberger et al.	385/49
2008/0265274 A1 *	10/2008	Yang	257/100
2010/0133580 A1 *	6/2010	Pan	257/99

FOREIGN PATENT DOCUMENTS

JP	D1075232	6/2000
JP	D1291931	1/2007
KR	30-0422735	8/2006
KR	30-0464942	11/2007
TW	D126928	1/1997
TW	D125586	10/2008

OTHER PUBLICATIONS

Notice of Allowance mailed for Taiwan application No. 098304459 on Jul. 15, 2010.

* cited by examiner

Primary Examiner — Selina Sikder

(74) *Attorney, Agent, or Firm* — Thomas, Kayden, Horstemeyer & Risley, LLP

(57) **CLAIM**

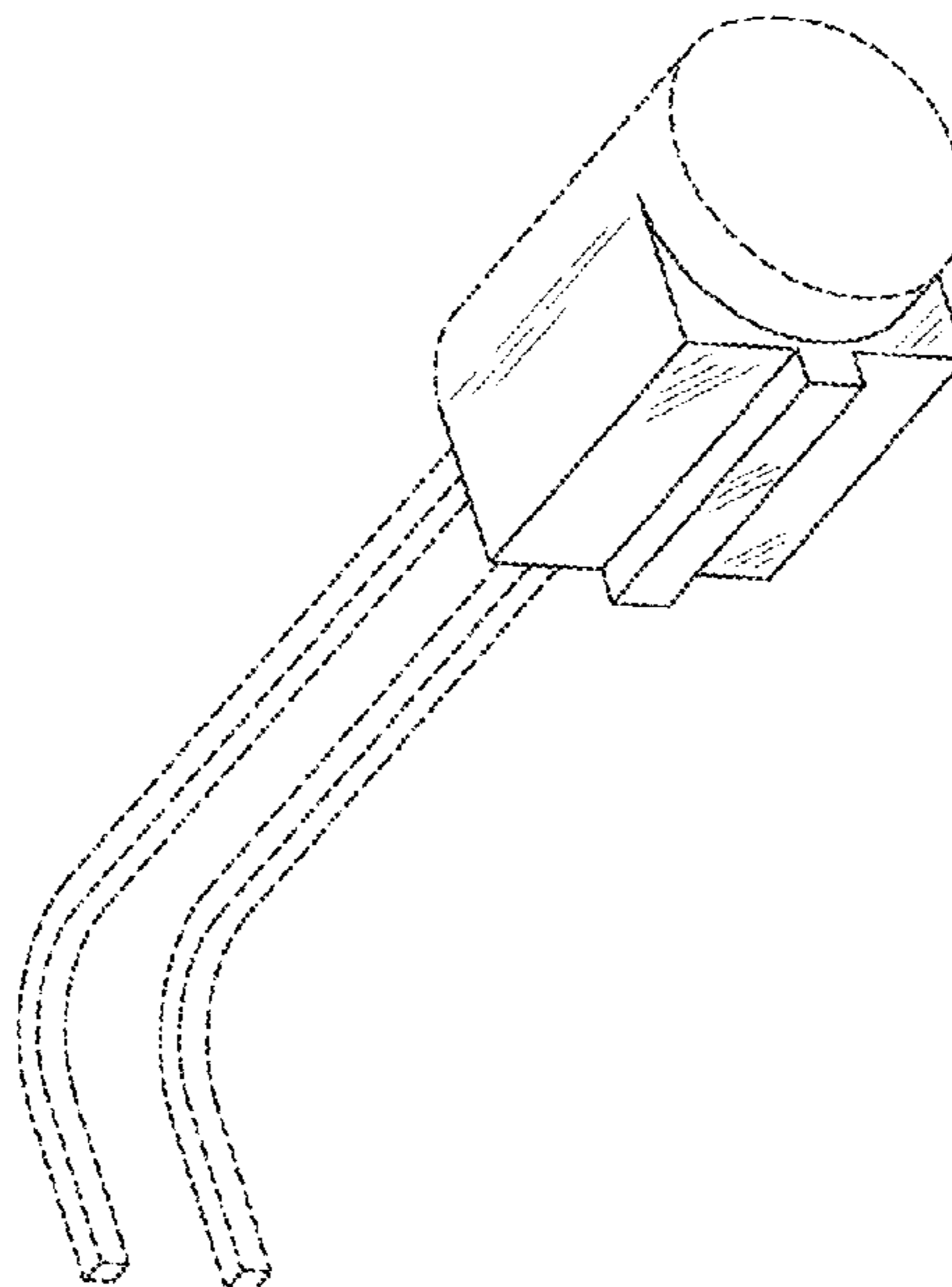
The ornamental design for a light emitting diode assembly, as shown and described.

DESCRIPTION

FIG. 1 is a perspective view of a light emitting diode assembly with a featured light fitting base;
FIG. 2 is a front elevational view thereof;
FIG. 3 is a rear elevational view thereof;
FIG. 4 is a left side elevational view thereof;
FIG. 5 is a right side elevational view thereof;
FIG. 6 is a top plan view thereof; and,
FIG. 7 is a bottom plan view thereof.

The broken lines are directed to environment and are for illustrative purpose only; the broken lines form no part of the claimed design.

1 Claim, 7 Drawing Sheets



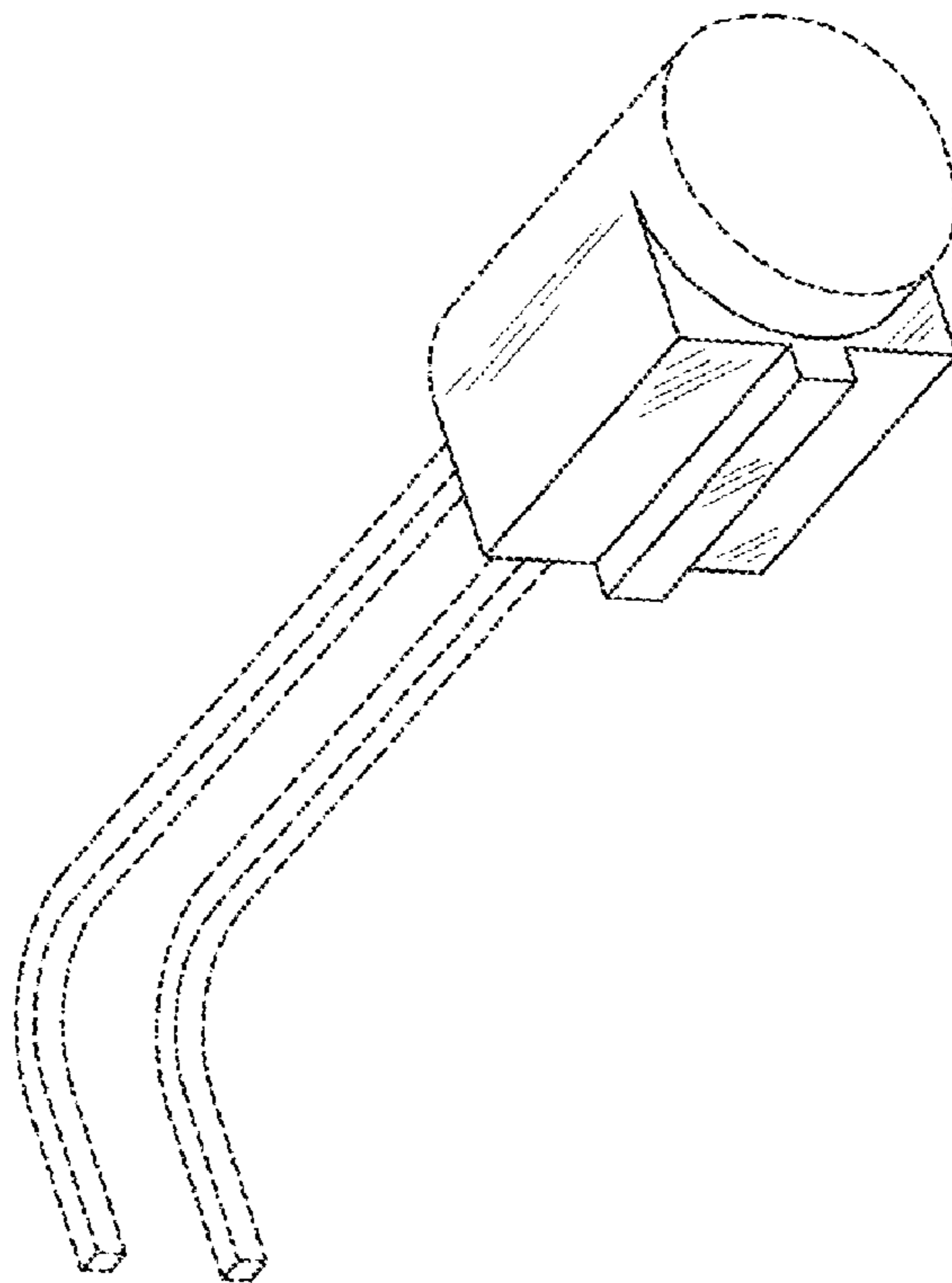


FIG.1

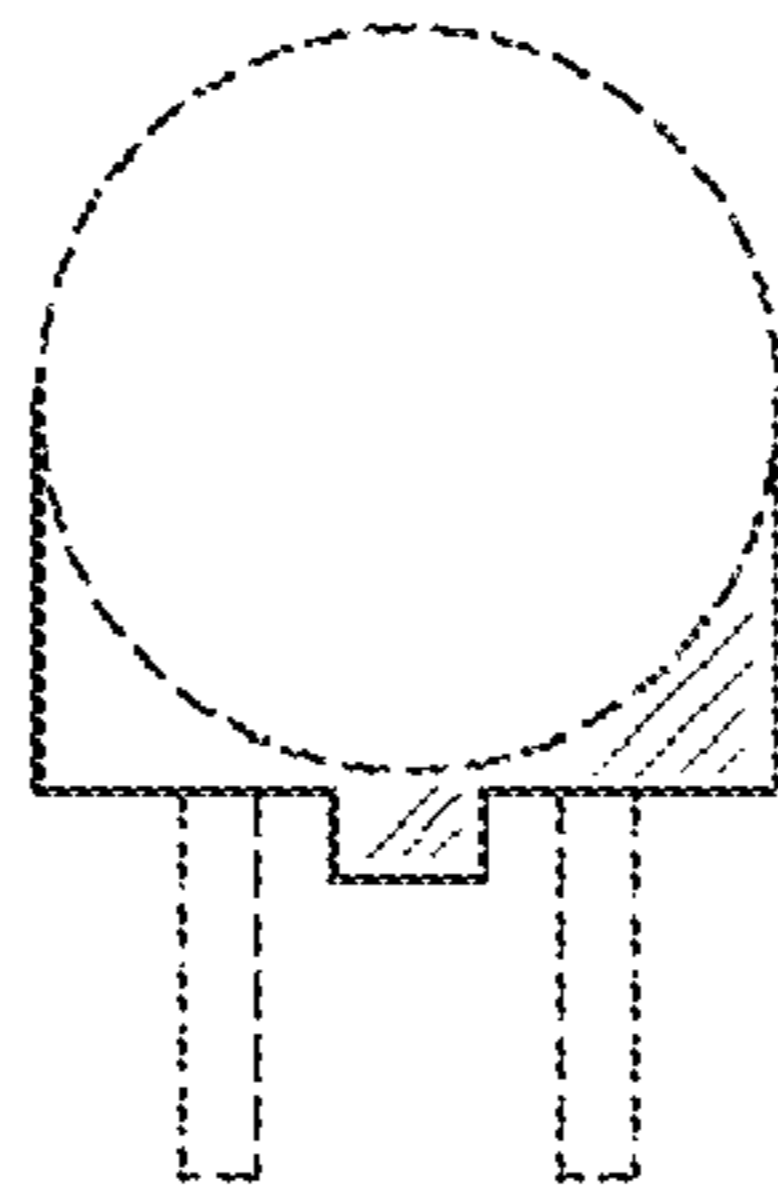


FIG.2

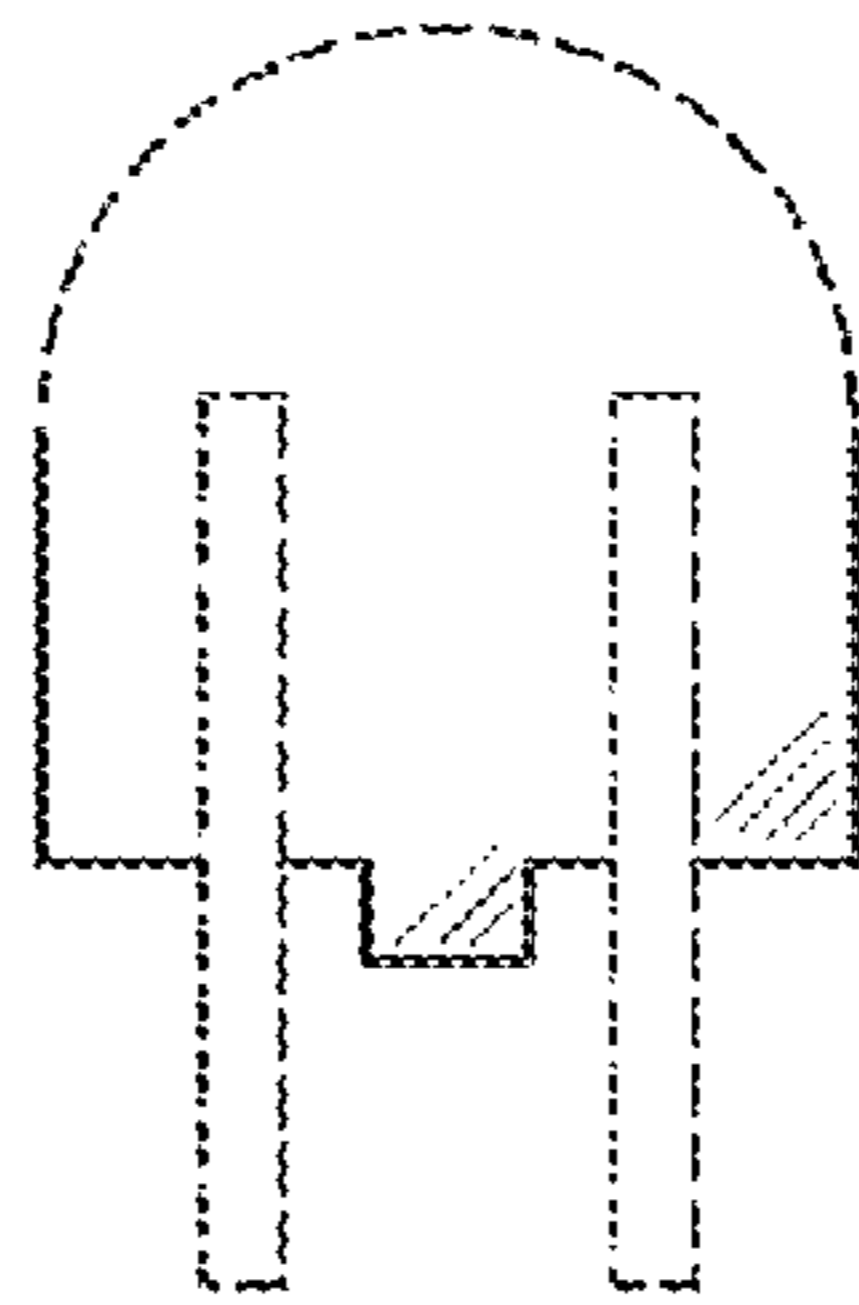


FIG. 3

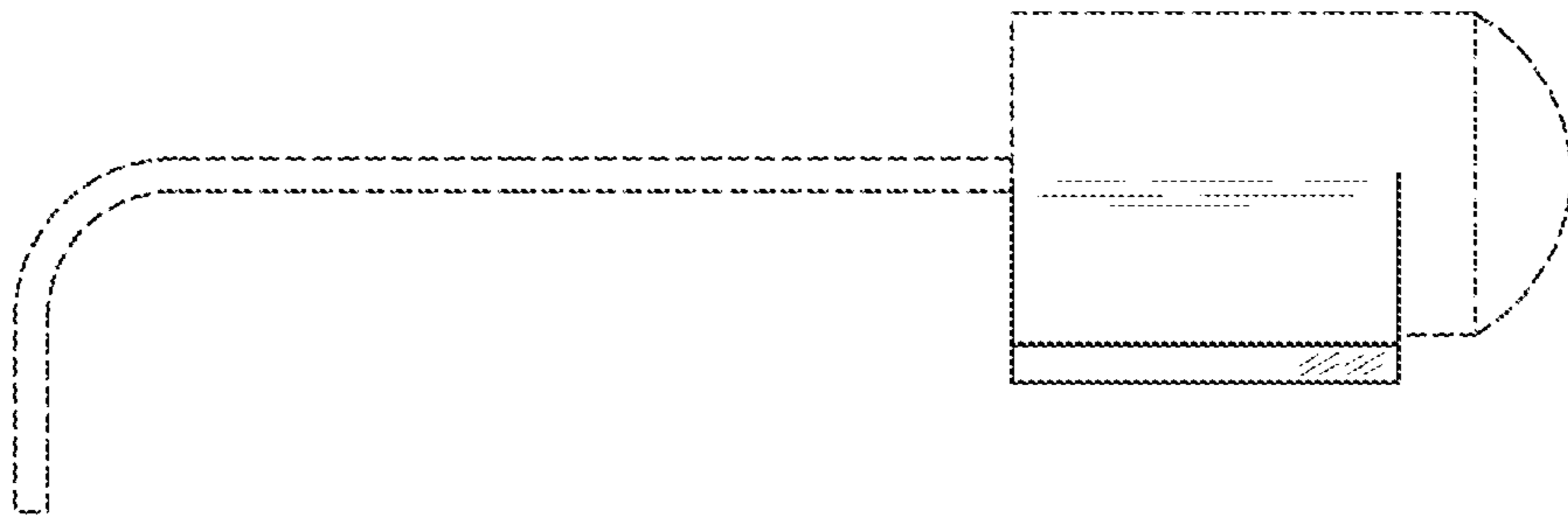


FIG. 4

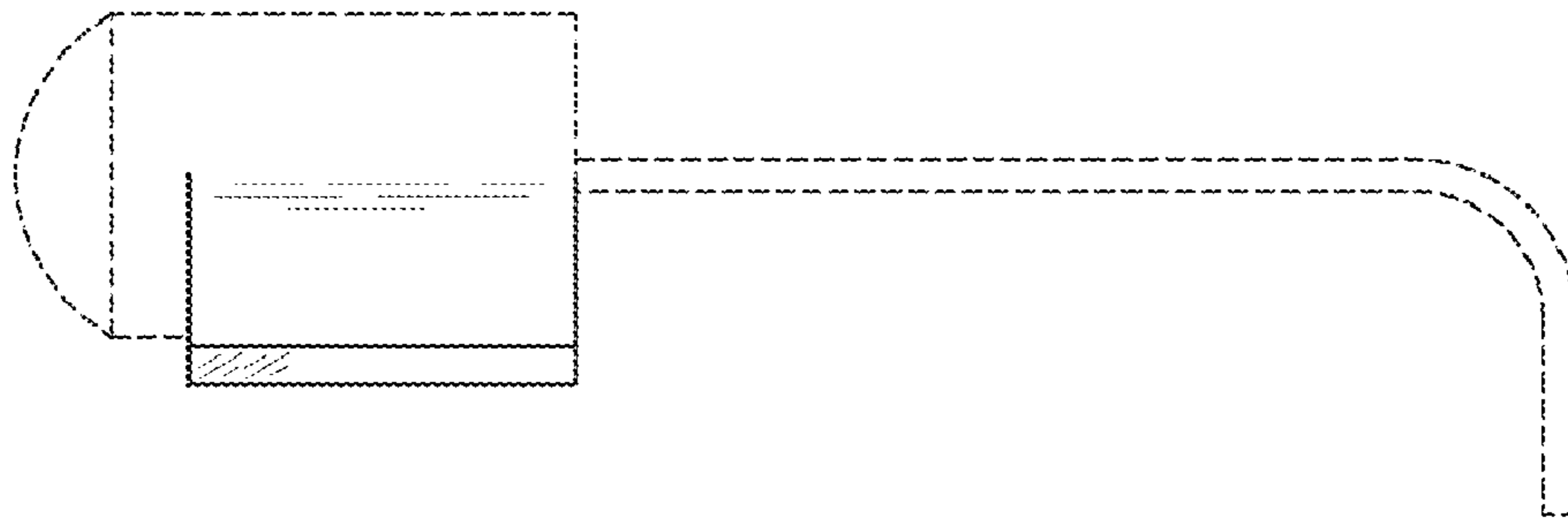


FIG. 5

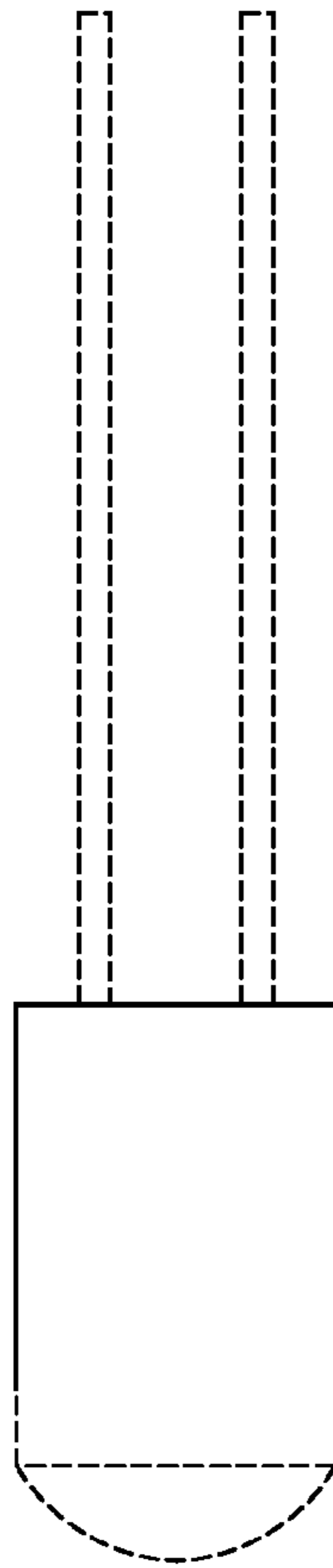


FIG.6

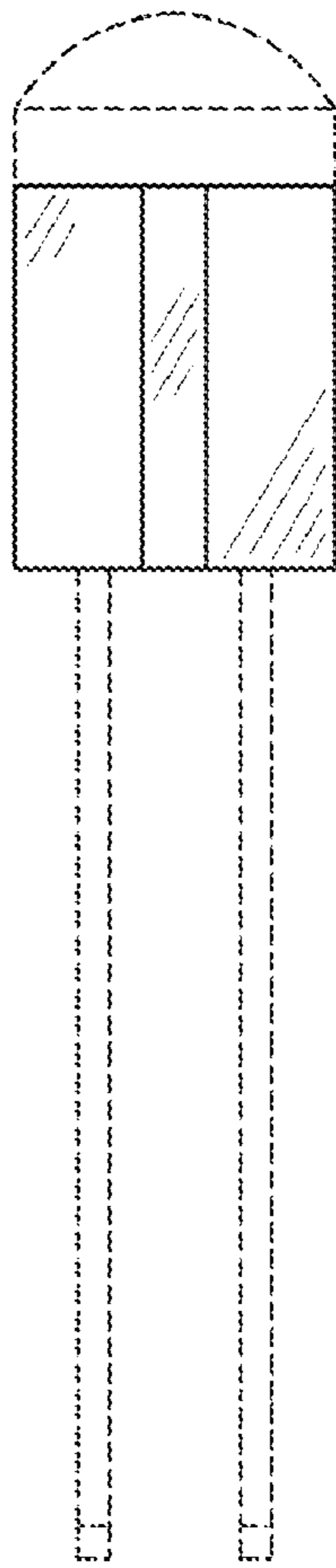


FIG. 7