



US00D635937S

(12) **United States Design Patent**  
**Aromin et al.**

(10) **Patent No.:** **US D635,937 S**

(45) **Date of Patent:** **\*\* \*Apr. 12, 2011**

(54) **GROUND FAULT CIRCUIT INTERRUPTER**

(75) Inventors: **Victor V. Aromin**, West Warwick, RI (US); **Luis Bettencourt**, Attleboro, MA (US)

(73) Assignee: **Tower Manufacturing Corporation**, Providence, RI (US)

(\*) Notice: This patent is subject to a terminal disclaimer.

(\*\*) Term: **14 Years**

(21) Appl. No.: **29/348,114**

(22) Filed: **Dec. 1, 2009**

(51) **LOC (9) Cl.** ..... **13-03**

(52) **U.S. Cl.** ..... **D13/160; D13/138.1**

(58) **Field of Classification Search** ..... D13/123, D13/133, 138.1, 138.2, 158, 160, 184, 199; 174/65 R, 77 R, 92, 42, 45, 50

See application file for complete search history.

(56) **References Cited**

U.S. PATENT DOCUMENTS

D364,826 S \* 12/1995 Wu ..... D10/75  
D400,172 S \* 10/1998 Aromin ..... D13/138.1  
D414,747 S \* 10/1999 Aromin ..... D13/160

D434,010 S \* 11/2000 Stekelenburg ..... D13/160  
D451,481 S 12/2001 MacKay  
D454,546 S \* 3/2002 MacKay ..... D13/160  
D511,468 S \* 11/2005 Aromin ..... D13/138.1  
D579,881 S 11/2008 Aromin  
2008/0094764 A1\* 4/2008 Zhang et al. .... 361/42

\* cited by examiner

*Primary Examiner* — Thomas J Johannes

(74) *Attorney, Agent, or Firm* — Kriegsman & Kriegsman

(57) **CLAIM**

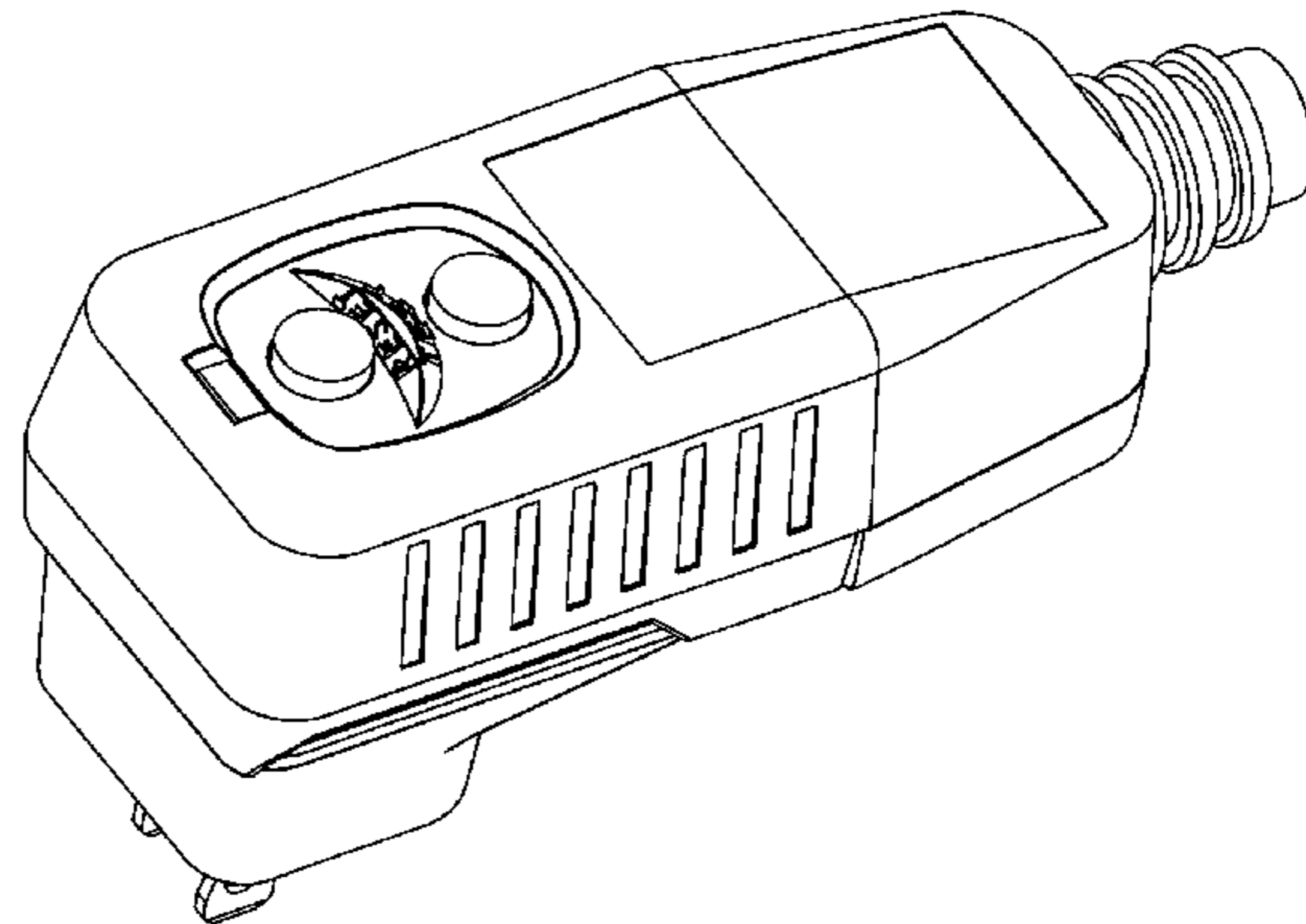
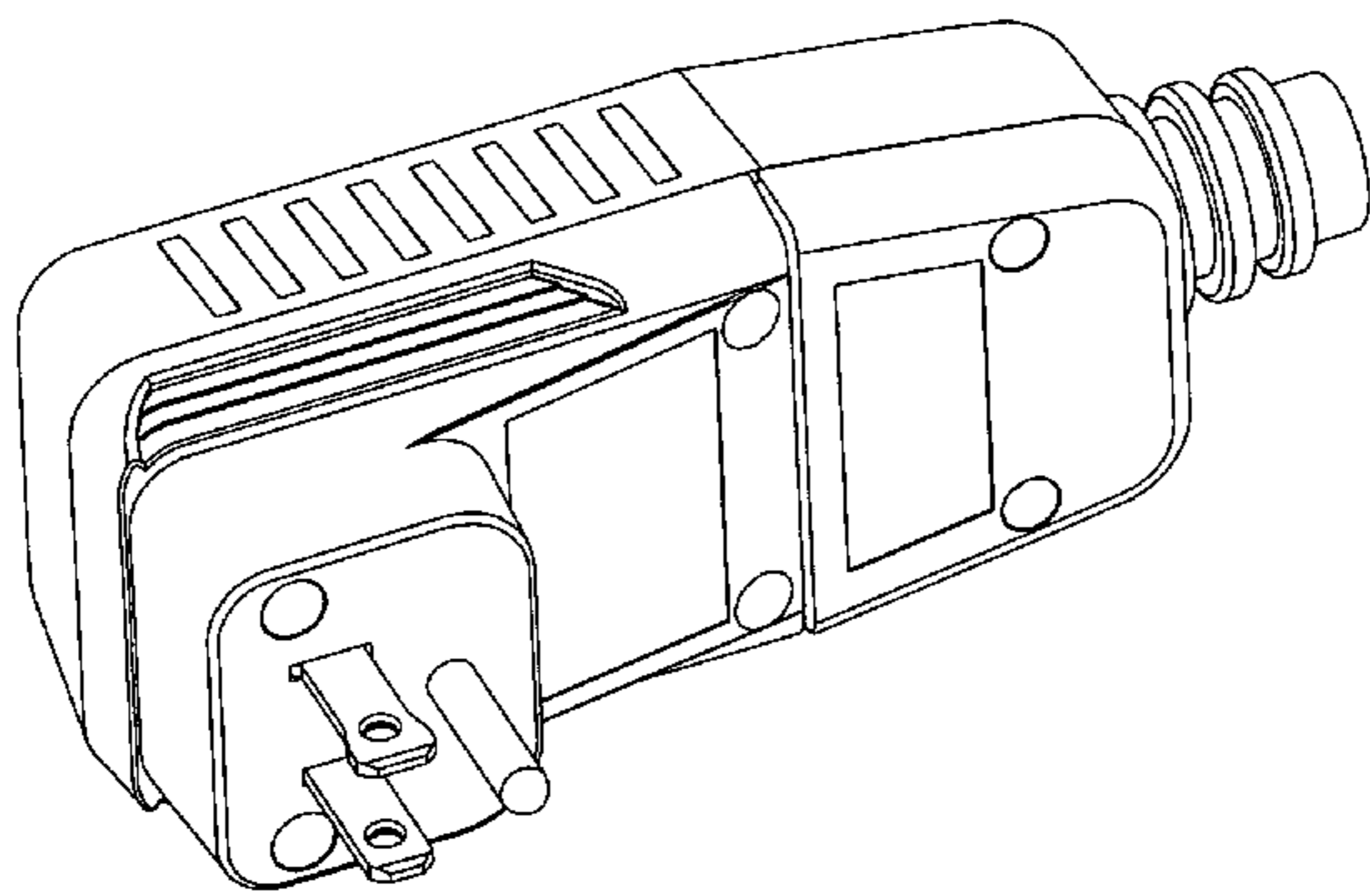
The ornamental design for a ground fault circuit interrupter, as shown and described.

**DESCRIPTION**

FIG. 1 is a bottom perspective view of a ground fault circuit interrupter showing our new design; FIG. 2 is a top perspective view thereof; FIG. 3 is a bottom plan view thereof; FIG. 4 is a front elevation view thereof; FIG. 5 is a top plan view thereof; FIG. 6 is a left side elevation view thereof; and, FIG. 7 is a right side elevation view thereof.

The broken line portion of the figure drawings is included to show unclaimed detail within the six screw holes of FIG. 3, and within the center of the power cord in FIG. 7 only, and forms no part of the claimed design.

**1 Claim, 7 Drawing Sheets**



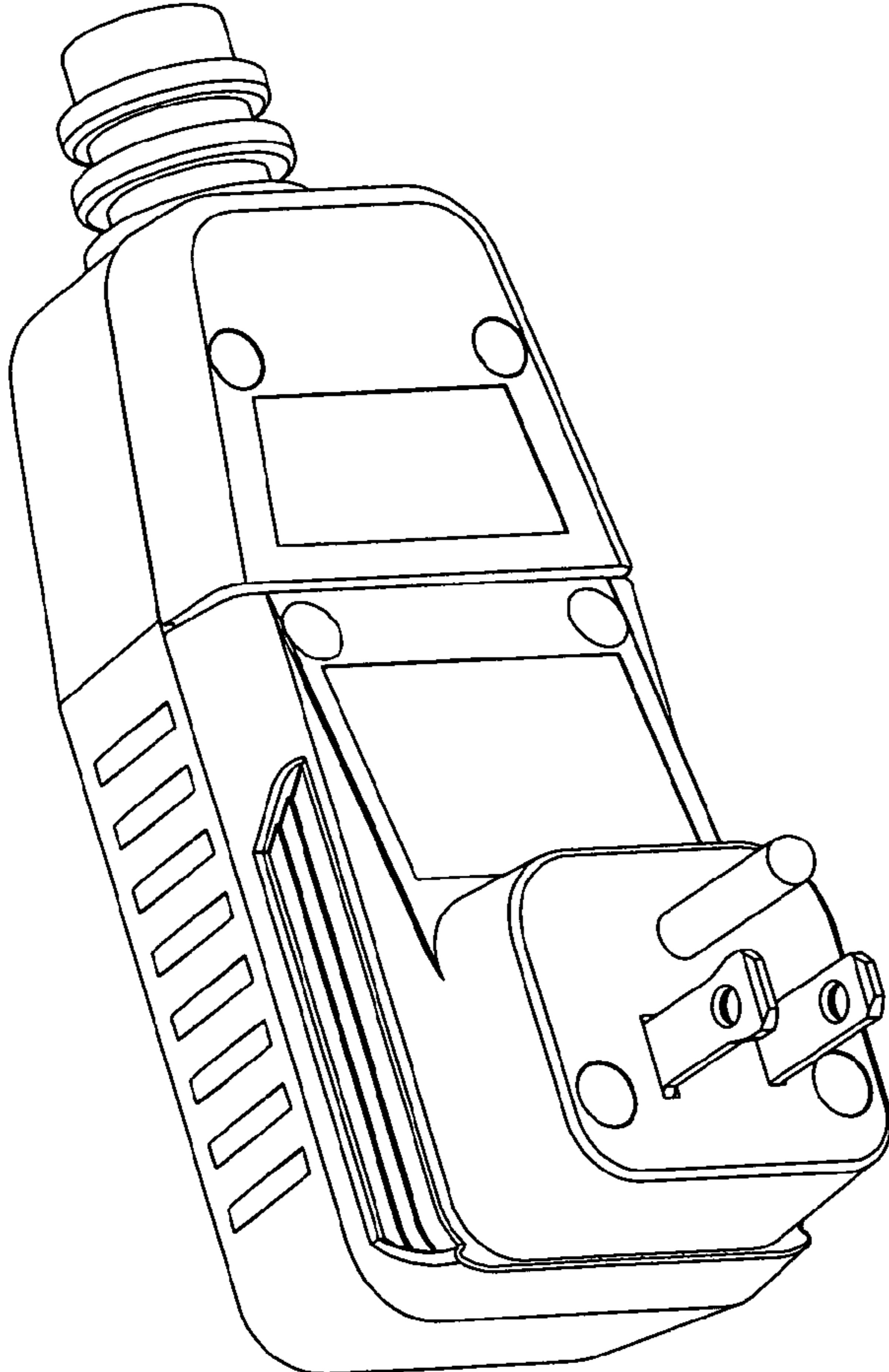


Fig. 1

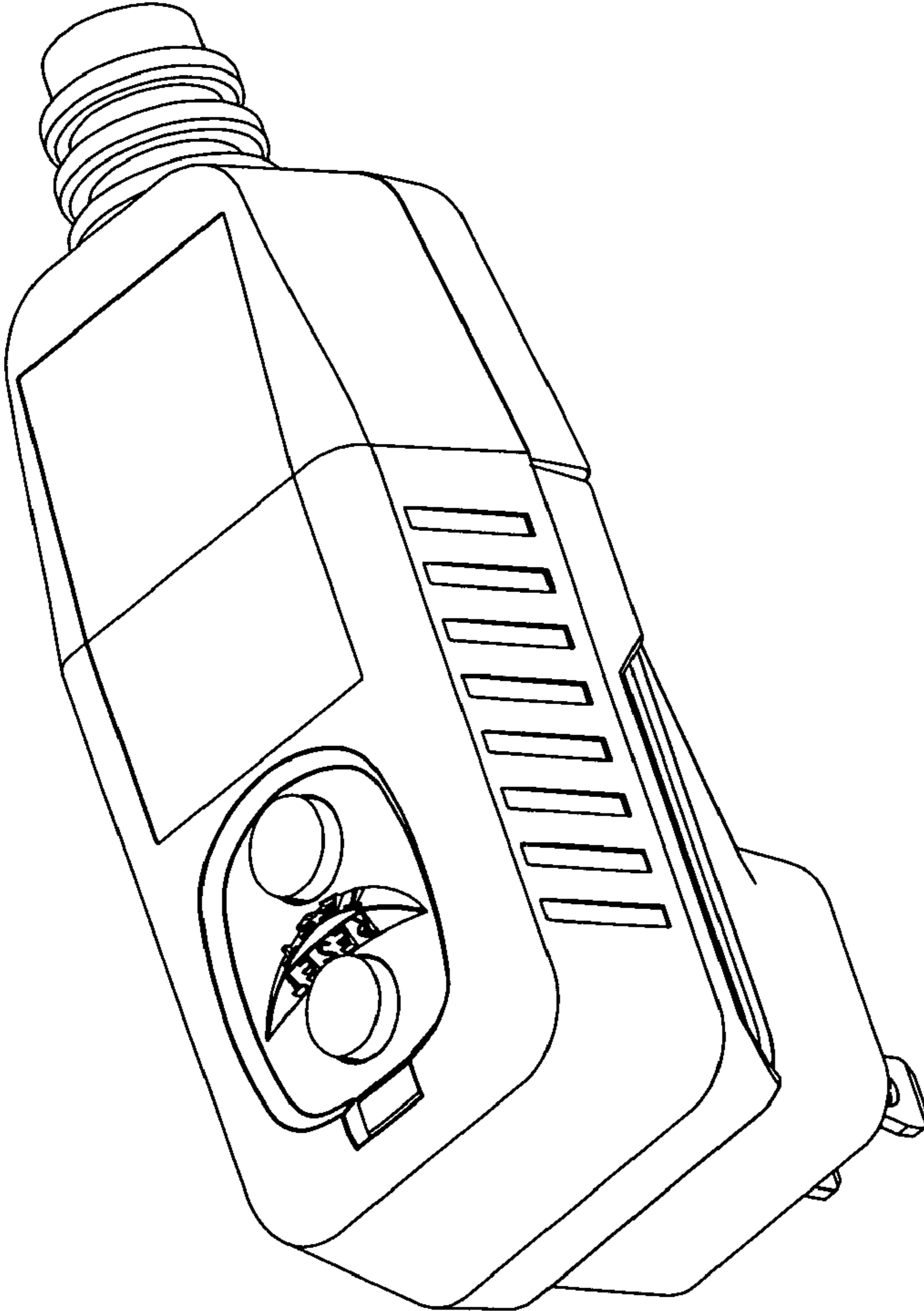


Fig. 2

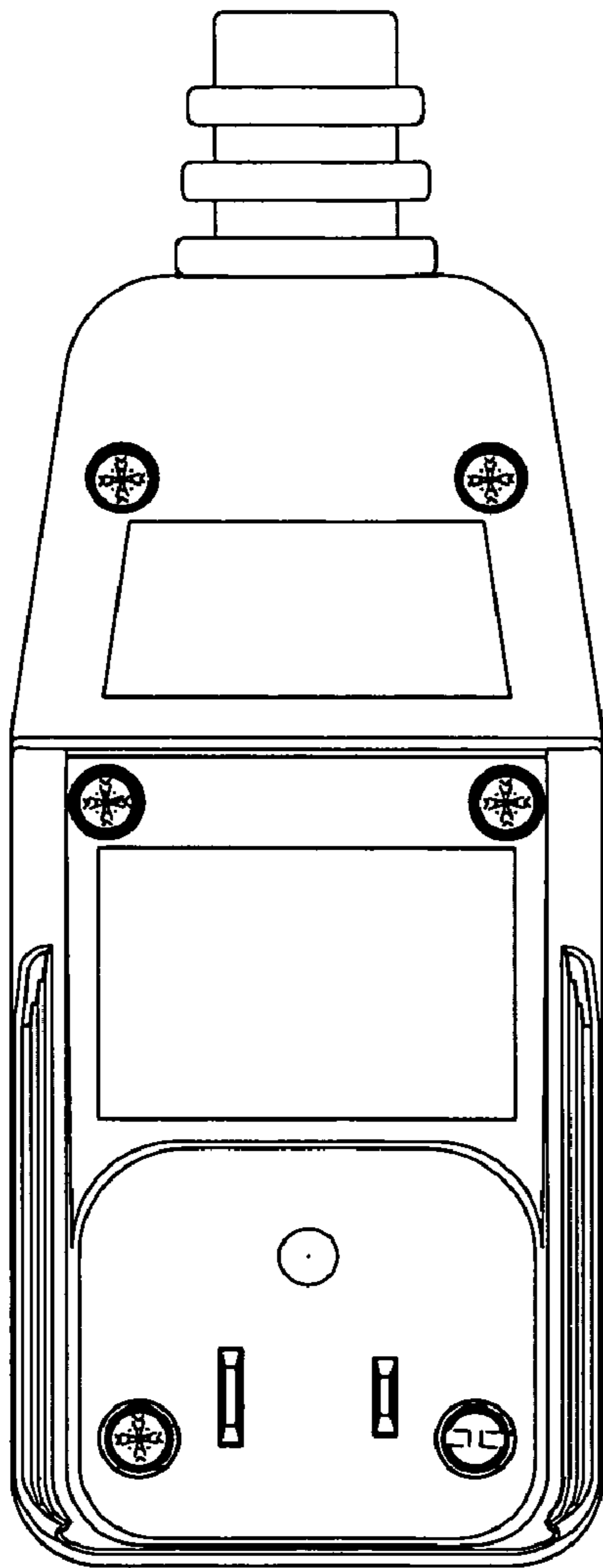


Fig. 3

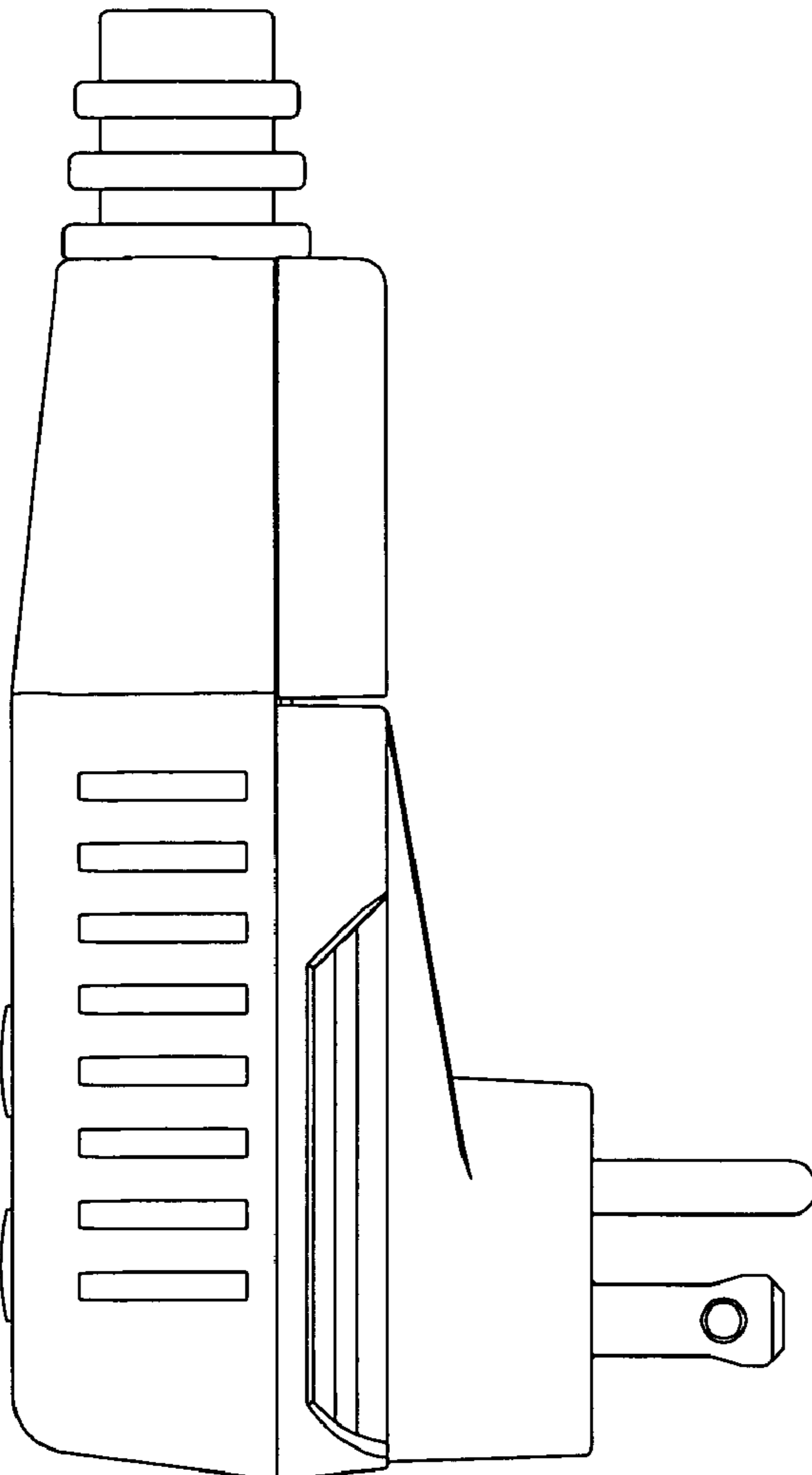


Fig. 4

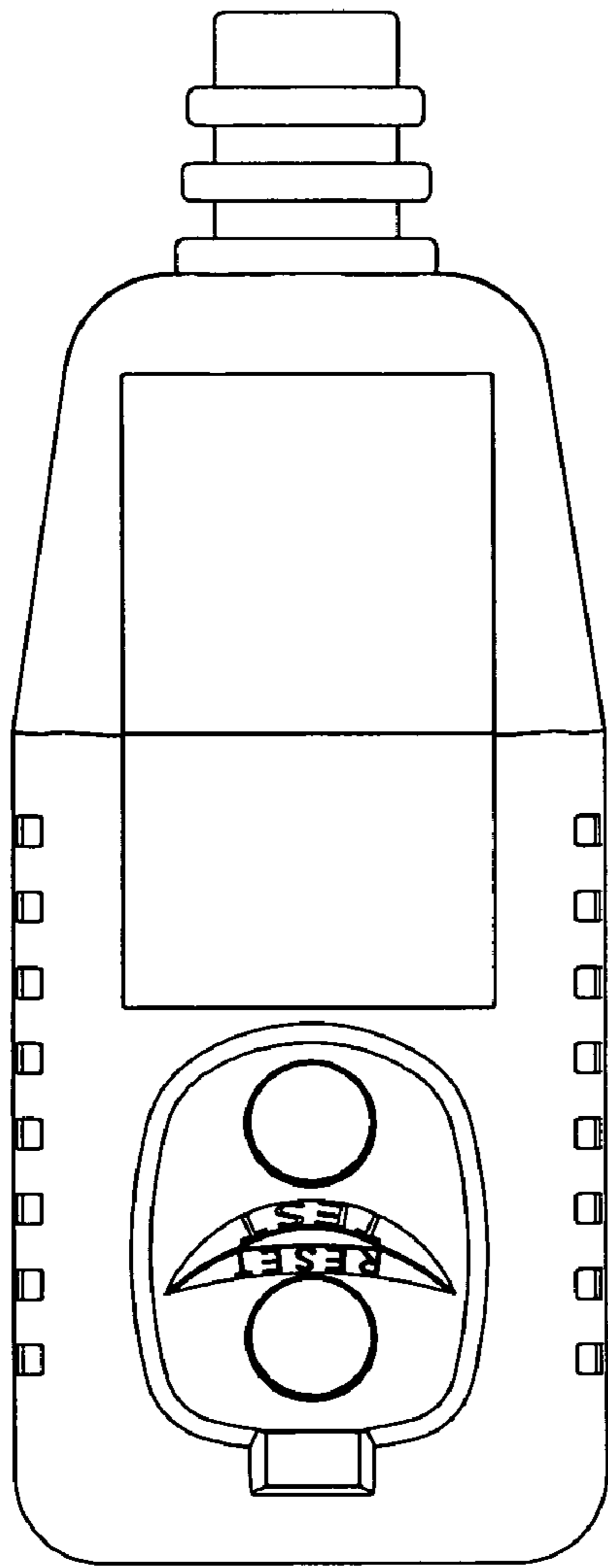


Fig. 5

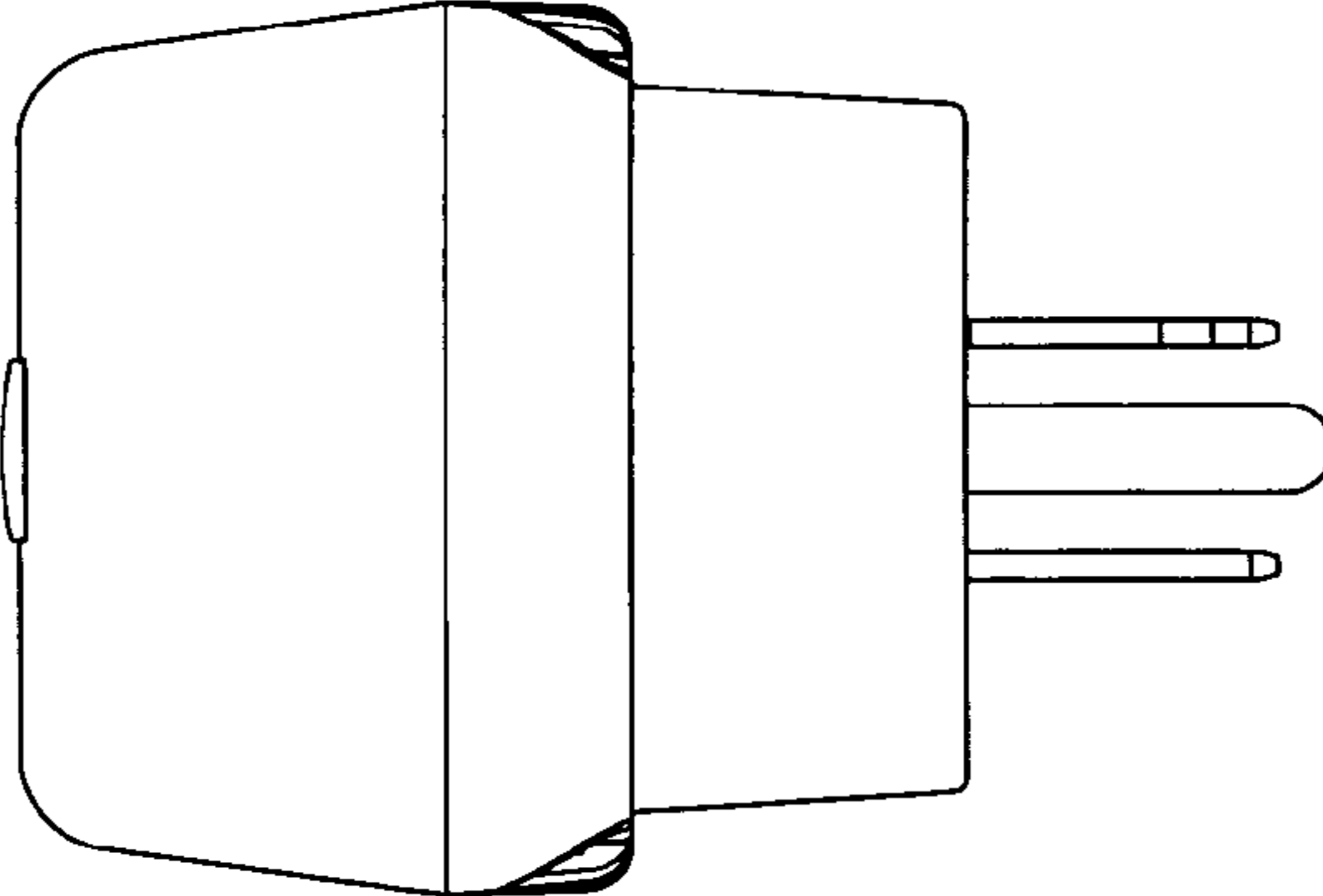


Fig. 6

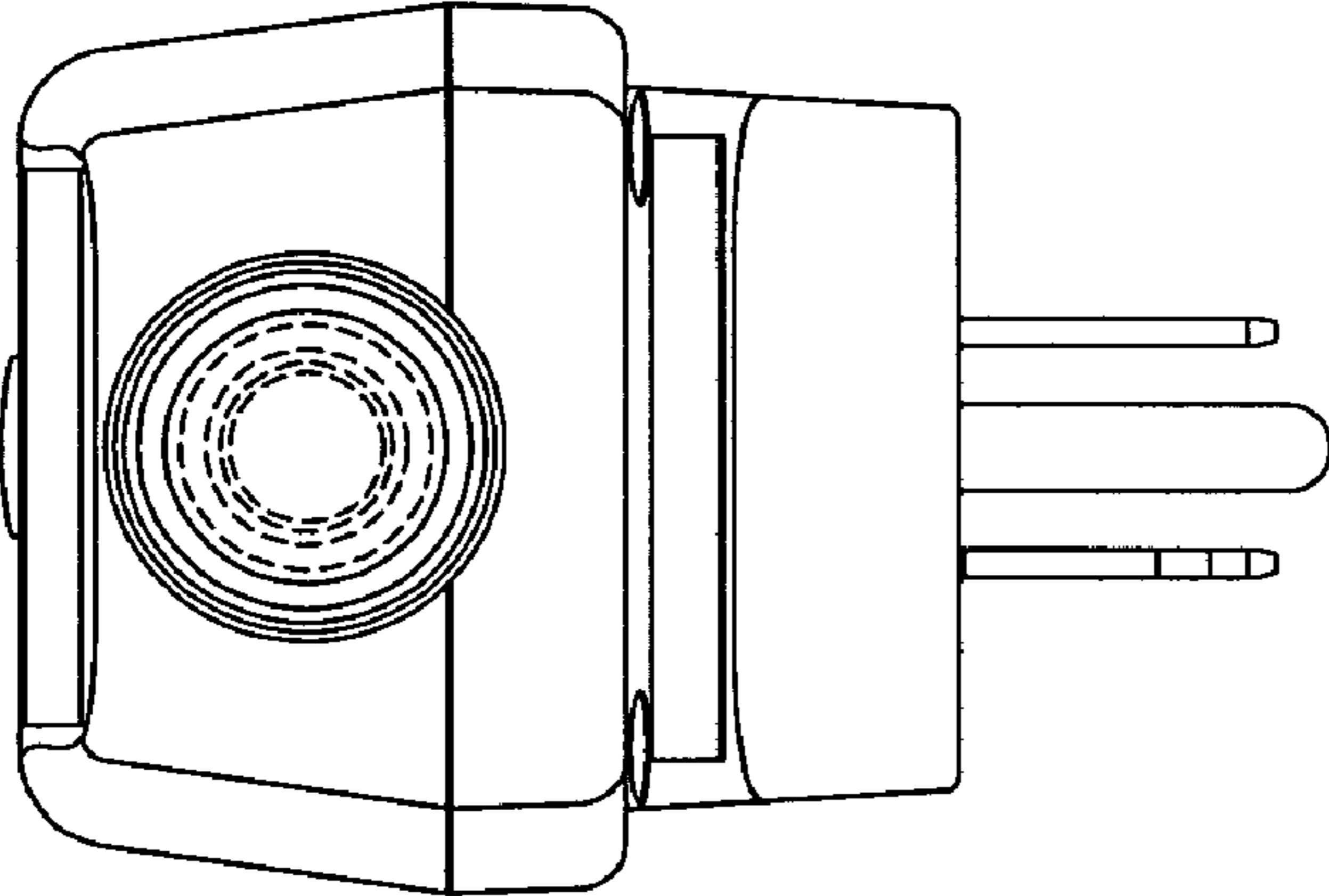


Fig. 7