

US00D635936S

(12) **United States Design Patent**
Reiser et al.

(10) **Patent No.:** **US D635,936 S**

(45) **Date of Patent:** **** Apr. 12, 2011**

(54) **ELECTRONIC PRESSURE SWITCH**

(56)

References Cited

(75) Inventors: **Juergen Reiser**, Michelstadt (DE);
Eugen Gassmann, Aschaffenburg (DE);
Sabine Schober, Hamburg (DE);
Wolfgang Wagner, Hamburg (DE)

(73) Assignee: **WIKA Alexander Wiegand GmbH & Co. KG**, Klingenberg/Main (DE)

(**) Term: **14 Years**

(21) Appl. No.: **29/357,166**

(22) Filed: **Mar. 8, 2010**

(30) **Foreign Application Priority Data**

Sep. 8, 2009 (DE) 40 2009 004 390

(51) **LOC (9) Cl.** **13-03**

(52) **U.S. Cl.** **D13/158**

(58) **Field of Classification Search** D13/158,
D13/162, 164, 177, 184; D10/85, 96; D23/200,
D23/233, 245, 246; 200/308, 520, 5 A, 5 R,
200/83, 83 Q, 81 R, 81.4; 73/756

See application file for complete search history.

U.S. PATENT DOCUMENTS

D299,516	S	*	1/1989	Wang	D23/200
D365,771	S	*	1/1996	Clivio	D10/96
D437,295	S	*	2/2001	Gunji et al.	D13/158
D472,831	S	*	4/2003	Dennis et al.	D10/85
D477,287	S	*	7/2003	Roman	D13/162
D557,215	S	*	12/2007	Kurisaki et al.	D13/158
D559,195	S	*	1/2008	Tamaoki	D13/158
D568,255	S	*	5/2008	Kurisaki et al.	D13/158
2010/0011870	A1	*	1/2010	Landwehr et al.	73/756

* cited by examiner

Primary Examiner — Thomas J Johannes

(74) *Attorney, Agent, or Firm* — Baker & Hostetler LLP

(57) **CLAIM**

The ornamental design for an electronic pressure switch, as shown and described.

DESCRIPTION

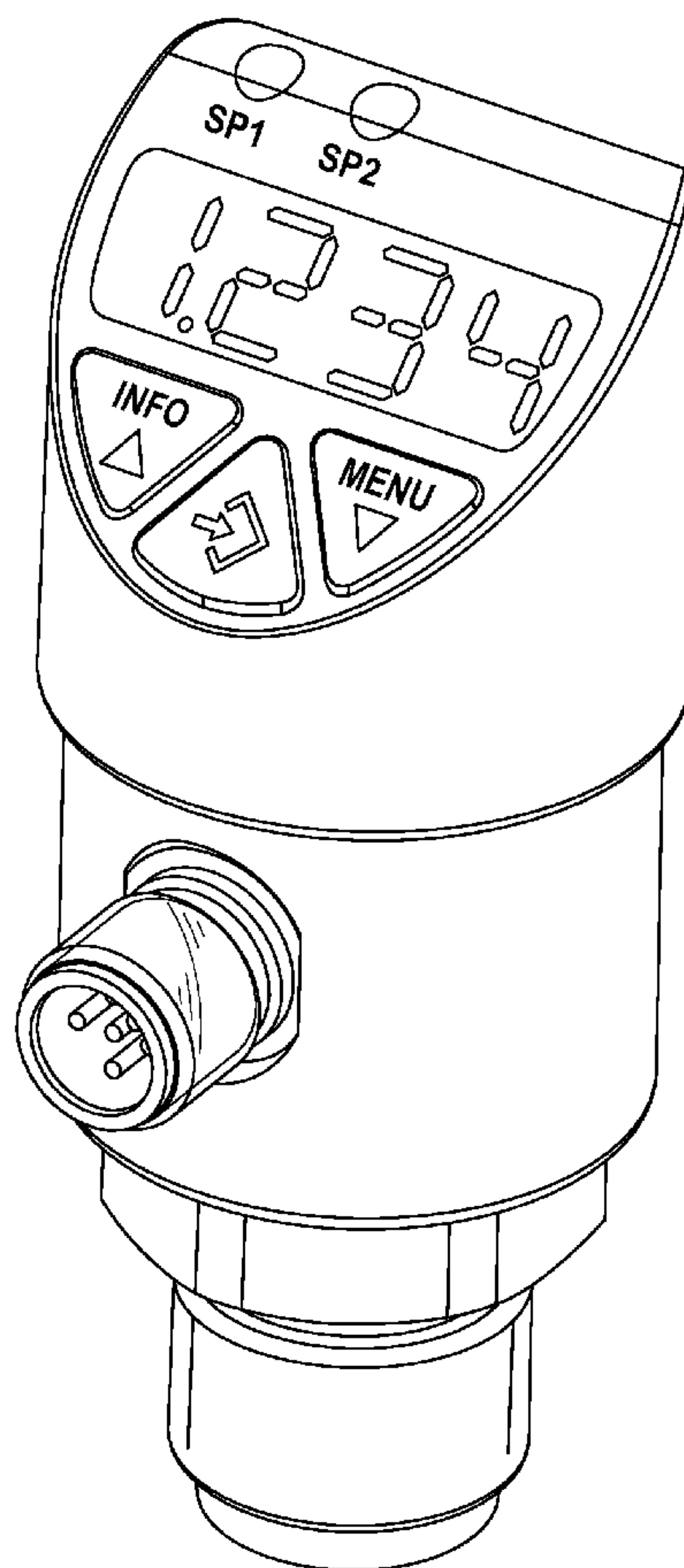
FIG. 1 is a perspective view of an electronic pressure switch, showing our new design;

FIG. 2 is a left side view thereof; and,

FIG. 3 is a top plan view thereof.

The broken line portion of FIG. 2 is included to show unclaimed subject matter only and forms no part of the claimed design.

1 Claim, 3 Drawing Sheets



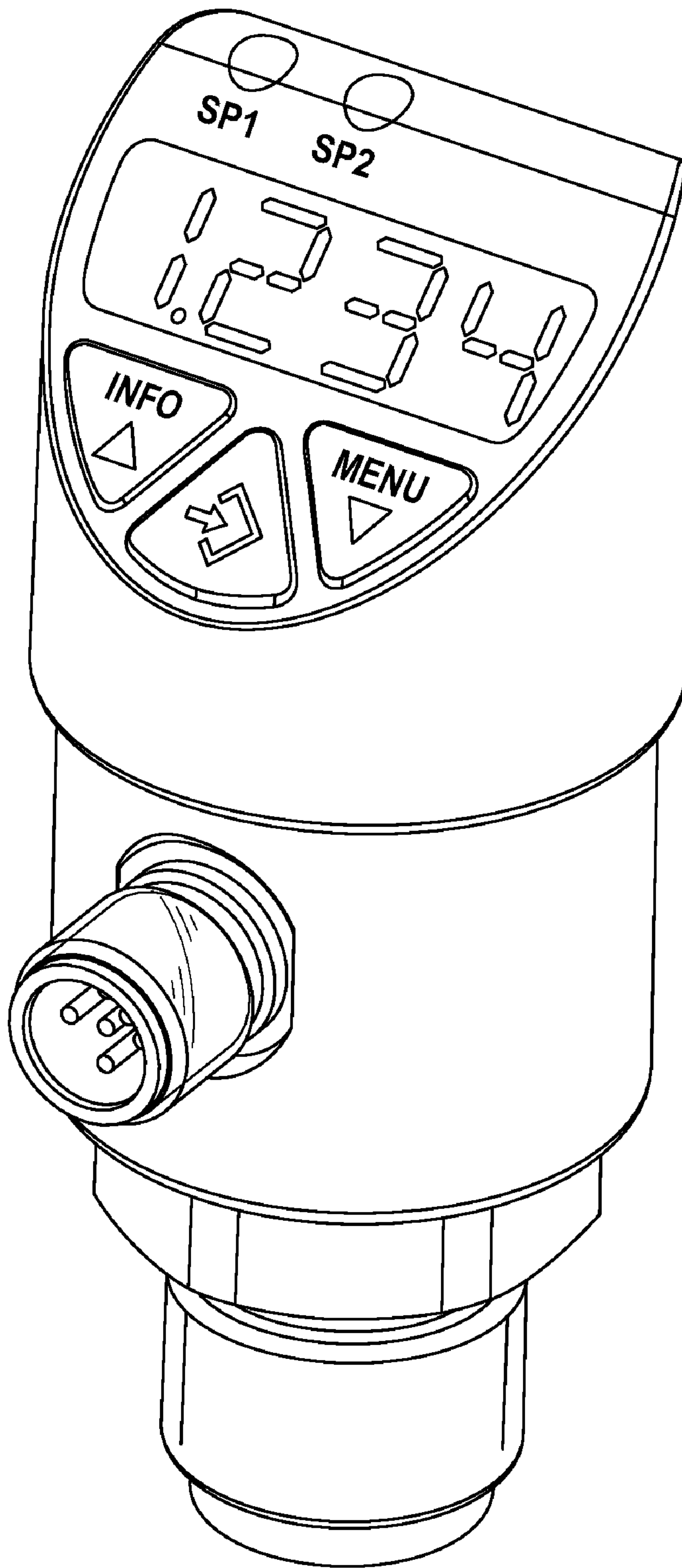


FIG. 1

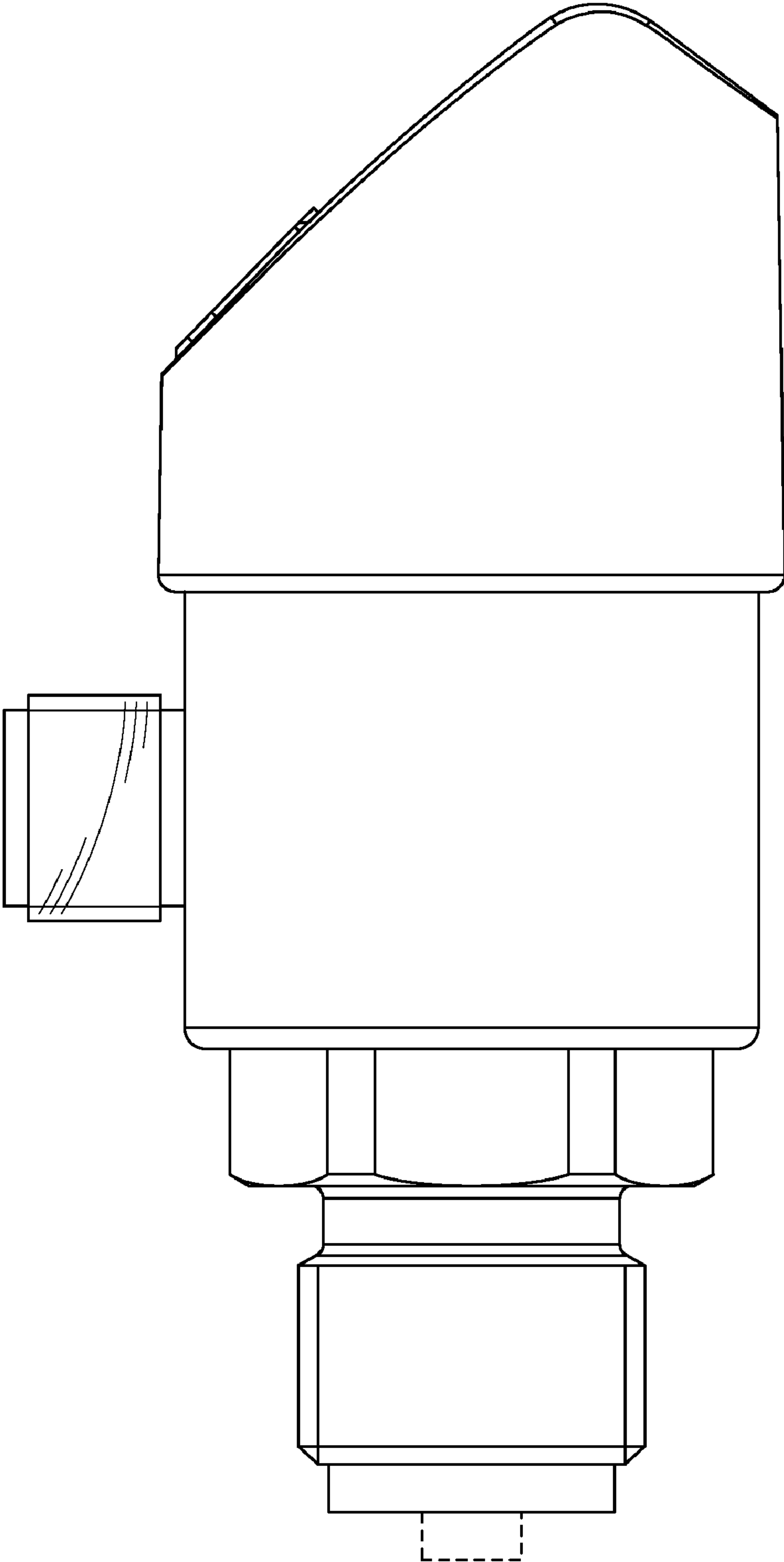


FIG. 2

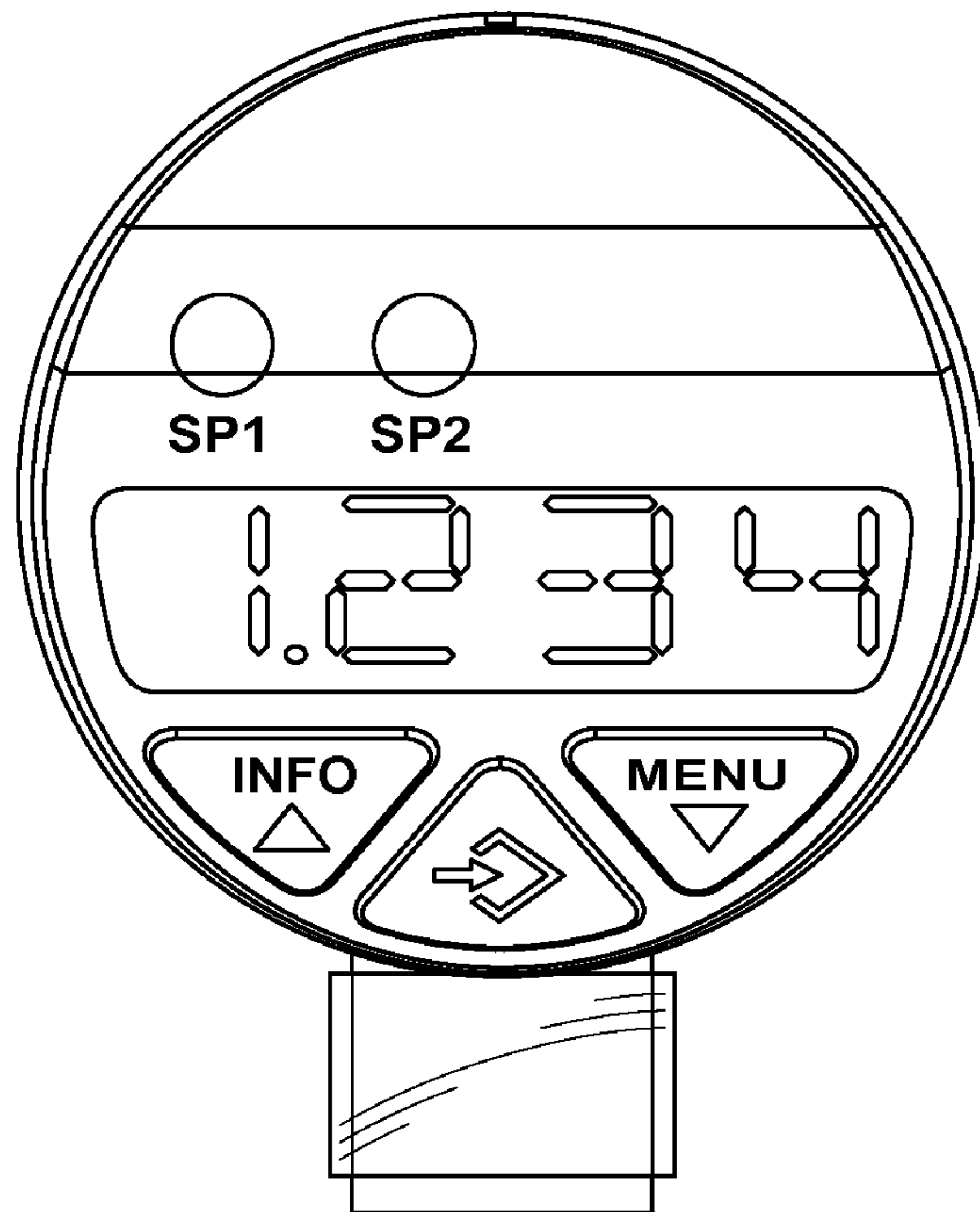


FIG. 3