

US00D635935S

(12) **United States Design Patent**  
**Donowho**

(10) **Patent No.:** **US D635,935 S**  
(45) **Date of Patent:** **\*\* Apr. 12, 2011**

(54) **COVER FOR CABLE MANAGEMENT RACEWAY**

6,107,576 A 8/2000 Morton et al.  
6,307,997 B1 10/2001 Walters et al.  
6,437,243 B1 8/2002 VanderVelde et al.

(75) Inventor: **D. Brian Donowho**, Austin, TX (US)

(Continued)

(73) Assignee: **Chatsworth Products, Inc.**, Westlake Village, CA (US)

FOREIGN PATENT DOCUMENTS

AU 322229 11/2008

(Continued)

(\*\*) Term: **14 Years**

(21) Appl. No.: **29/353,952**

OTHER PUBLICATIONS

(22) Filed: **Jan. 16, 2010**

“International Search Report” and “Written Opinion of the International Searching Authority” (ISA/US Korean Intellectual Property Office) in Chatsworth Products, Inc. et al., International Patent Application Serial No. PCT/US2009/056256, International Filing Date Sep. 8, 2009, Mailed on Apr. 7, 2010, Completed on Apr. 6, 2010, 7 pages.

(51) **LOC (9) Cl.** ..... **13-03**

(52) **U.S. Cl.** ..... **D13/156; D13/155**

(58) **Field of Classification Search** ..... D13/155, D13/156, 184; D8/354–356, 360.1; D14/256, D14/299; 439/207–211, 445–447

(Continued)

See application file for complete search history.

(56) **References Cited**

*Primary Examiner* — Daniel D Bui

(74) *Attorney, Agent, or Firm* — Tillman Wright, PLLC; James D. Wright; Chad D. Tillman

U.S. PATENT DOCUMENTS

2,921,607 A	1/1960	Caveny	
3,485,937 A	12/1969	Caveny	
3,705,949 A	12/1972	Weiss	
3,890,459 A	6/1975	Caveny	
3,906,146 A	9/1975	Taylor	
3,968,322 A	7/1976	Taylor	
4,046,957 A	9/1977	Taylor et al.	
4,136,257 A	1/1979	Taylor	
4,484,020 A	11/1984	Loof et al.	
D282,538 S	2/1986	Loof et al.	
4,902,852 A	2/1990	Wuertz	
5,086,195 A	2/1992	Claisse	
5,235,136 A	8/1993	Santucci et al.	
D348,469 S	7/1994	Johnson et al.	
5,602,364 A	2/1997	Ustin	
5,659,650 A	8/1997	Arnett	
D402,639 S *	12/1998	Baxter et al.	D13/184
5,942,729 A	8/1999	Carlson et al.	
5,997,117 A	12/1999	Krietzman	
6,044,194 A	3/2000	Meyerhoefer	
D425,044 S	5/2000	Jean et al.	
6,107,575 A	8/2000	Miranda	

(57) **CLAIM**

The ornamental design for a cover for cable management raceway, as shown.

**DESCRIPTION**

FIG. 1 is an isometric view of a cover for cable management raceway, depicted in a horizontal orientation, showing my new design;

FIG. 2 is a front view thereof;

FIG. 3 is a rear view thereof;

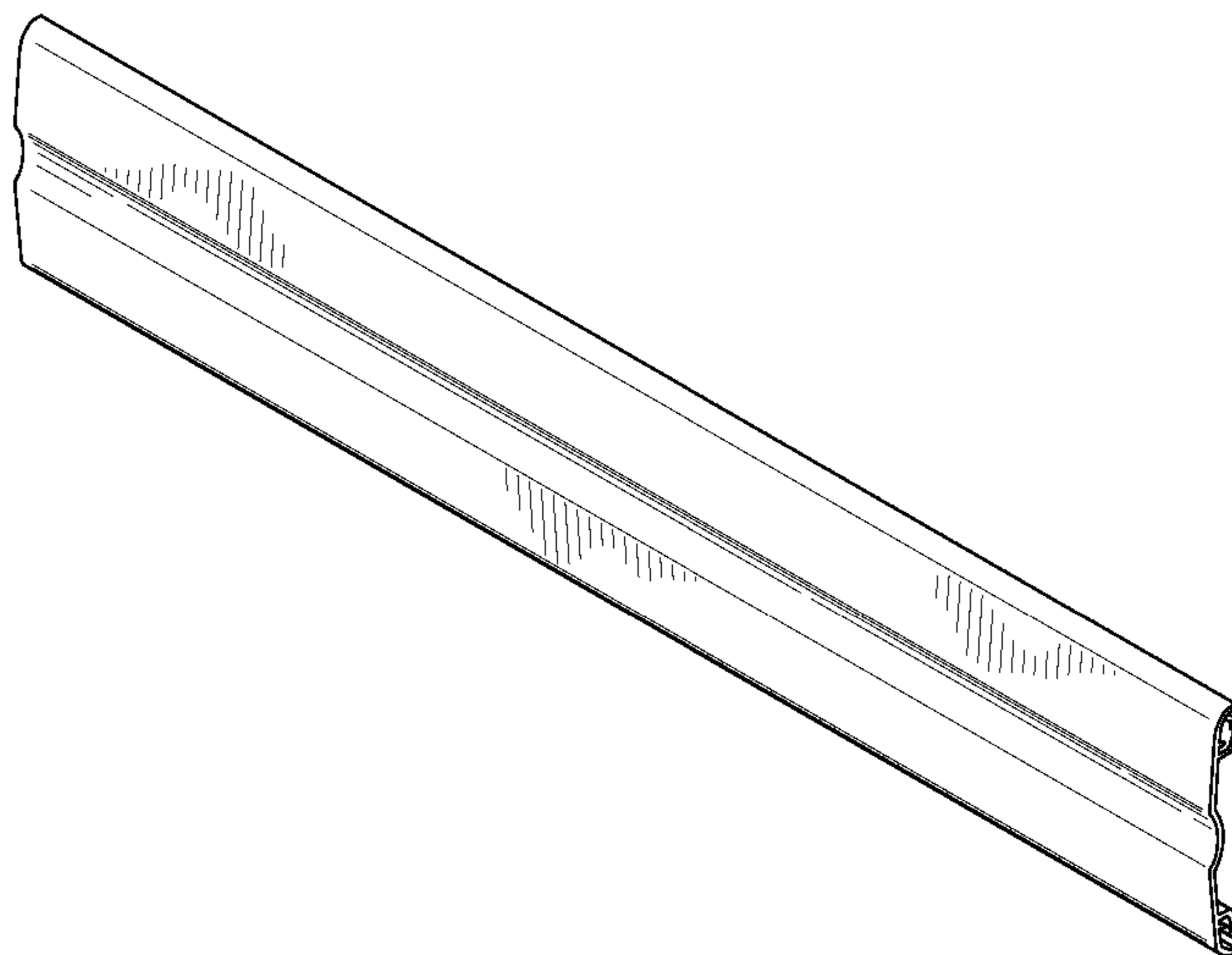
FIG. 4 is a right side view thereof;

FIG. 5 is a left side view thereof;

FIG. 6 is a top view thereof; and,

FIG. 7 is a bottom view thereof.

**1 Claim, 4 Drawing Sheets**





# US D635,935 S

Page 3

---

“International Search Report” and “Written Opinion of the International Search Authority” (Korean Intellectual Property Office) in Chatsworth Products, Inc. et al., International Patent Application Serial No. PCT/US2008/064174, dated Oct. 30, 2009, 9 pages.

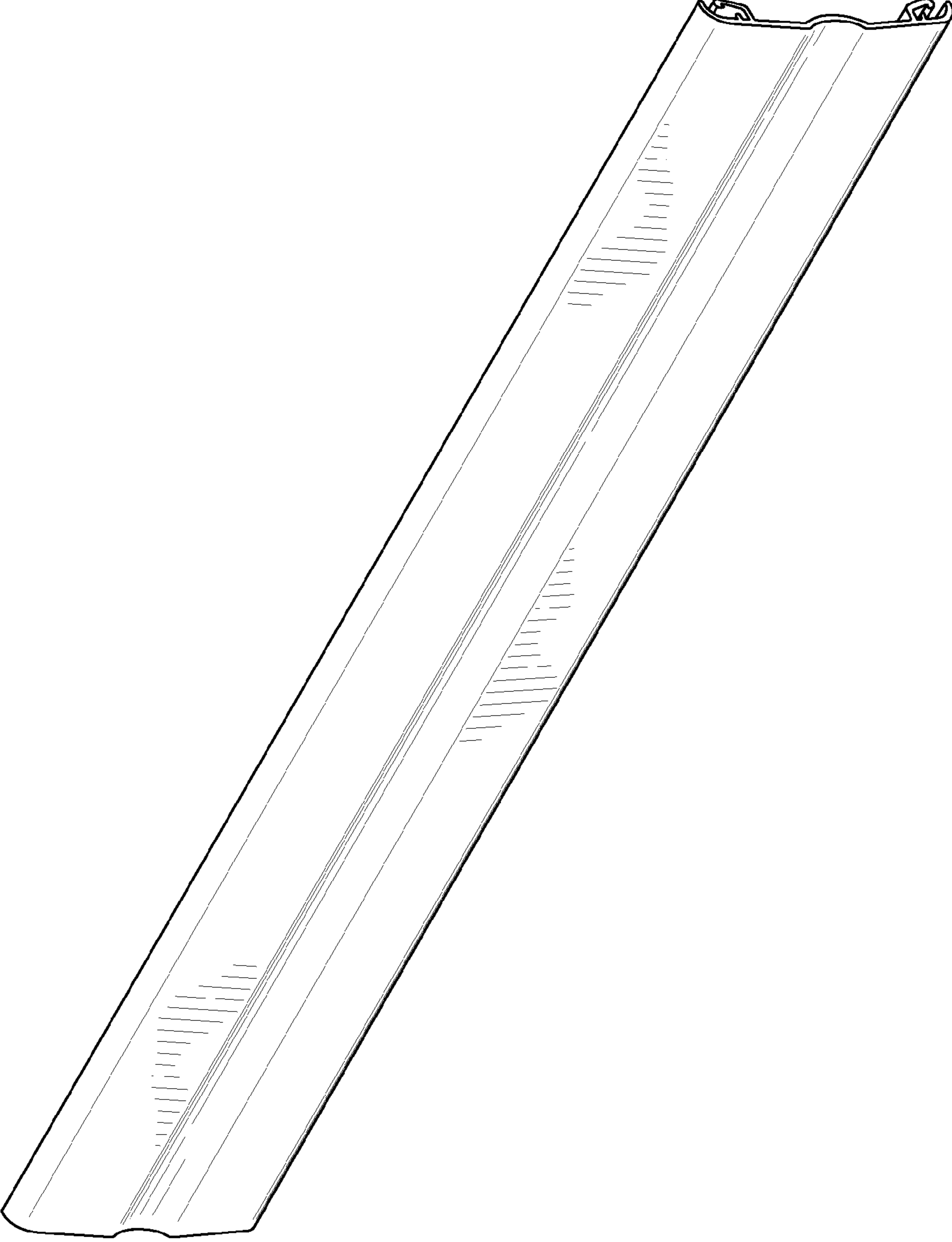
Chatsworth Products, Inc., “Thermal Management Solutions”, Signature Solutions Brochure, Revision dated Mar. 2008, 6 pages, [www.chatsworth.com/passivecooling](http://www.chatsworth.com/passivecooling).

“International Search Report” and “Written Opinion of the International Search Authority” (Korean Intellectual Property Office) in

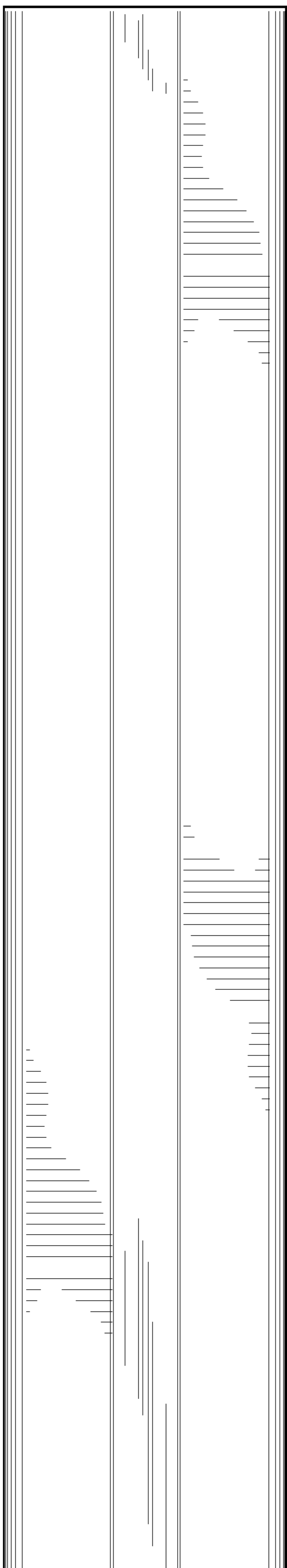
Chatsworth Products, Inc. et al., International Patent Application Serial No. PCT/US2009/034338, dated Sep. 1, 2009, 7 pages.

“International Search Report” and “Written Opinion of the International Searching Authority” (ISA/US Alexandria, Virginia Office) in Chatsworth Products, Inc. et al., International Patent Application Serial No. PCT/US07/75763, dated Aug. 13, 2008, 13 pages.

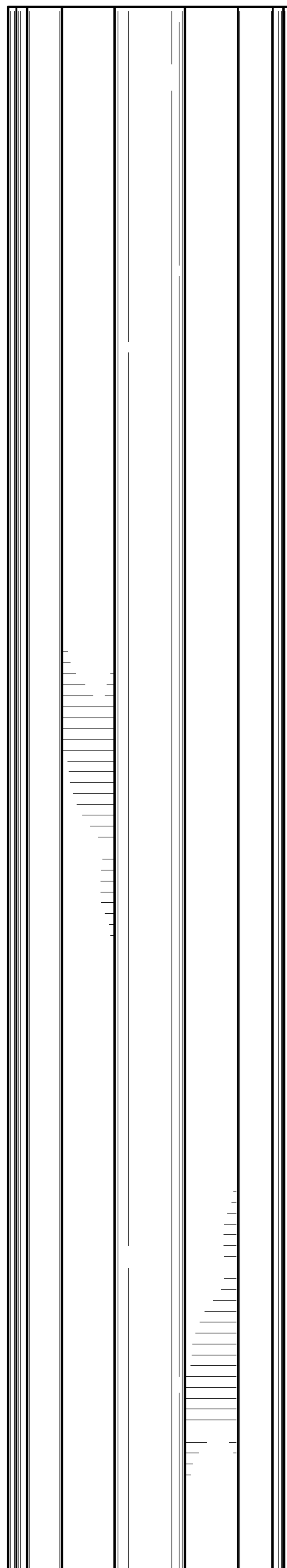
\* cited by examiner



**FIG. 1**



**FIG. 2**



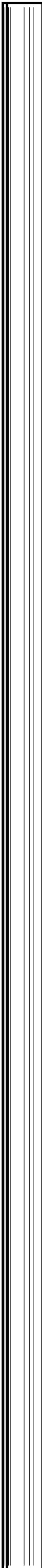
**FIG. 3**



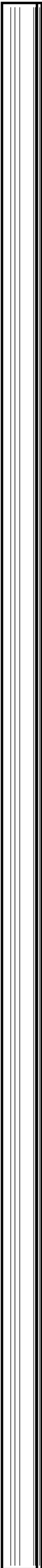
**FIG. 4**



**FIG. 5**



**FIG. 6**



**FIG. 7**