



US00D635934S

(12) **United States Design Patent**
Shen et al.

(10) **Patent No.:** **US D635,934 S**

(45) **Date of Patent:** **** Apr. 12, 2011**

(54) **CONDUIT FITTING RING**

7,186,915 B2 3/2007 Hull et al.
D544,448 S 6/2007 Hull et al.
7,387,288 B2 6/2008 Hull et al.

(75) Inventors: **Xing-Guo Shen**, Shanghai (CN); **Lorne Smyth**, Orangeville (CA); **John Kehren**, Newmarket (CA)

OTHER PUBLICATIONS

Royal Pipe Systems; Royal Flex ENT & Fittings; Catalog, May 2004, 12 pages, Canada.

U.S. Appl. No. 29/338,056, filed Jun. 3, 2009; Title: Conduit Fitting Ring.

U.S. Appl. No. 12/424,844, filed Apr. 16, 2009; Title: Fitting for Corrugated Conduit.

(73) Assignee: **Royal Group Inc.**, Woodbridge (CA)

Primary Examiner — Daniel D Bui

(**) Term: **14 Years**

(74) *Attorney, Agent, or Firm* — Osler, Hoskin & Harcourt LLP

(21) Appl. No.: **29/377,346**

(22) Filed: **Oct. 20, 2010**

(51) **LOC (9) Cl.** **13-03**

(52) **U.S. Cl.** **D13/155**

(58) **Field of Classification Search** D13/155,
D13/156, 184; D8/354–356, 360.1; D14/256,
D14/299; 439/207–211, 445–447; 285/305

See application file for complete search history.

(57) **CLAIM**

The ornamental design for a conduit fitting ring, as shown and described.

DESCRIPTION

FIG. 1 is a top and side perspective view of a conduit fitting ring, showing our new design;

FIG. 2 is a bottom and side perspective view thereof;

FIG. 3 is a top plan view thereof;

FIG. 4 is a bottom plan view thereof;

FIG. 5 is a side elevation view thereof, as seen from line 5—5 in FIG. 3;

FIG. 6 is another side view thereof, as seen from line 6—6 in FIG. 3; and,

FIG. 7 is a bottom perspective view thereof, in use condition.

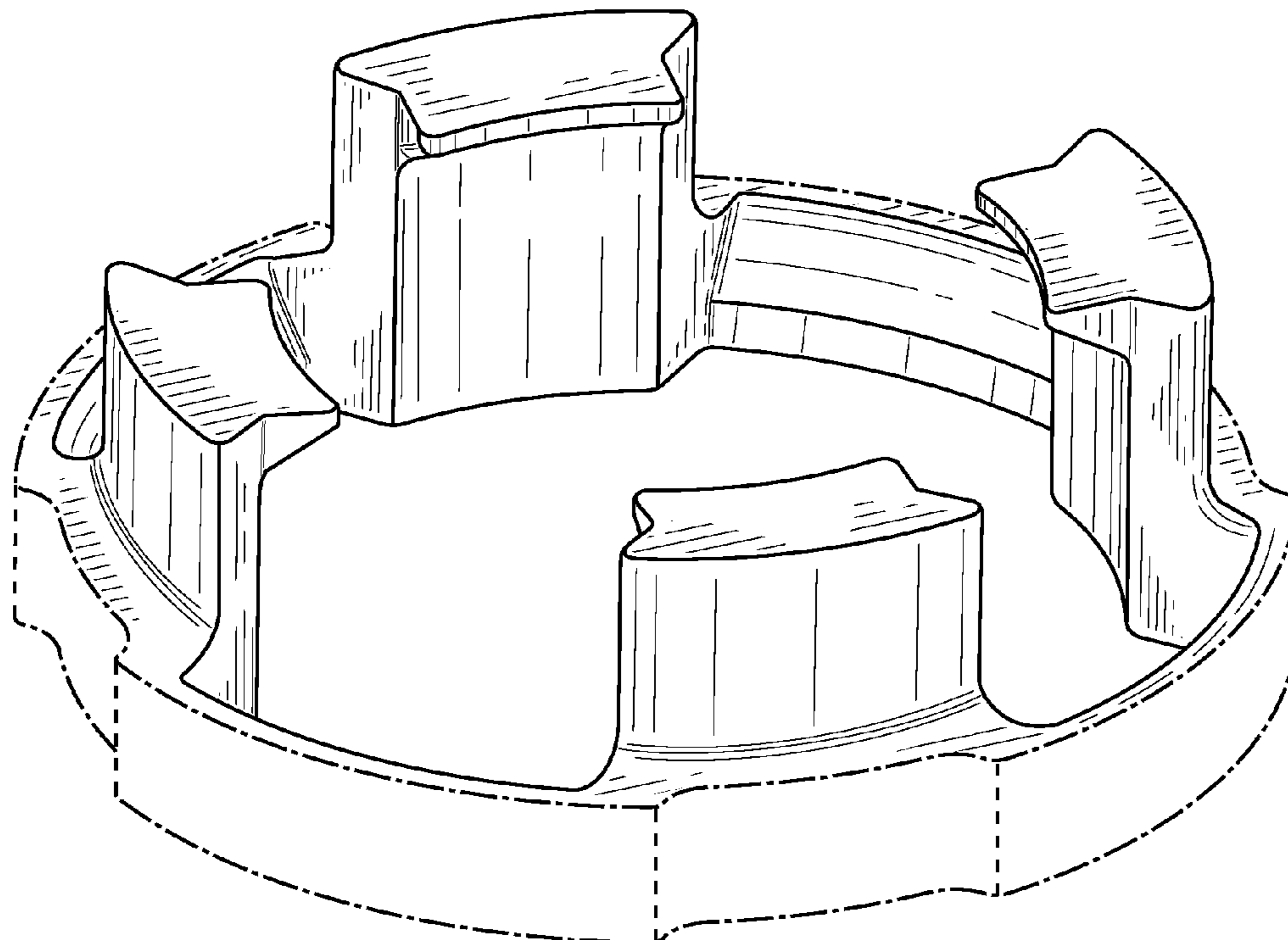
The broken line shown in FIG. 7 is included for the purpose of illustrating environment and forms no part of the claimed design.

(56) **References Cited**

U.S. PATENT DOCUMENTS

4,368,904 A	1/1983	Lanz
4,647,074 A	3/1987	Pate et al.
4,711,974 A	12/1987	Borsh
4,723,796 A	2/1988	Nattel
4,836,580 A	6/1989	Farrell
4,864,080 A	9/1989	Fochler et al.
4,989,905 A	2/1991	Rajecki
5,362,112 A	11/1994	Hamilton et al.
5,730,474 A	3/1998	Bank
D418,210 S	12/1999	Roesch
6,739,630 B2	5/2004	Riedy
6,899,354 B2	5/2005	Lanteigne et al.
6,918,618 B2	7/2005	Allouche

1 Claim, 6 Drawing Sheets



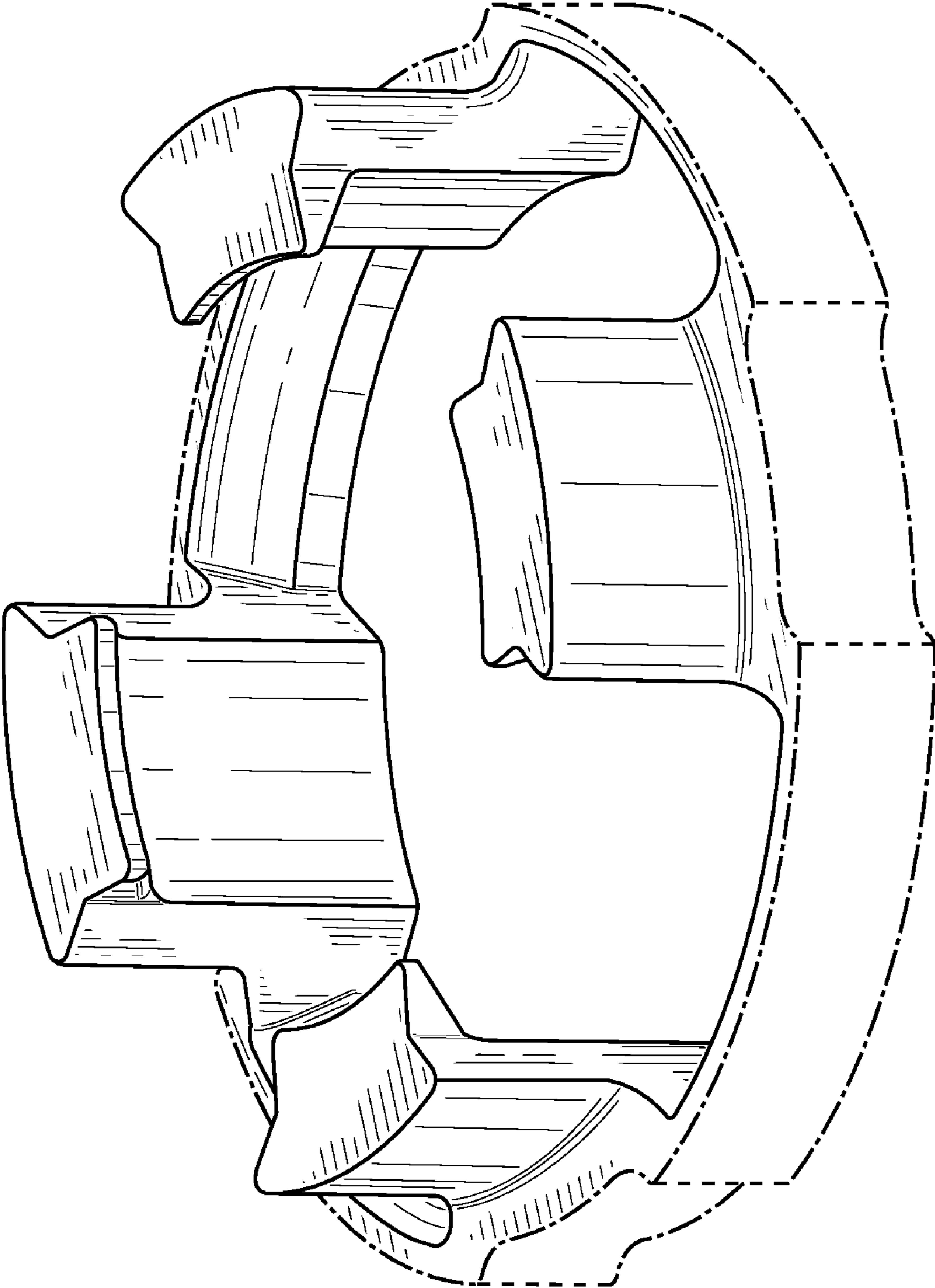


FIG. 1

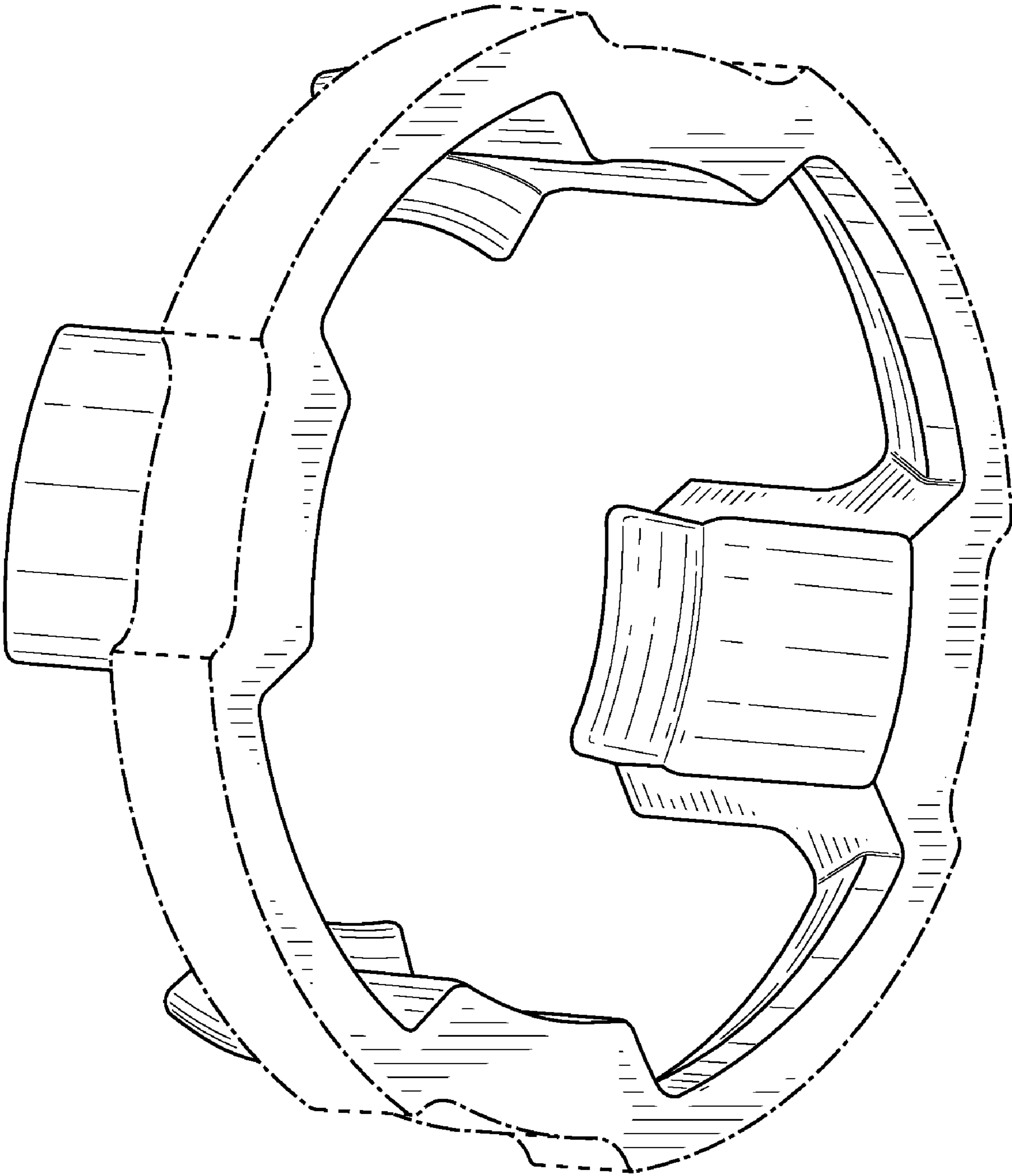


FIG. 2

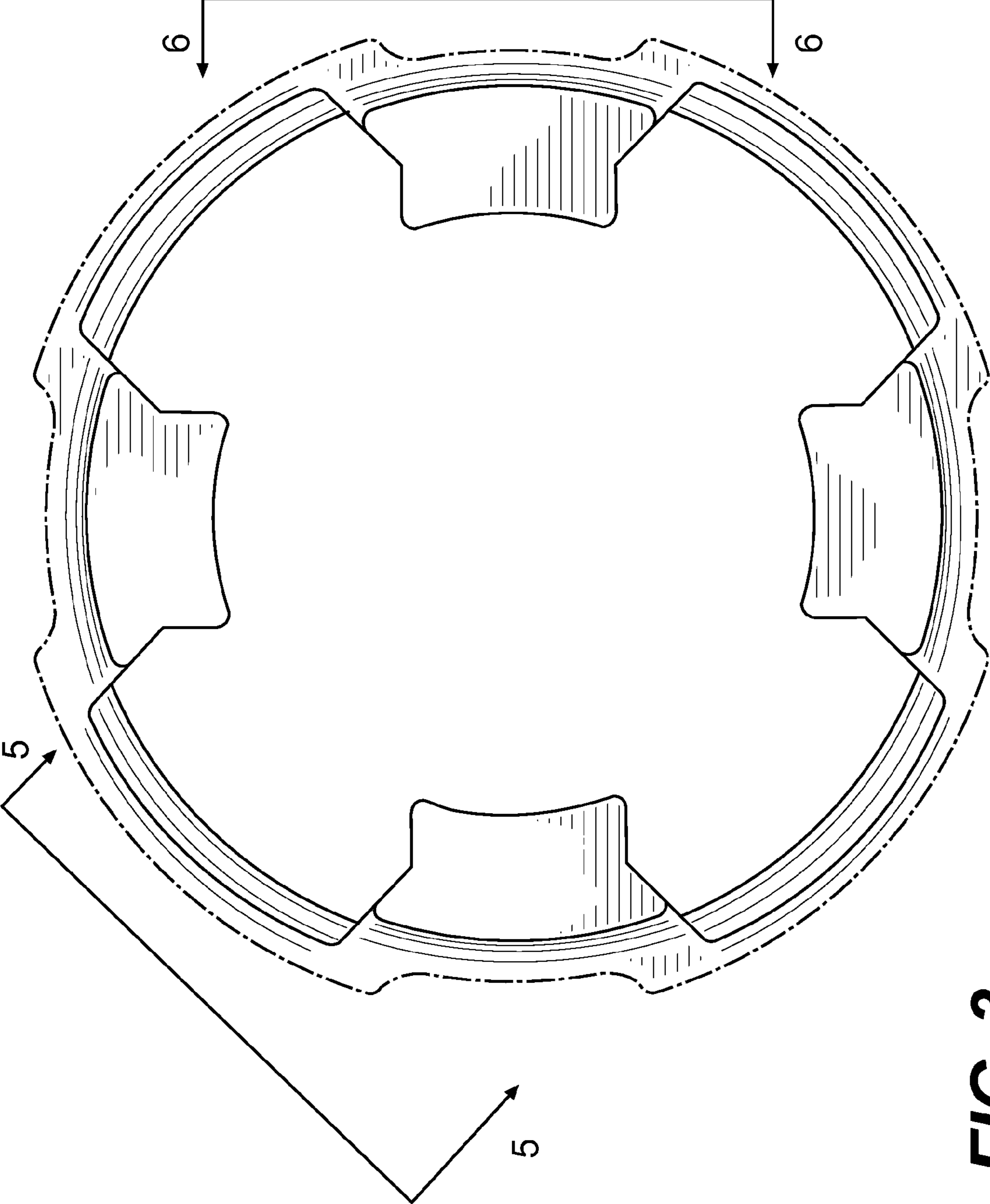


FIG. 3

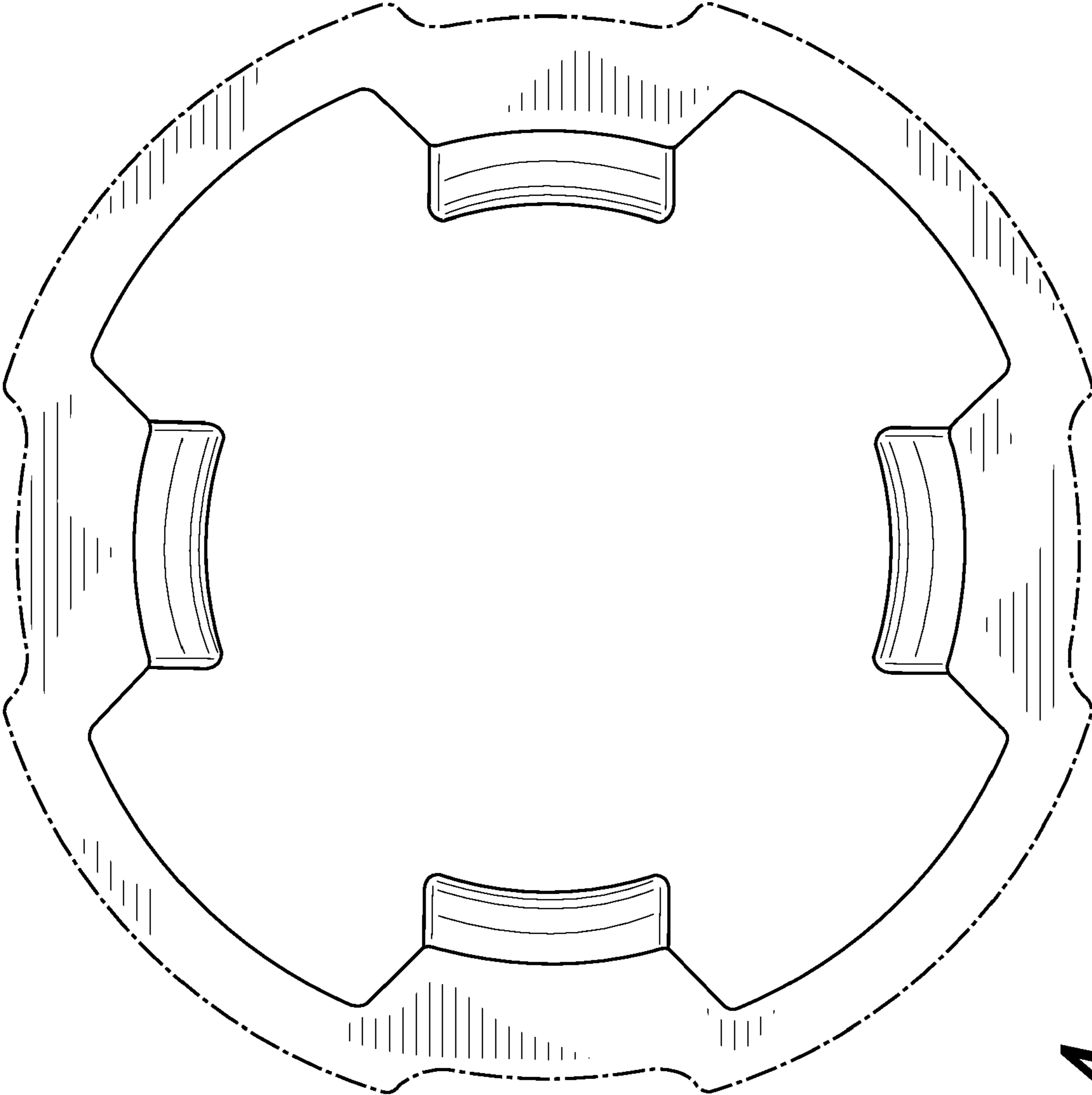


FIG. 4

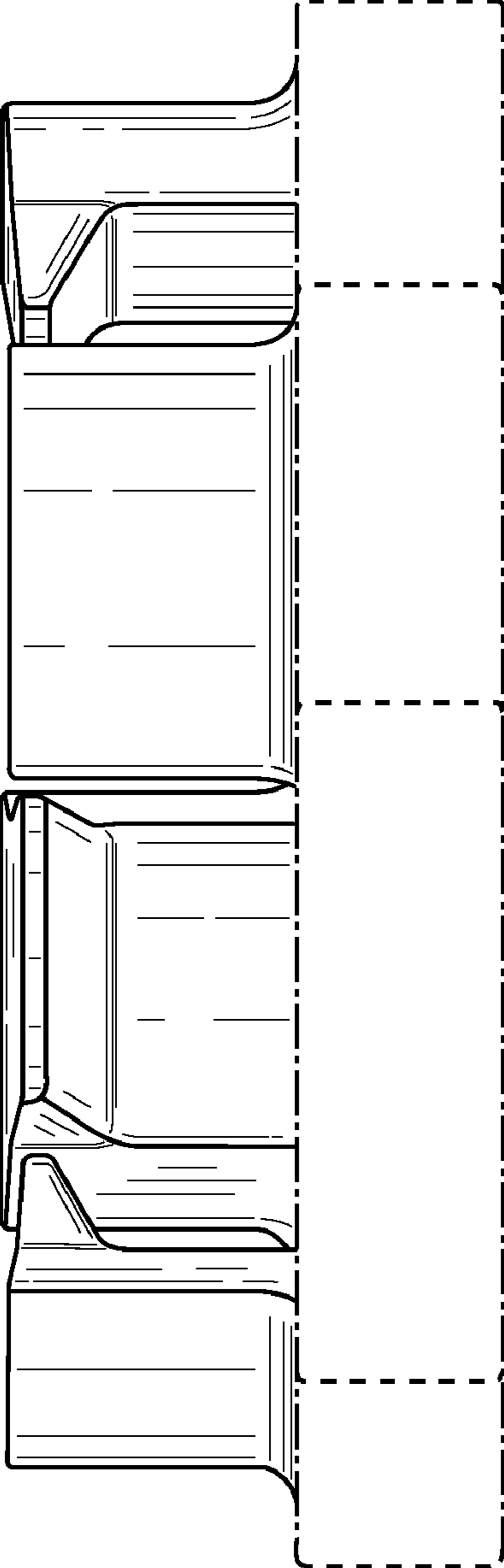


FIG. 5

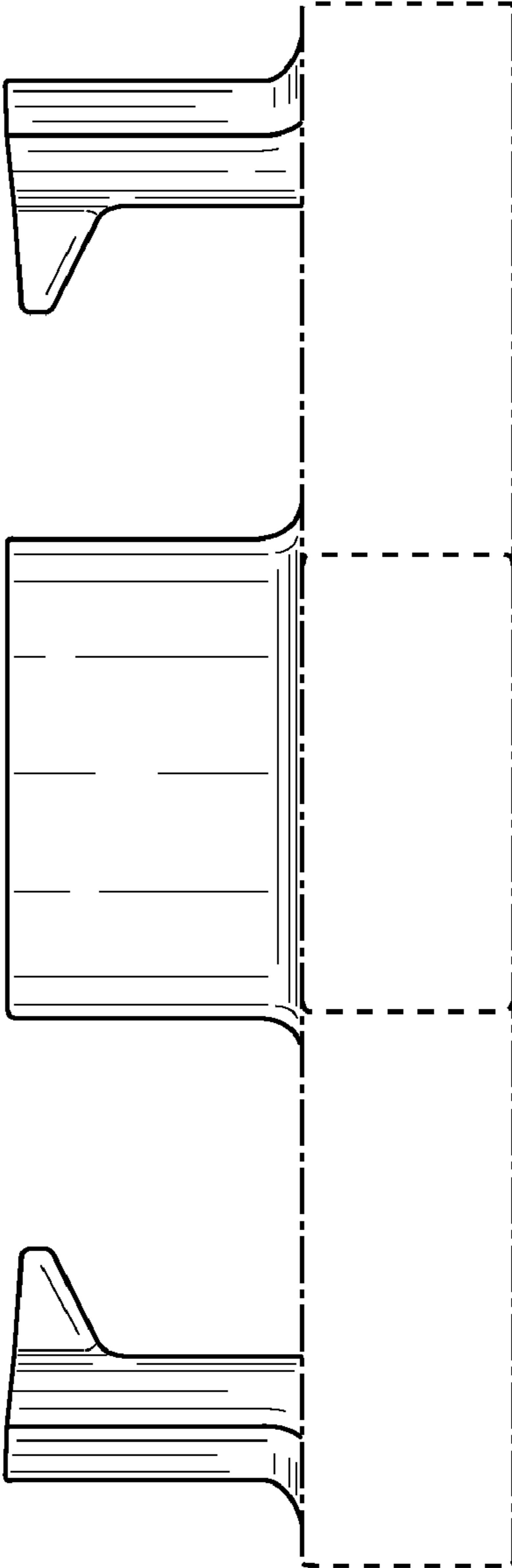


FIG. 6

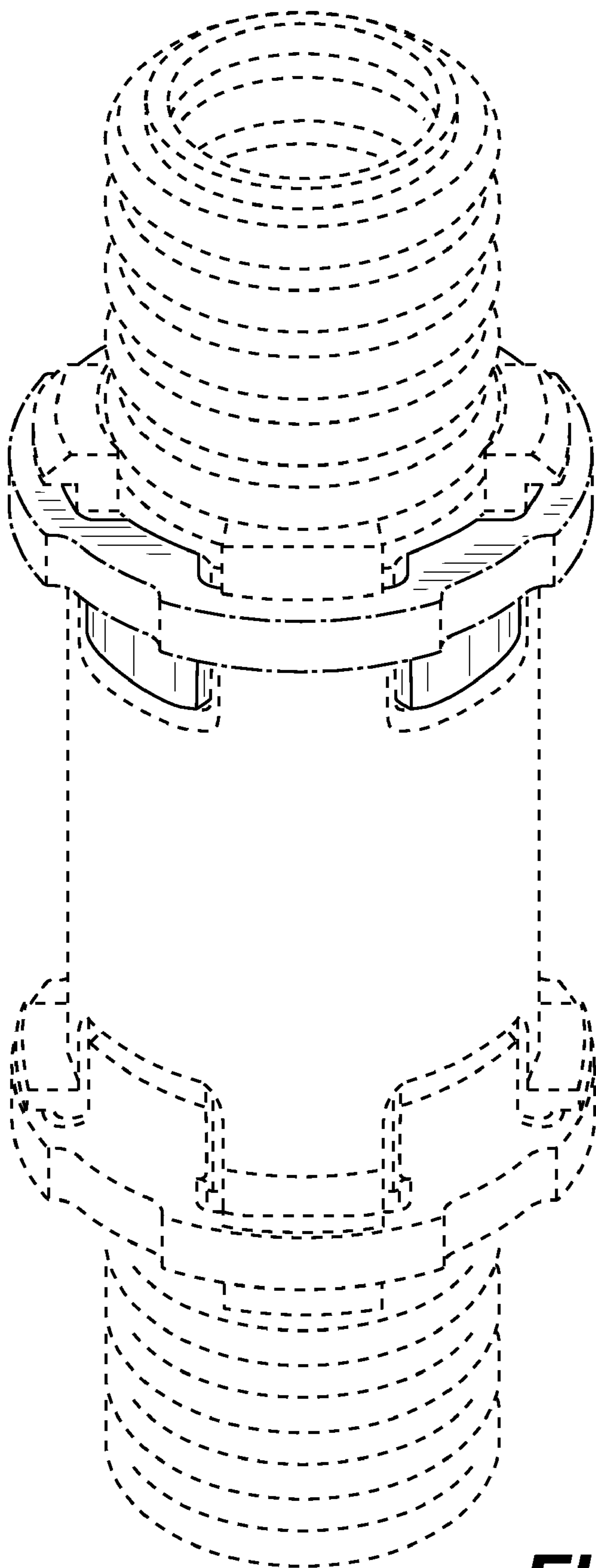


FIG. 7

UNITED STATES PATENT AND TRADEMARK OFFICE
CERTIFICATE OF CORRECTION

PATENT NO. : D635,934 S
APPLICATION NO. : 29/377346
DATED : April 12, 2011
INVENTOR(S) : Xing-Guo Shen et al.

Page 1 of 1

It is certified that error appears in the above-identified patent and that said Letters Patent is hereby corrected as shown below:

On the title page, the statement in the description reading

“The broken line shown in Fig.7 is included for the purpose of illustrating environment and forms no part of the claimed design”

should be changed to

-- Throughout the figures, the dashed broken lines show unclaimed structure or environment, and form no part of the claimed design. The dash-dot broken lines represent the boundary between claimed and unclaimed areas and form no part of the claimed design. --

Signed and Sealed this
Twentieth Day of March, 2012



David J. Kappos
Director of the United States Patent and Trademark Office