



US00D635930S

(12) **United States Design Patent**  
**Li et al.**

(10) **Patent No.:** **US D635,930 S**

(45) **Date of Patent:** **\*\* Apr. 12, 2011**

(54) **FOUR-WAY POWER SPLITTER**

(75) Inventors: **Eddie Ping Kuen Li**, Hong Kong (CN);  
**Sue-Anne Tean Leung**, Hong Kong (CN)

(73) Assignee: **Huizhou Light Engine Ltd.**, Huizhou, Guangdong (CN)

(\*\*) Term: **14 Years**

(21) Appl. No.: **29/377,729**

(22) Filed: **Oct. 25, 2010**

(51) **LOC (9) Cl.** ..... **13-03**

(52) **U.S. Cl.** ..... **D13/147; D13/153**

(58) **Field of Classification Search** ..... D13/133,  
D13/146-147, 153, 154, 156, 184; 439/476.1,  
439/489, 502, 505, 578, 607.01, 607.04,  
439/607.05, 607.06, 607.17, 607.21, 607.23,  
439/607.25, 607.34, 607.41, 607.53, 623,  
439/660, 668, 680

See application file for complete search history.

(56) **References Cited**

U.S. PATENT DOCUMENTS

D449,275 S \* 10/2001 Goto ..... D13/147  
D586,752 S \* 2/2009 Diamond et al. .... D13/147

D593,954 S \* 6/2009 Lee et al. .... D13/154  
D595,236 S \* 6/2009 Andre et al. .... D13/154

\* cited by examiner

*Primary Examiner* — Daniel D Bui

(74) *Attorney, Agent, or Firm* — Dickstein Shapiro LLP

(57) **CLAIM**

The ornamental design for a four-way power splitter, as shown and described.

**DESCRIPTION**

FIG. 1 is a perspective view of a four-way power splitter showing our new design;

FIG. 2 is a top view of the four-way power splitter shown in FIG. 1;

FIG. 3 is a right side view of the four-way power splitter shown in FIG. 1;

FIG. 4 is a left side view of the four-way power splitter shown in FIG. 1;

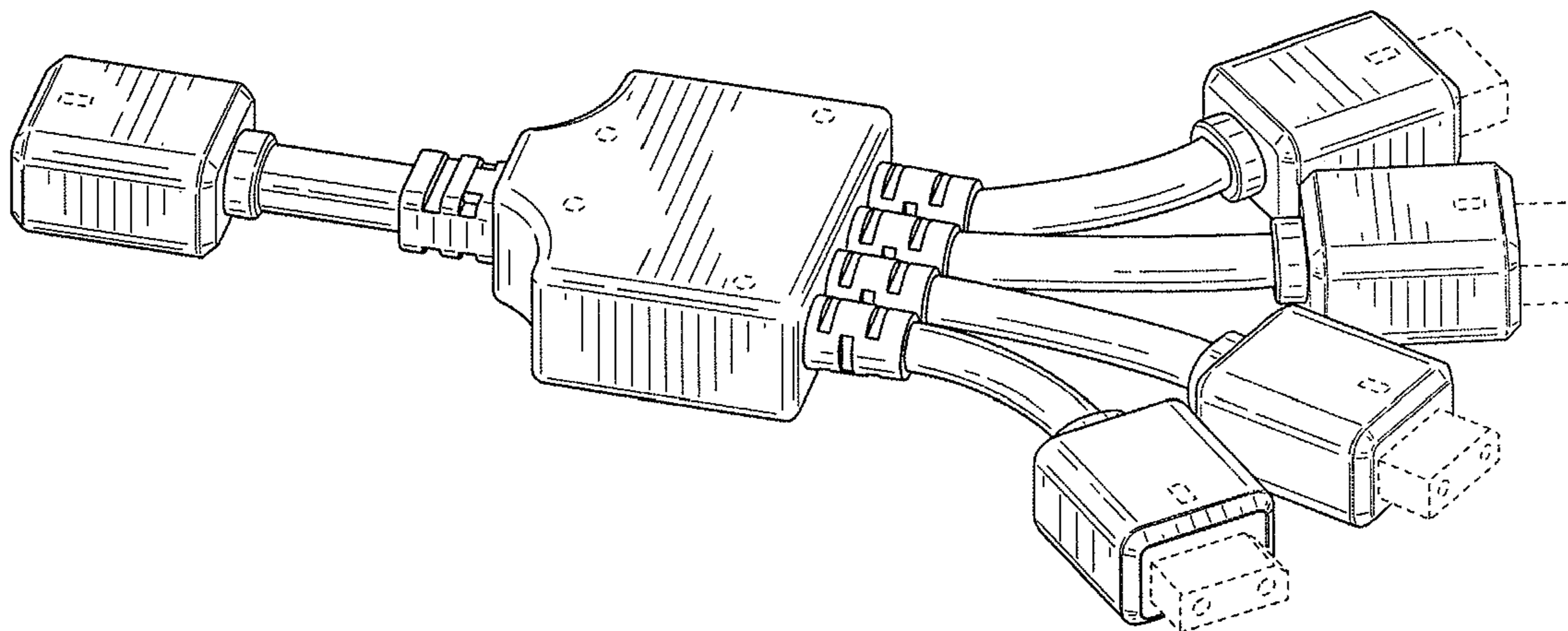
FIG. 5 is a bottom view of the four-way power splitter shown in FIG. 1;

FIG. 6 is a rear view of the four-way power splitter shown in FIG. 1; and,

FIG. 7 is a front view of the four-way power splitter shown in FIG. 1.

The broken line shown in the drawing views is unclaimed subject matter and forms no part of the claimed design.

**1 Claim, 6 Drawing Sheets**



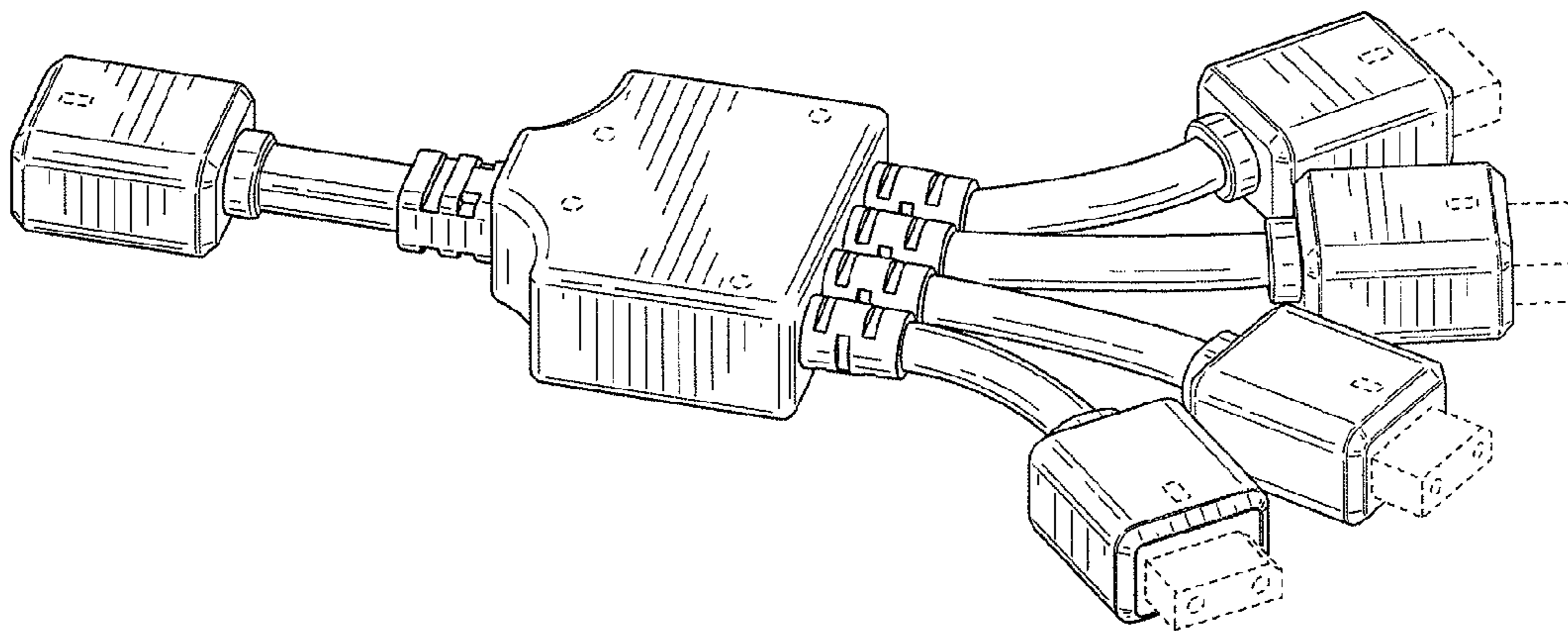


FIG. 1

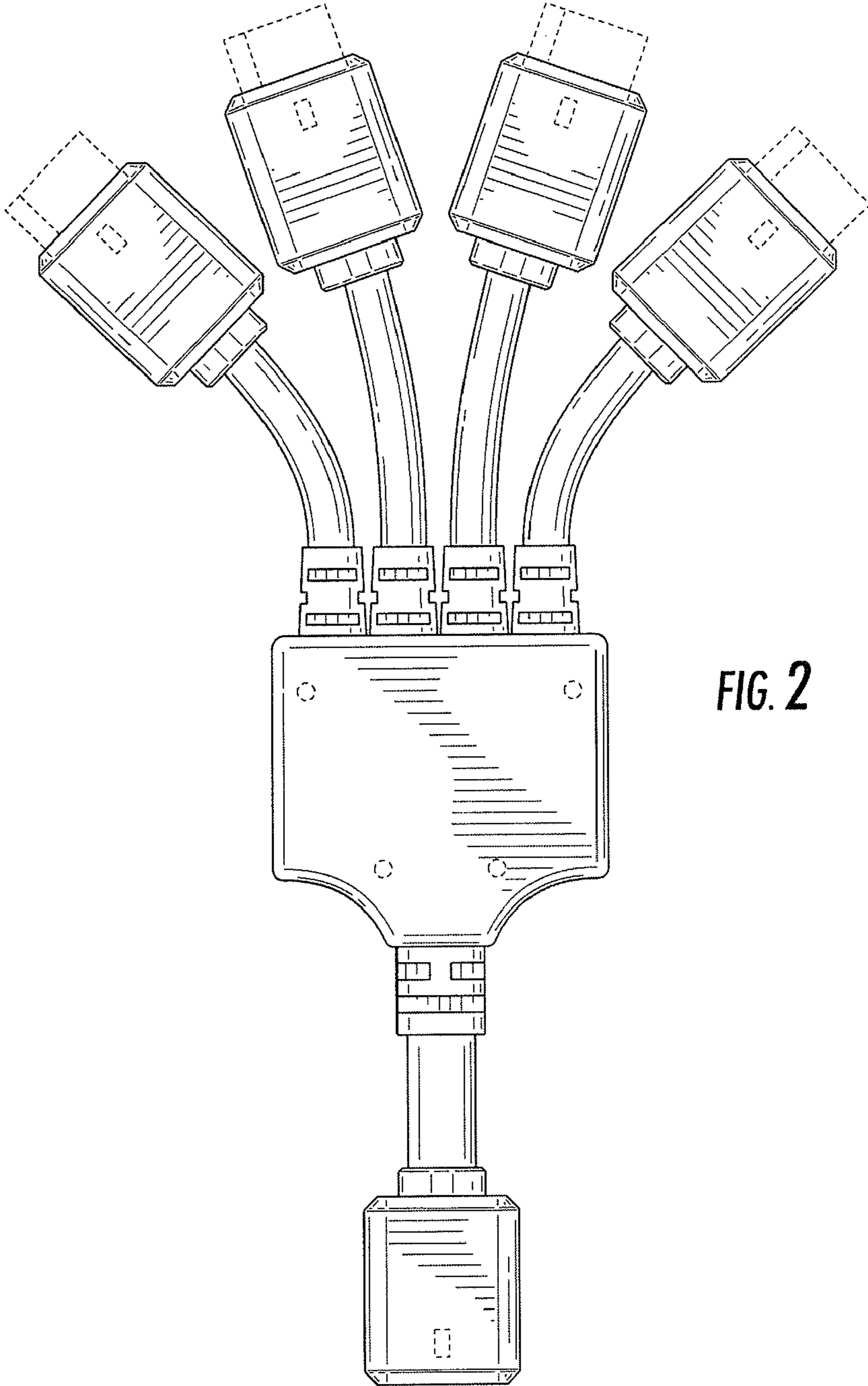


FIG. 2

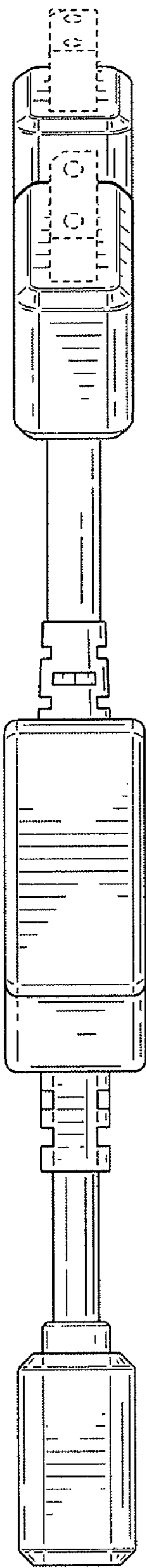


FIG. 3

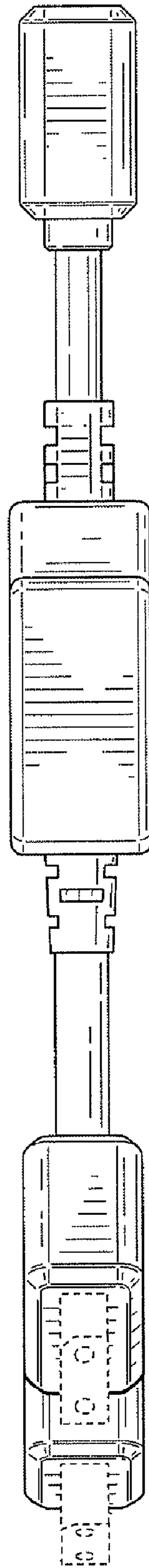


FIG. 4

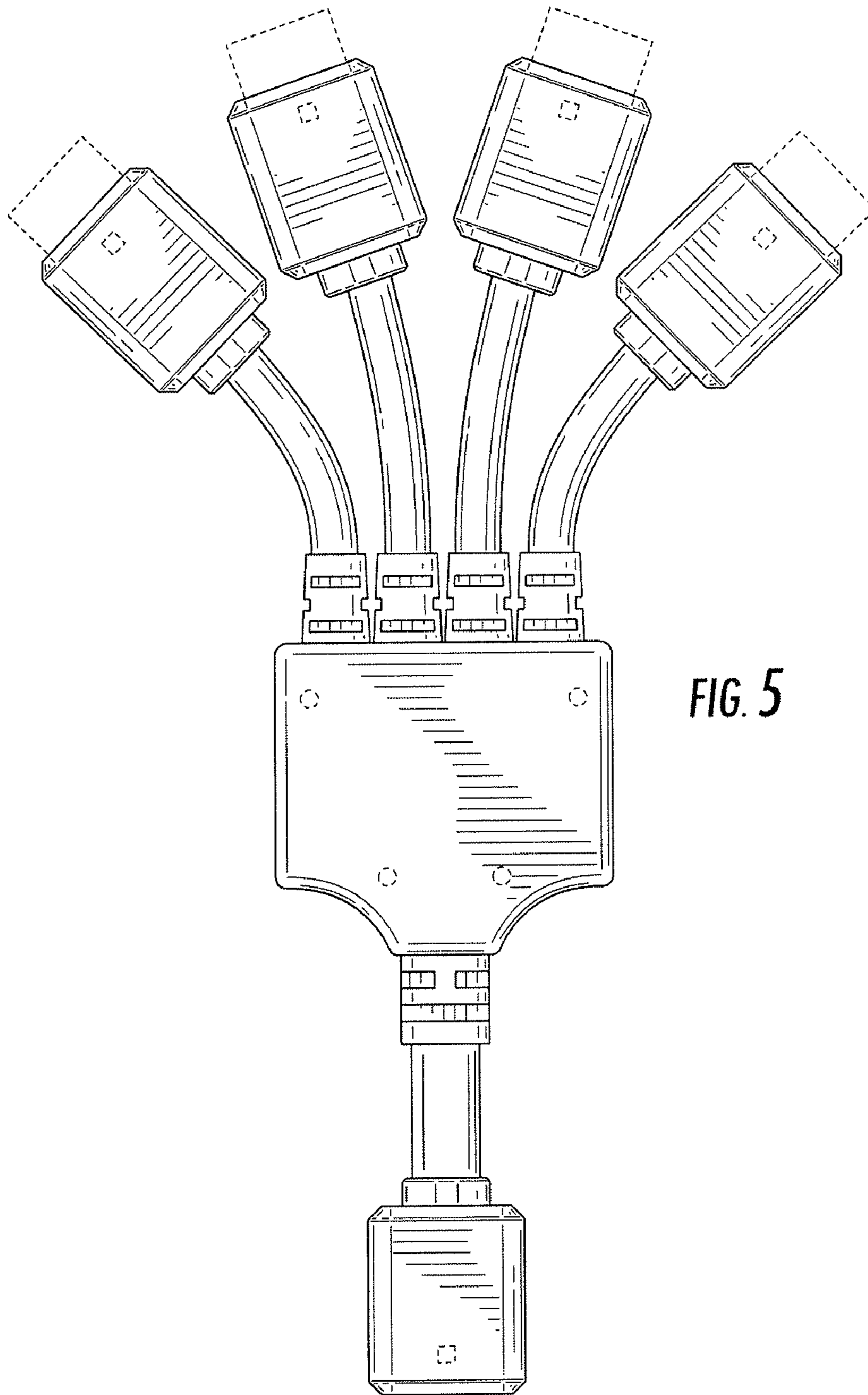
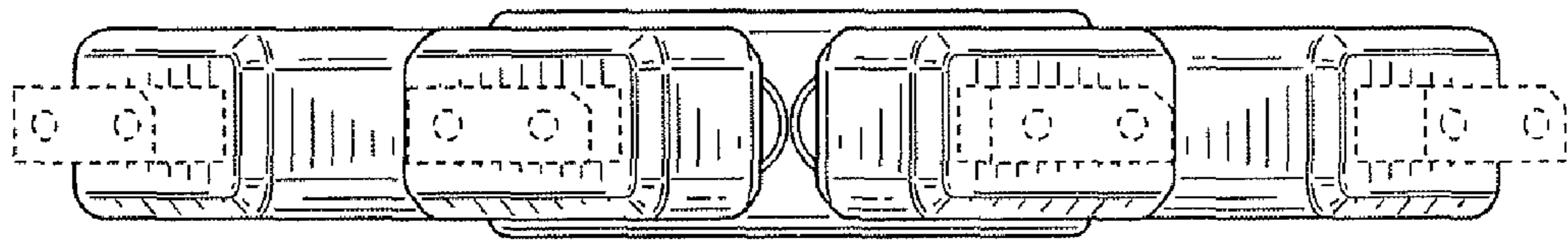
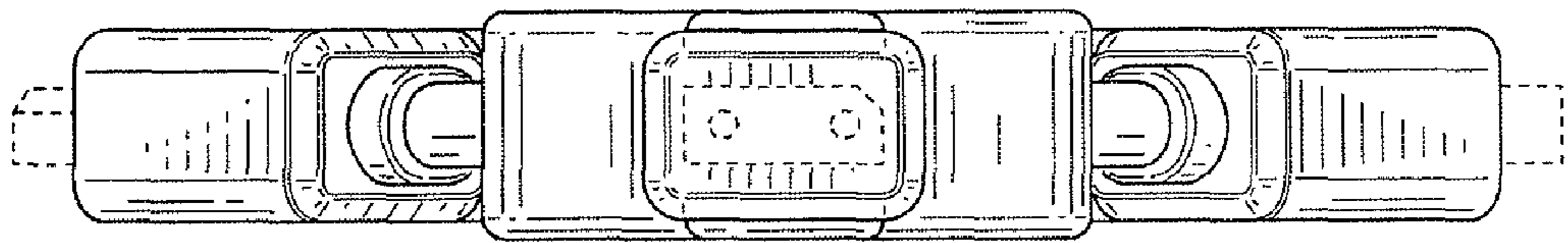


FIG. 5



**FIG. 6**



**FIG. 7**