



US00D635929S

(12) **United States Design Patent**  
**Kawakami et al.**

(10) **Patent No.:** **US D635,929 S**

(45) **Date of Patent:** **\*\* Apr. 12, 2011**

(54) **ELECTRICAL CONNECTOR**

(75) Inventors: **Yuta Kawakami**, Yao (JP); **Takayuki Nagata**, Yao (JP)

(73) Assignee: **Hosiden Corporation**, Yao-shi (JP)

(\*\*) Term: **14 Years**

(21) Appl. No.: **29/376,380**

(22) Filed: **Oct. 6, 2010**

(30) **Foreign Application Priority Data**

Apr. 7, 2010 (JP) ..... 2010-008695

(51) **LOC (9) Cl.** ..... **13-03**

(52) **U.S. Cl.** ..... **D13/147**

(58) **Field of Classification Search** ..... D13/133,  
D13/146-147, 153, 154, 156, 184; 439/79,  
439/248, 258, 274, 350, 353, 358, 447, 476.1,  
439/607.01, 607.04, 607.05, 607.17, 607.25,  
439/607.34, 607.41, 607.53, 660, 668, 680

See application file for complete search history.

(56) **References Cited**

U.S. PATENT DOCUMENTS

D344,491 S *	2/1994	Nakamura	.....	D13/147
D406,563 S *	3/1999	Kuo	.....	D13/147
D619,540 S *	7/2010	Victor	.....	D13/154
2005/0181670 A1 *	8/2005	Kumamoto et al.	.....	439/607

\* cited by examiner

*Primary Examiner* — Daniel D Bui

(74) *Attorney, Agent, or Firm* — Rankin, Hill & Clark LLP

(57) **CLAIM**

The ornamental design for an electrical connector, as shown and described.

**DESCRIPTION**

FIG. 1 is a front, top and right side perspective view of an electrical connector showing our new design; FIG. 2 is a rear, top and left side perspective view thereof; FIG. 3 is a front elevation view thereof; FIG. 4 is a rear elevation view thereof; FIG. 5 is a left side elevation view thereof, a right side elevation view being a mirror image thereof; FIG. 6 is a top plan view thereof; and, FIG. 7 is a bottom plan view thereof. The broken line portion of the figure drawings is included to show unclaimed subject matter only and forms no part of the claimed design.

**1 Claim, 3 Drawing Sheets**

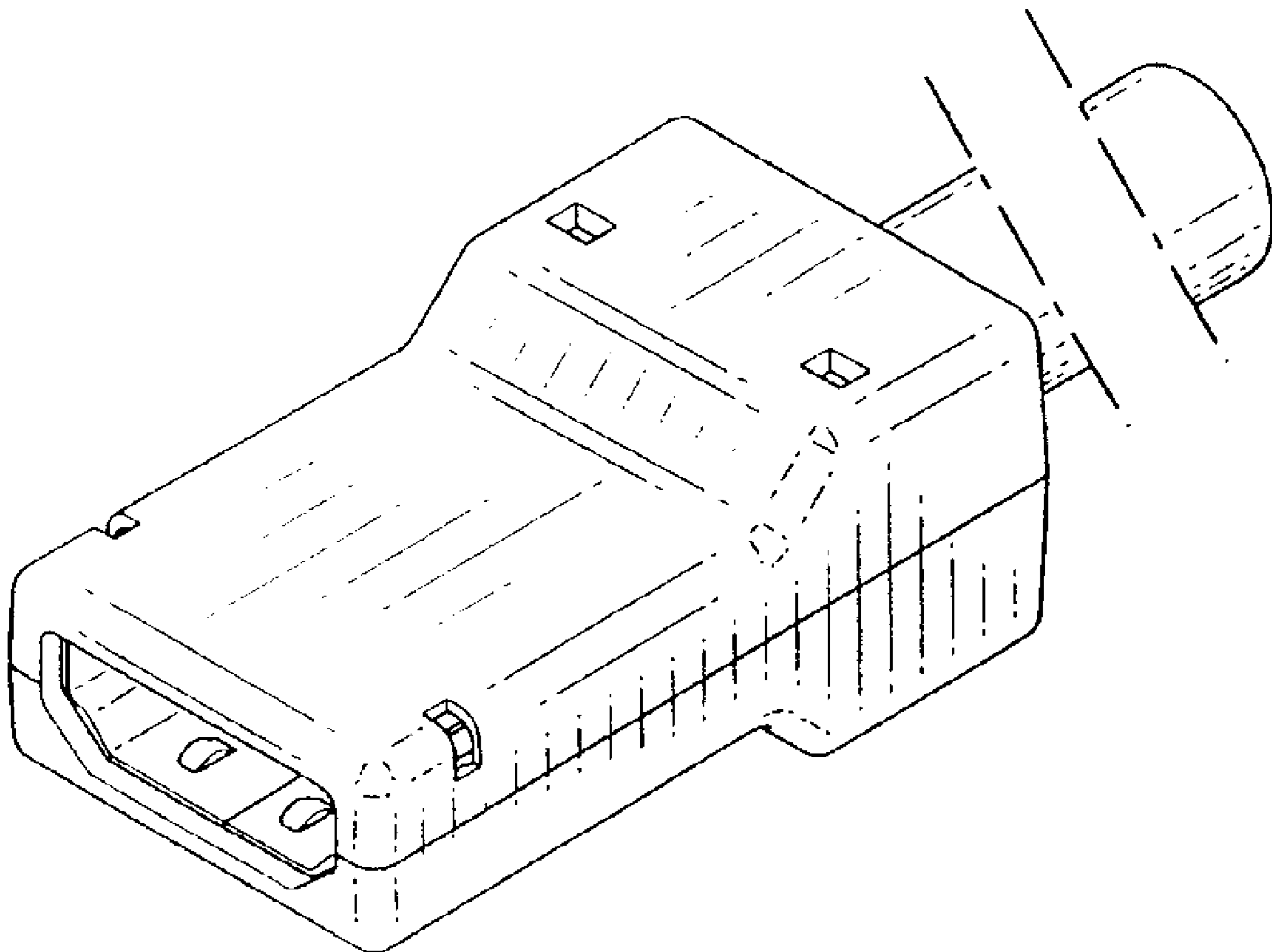


Fig. 1

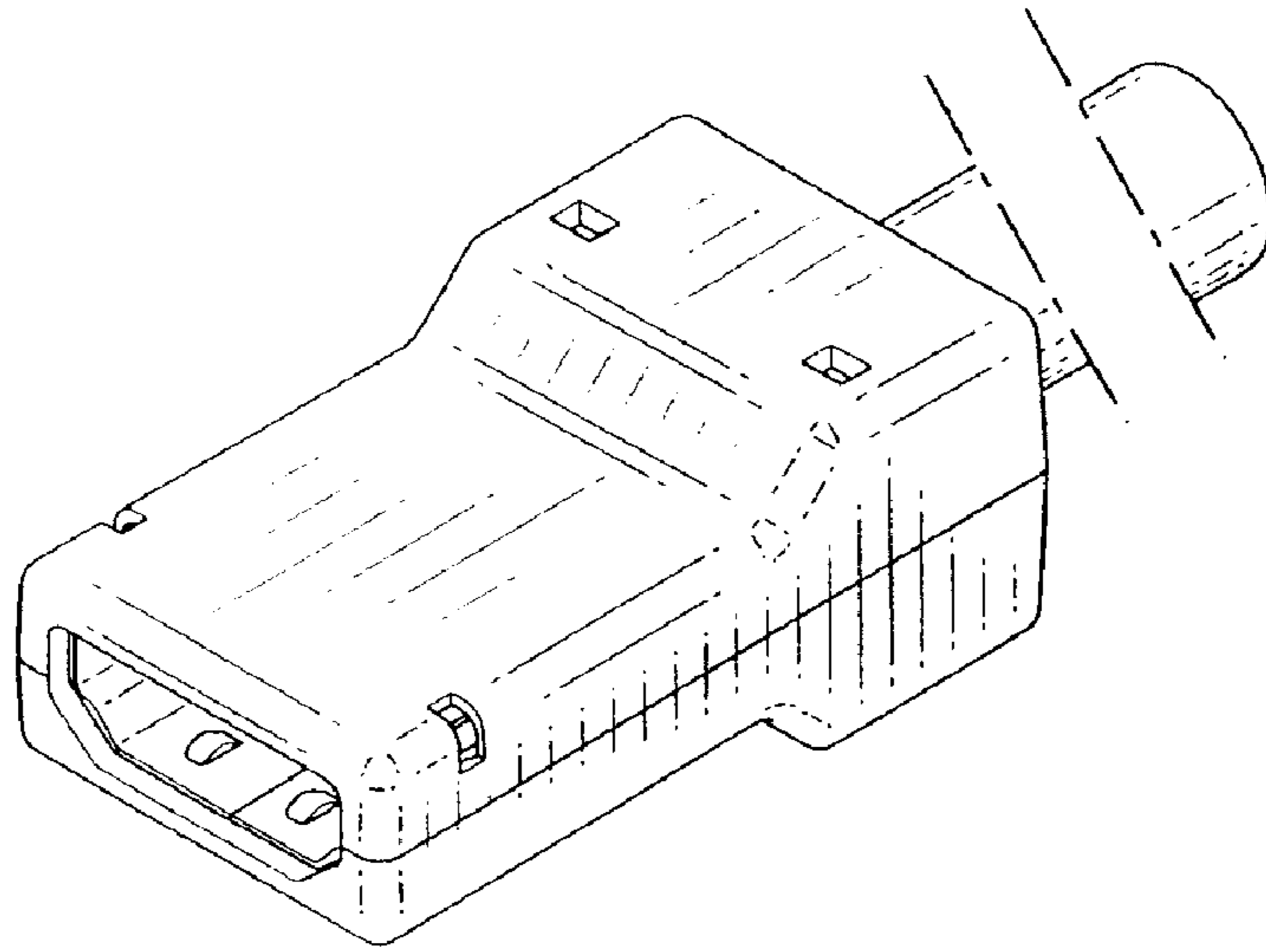


Fig. 2

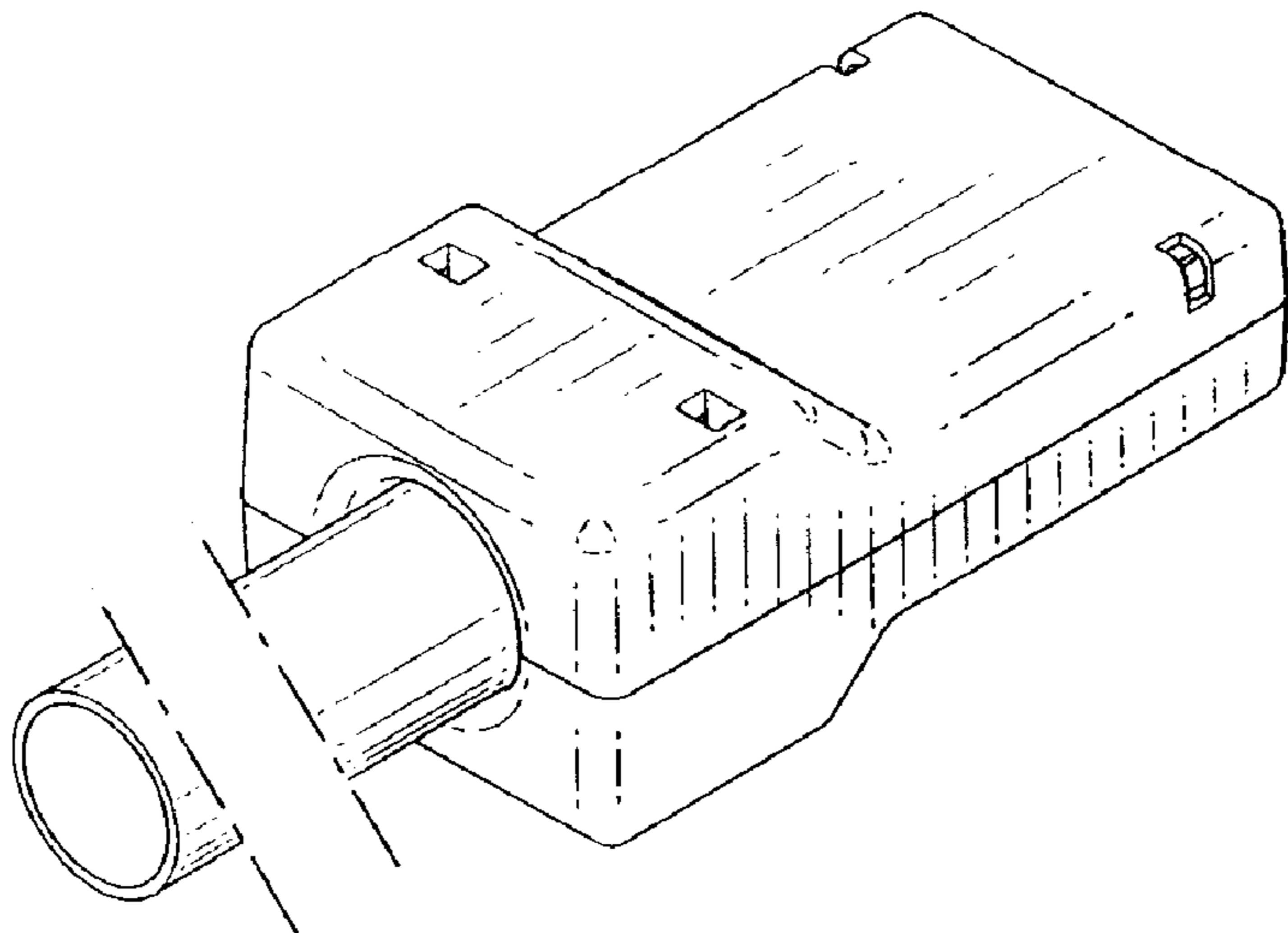


Fig. 3

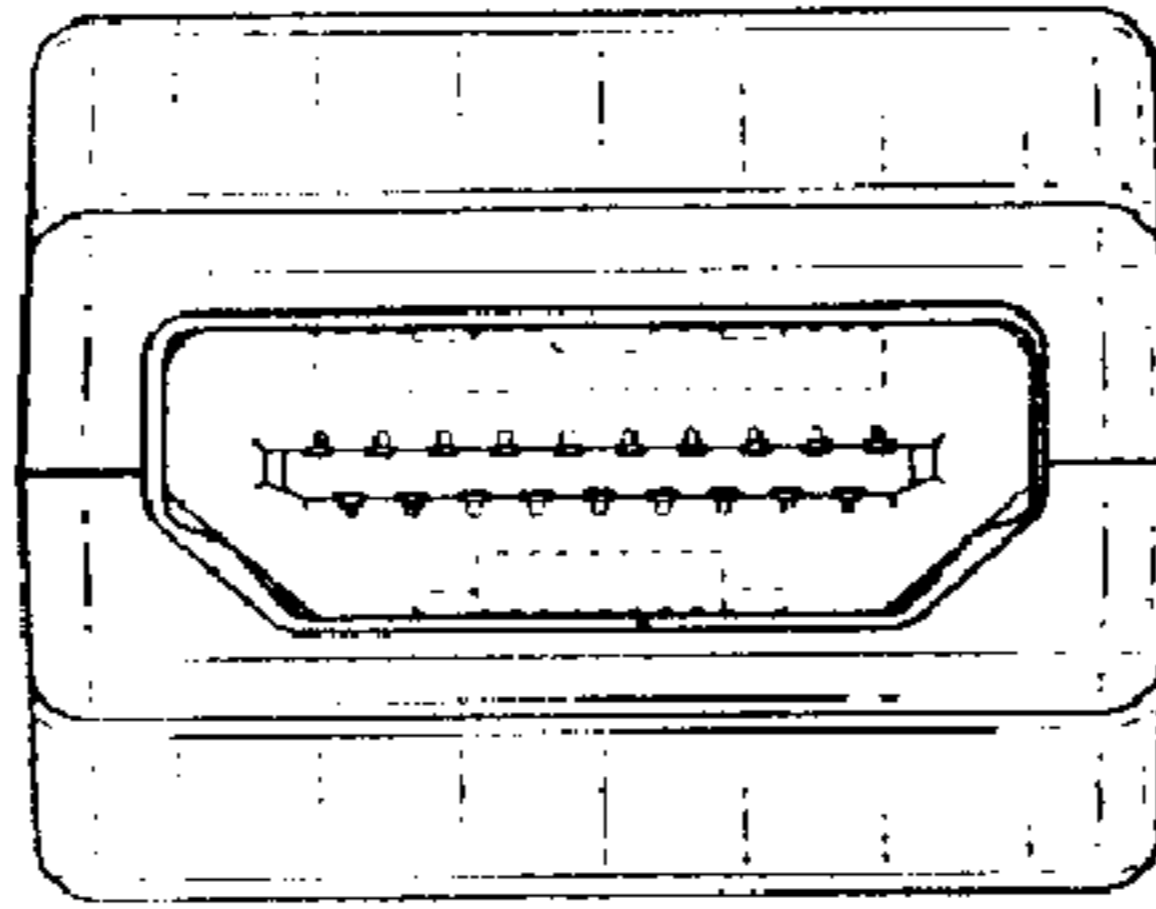


Fig. 4

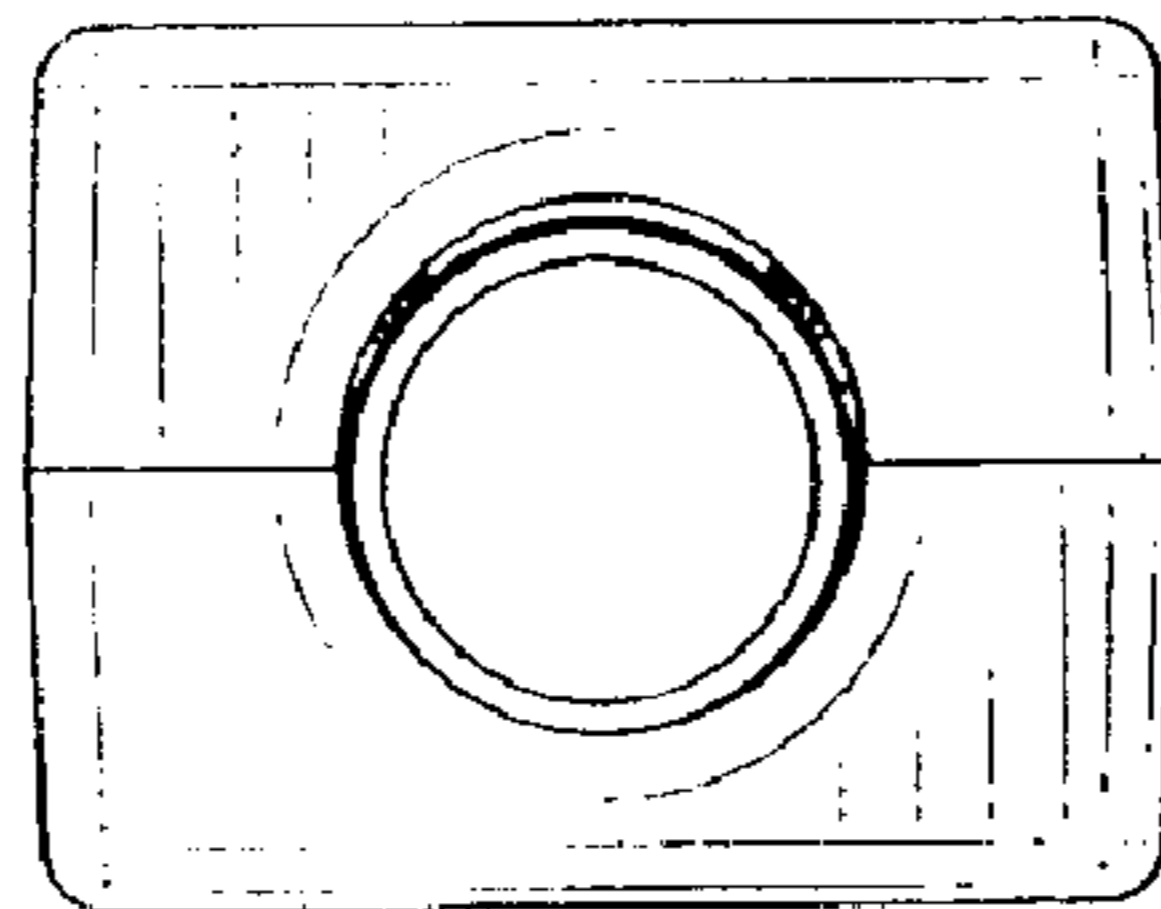


Fig. 5

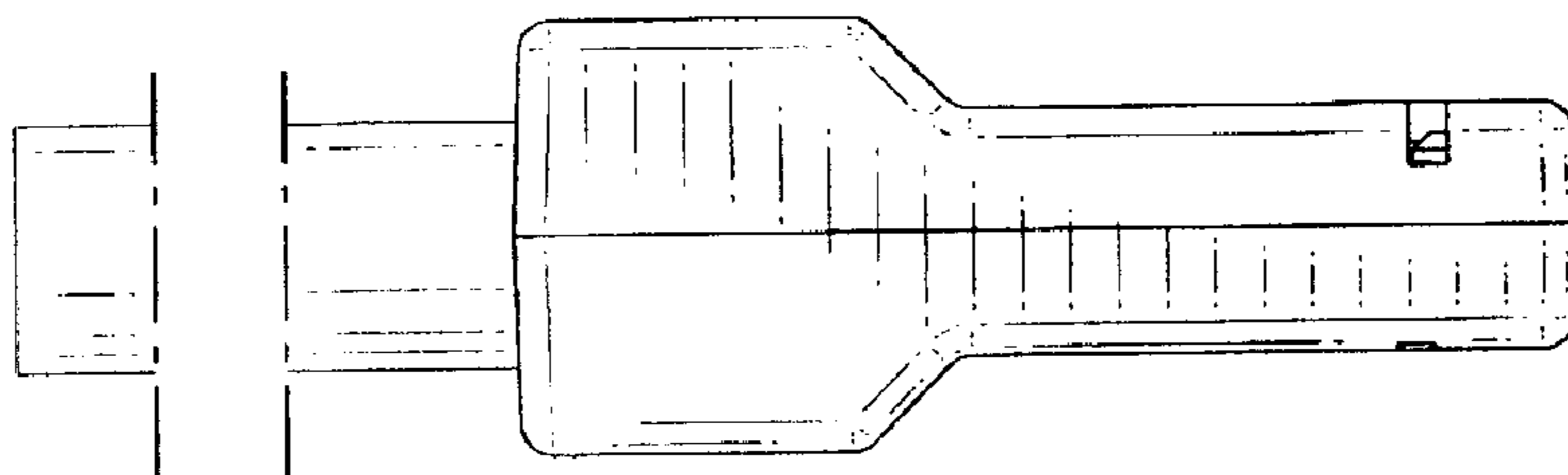


Fig. 6

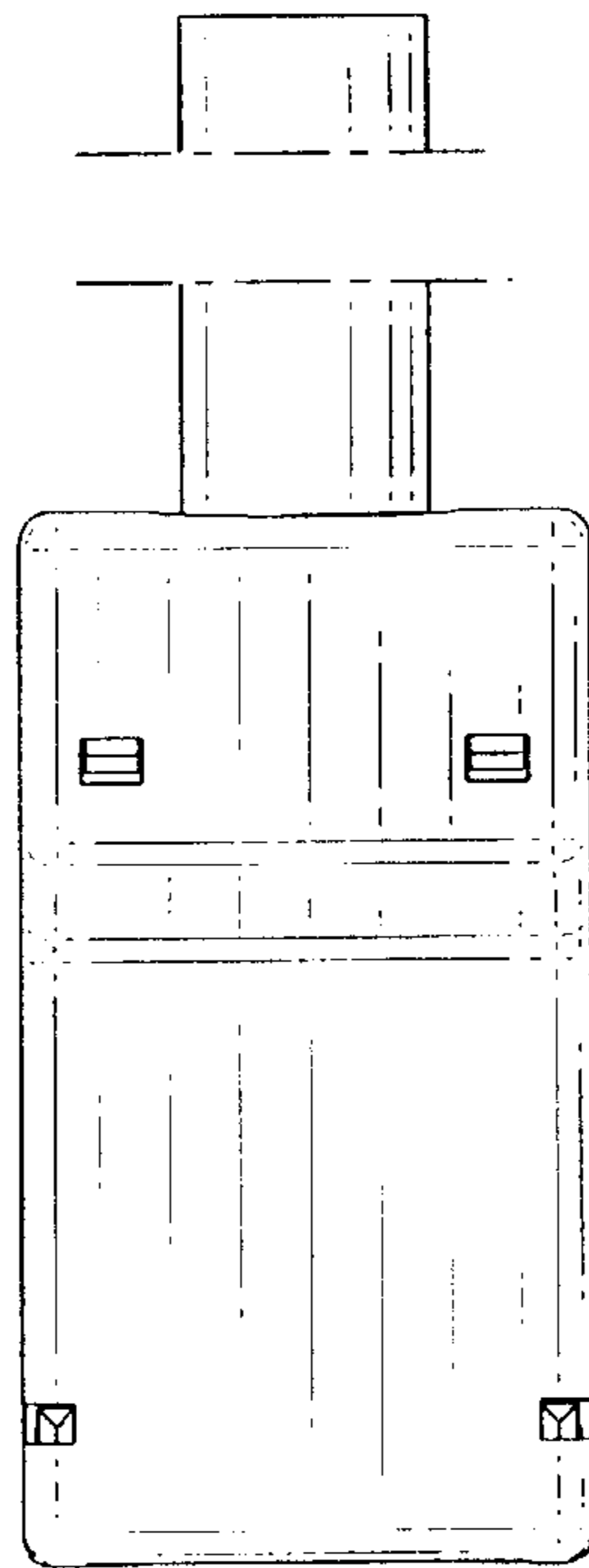


Fig. 7

